



US00D938120S

(12) **United States Design Patent** (10) **Patent No.:** **US D938,120 S**
Gou (45) **Date of Patent:** **** Dec. 7, 2021**

(54) **CLEANING DEVICE FOR SOLDERING TIPS**
(71) Applicant: **Guangzhou Yihua Electronic Equipment Co., Ltd., Guangdong (CN)**
(72) Inventor: **Mingkang Gou, Guangdong (CN)**
(73) Assignee: **Guangzhou Yihua Electronic Equipment Co., Ltd., Guangdong (CN)**
(**) Term: **15 Years**

D318,545 S * 7/1991 Calnin D32/35
D319,119 S * 8/1991 Calnin D32/35
D322,696 S * 12/1991 Redwine D32/35
D349,794 S * 8/1994 Hayes, Jr. D28/63
D360,719 S * 7/1995 Ring D32/35
D361,595 S * 8/1995 Ramsey D19/108
D389,620 S * 1/1998 Yang D32/35
D545,514 S * 6/2007 Jaricot D32/35
D568,566 S * 5/2008 Gabbour D32/40
D765,328 S * 8/2016 Brown D32/40
D787,143 S * 5/2017 Ishibashi D32/40
D813,634 S * 3/2018 Umbrell D8/70
D822,926 S * 7/2018 Ishibashi D32/40

(21) Appl. No.: **29/748,328**

* cited by examiner

(22) Filed: **Aug. 28, 2020**

Primary Examiner — John R Yeh

(51) **LOC (13) Cl.** **15-05**

(74) *Attorney, Agent, or Firm* — Lucas & Mercanti, LLP

(52) **U.S. Cl.**
USPC **D32/35**

(57) **CLAIM**

(58) **Field of Classification Search**
USPC D32/1, 14, 15-16, 19, 25, 35, 40-43;
D8/62

The ornamental design for a cleaning device for soldering tips, as shown and described.

CPC B08B 3/02; B24B 23/02
See application file for complete search history.

DESCRIPTION

(56) **References Cited**

U.S. PATENT DOCUMENTS

2,336,357 A * 12/1943 Hixson B65D 35/36
601/154
2,425,966 A * 8/1947 Tjomsland A63B 67/14
473/588
3,075,222 A * 1/1963 Miller A47L 11/164
15/209.1
4,566,148 A * 1/1986 Rolin B44D 3/128
15/257.05
D311,078 S * 10/1990 Holladay D30/155

FIG. 1 is a top, front, right side perspective view of the cleaning device for soldering tips;
FIG. 2 is a top, front, left side perspective view thereof;
FIG. 3 is a left side view thereof;
FIG. 4 is a right side view thereof;
FIG. 5 is a top view thereof;
FIG. 6 is a bottom view thereof;
FIG. 7 is a front view thereof; and,
FIG. 8 is a rear view thereof.

The broken lines depict portions of the cleaning device for soldering tips that form no part of the claimed design.

1 Claim, 4 Drawing Sheets

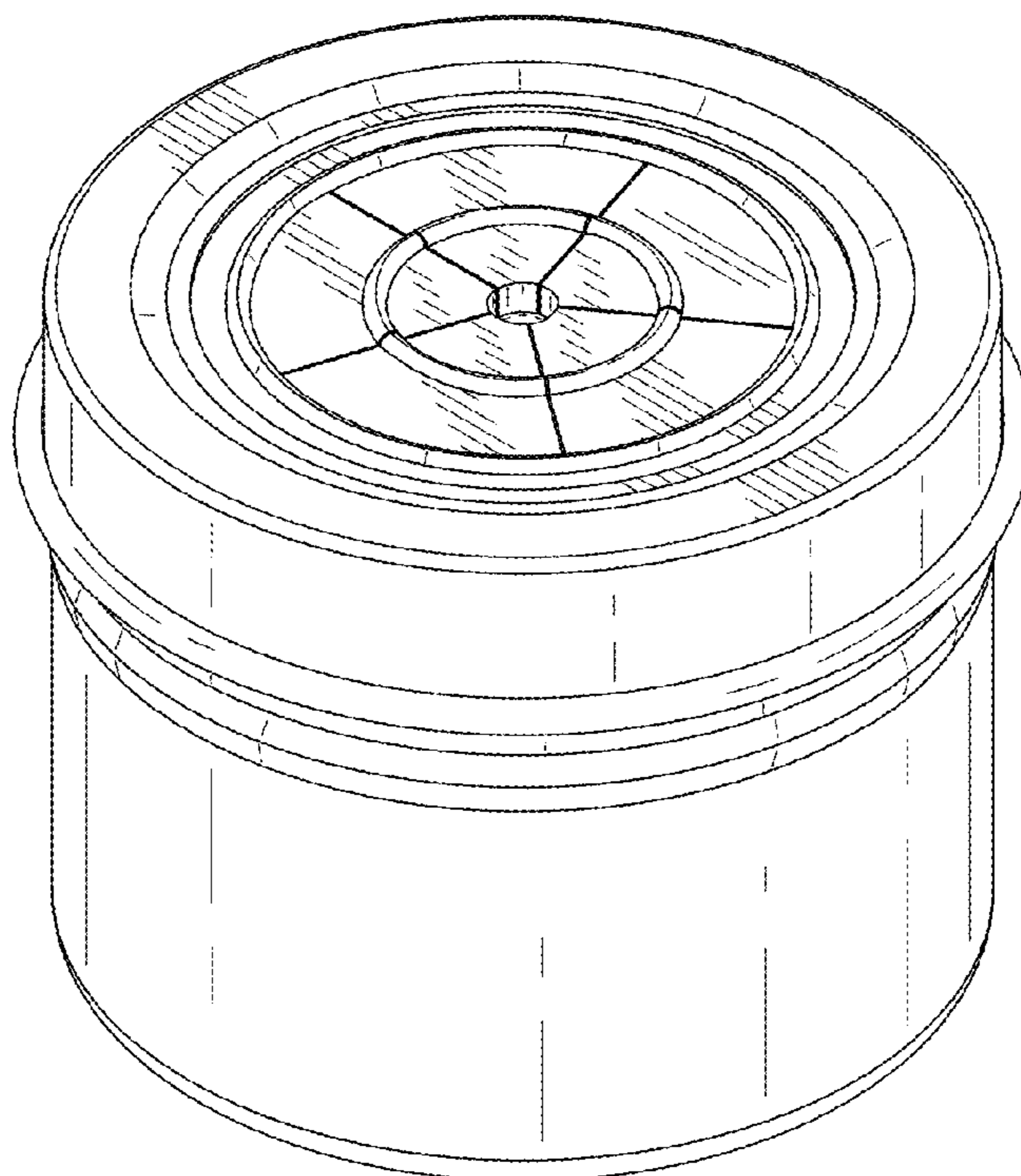


FIG. 1

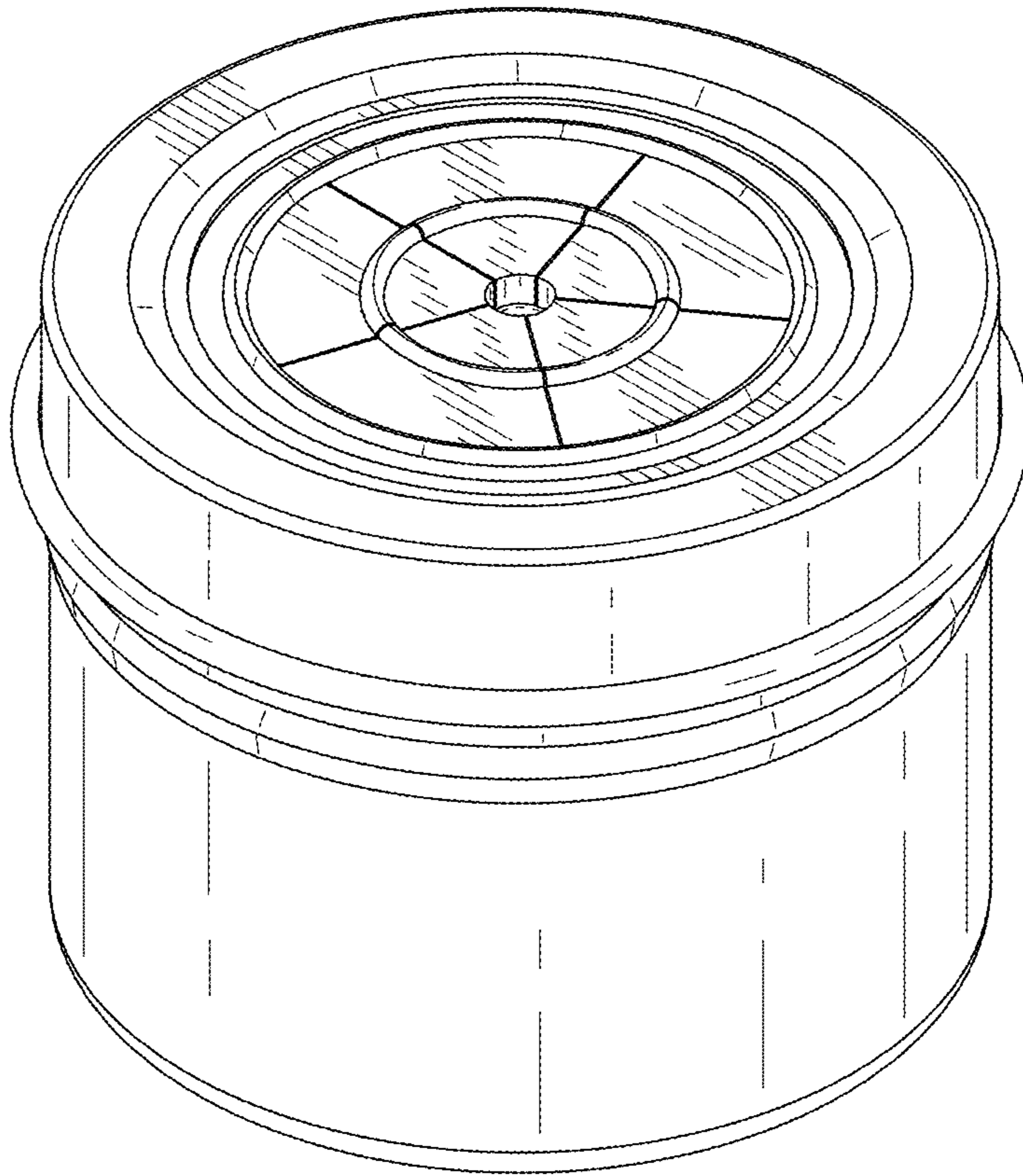
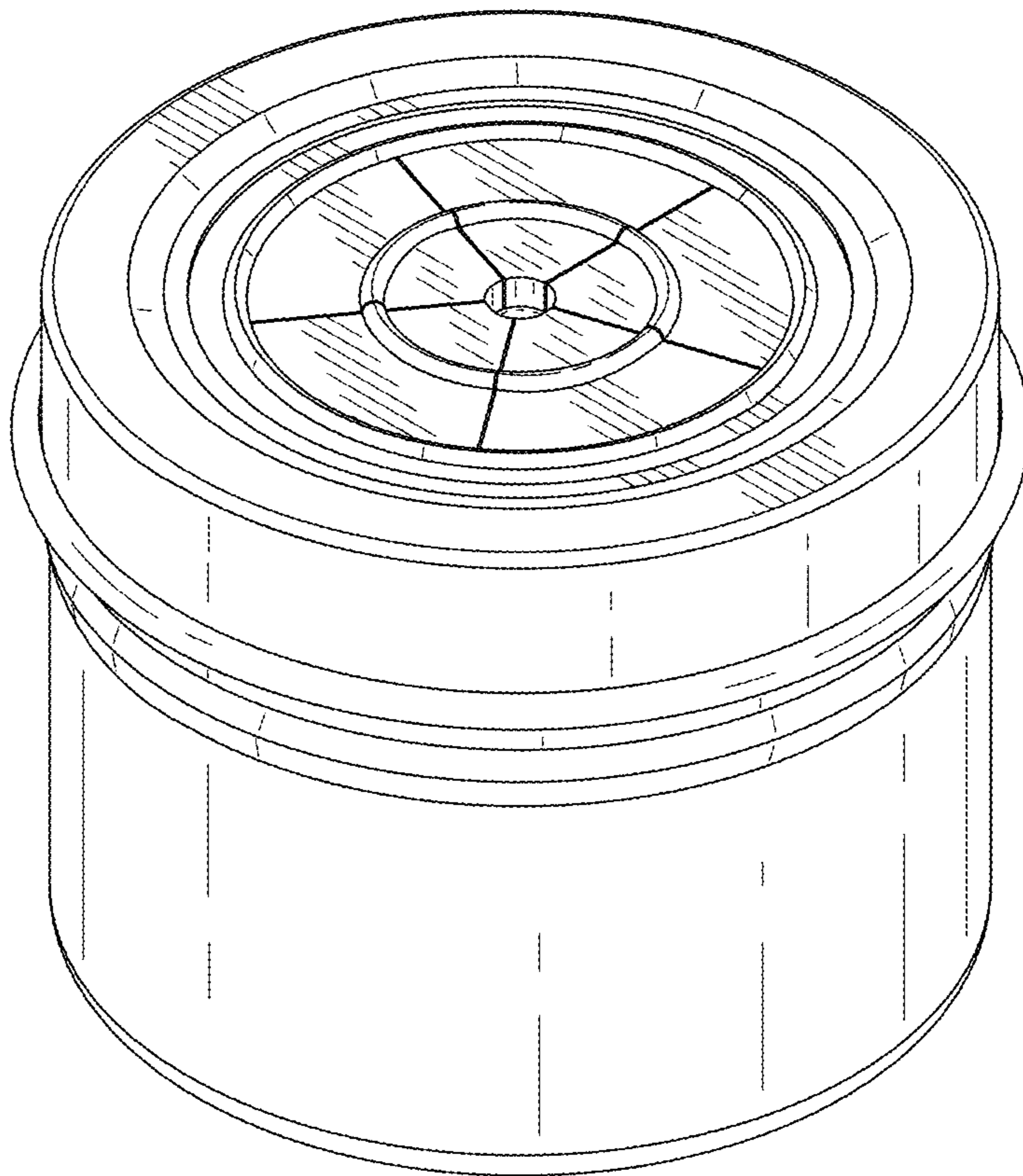


FIG. 2



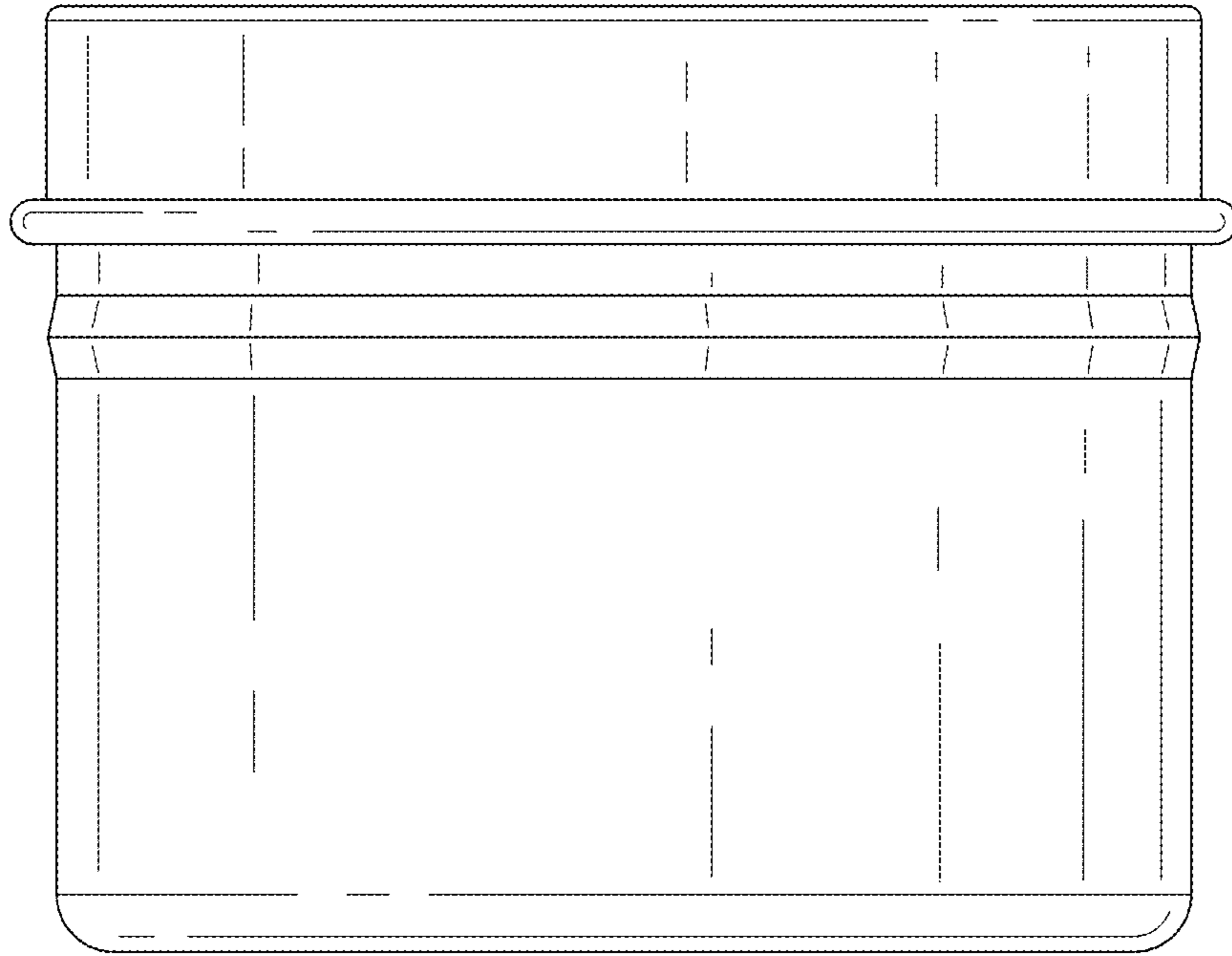


FIG. 3

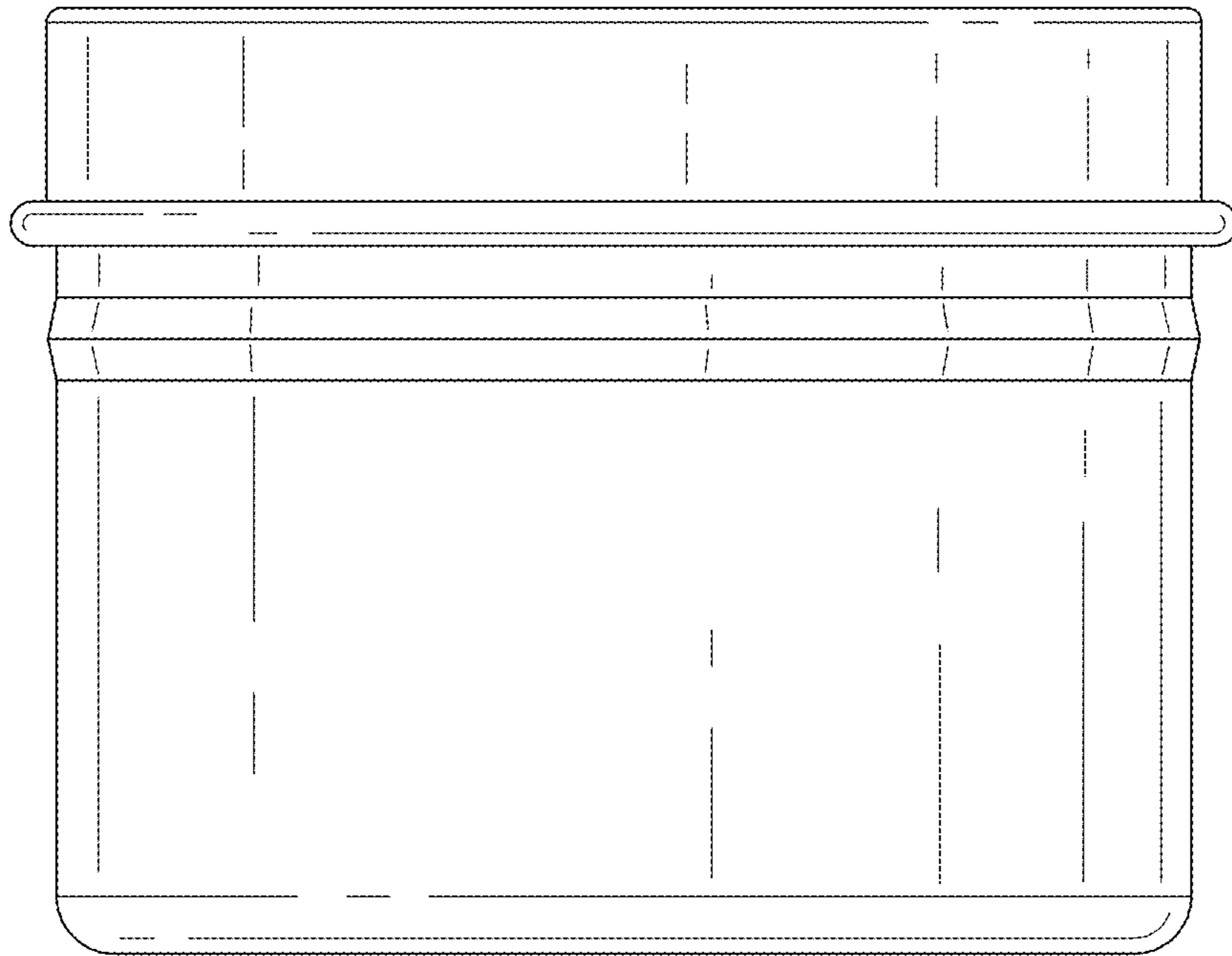


FIG. 4

FIG. 5

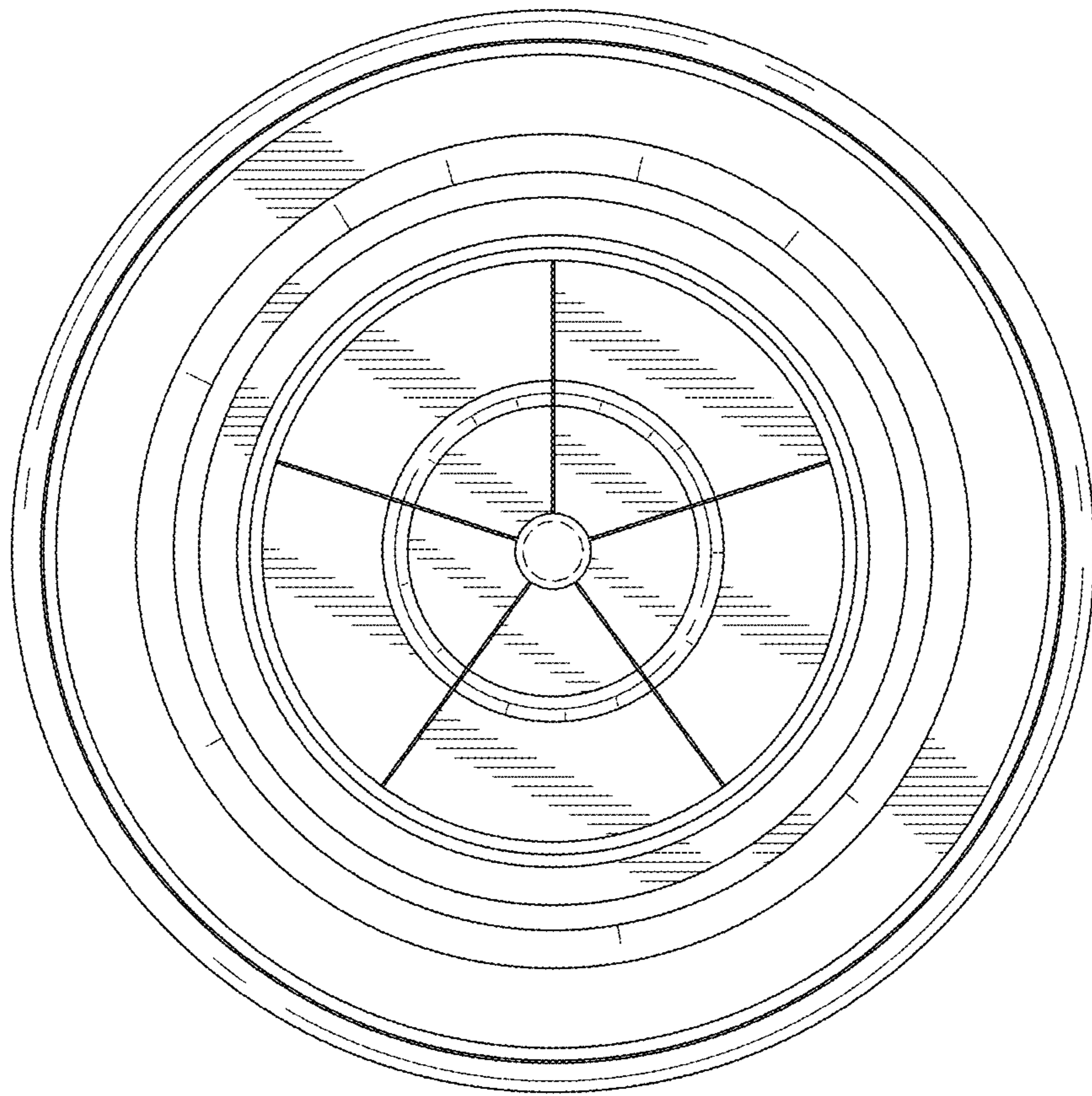
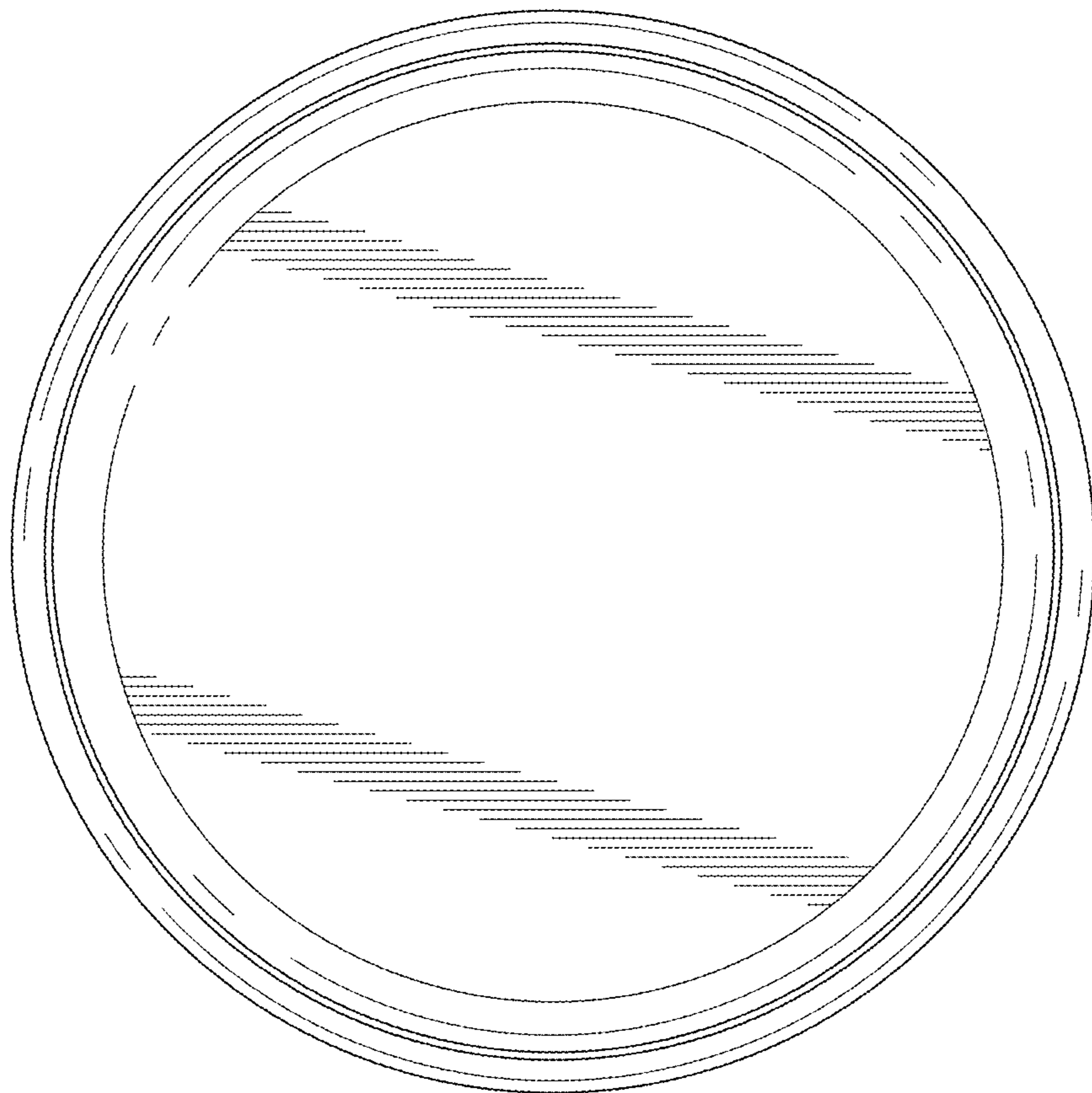


FIG. 6



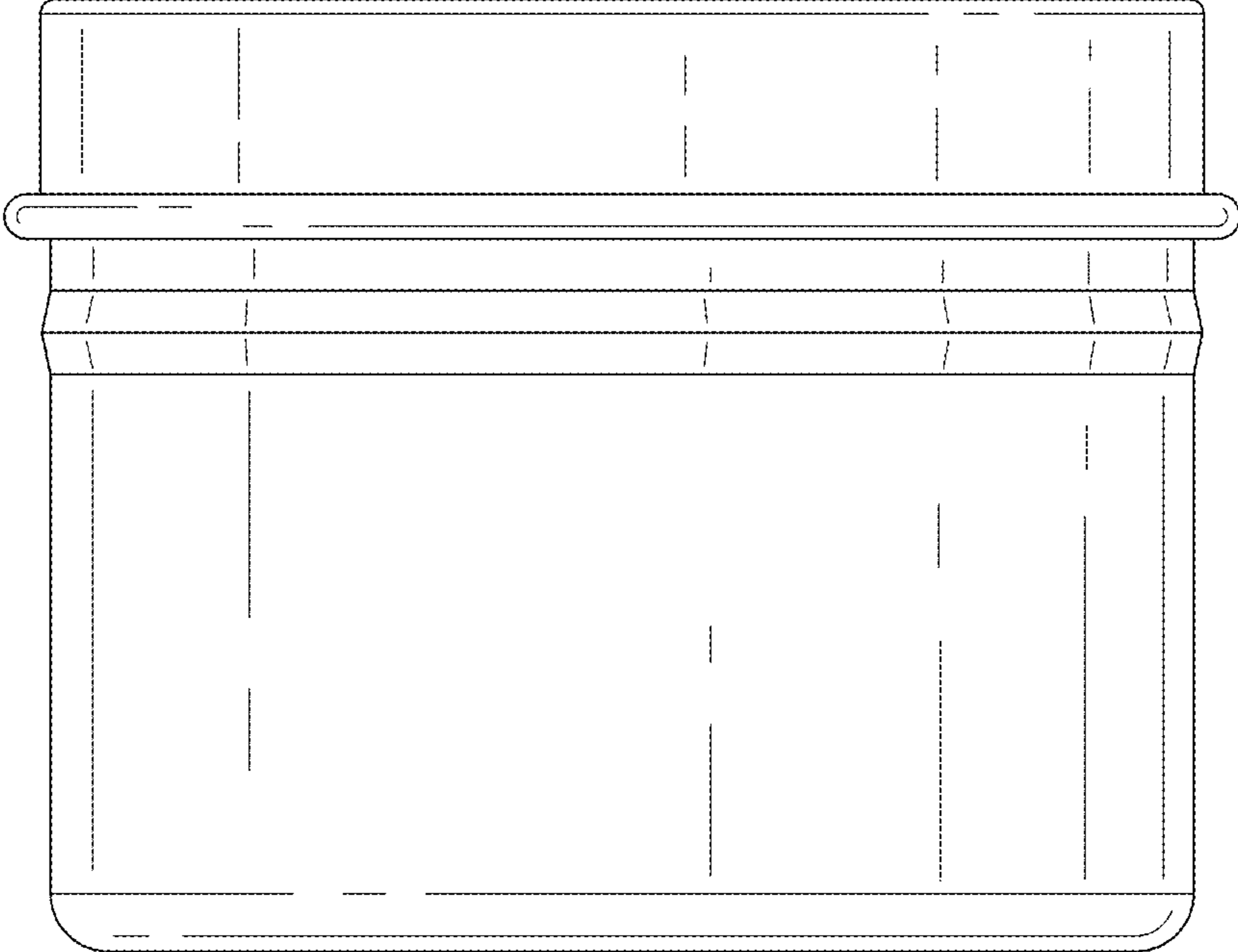


FIG. 7

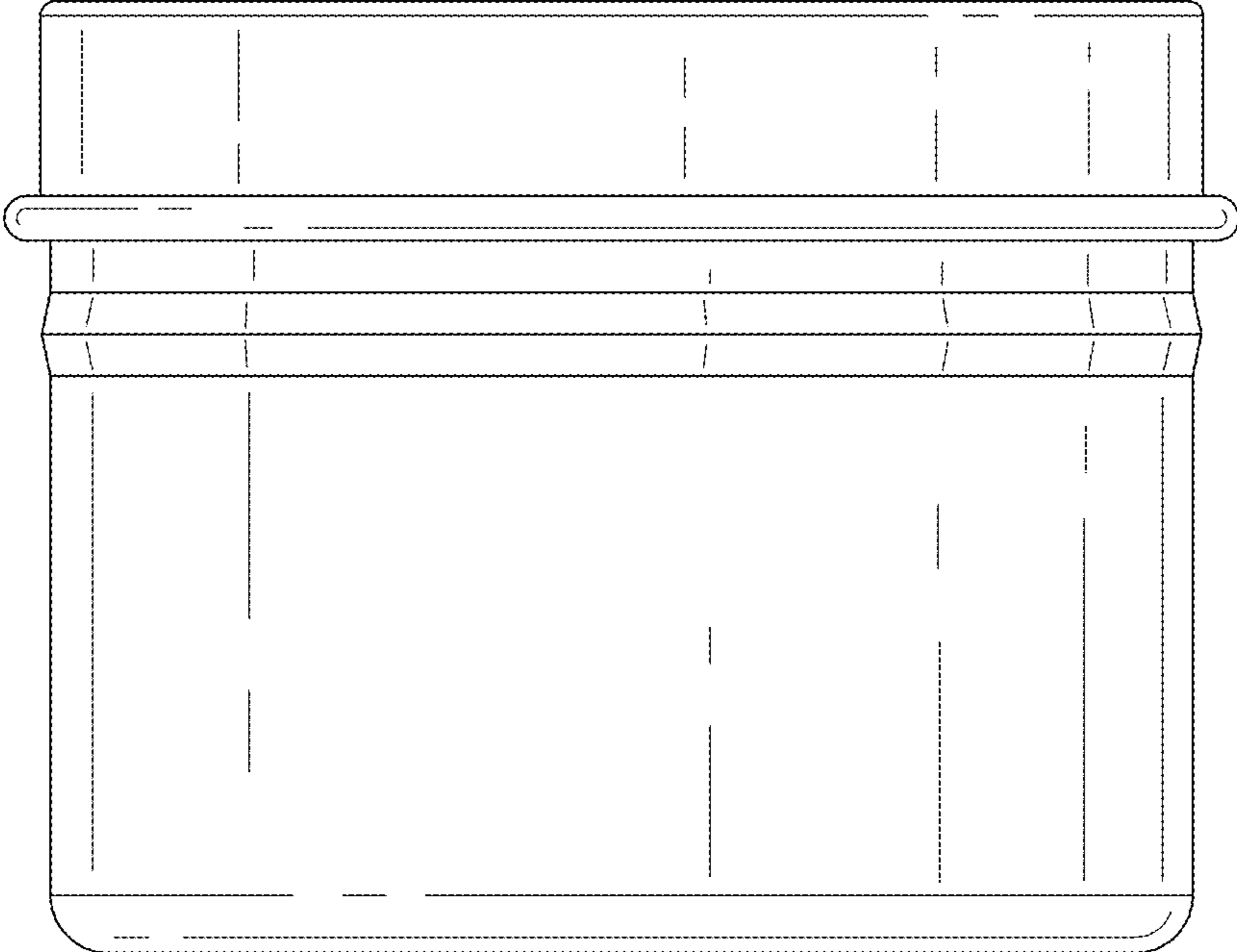


FIG. 8