



US00D938119S

(12) **United States Design Patent**
Lapalme

(10) **Patent No.:** **US D938,119 S**

(45) **Date of Patent:** **** Dec. 7, 2021**

(54) **COMBINATION POOL SKIMMER**

(71) Applicant: **CPA POOL PRODUCTS, INC.**,
Blainville (CA)

(72) Inventor: **Amiel Lapalme**, Montreal (CA)

(73) Assignee: **CPA POOL PRODUCTS, INC.**,
Blainville (CA)

(**) Term: **15 Years**

(21) Appl. No.: **29/703,155**

(22) Filed: **Aug. 24, 2019**

(51) **LOC (13) Cl.** **07-05**

(52) **U.S. Cl.**
USPC **D32/35**

(58) **Field of Classification Search**
USPC D4/116; D22/135; D23/209; D32/35,
D32/46
CPC B01D 23/04; B01D 29/27; B01D 29/111;
E04H 4/1609; A46B 7/00
See application file for complete search history.

(56) **References Cited**

U.S. PATENT DOCUMENTS

- 3,220,037 A * 11/1965 Ruhling E04H 4/1609
15/1.7
- 4,106,157 A * 8/1978 Baker A46B 7/00
16/438
- 4,198,720 A * 4/1980 Matsumoto E04H 4/1609
15/1.7
- 4,225,437 A * 9/1980 Woodard E04H 4/1609
15/1.7
- 4,481,117 A * 11/1984 Collins B01D 29/111
210/776
- D302,058 S * 7/1989 Brooks D32/35

(Continued)

OTHER PUBLICATIONS

Combination skimmer <https://www.walmart.com/ip/Mainstays-Combo-Leaf-Skimmer-and-Leaf-Rake-for-Swimming-Pools/809590136> (Year: 2020).*

(Continued)

Primary Examiner — Michelle E. Wilson

Assistant Examiner — Richard E Yenchesky

(74) *Attorney, Agent, or Firm* — Hodgson Russ LLP

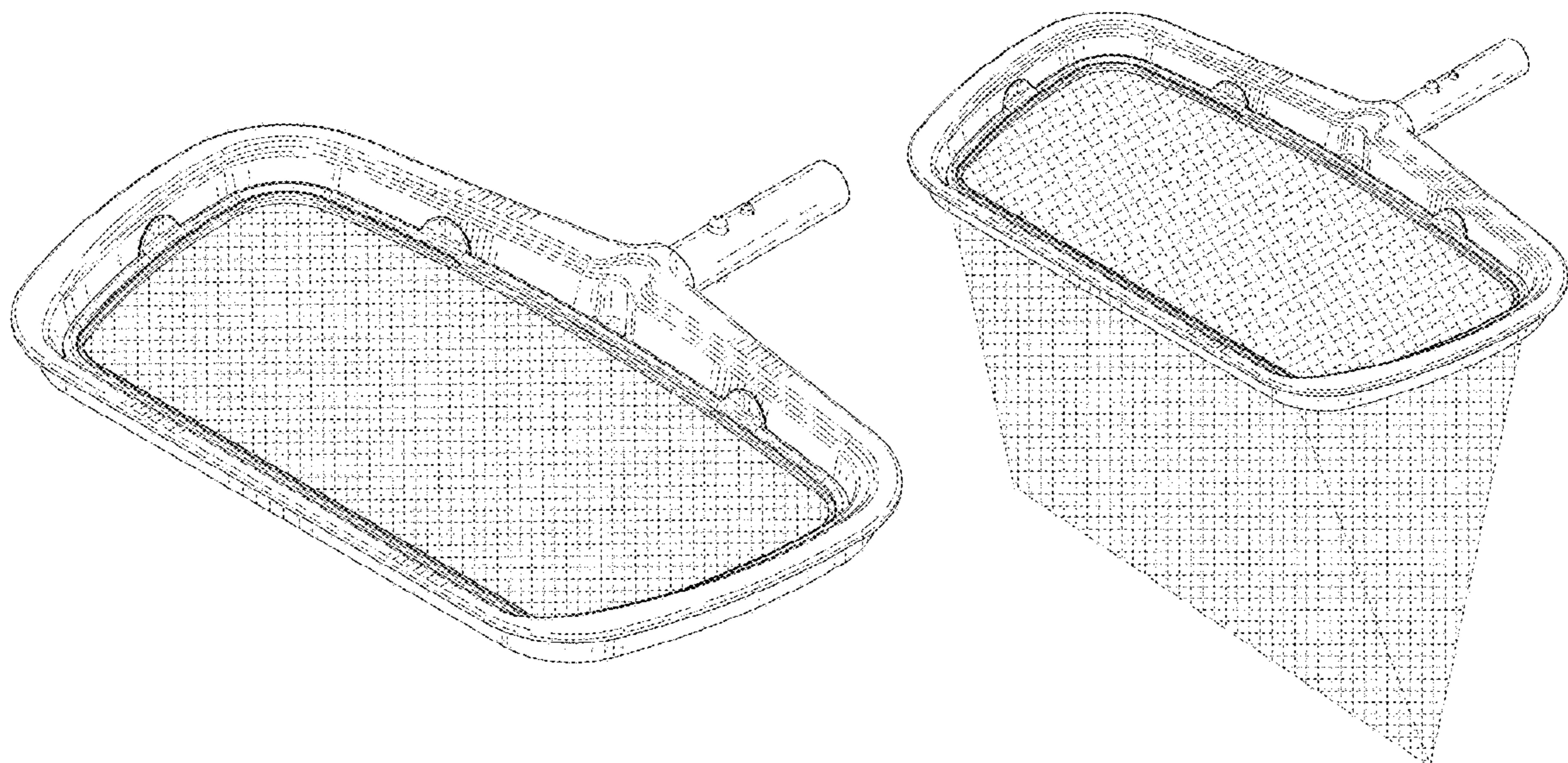
(57) **CLAIM**

The ornamental design for a combination pool skimmer, as shown and described.

DESCRIPTION

FIG. 1 is a top perspective view of a combination pool skimmer, showing my new design;
 FIG. 2 is a bottom perspective view thereof;
 FIG. 3 is a front elevation view thereof;
 FIG. 4 is a rear elevation view thereof;
 FIG. 5 is a right side elevation view thereof;
 FIG. 6 is a left side elevation view thereof;
 FIG. 7 a top plan view thereof;
 FIG. 8 is a bottom plan view thereof;
 FIG. 9 is a top perspective view thereof, showing the frame of the combination pool skimmer apart from the removable insert;
 FIG. 10 is a bottom perspective view thereof;
 FIG. 11 is a front elevation view thereof;
 FIG. 12 is a rear elevation view thereof;
 FIG. 13 is a right side elevation view thereof;
 FIG. 14 is a left side elevation view thereof;
 FIG. 15 a top plan view thereof;
 FIG. 16 is a bottom plan view thereof; and,
 FIG. 17 is a top perspective view thereof, showing the frame of the combination pool skimmer with an alternative removable insert.
 The broken lines in the figures illustrate portions of the combination pool skimmer that form no part of the claimed design.

1 Claim, 13 Drawing Sheets



(56)

References Cited

U.S. PATENT DOCUMENTS

4,846,972 A * 7/1989 Anderson E04H 4/1609
210/238
D330,444 S * 10/1992 Wall D22/135
6,302,277 B1 * 10/2001 Resh B01D 29/27
15/1.7
D488,602 S * 4/2004 Pecci D32/35
D492,825 S * 7/2004 Pecci D32/35
D628,350 S * 11/2010 Rossano D32/35
D638,182 S * 5/2011 Rossano D32/35
D638,183 S * 5/2011 Rossano D32/35
D668,053 S * 10/2012 Cummings D4/116
8,679,329 B2 * 3/2014 Vreeland B01D 23/04
210/164

D814,728 S * 4/2018 Duve D32/46
D824,619 S * 7/2018 Weiss D32/35
D827,238 S * 8/2018 Larouche D32/35
D832,540 S * 10/2018 Larouche D32/35
D867,706 S * 11/2019 Maenza D32/46
D868,206 S * 11/2019 Carriere D23/209
D872,404 S * 1/2020 Shurtleff D32/46
D902,342 S * 11/2020 Xu D22/135
D912,350 S * 3/2021 Speak D32/35

OTHER PUBLICATIONS

Upgraded pool skimmer net [https://www.amazon.com/Another-
Upgraded-Skimmer-Cleaning-Swimming/dp/B08DF8XPYR](https://www.amazon.com/Another-Upgraded-Skimmer-Cleaning-Swimming/dp/B08DF8XPYR) (Year:
2020).*

* cited by examiner

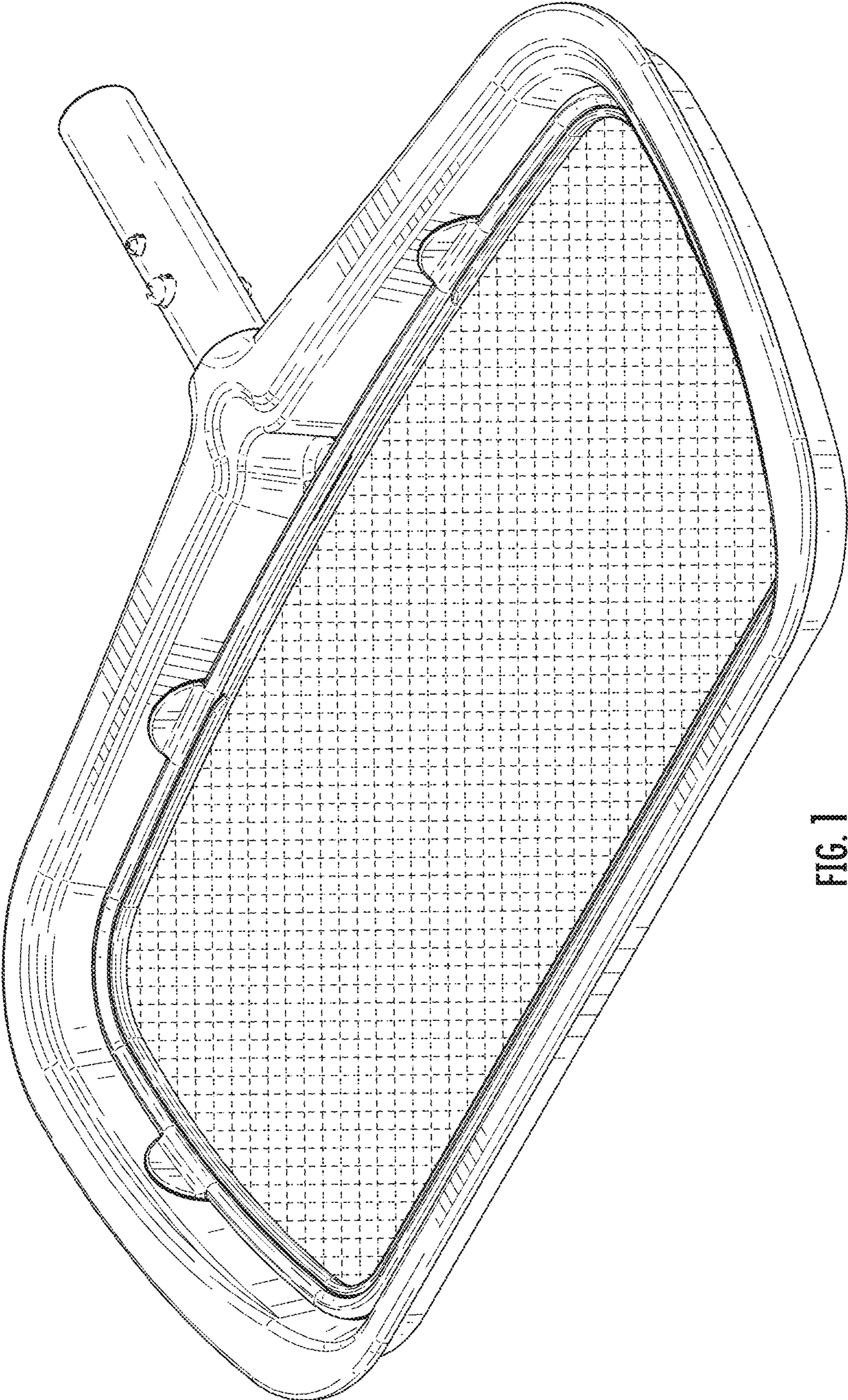


FIG. 1

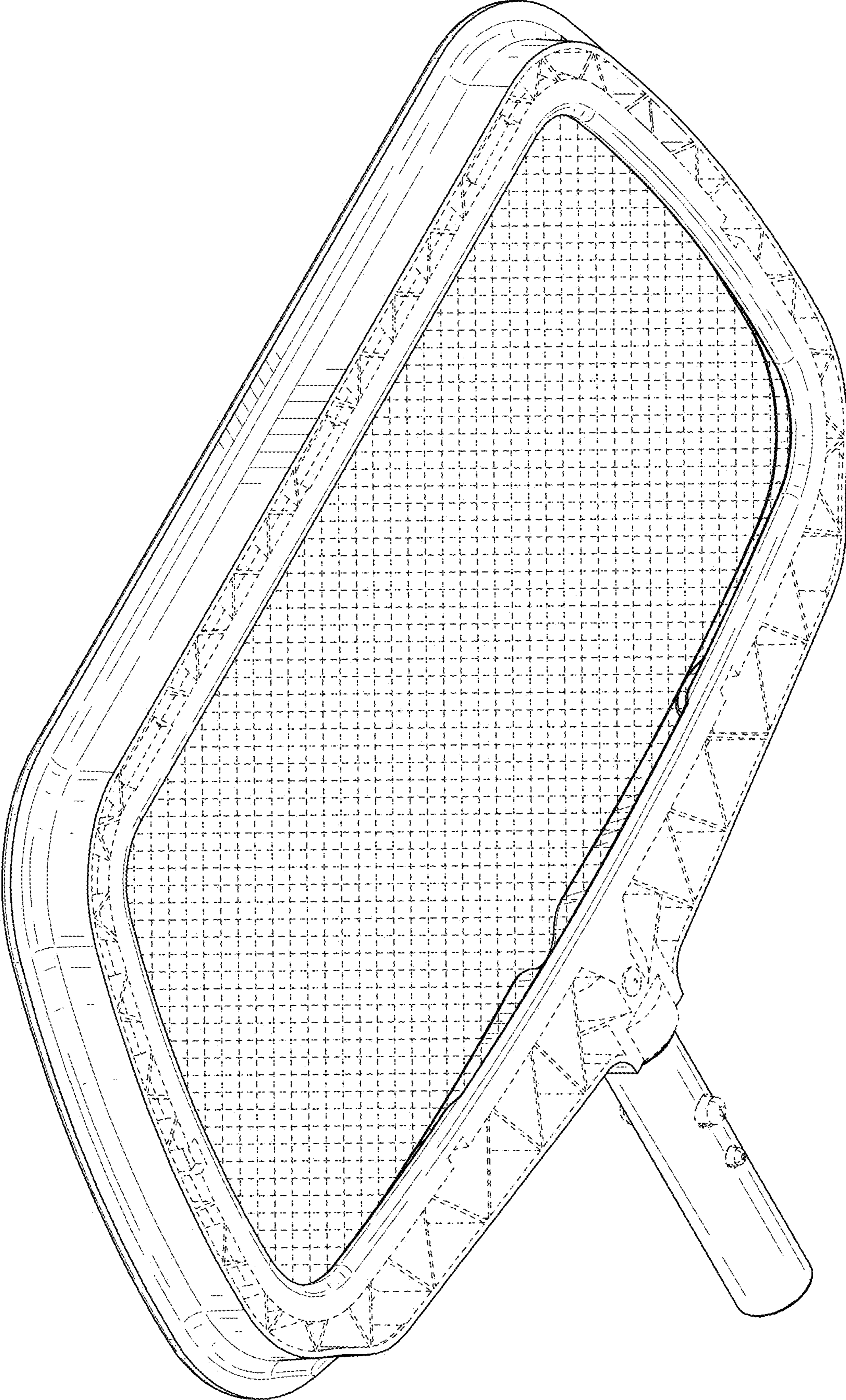


FIG. 2

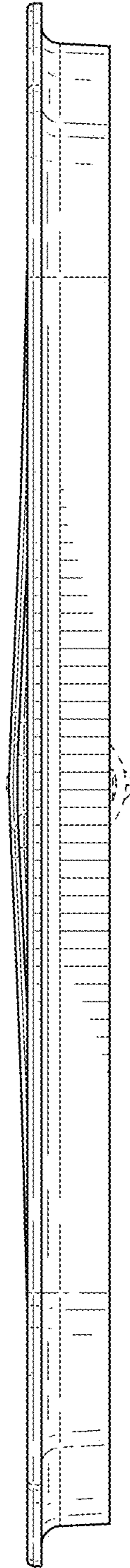


FIG. 3

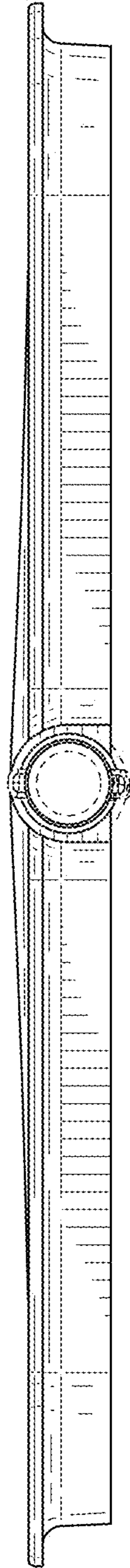


FIG. 4

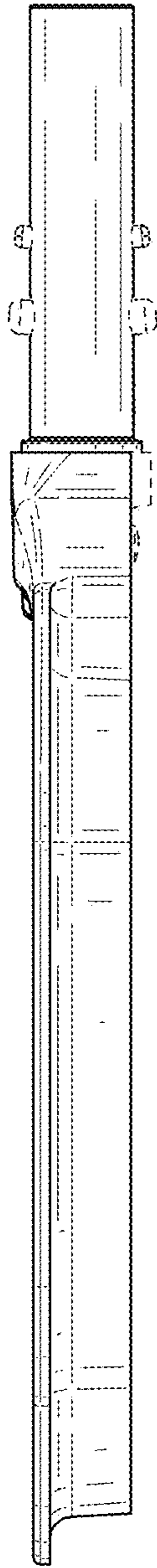


FIG. 5

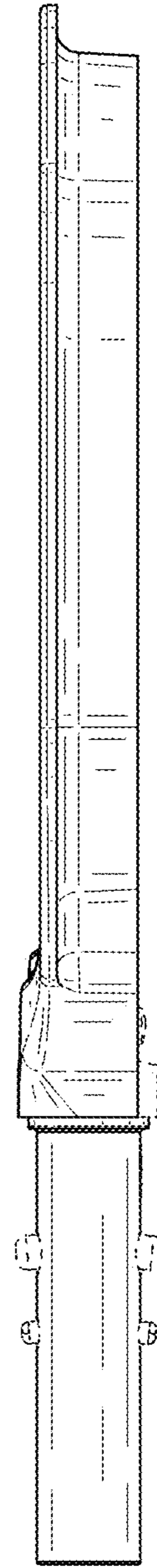


FIG. 6

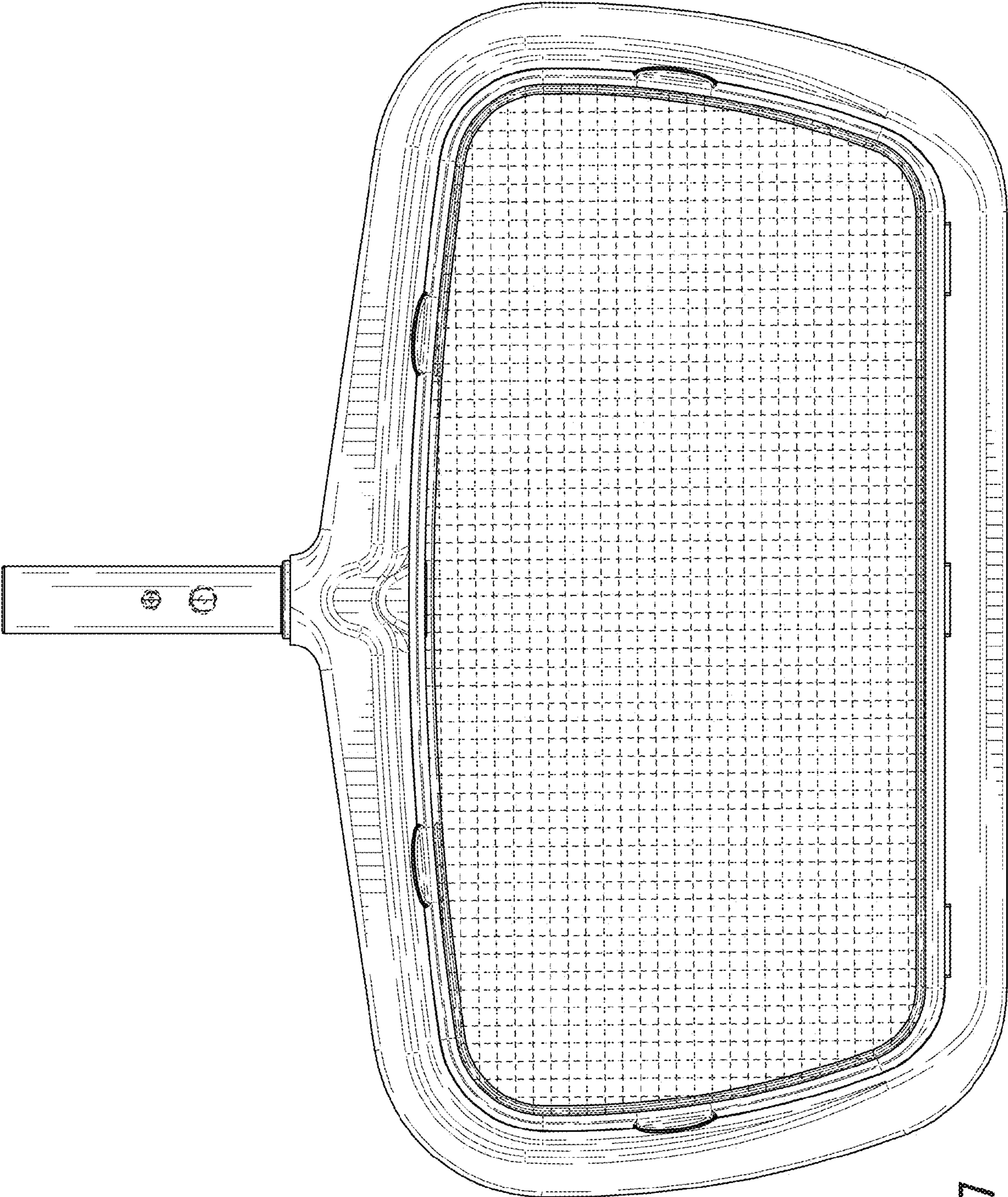


FIG. 7

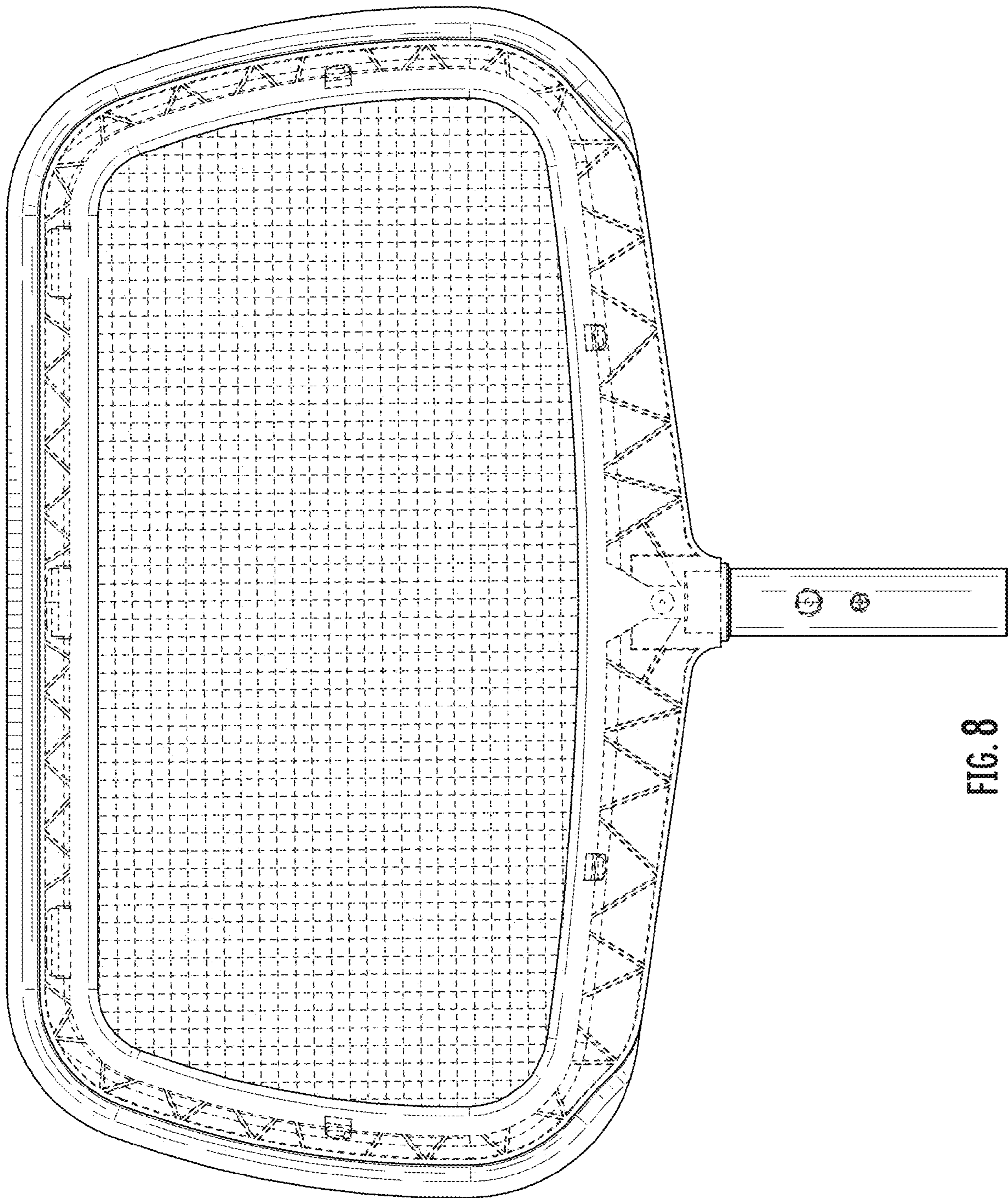


FIG. 8

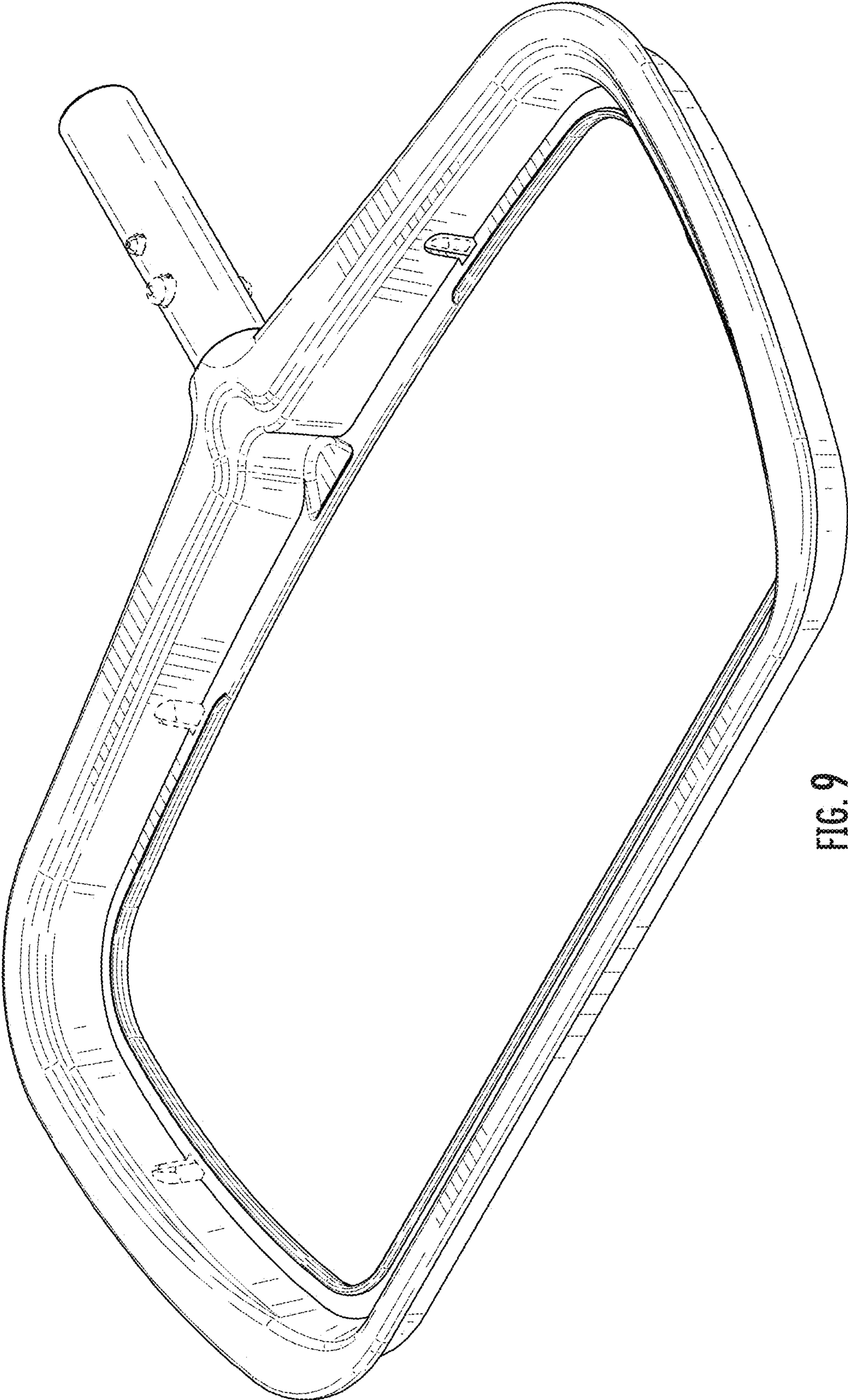


FIG. 9

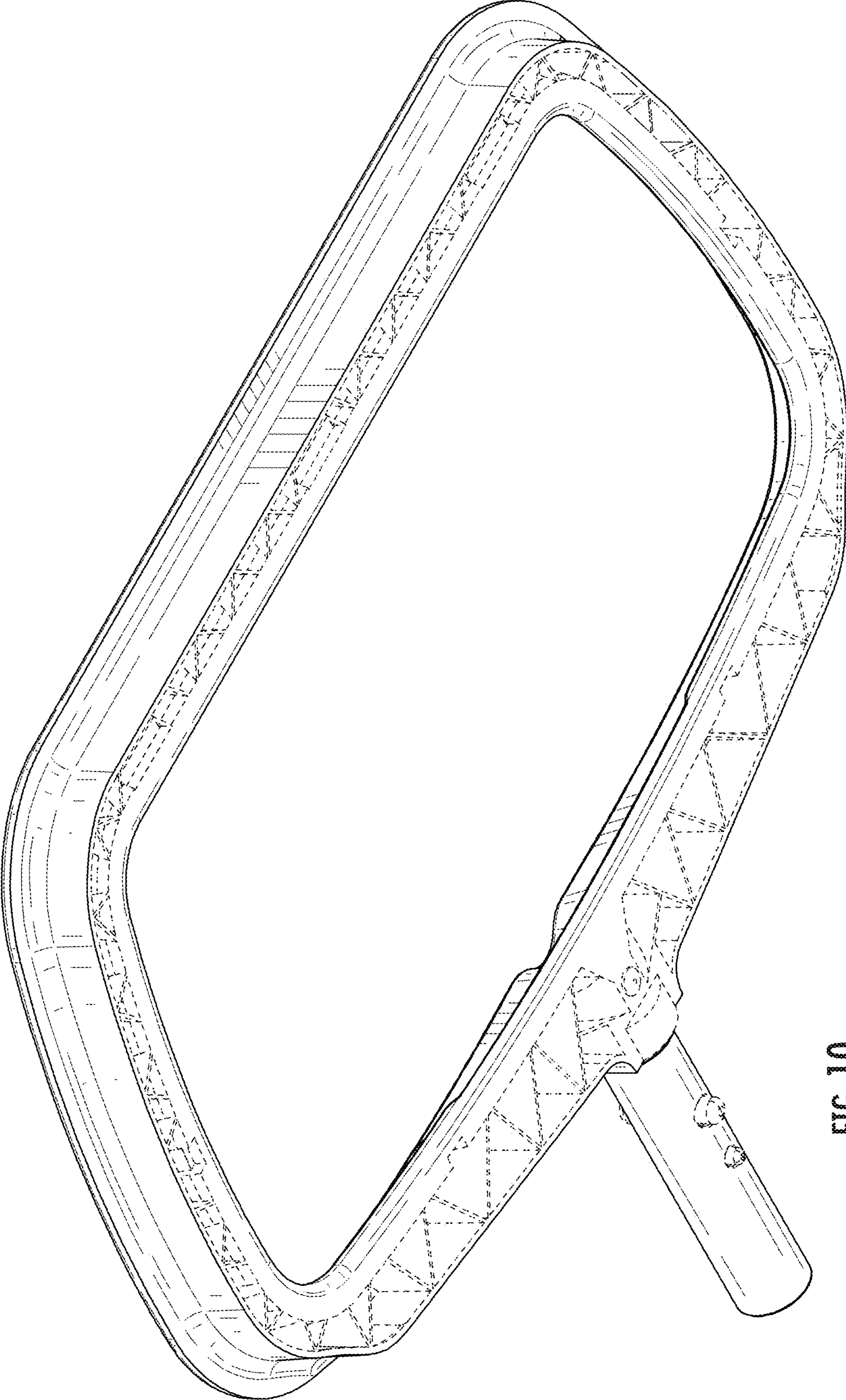


FIG. 10

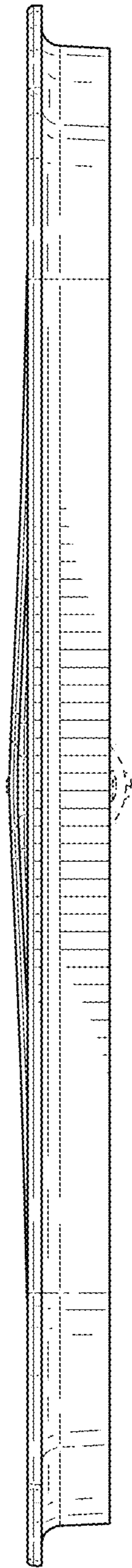


FIG. 11

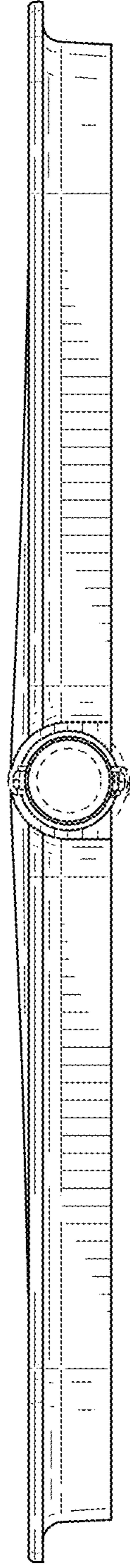


FIG. 12

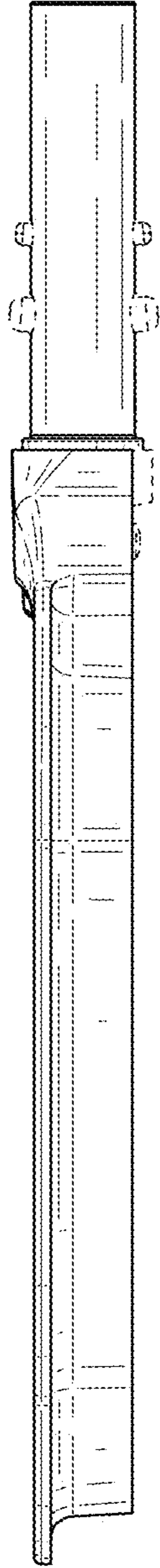


FIG. 13

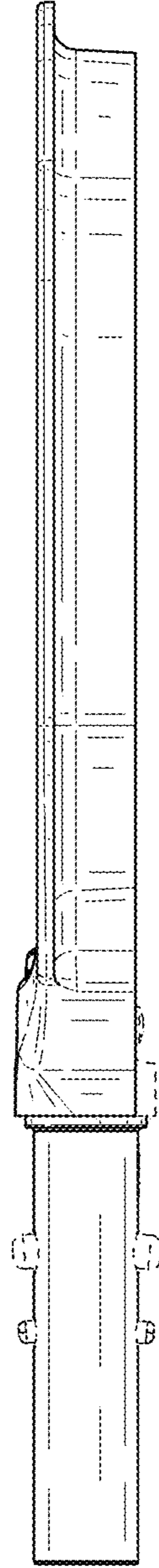


FIG. 14

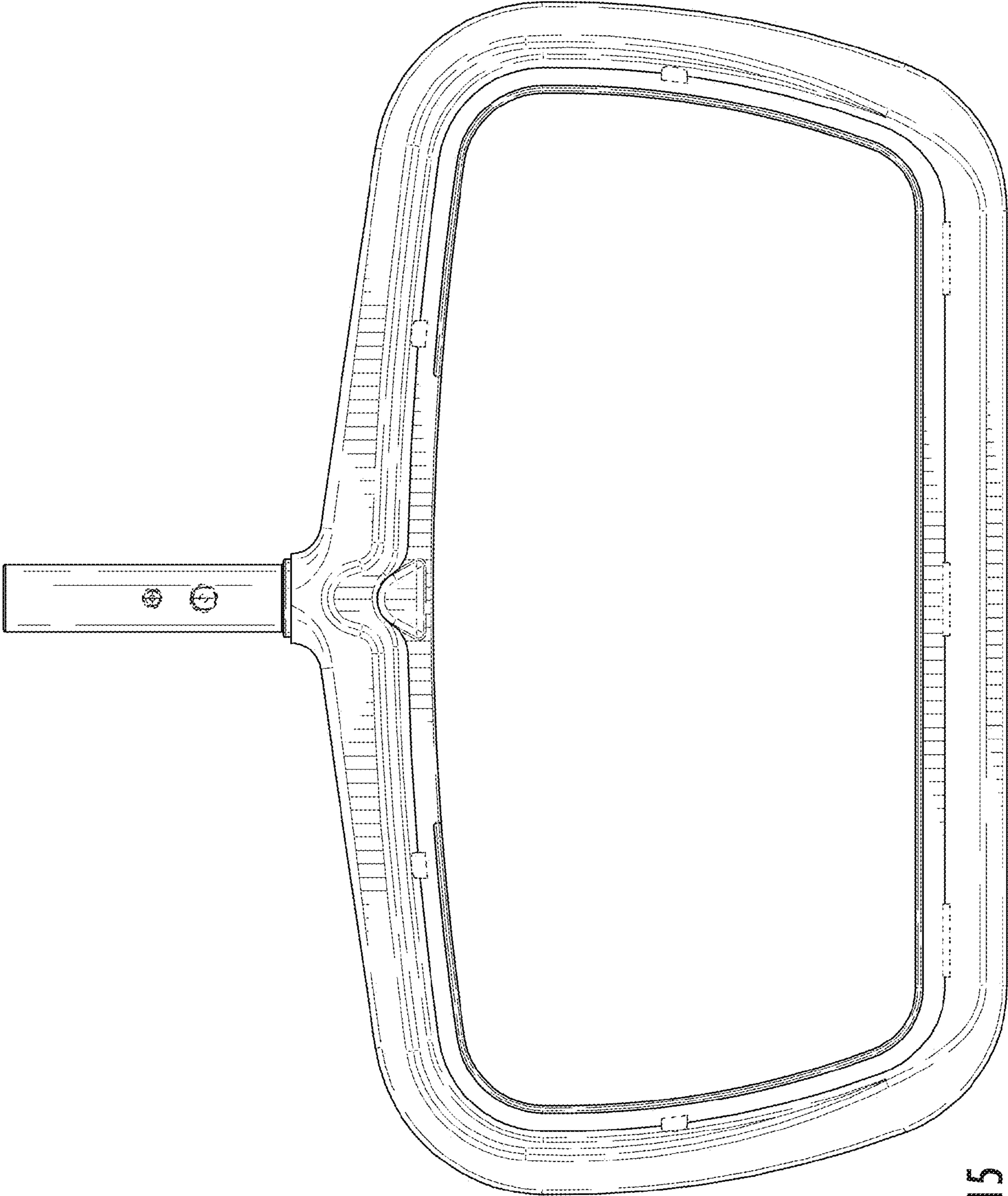


FIG. 15

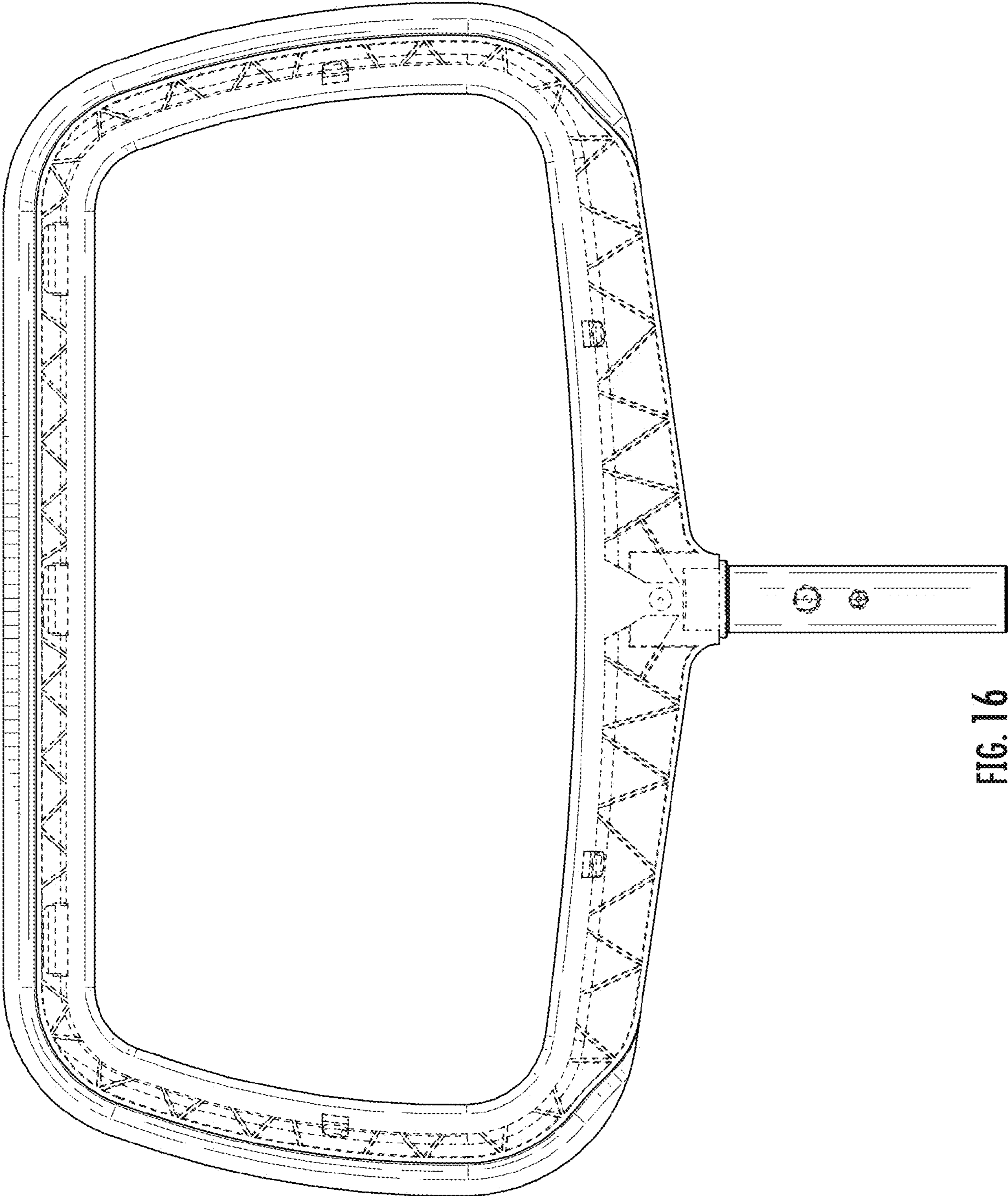


FIG. 16

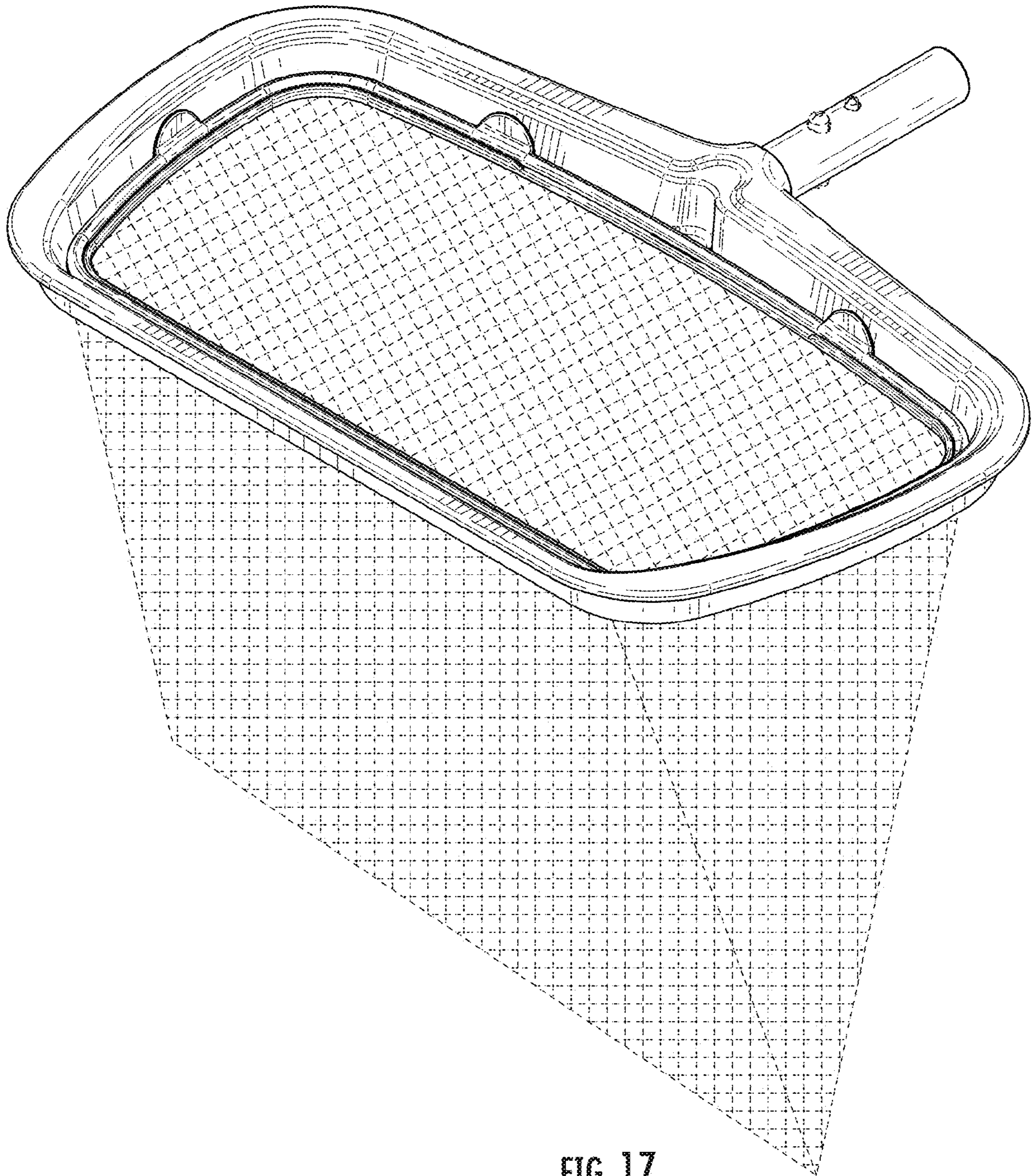


FIG. 17