



US00D938116S

(12) **United States Design Patent**
Yu et al.

(10) **Patent No.:** **US D938,116 S**

(45) **Date of Patent:** **** Dec. 7, 2021**

(54) **CLEANING ROBOT**

(71) Applicant: **Beijing Roborock Technology Co., Ltd.**, Beijing (CN)

(72) Inventors: **Guang Yu**, Beijing (CN); **Dahong Gong**, Beijing (CN); **Yongji Long**, Beijing (CN)

(73) Assignee: **Beijing Roborock Technology Co., Ltd.**, Beijing (CN)

(**) Term: **15 Years**

(21) Appl. No.: **29/700,951**

(22) Filed: **Aug. 7, 2019**

(30) **Foreign Application Priority Data**

Mar. 12, 2019 (CN) 201930100655.X

(51) **LOC (13) Cl.** **15-05**

(52) **U.S. Cl.**
USPC **D32/21**

(58) **Field of Classification Search**
USPC D32/21, 31; D21/526, 578; D8/70, 310,
D8/330; D10/37, 38, 50, 106.2, 106.5;
D13/108, 109; D14/218, 248, 341, 344;
D23/254

See application file for complete search history.

(56) **References Cited**

U.S. PATENT DOCUMENTS

| | | | | |
|--------------|--------|-----------|-------|-----------|
| D359,701 S * | 6/1995 | Fischette | | D10/106.5 |
| D548,902 S * | 8/2007 | Chun | | D32/21 |
| D593,265 S * | 5/2009 | Carr | | D32/21 |
| D613,627 S * | 4/2010 | Wang | | D10/50 |
| D621,547 S * | 8/2010 | Wirgler | | D28/82 |
| D622,003 S * | 8/2010 | Naughton | | D28/82 |
| D658,341 S * | 4/2012 | Nam | | D32/21 |
| D661,439 S * | 6/2012 | Lee | | D32/21 |
| D661,440 S * | 6/2012 | Lee | | D32/21 |

| | | | | |
|--------------|--------|---------|-------|-----------|
| D690,478 S * | 9/2013 | Li | | D32/21 |
| D722,259 S * | 2/2015 | Conner | | D8/300 |
| D726,377 S * | 4/2015 | Koo | | D28/82 |
| D726,672 S * | 4/2015 | Olodort | | D14/138 G |
| D790,372 S * | 6/2017 | Daoura | | D10/70 |

(Continued)

FOREIGN PATENT DOCUMENTS

| | | | |
|----|-----------|---|--------|
| CN | 304184717 | * | 6/2017 |
| CN | 304483102 | * | 1/2018 |

(Continued)

OTHER PUBLICATIONS

Mi Robot Vacuum, announced in YouTube on Jan. 31, 2018 [online], [site visited Oct. 19, 2020], Available from the internet URL: <https://www.youtube.com/watch?v=HlqzWMq849c> (Year: 2018).*

(Continued)

Primary Examiner — Dana K Weiland

Assistant Examiner — Jennylou M Binas

(74) *Attorney, Agent, or Firm* — Greenberg Traurig, LLP

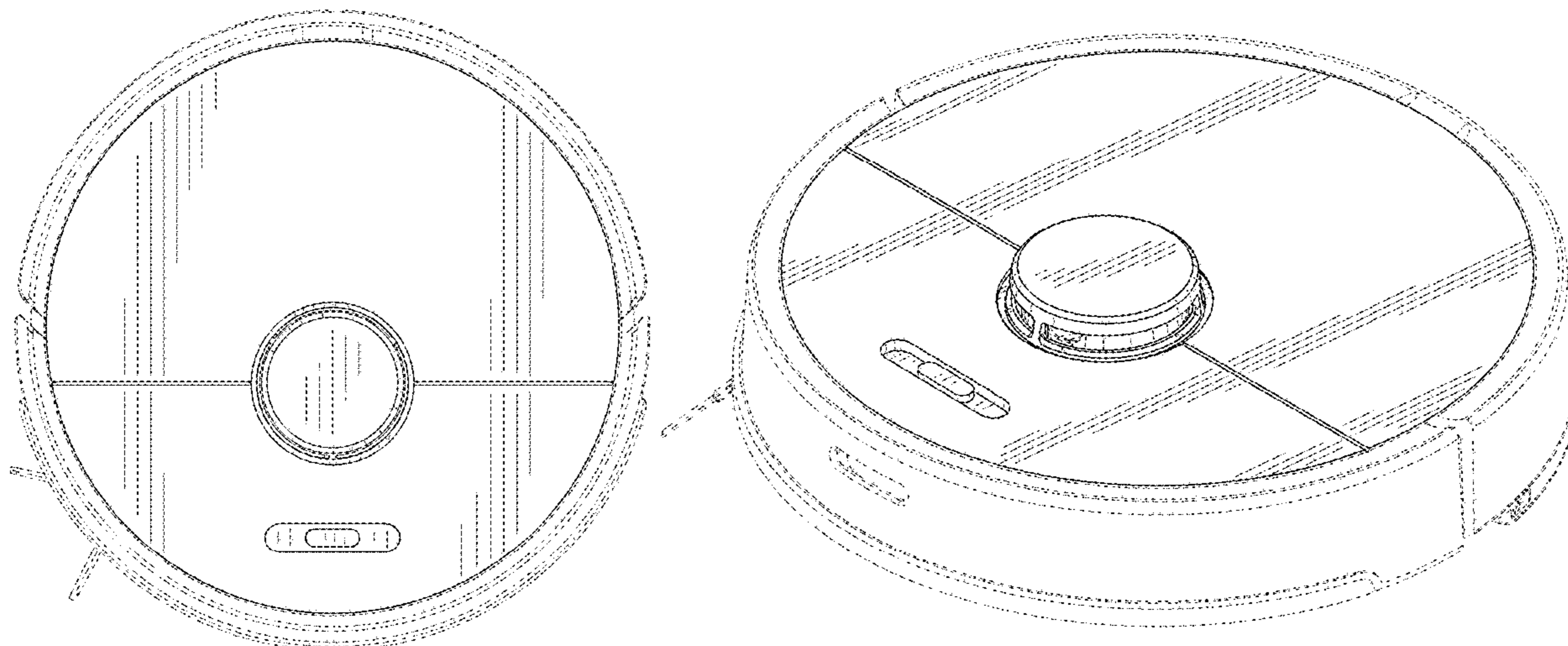
(57) **CLAIM**

We claim the ornamental design for a cleaning robot, as shown and described.

DESCRIPTION

FIG. 1 is a top view of my design;
FIG. 2 is a bottom view of my design;
FIG. 3 is a left view of my design;
FIG. 4 is a right view of my design;
FIG. 5 is a rear view of my design;
FIG. 6 is a front view of my design; and,
FIG. 7 is a perspective view of my design.
The features of the cleaning robot shown in dashed lines in the drawings form no part of the claimed design.

1 Claim, 7 Drawing Sheets



(56)

References Cited

U.S. PATENT DOCUMENTS

D790,373 S * 6/2017 Daoura D10/70
 10,061,021 B2 * 8/2018 Faetani G01S 7/487
 D835,070 S * 12/2018 DePasquale D14/216
 D835,869 S * 12/2018 Li D32/21
 D840,617 S * 2/2019 Dou D32/21
 D849,678 S * 5/2019 Kojima D13/102
 D857,996 S * 8/2019 Chen D28/82
 D860,816 S * 9/2019 Rathbun D9/780
 D861,989 S * 10/2019 Jeong D28/78
 D867,701 S * 11/2019 Mi D32/31
 D869,109 S * 12/2019 Yu D32/21
 D871,693 S * 12/2019 Ebrahimi Afrouzi D32/21
 D871,694 S * 12/2019 Casini D32/21
 D872,953 S * 1/2020 Ebrahimi Afrouzi D32/21
 D876,035 S * 2/2020 Song D32/21
 D884,298 S * 5/2020 Li D32/21
 D885,461 S * 5/2020 Pera D16/218
 D885,698 S * 5/2020 Li D32/21
 D885,699 S * 5/2020 Li D32/21
 D893,819 S * 8/2020 Li D32/21
 D898,294 S * 10/2020 Kikuchi D28/82
 D903,661 S * 12/2020 Seo D14/341
 D903,961 S * 12/2020 Li D32/21
 D906,607 S * 12/2020 Chen D32/21
 D906,608 S * 12/2020 Li D32/21
 D911,277 S * 2/2021 Shang D13/108
 D912,533 S * 3/2021 Yu D10/15
 D915,015 S * 3/2021 Tan D32/31
 D919,211 S * 5/2021 Chang D32/21
 D921,308 S * 6/2021 Cao D32/21
 D921,309 S * 6/2021 Liu D32/21
 2019/0290091 A1 * 9/2019 Liang A47L 11/24
 2019/0298137 A1 * 10/2019 Zhu A47L 11/4002
 2020/0046192 A1 * 2/2020 Zhang A47L 11/28
 2020/0205627 A1 * 7/2020 Choi A47L 9/106
 2021/0228034 A1 * 7/2021 Yang F16H 57/021

FOREIGN PATENT DOCUMENTS

CN 304546154 * 3/2018
 CN 304566598 * 4/2018
 CN 303979123 * 6/2018
 CN 304705643 * 6/2018
 CN 304732111 * 7/2018
 CN 304926998 * 12/2018
 CN 305211139 * 6/2019
 EM 6763751-001 * 9/2019
 IN 317525-001-0001 * 6/2020

JP D1668715 * 9/2020
 RU 110054 * 7/2018
 WO D209160-001 * 7/2020

OTHER PUBLICATIONS

Roborock S5, announced in YouTube on Feb. 10, 2018 [online], [site visited Nov. 30, 2020], Available from the internet URL: <https://www.youtube.com/watch?v=diEdUnj61NQ> (Year: 2018).*

Ecovacs Deebot Ozmo 900, available in Amazon.com, date first available Feb. 20, 2019 [online], [site visited Nov. 30, 2020], Available from the internet URL: https://www.amazon.co.uk/dp/B07N1K6SGQ/ref=cm_sw_em_r_mt_imm_awdb_WBgXFbMZ52RBC?th=1 (Year: 2019).*

Roborock S6 Robot Vacuum, available in Amazon.com, customer review oldest date Aug. 20, 2019 [online], [site visited Nov. 30, 2020], Available from the internet URL: https://www.amazon.com/dp/B07VCQRY4W/ref=cm_sw_r_em_apa_fabt1_cQCVFbQKVDBSH?_encoding=UTF8&psc=1 (Year: 2019).*

Roborock S6 MaxV, available in Amazon.com, date first available Feb. 19, 2020 [online], [site visited Nov. 30, 2020], Available from the internet URL: <https://www.amazon.com/Roborock-Cleaner-ReactiveAI-Navigation-Intelligent/dp/B084Z5JD5Q> (Year: 2020).*

LiDAR Robot Vacuum, available in Amazon.com, date first available May 20, 2020 [online], [site visited Nov. 30, 2020], Available from the internet URL: <https://www.amazon.com/360-Technology-Multi-Floor-Selective-Low-Medium/dp/B088WXQHTP> (Year: 2020).*

Neabot Robot Vacuum, available in Amazon.com, date first available Jul. 3, 2020 [online], [site visited Nov. 30, 2020], Available from the internet URL: https://www.amazon.com/dp/B08C9T88TN/ref=cm_sw_r_em_apa_fabt1_IcEVFbHEGKXK3?_encoding=UTF8&psc=1 (Year: 2020).*

Veavon Robot Vacuum, available in Amazon.com, date first available Aug. 7, 2020 [online], [site visited Nov. 30, 2020], Available from the internet URL: https://www.amazon.com/dp/B08FDKJK1X/ref=cm_sw_r_em_apa_fabt1_0JCVFbNZGEEQW?_encoding=UTF8&psc=1 (Year: 2020).*

OXO Good Grip POP Snack and Cookie Jars, available in bedbathandbeyond.com, customer review oldest date Dec. 1, 2012 [online], [site visited Nov. 30, 2020], Available from the internet URL: <https://www.bedbathandbeyond.com/store/product/oxo-good-grips-reg-pop-snack-and-cookie-jars/3262798> (Year: 2012).*

Steam Rice Cooker, available in yankodesign.com, announced Jul. 5, 2019 [online], [site visited Nov. 30, 2020], Internet URL: <https://www.yankodesign.com/2019/07/05/this-steam-rice-cooker-ensures-that-the-rice-is-cooked-in-minutes/> (Year: 2019).*

Roborock S6 Robot Vacuum, available in Amazon.com, customer review oldest date May 9, 2019 [online], [site visited Apr. 10, 2021], Available from the internet URL: https://www.amazon.com/Roborock-S6-Adaptive-Selective-Cleaning/dp/B07RLRWWPJ/ref=cm_cr_arpd_product_top?ie=UTF8 (Year: 2019).*

* cited by examiner

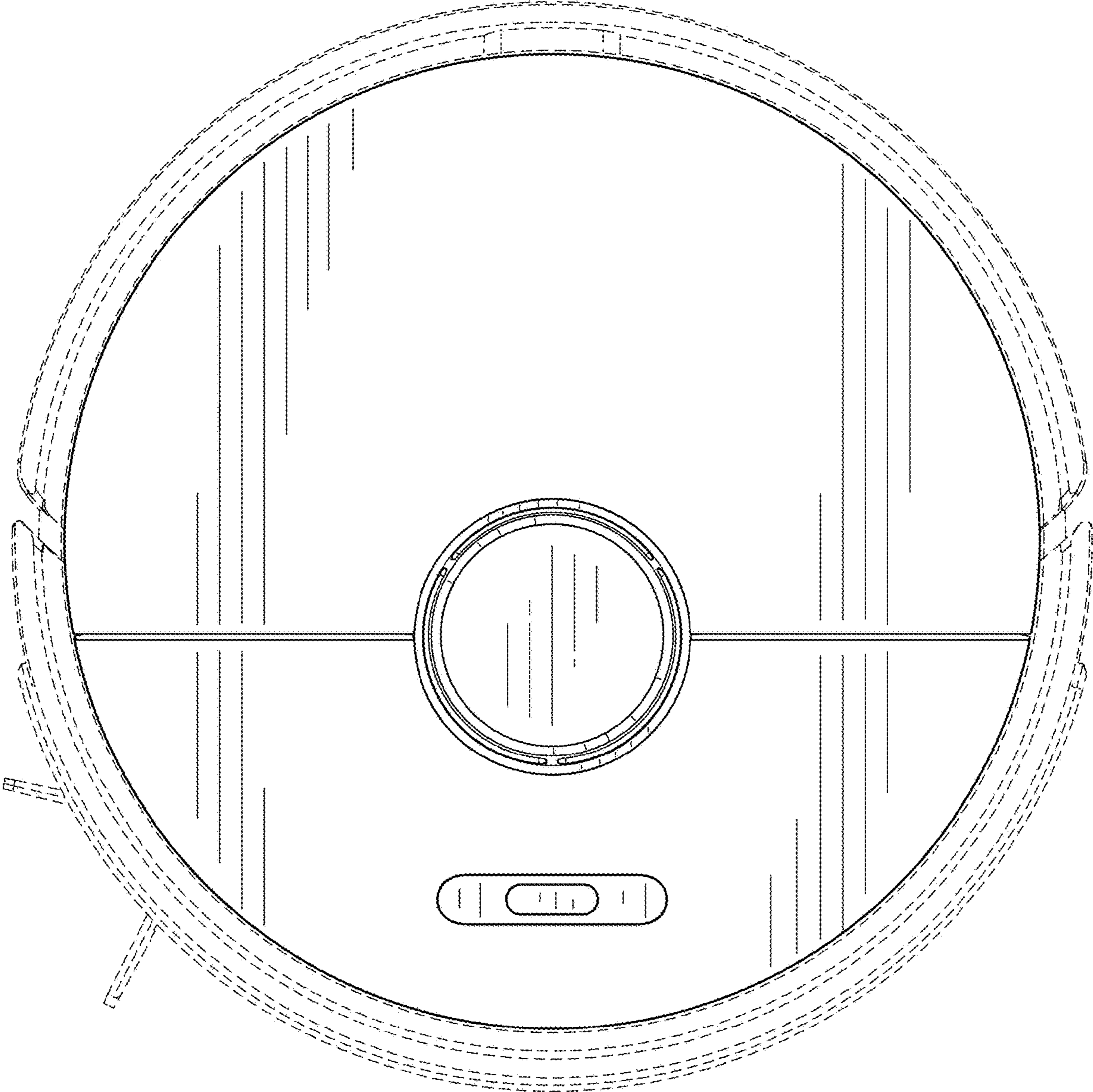


FIG. 1

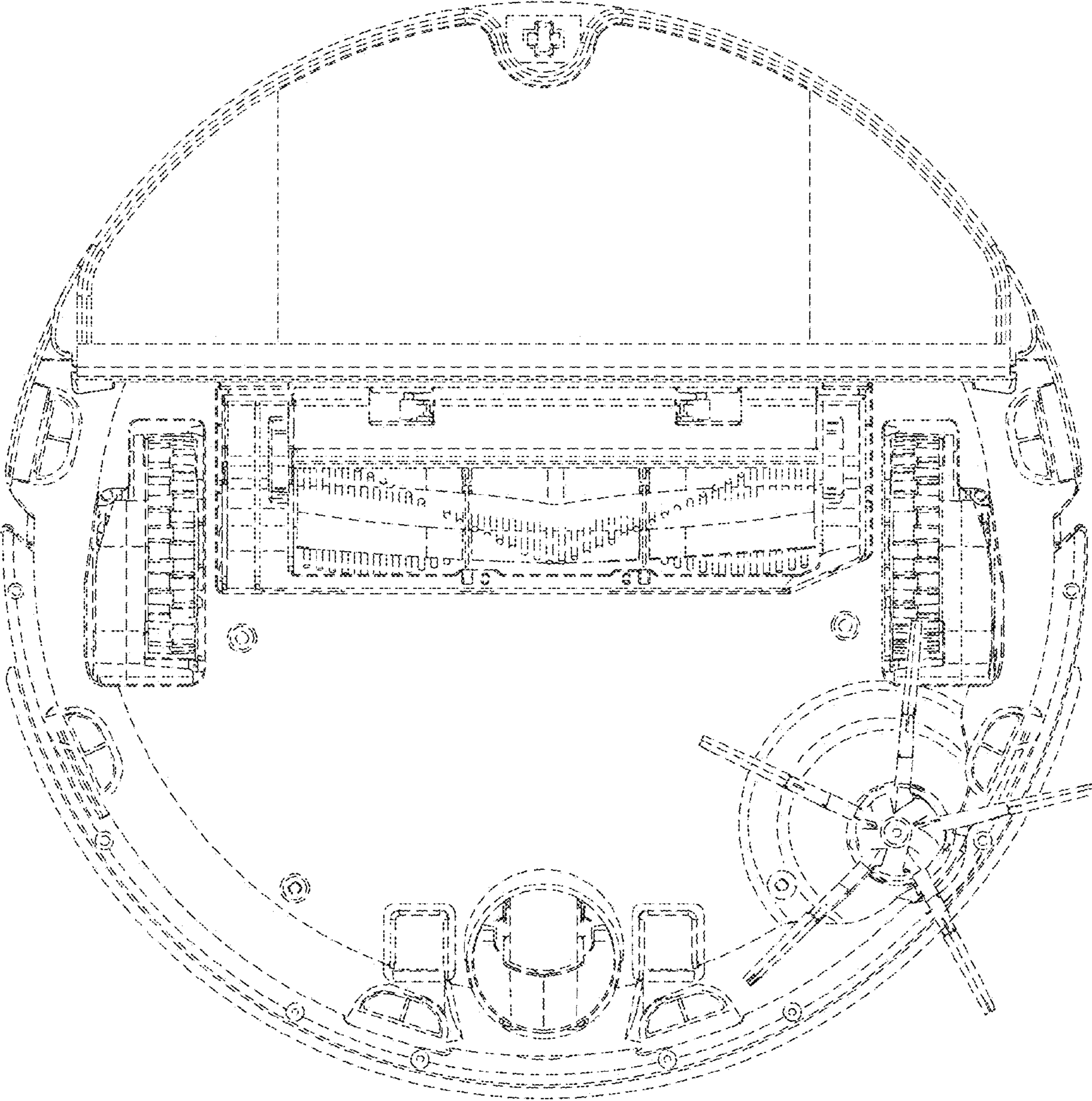


FIG. 2

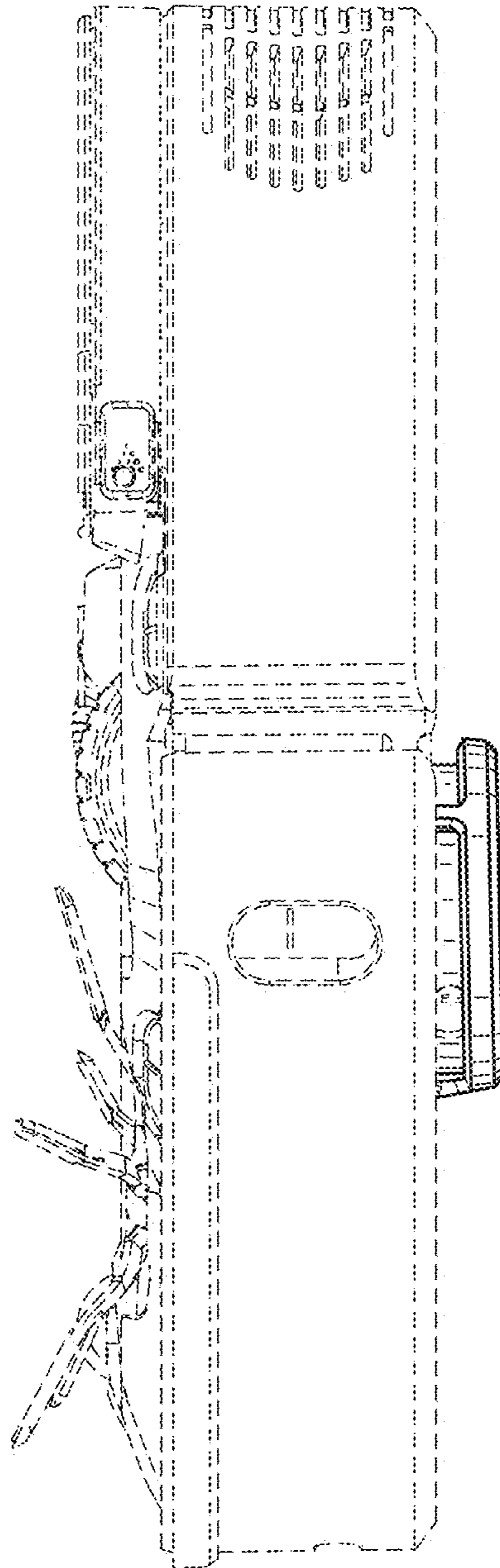


FIG. 3

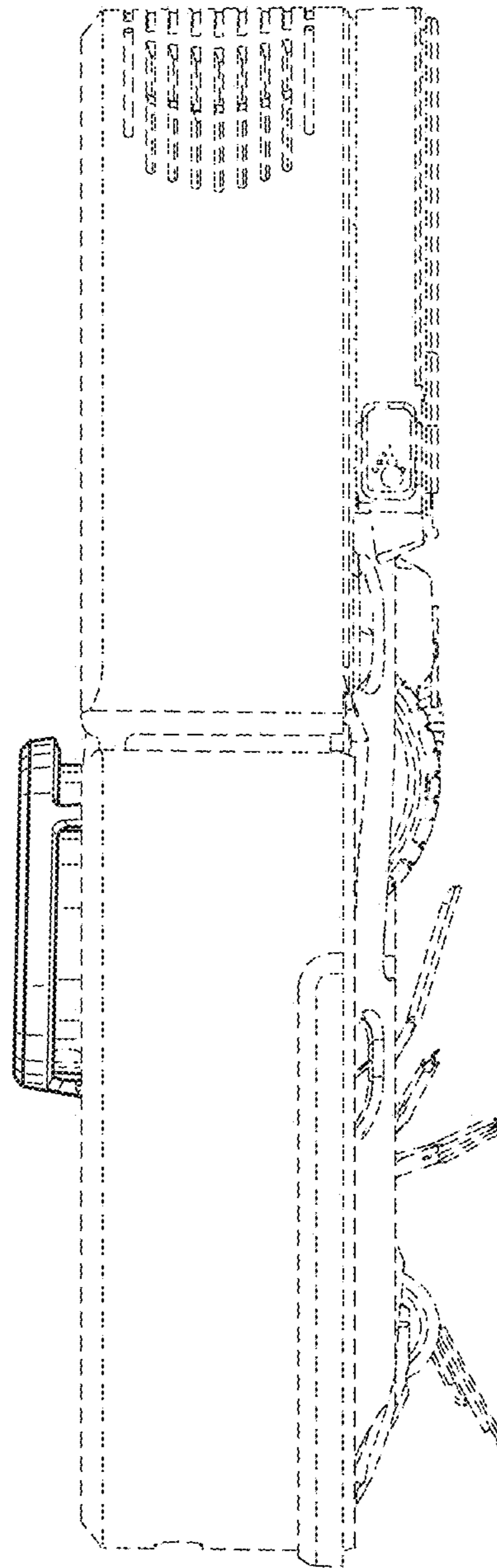


FIG. 4

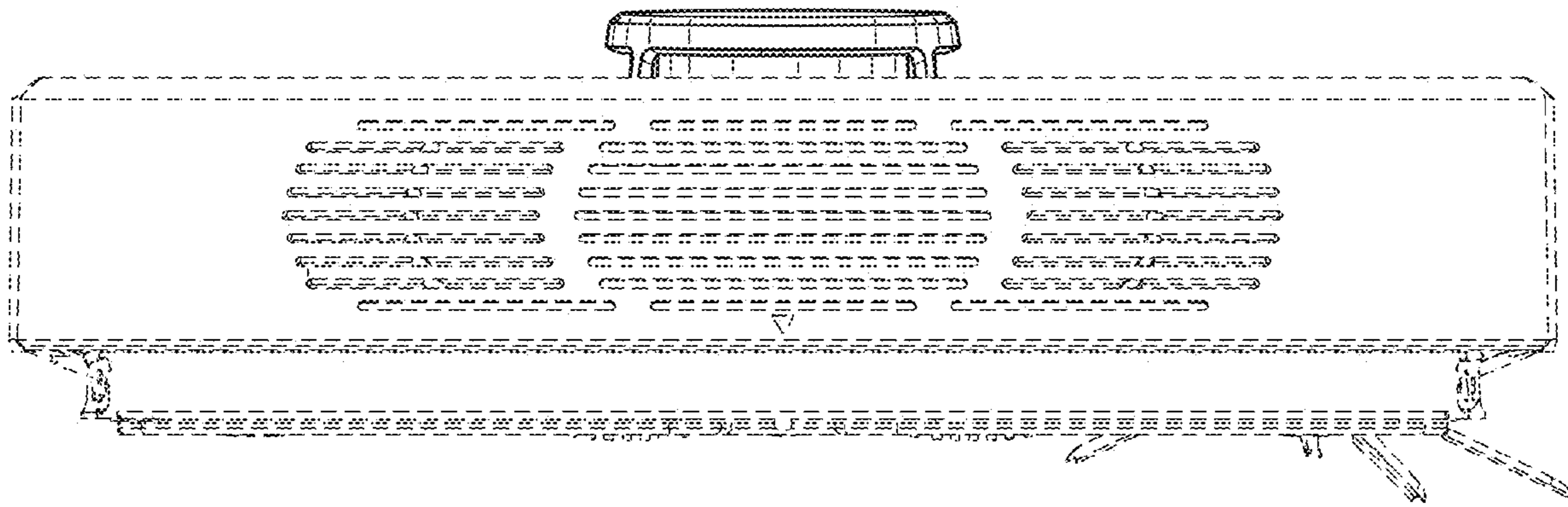


FIG. 5

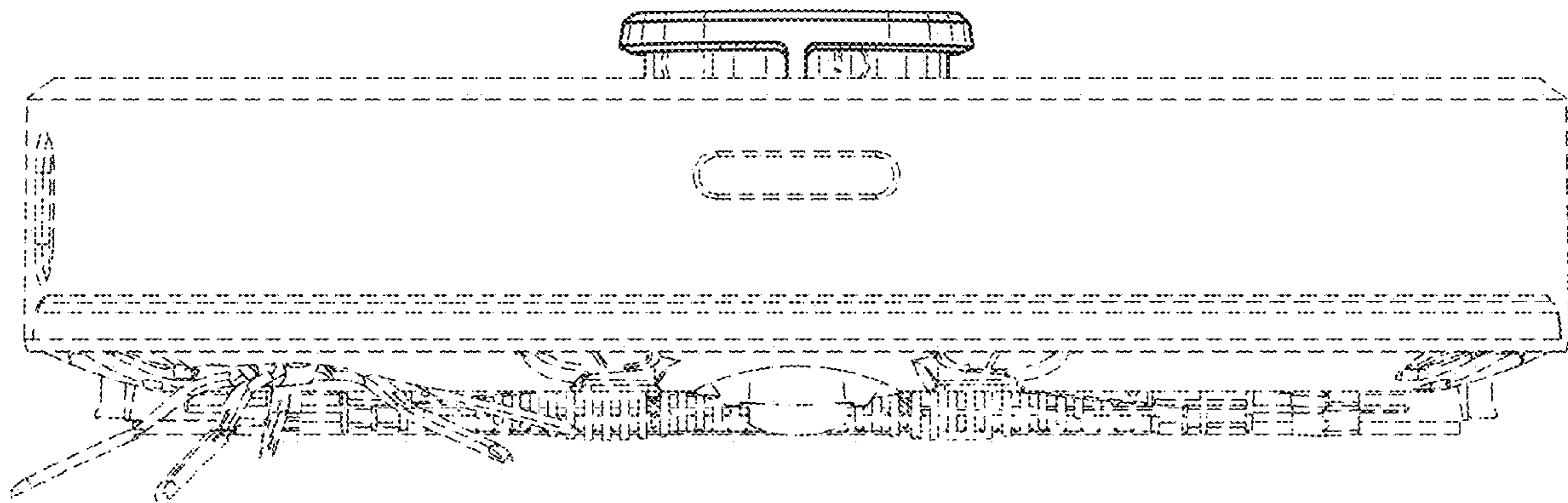


FIG. 6

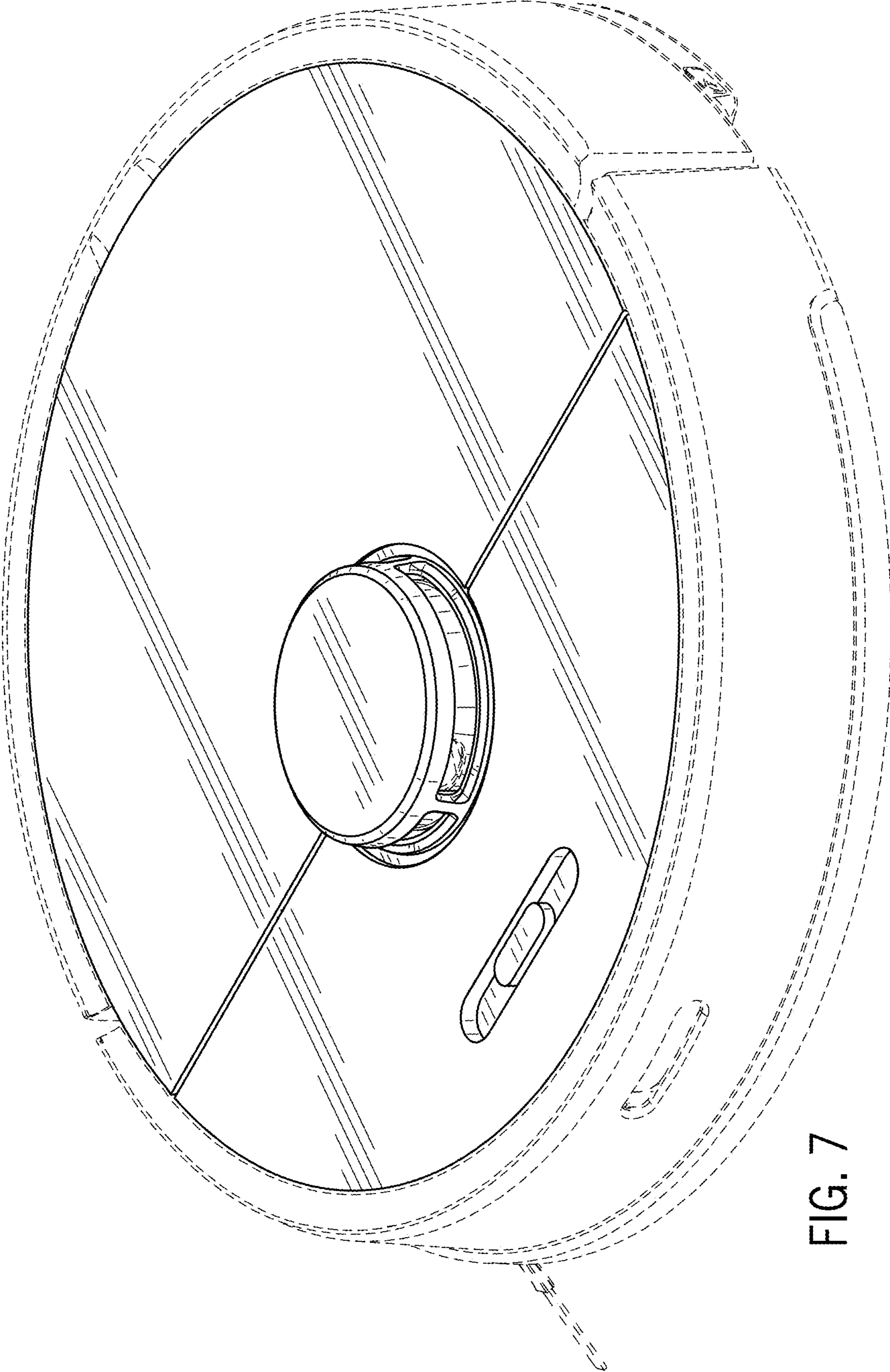


FIG. 7