



US00D938115S

(12) **United States Design Patent**
Jang et al.

(10) **Patent No.:** **US D938,115 S**

(45) **Date of Patent:** **** Dec. 7, 2021**

(54) **AUTONOMOUS FLOOR CLEANING ROBOT**

(71) Applicant: **iRobot Corporation**, Bedford, MA (US)

(72) Inventors: **Stuart R. Jang**, Sudbury, MA (US);
Ryan Mercier, Boston, MA (US)

(73) Assignee: **iRobot Corporation**, Bedford, MA (US)

(**) Term: **15 Years**

(21) Appl. No.: **29/671,898**

(22) Filed: **Nov. 30, 2018**

(51) **LOC (13) Cl.** **15-05**

(52) **U.S. Cl.**
USPC **D32/21**

(58) **Field of Classification Search**
USPC D32/15, 19, 20, 30, 31, 21, 23
CPC A47L 2201/00; A47L 11/24; A47L 11/28;
A47L 11/00; A47L 11/30; A47L 11/40;
A47L 7/00; A47L 9/00; A47L 9/28
See application file for complete search history.

(56) **References Cited**

U.S. PATENT DOCUMENTS

D704,400 S *	5/2014	Shin	D32/21
D709,255 S *	7/2014	Wang	D32/21
9,526,390 B2 *	12/2016	Yi	B25J 9/1694
D808,096 S *	1/2018	Yun	D32/21
10,168,709 B2 *	1/2019	Kleiner	A47L 9/0488
10,272,828 B2 *	4/2019	White	A47L 9/009
10,292,554 B2 *	5/2019	Lewis	A47L 9/106
10,383,499 B2 *	8/2019	Fox	A47L 11/4091
D860,557 S *	9/2019	Gnielka	D32/21
10,463,217 B1 *	11/2019	Bialek	A47L 9/2821
D871,694 S *	12/2019	Casini	D32/21
D874,079 S *	1/2020	Ebrahimi Afrouzi	D32/21
10,575,696 B2 *	3/2020	O'Brien	A47L 9/0477
D884,998 S *	5/2020	Afshar Bakooshli	D32/21
10,806,314 B2 *	10/2020	Suchman	A47L 11/28

10,967,749 B2 *	4/2021	O'Brien	A47L 11/4011
11,122,951 B2 *	9/2021	Gschrey	H01R 13/2428
2018/0360281 A1 *	12/2018	Shin	A47L 9/0494
2019/0133397 A1 *	5/2019	Choe	A47L 9/2852
2019/0298137 A1 *	10/2019	Zhu	A47L 11/4002
2020/0000302 A1 *	1/2020	Morin	A47L 9/0477
2020/0069125 A1 *	3/2020	Gritsenko	A47L 11/24
2020/0077863 A1 *	3/2020	Huang	G05D 1/0027
2020/0205632 A1 *	7/2020	Gschrey	A47L 9/00

OTHER PUBLICATIONS

Braava m Series—iRobot (on-line), dated Jun. 22, 2019. Retrieved from Internet Mar. 19, 2021, URL: <https://web.archive.org/web/20190622205412/https://www.irobot.com/braava/m-series> (2 pages) (Year: 2019).*

* cited by examiner

Primary Examiner — Kimberly Barnes

(74) *Attorney, Agent, or Firm* — Schwegman Lundberg & Woessner, P.A.

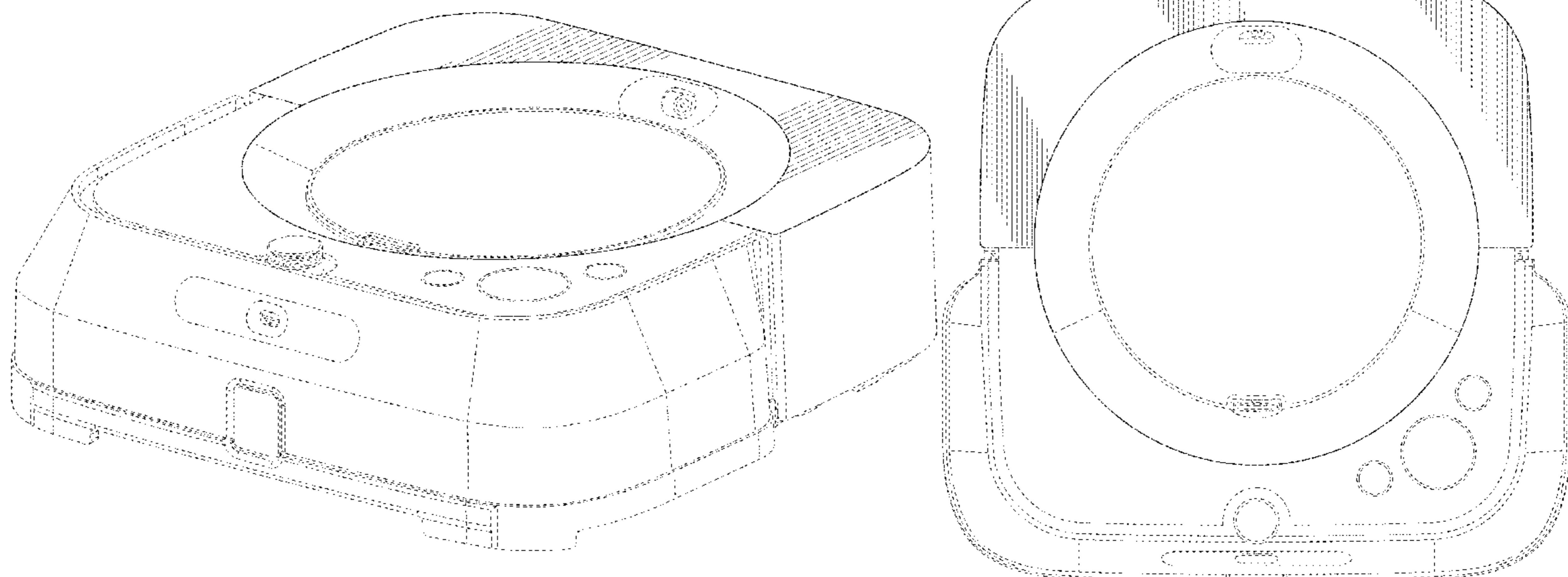
(57) **CLAIM**

The ornamental design for an autonomous floor cleaning robot, as shown and described.

DESCRIPTION

FIG. 1 is a perspective top view of an autonomous floor cleaning robot according to our design; FIG. 2 is a top view thereof; FIG. 3 is a front view thereof; FIG. 4 is a back view thereof; FIG. 5 is a side view thereof; FIG. 6 is an opposing side view thereof; and, FIG. 7 is a top perspective view with a top lid of the autonomous floor cleaning robot in an open position. The broken lines shown herein depict portions of the autonomous floor cleaning robot that form no part of the claimed design.

1 Claim, 5 Drawing Sheets



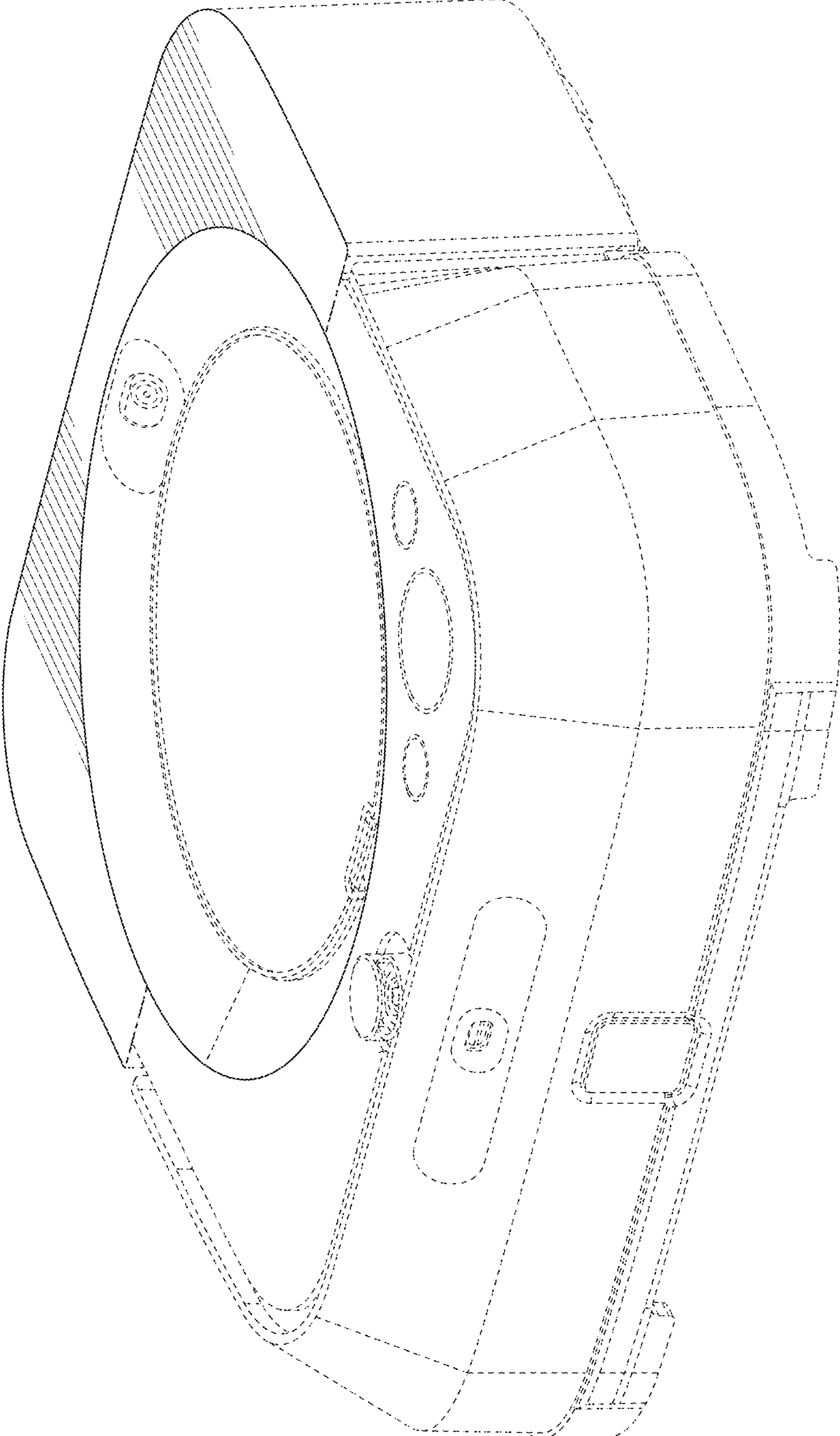


FIG. 1

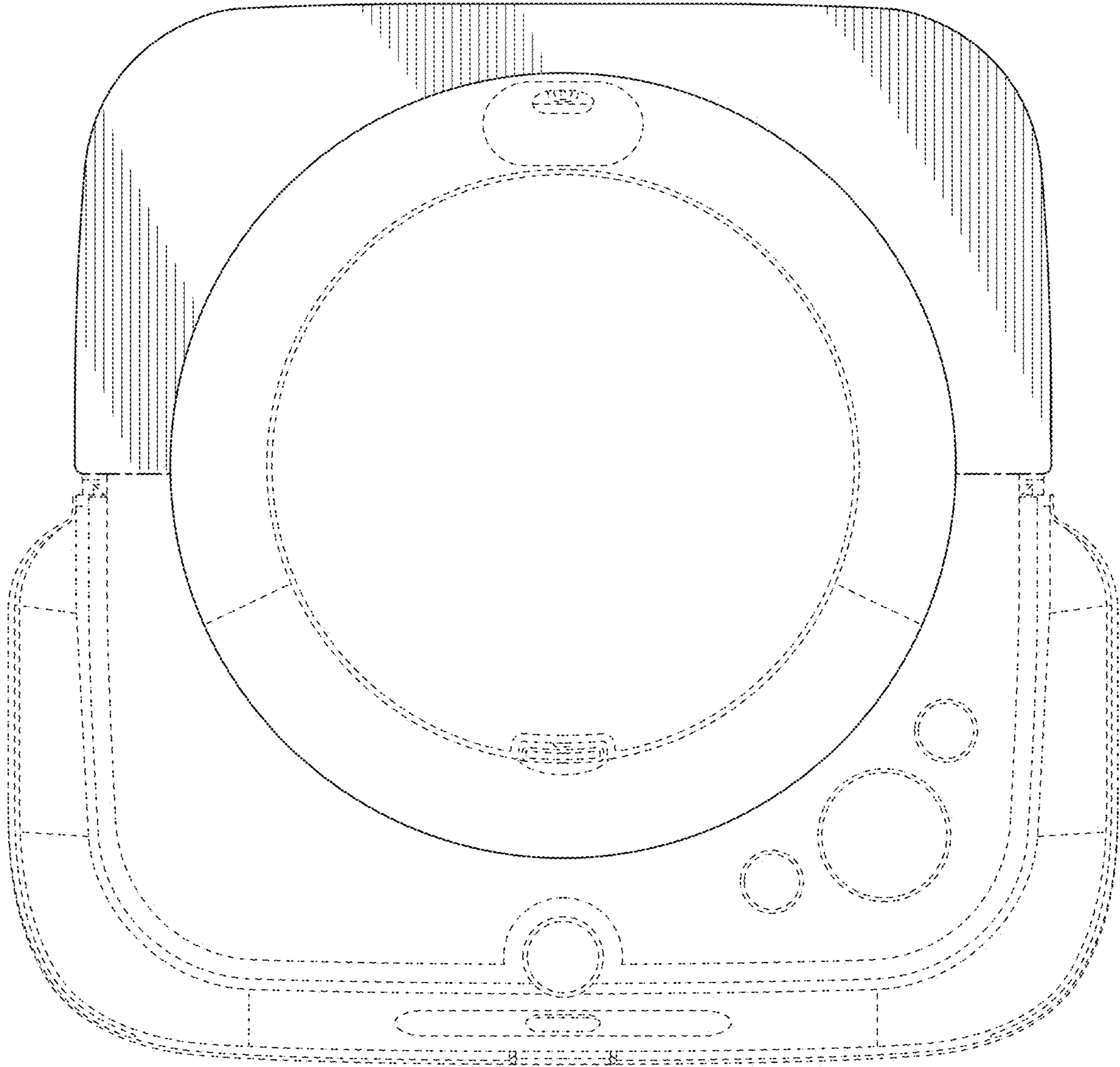


FIG. 2

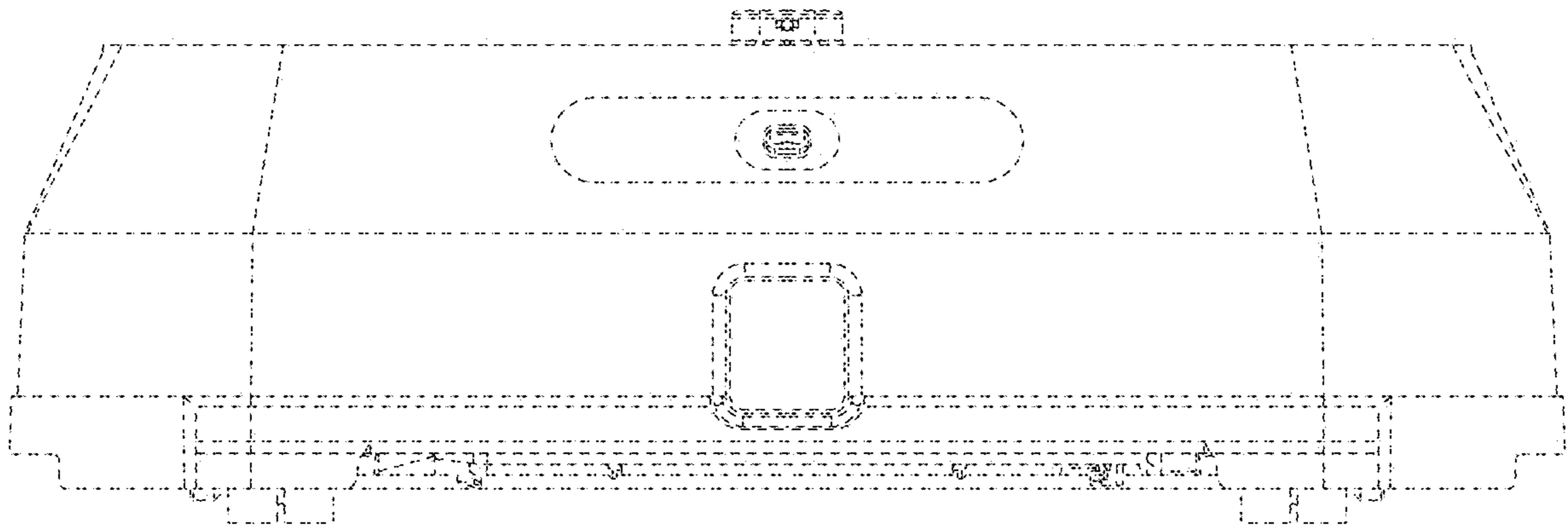


FIG. 3

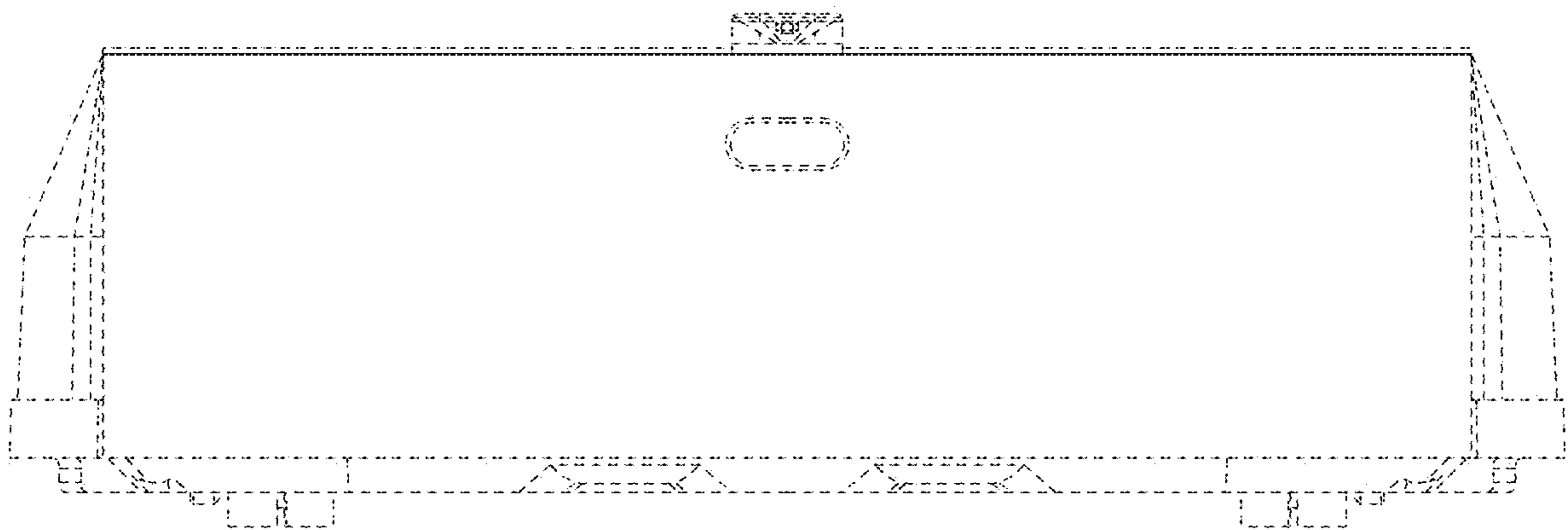


FIG. 4

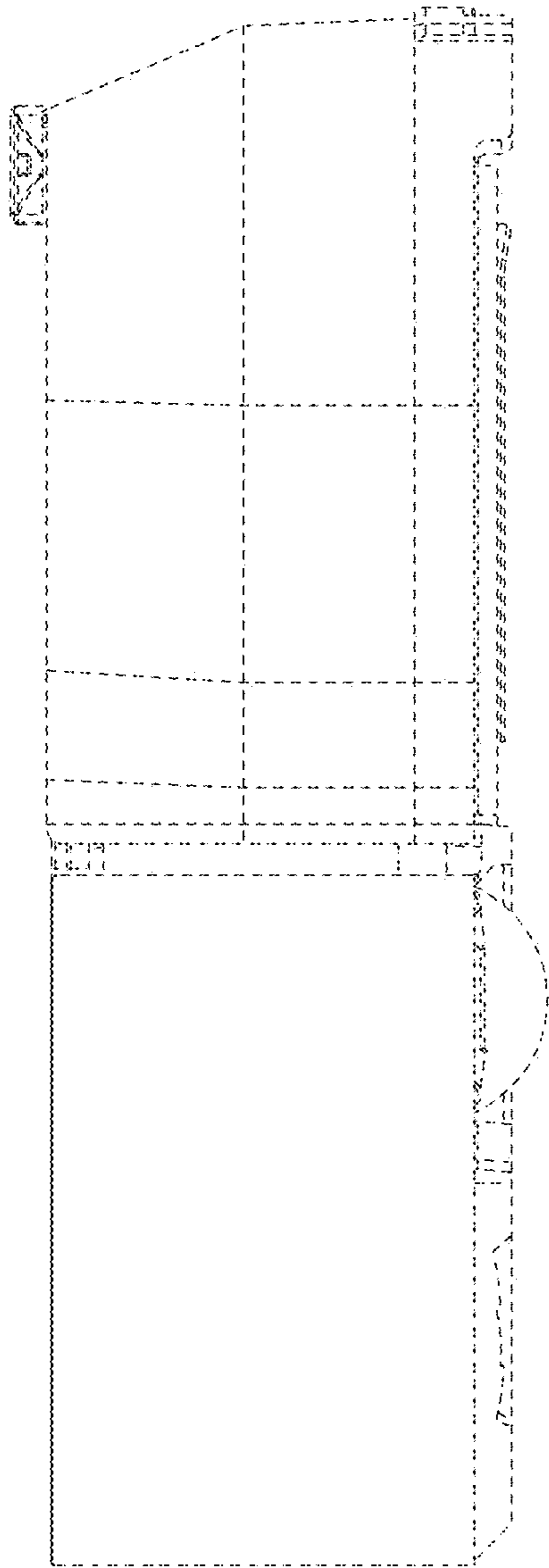


FIG. 5

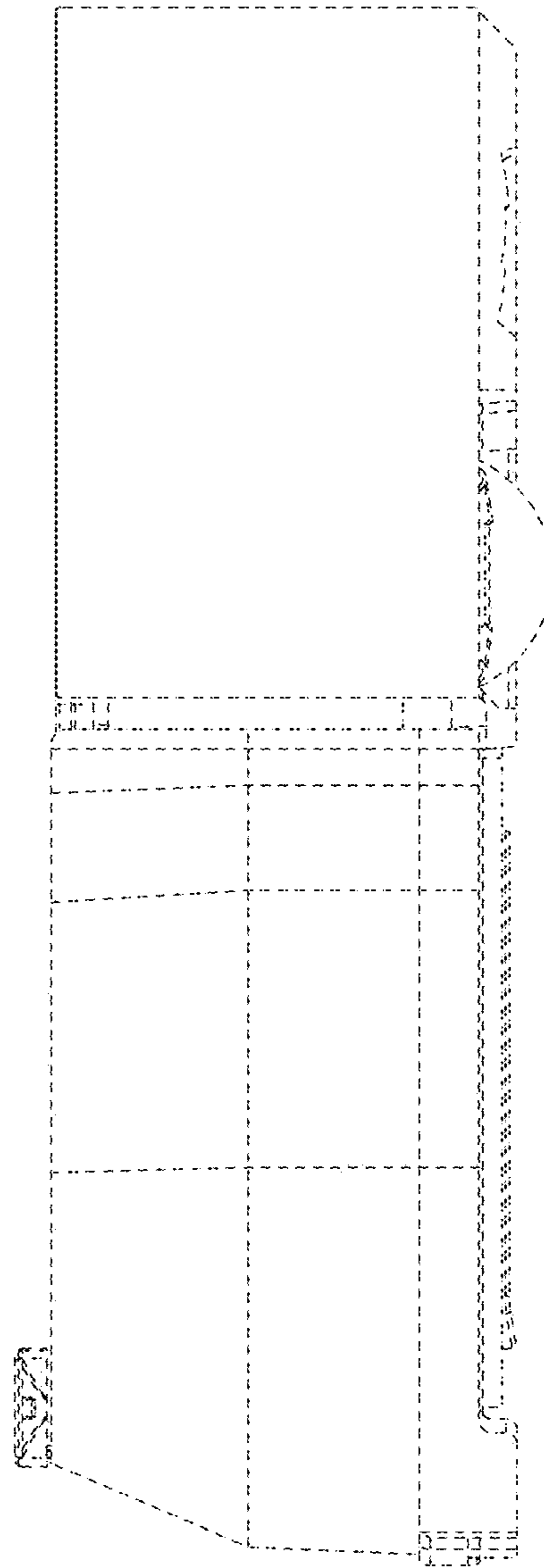


FIG. 6

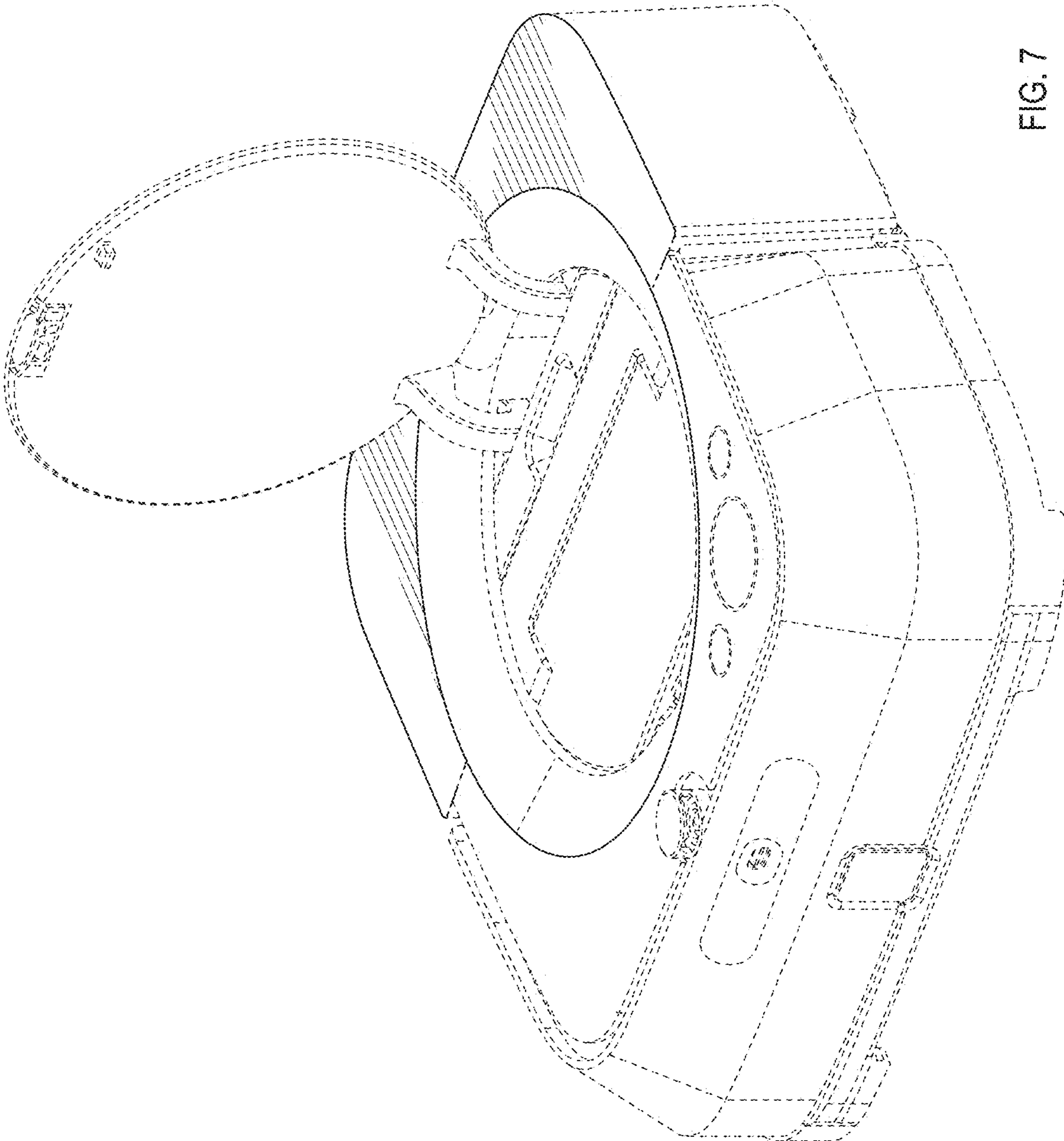


FIG. 7