



US00D938114S

(12) **United States Design Patent** (10) **Patent No.:** **US D938,114 S**  
**Yan et al.** (45) **Date of Patent:** **\*\* Dec. 7, 2021**

(54) **INTELLIGENT CLEANING ROBOT**

(56) **References Cited**

(71) Applicant: **SUNGROW POWER SUPPLY CO., LTD.**, Anhui (CN)

U.S. PATENT DOCUMENTS

(72) Inventors: **Baofei Yan**, Anhui (CN); **Lei Li**, Anhui (CN); **Rui Wang**, Anhui (CN); **Gaozhou Tao**, Anhui (CN)

D625,059 S \* 10/2010 Morenstein ..... D32/21  
D625,060 S \* 10/2010 Morenstein ..... D32/21  
D625,477 S \* 10/2010 Morenstein ..... D32/21  
8,500,918 B1 \* 8/2013 Meller ..... A46B 13/005  
134/56 R  
8,813,303 B1 \* 8/2014 Meller ..... B08B 1/04  
15/246

(73) Assignee: **SUNGROW POWER SUPPLY CO., LTD.**, Anhui (CN)

(Continued)

(\*\*) Term: **15 Years**

OTHER PUBLICATIONS

(21) Appl. No.: **29/697,835**

Solar Panel Cleaning Robot <https://www.foundation-system.com/solar-panel-cleaning-robot/54115585.html> (Year: 2021).\*

(Continued)

(22) Filed: **Jul. 11, 2019**

*Primary Examiner* — Michelle E. Wilson  
*Assistant Examiner* — Richard E Yenchesky

(30) **Foreign Application Priority Data**

(74) *Attorney, Agent, or Firm* — Hamess, Dickey & Pierce, P.L.C.

Mar. 22, 2019 (CN) ..... 201930122769.4

(51) **LOC (13) Cl.** ..... **15-05**

(57) **CLAIM**

(52) **U.S. Cl.**  
USPC ..... **D32/16**

The ornamental design for an intelligent cleaning robot, as shown and described.

(58) **Field of Classification Search**

**DESCRIPTION**

USPC ..... D32/16, 17, 19, 21, 31  
CPC .... A47L 9/0477; A47L 9/2826; A47L 9/2852;  
A46B 13/02; A46B 15/0006; A46B 13/00;  
A46B 6/026; A46B 13/005; B08B 11/04;  
B08B 3/04; B08B 3/024; B08B 1/008;  
B08B 1/00; B08B 1/005; B08B 1/04;  
B08B 13/00; B25G 1/102; B25J 9/1664;  
C02F 1/001; E04G 23/002; C25B 1/04;  
F24S 10/30; F24S 40/00; F24S 40/20;  
F24S 30/425; F24S 25/13; F25D 13/04;  
F15D 1/008; G05D 1/0088; G05D 1/0225;  
G06T 7/13; G06T 7/001; G01N 21/17;  
H02S 40/10; H01L 31/048; H04N 5/2257;  
H02K 15/165

FIG. 1 is a front view of an intelligent cleaning robot;  
FIG. 2 is a rear view thereof;  
FIG. 3 is a left view thereof;  
FIG. 4 is a right view thereof;  
FIG. 5 is a bottom view thereof;  
FIG. 6 is a top view thereof;  
FIG. 7 is a perspective view thereof;  
FIG. 8 is an enlarged view of FIG. 5;  
FIG. 9 is an enlarged view of FIG. 6;  
FIG. 10 is a partial enlarged view of an area identified as 10 in FIG. 2; and,

See application file for complete search history.

(Continued)

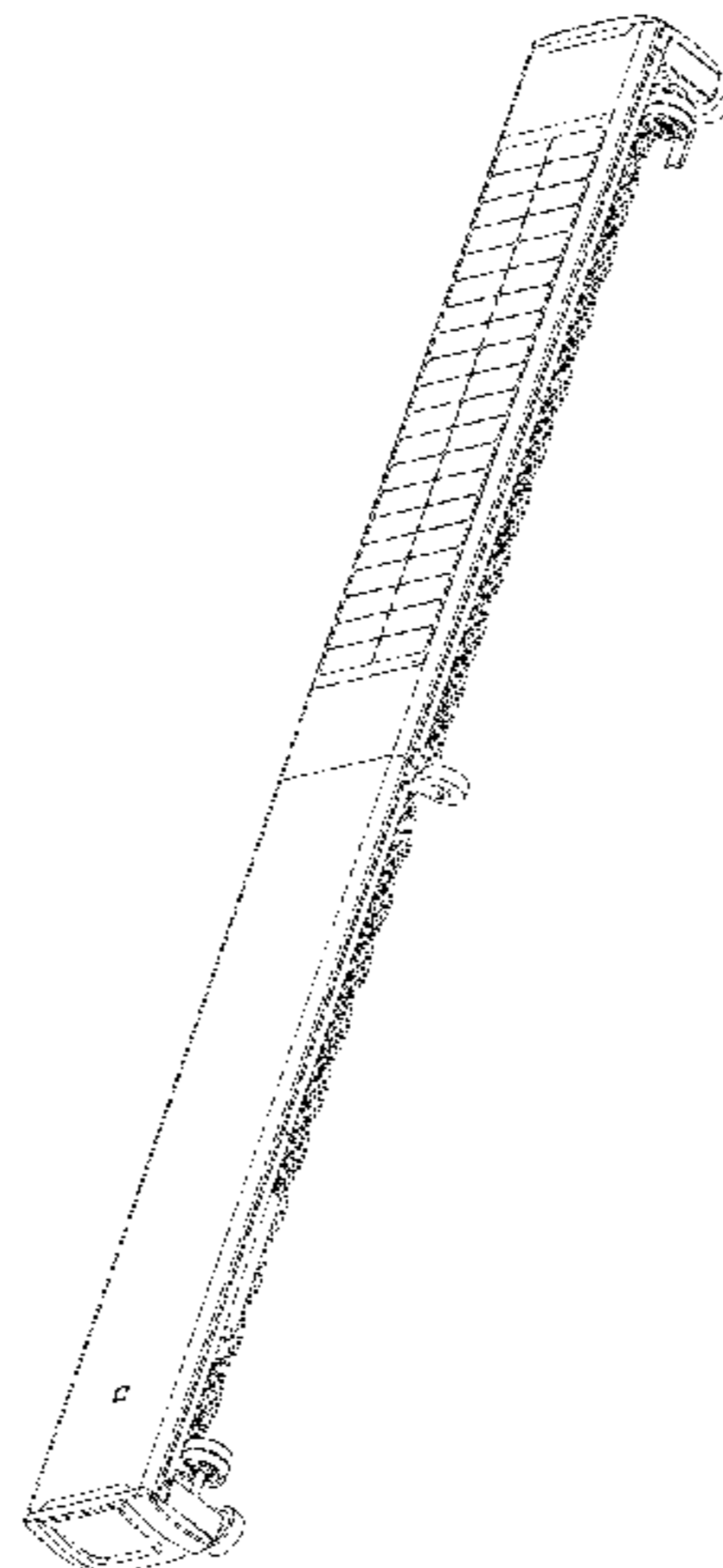


FIG. 11 is a partial enlarged view of an area identified as 11 in FIG. 3.

1 Claim, 11 Drawing Sheets

(56)

References Cited

U.S. PATENT DOCUMENTS

9,016,292 B1 \* 4/2015 Schneider ..... F24S 10/30  
134/105  
9,080,791 B1 \* 7/2015 Meller ..... F24S 40/00  
9,130,502 B1 \* 9/2015 Aly ..... B08B 11/04  
9,455,665 B1 \* 9/2016 Meller ..... H02S 40/10  
10,305,419 B1 \* 5/2019 Shugar ..... A46B 13/00  
10,305,420 B2 \* 5/2019 Parrott ..... A46B 13/02  
2007/0131027 A1 \* 6/2007 Otten ..... H02K 15/165  
73/468  
2007/0240278 A1 \* 10/2007 MacDonald ..... F24S 40/20  
15/405  
2009/0266353 A1 \* 10/2009 Lee ..... H02S 40/10  
126/593  
2010/0000570 A1 \* 1/2010 Mertins ..... B08B 1/008  
134/6  
2010/0043851 A1 \* 2/2010 Levy ..... H02S 40/10  
134/56 R  
2011/0094542 A1 \* 4/2011 Gonzalez Rodriguez .....  
B08B 1/00  
134/37  
2011/0094549 A1 \* 4/2011 Lin ..... B08B 1/008  
134/198  
2012/0125367 A1 \* 5/2012 Monkman ..... F24S 40/20  
134/18  
2013/0037051 A1 \* 2/2013 Eitelhuber ..... F24S 40/20  
134/6  
2013/0086761 A1 \* 4/2013 Singh ..... F24S 40/20  
15/77  
2013/0097790 A1 \* 4/2013 Liao ..... B08B 1/008  
15/88.4  
2013/0206173 A1 \* 8/2013 Zijlstra ..... B08B 1/04  
134/6  
2013/0305474 A1 \* 11/2013 Meller ..... B08B 5/00  
15/246  
2015/0349706 A1 \* 12/2015 Grossman ..... B08B 3/04  
134/6  
2016/0015164 A1 \* 1/2016 Bugg ..... F24S 40/20  
15/160

2016/0058256 A1 \* 3/2016 Ju ..... A47L 9/0477  
15/347  
2016/0144870 A1 \* 5/2016 Eitelhuber ..... B08B 1/04  
104/118  
2016/0193632 A1 \* 7/2016 Vahida ..... B08B 1/005  
15/93.1  
2016/0294319 A1 \* 10/2016 Ram ..... B08B 3/024  
2017/0019570 A1 \* 1/2017 Meller ..... G06T 7/001  
2017/0179873 A1 \* 6/2017 Eitelhuber ..... A46B 9/026  
2017/0373633 A1 \* 12/2017 Evans ..... B25G 1/102  
2018/0009006 A1 \* 1/2018 Eitelhuber ..... B08B 1/02  
2018/0212559 A1 \* 7/2018 Meller ..... F24S 30/425  
2018/0237085 A1 \* 8/2018 Jiang ..... B62D 55/32  
2018/0241343 A1 \* 8/2018 Jiang ..... H04N 5/2257  
2018/0313595 A1 \* 11/2018 Rezayat ..... F25D 13/04  
2018/0316303 A1 \* 11/2018 Bailey ..... F24S 40/20  
2018/0369874 A1 \* 12/2018 Jiang ..... B08B 13/00  
2019/0044476 A1 \* 2/2019 Al-Otaibi ..... A46B 15/0006  
2019/0056744 A1 \* 2/2019 Li ..... E04G 23/002  
2019/0093670 A1 \* 3/2019 Aggarwal ..... F15D 1/008  
2019/0181799 A1 \* 6/2019 Naffa'a ..... G01N 21/17  
2019/0190440 A1 \* 6/2019 Kingsley ..... F24S 25/13  
2020/0002828 A1 \* 1/2020 Mills ..... C25B 1/04  
2020/0012291 A1 \* 1/2020 Peng ..... B25J 9/1664  
2020/0021239 A1 \* 1/2020 Meller ..... B08B 1/008  
2020/0044600 A1 \* 2/2020 Mareli ..... H02S 40/10  
2020/0066925 A1 \* 2/2020 Tombs ..... H01L 31/048  
2020/0130196 A1 \* 4/2020 Wang ..... H02S 40/10  
2020/0169215 A1 \* 5/2020 Peng ..... G06T 7/13  
2020/0187740 A1 \* 6/2020 Gao ..... A47L 9/0477  
2020/0238348 A1 \* 7/2020 Wang ..... B08B 13/00  
2020/0275812 A1 \* 9/2020 Burbank ..... A47L 9/0477  
2020/0298415 A1 \* 9/2020 Sun ..... A47L 9/2826  
2020/0355402 A1 \* 11/2020 Acharya ..... F24S 40/20  
2020/0409382 A1 \* 12/2020 Herman ..... G05D 1/0088  
2021/0000311 A1 \* 1/2021 Tang ..... A47L 9/2852  
2021/0006202 A1 \* 1/2021 Mohan ..... B08B 1/04  
2021/0050814 A1 \* 2/2021 Lim ..... H02S 40/10  
2021/0061675 A1 \* 3/2021 Bishop ..... C02F 1/001  
2021/0104974 A1 \* 4/2021 Meller ..... G05D 1/0225

OTHER PUBLICATIONS

Solar Power Intelligent Cleaning [https://www.alibaba.com/product-detail/Global-leader-solar-panels-intelligent-cleaning\\_1600119909068.html?spm=a2700.pc\\_countrysearch.main07.36.485921833PuhLg](https://www.alibaba.com/product-detail/Global-leader-solar-panels-intelligent-cleaning_1600119909068.html?spm=a2700.pc_countrysearch.main07.36.485921833PuhLg) (Year: 2021).\*

\* cited by examiner

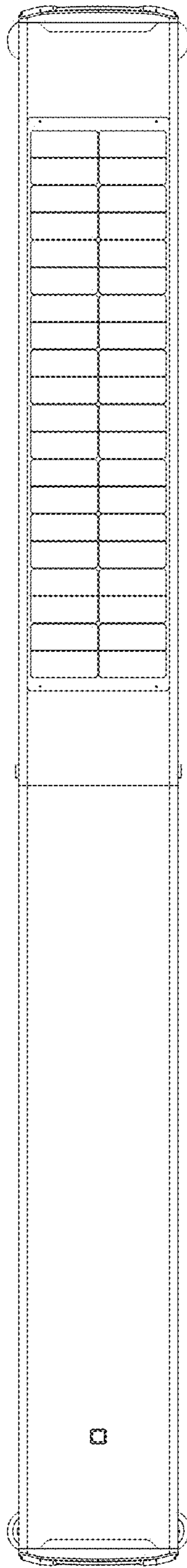


Fig. 1



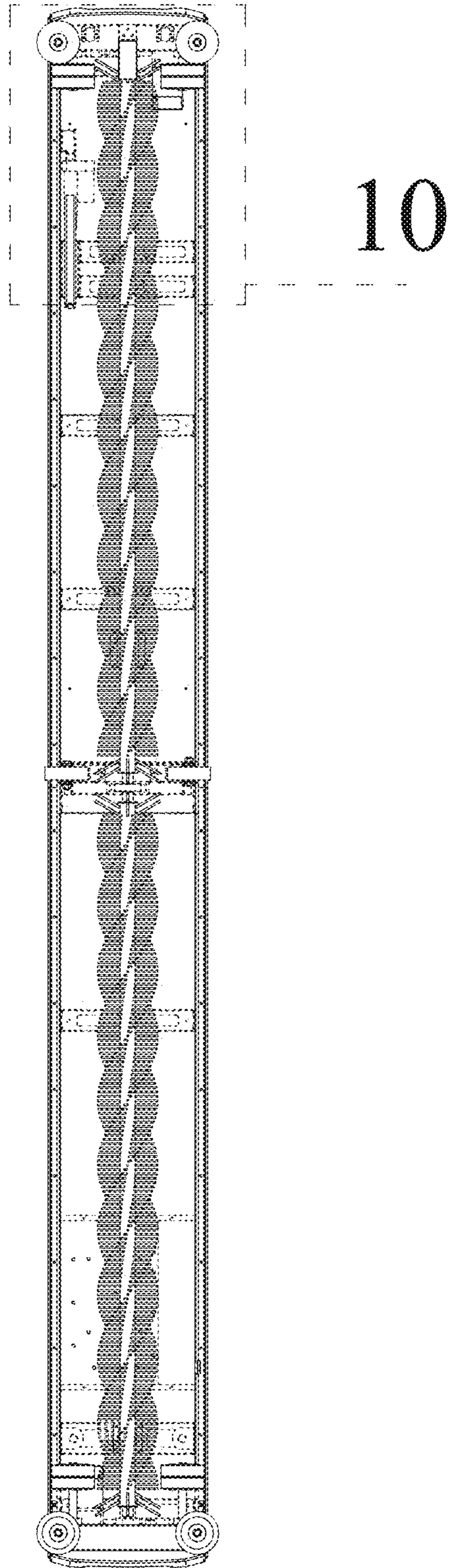


Fig. 2

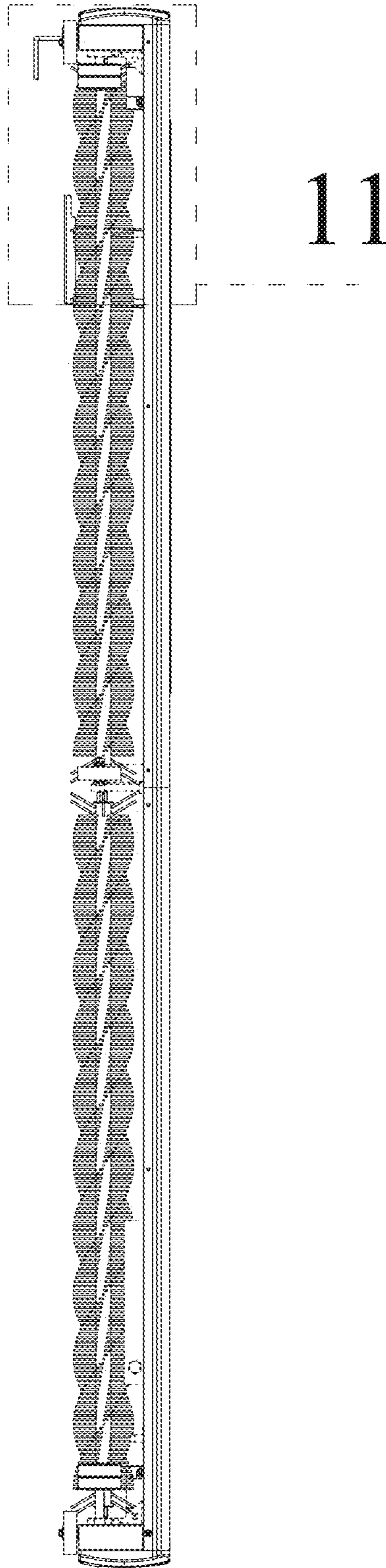


Fig. 3

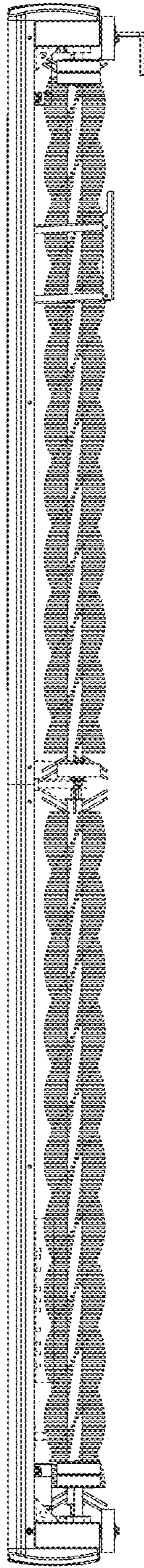


Fig. 4

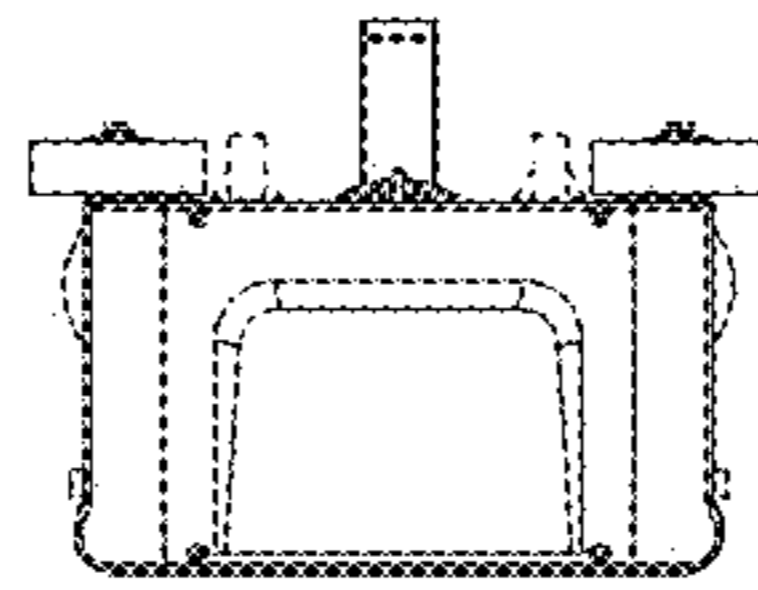


Fig. 5

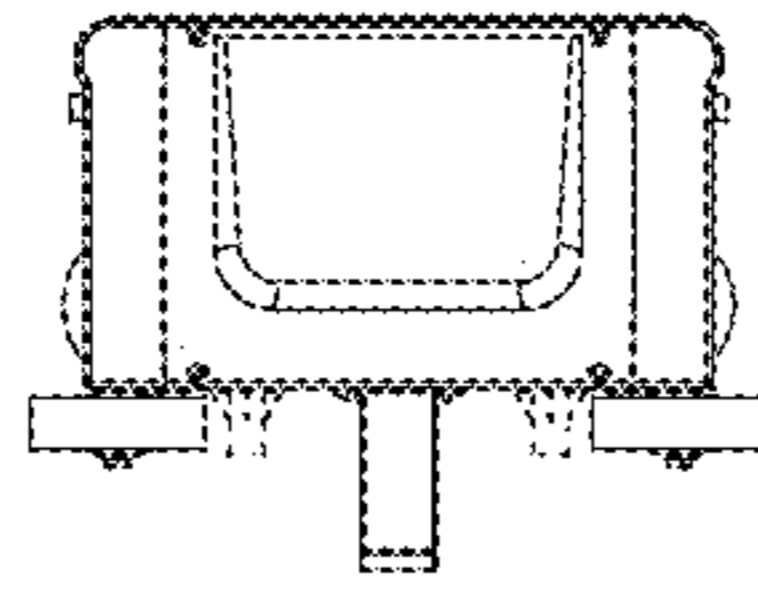


Fig. 6



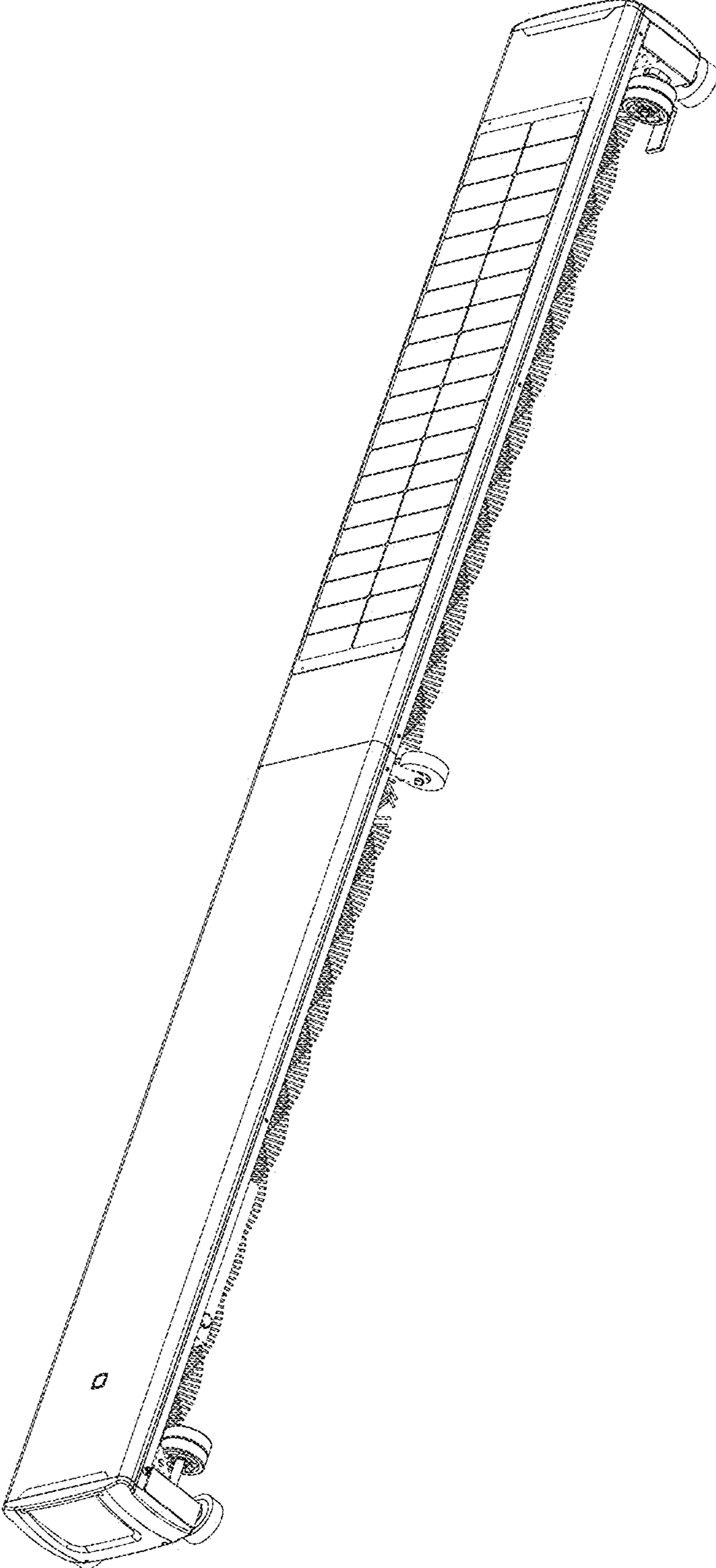


Fig. 7

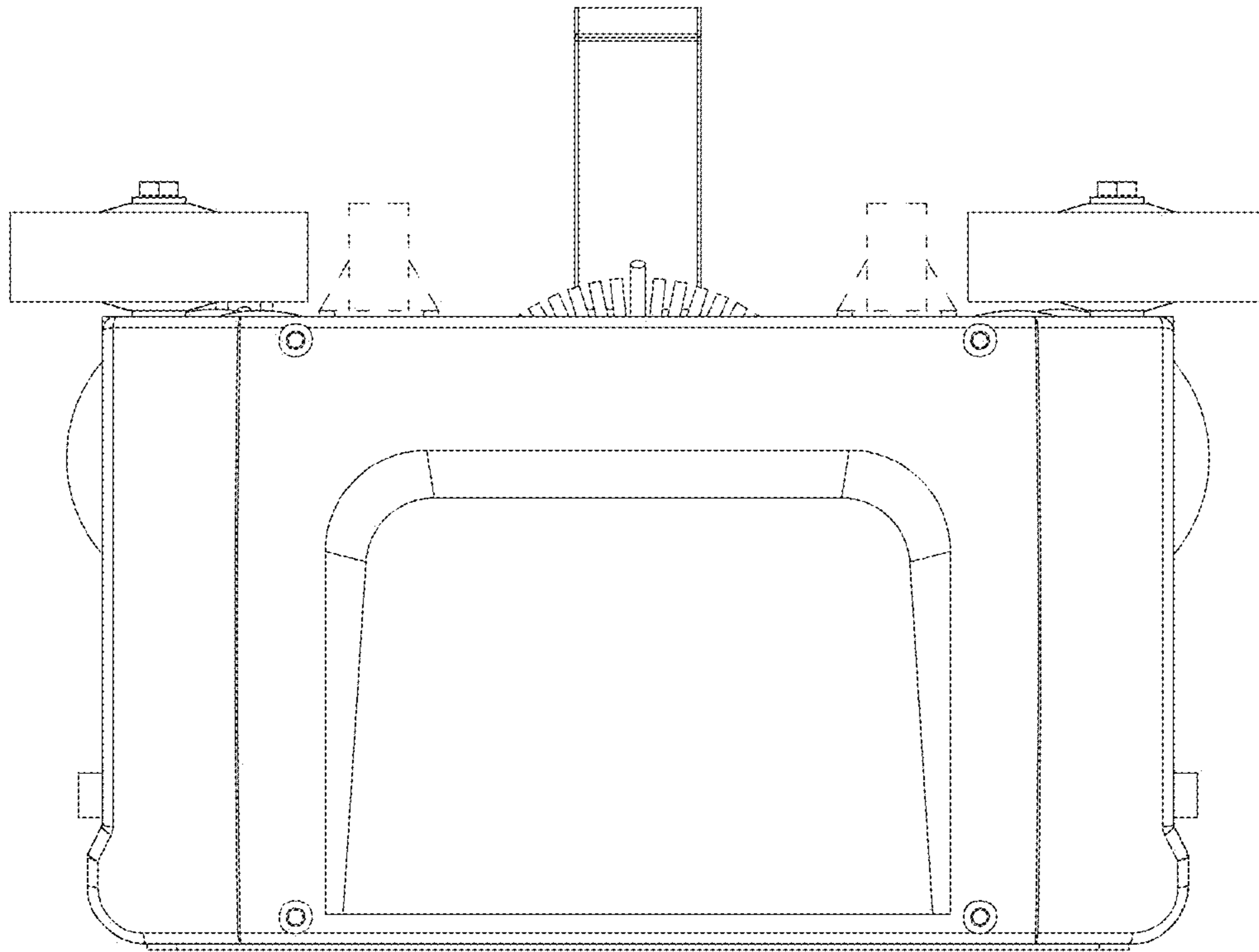


Fig. 8

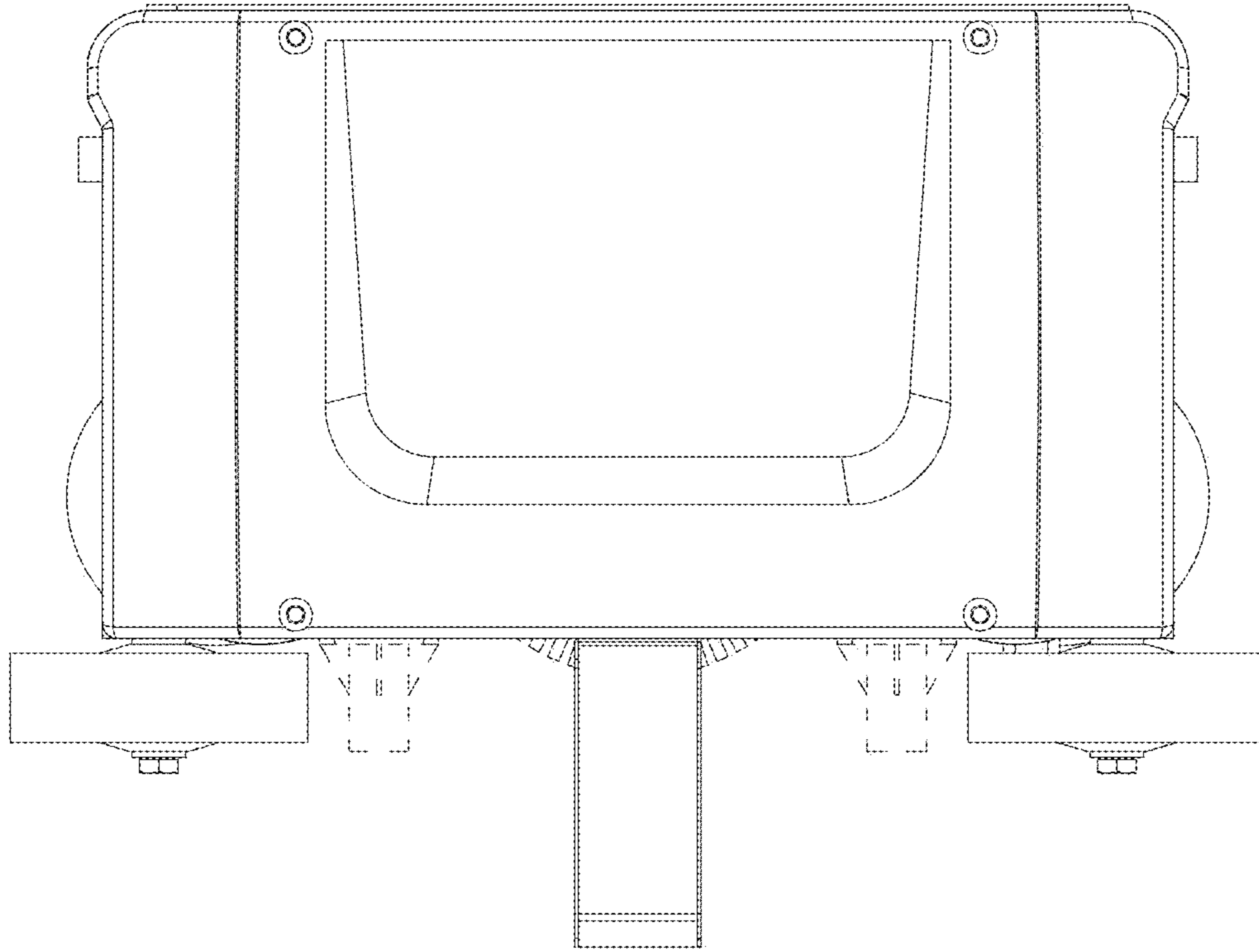


Fig. 9

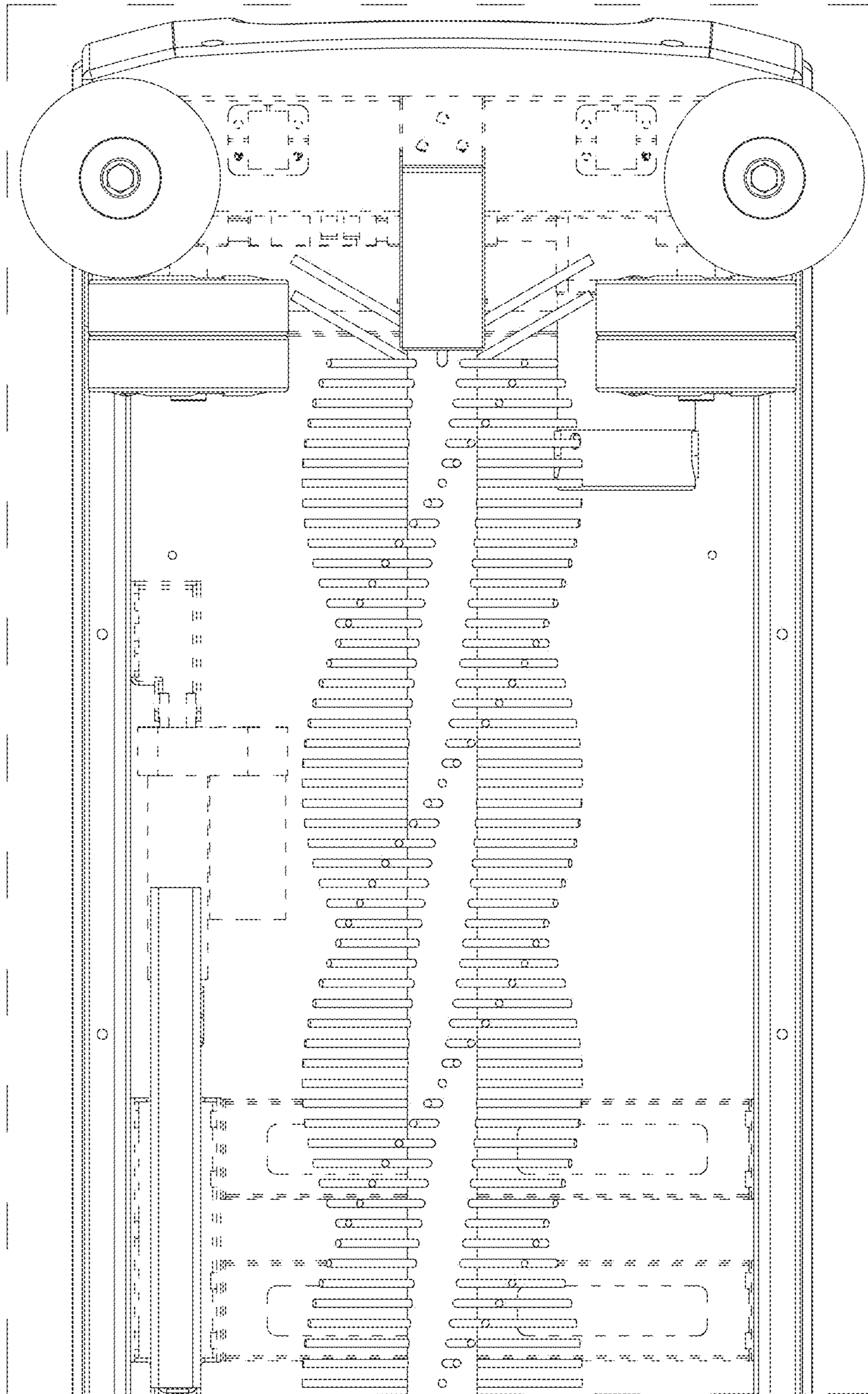


Fig. 10

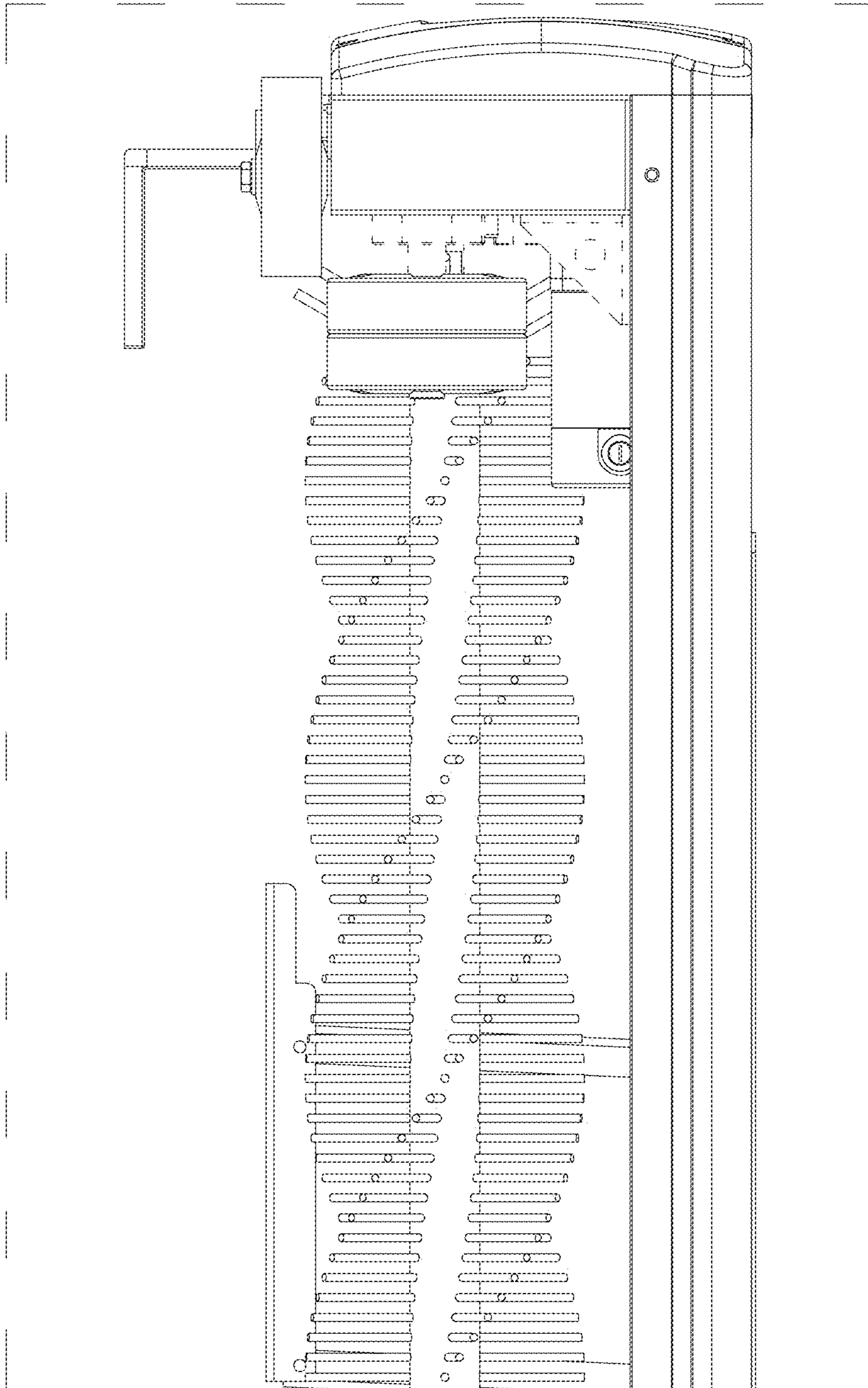


Fig. 11