



US00D938113S

(12) **United States Design Patent** (10) **Patent No.:** **US D938,113 S**
Wang et al. (45) **Date of Patent:** **** Dec. 7, 2021**

(54) **WASHING MACHINE**
(71) Applicant: **Shenzhen Gadgetwoo Tech. Co., Ltd.**,
Guangdong (CN)
(72) Inventors: **Yang Wang**, Guangdong (CN); **Ruifeng Liu**, Guangdong (CN)
(**) Term: **15 Years**
(21) Appl. No.: **29/736,700**
(22) Filed: **Jun. 2, 2020**
(51) **LOC (13) Cl.** **15-05**
(52) **U.S. Cl.**
USPC **D32/15**
(58) **Field of Classification Search**
USPC D15/199; D23/225; D32/8, 15, 16, 17,
D32/25
CPC B08B 3/026; B08B 13/00; F04B 17/03;
B65H 75/4478; F16D 3/2057
See application file for complete search history.

D647,672 S * 10/2011 Alexander D32/15
D648,081 S * 11/2011 Alexander D32/15
D648,493 S * 11/2011 Alexander D32/15
D660,525 S * 5/2012 Alexander D32/15
D661,438 S * 6/2012 Alexander D32/15
D664,724 S * 7/2012 Chen D32/15
D675,794 S * 2/2013 Chen D32/15
D694,968 S * 12/2013 Dammkoehler D32/15
D695,321 S * 12/2013 Dammkoehler D15/15
D696,824 S * 12/2013 Dammkoehler D32/15
D711,603 S * 8/2014 Alenxander D32/16
D728,872 S * 5/2015 Alexander D32/15

(Continued)

OTHER PUBLICATIONS

Paxess manual Aug. 9, 2021 <https://manuals.plus/paxcess/high-pressure-washer-manual-3-pdf> (Year: 2021).*

(Continued)

Primary Examiner — Michelle E. Wilson
Assistant Examiner — Richard E Yenchesky

(57) **CLAIM**

The ornamental design for a washing machine, as shown and described.

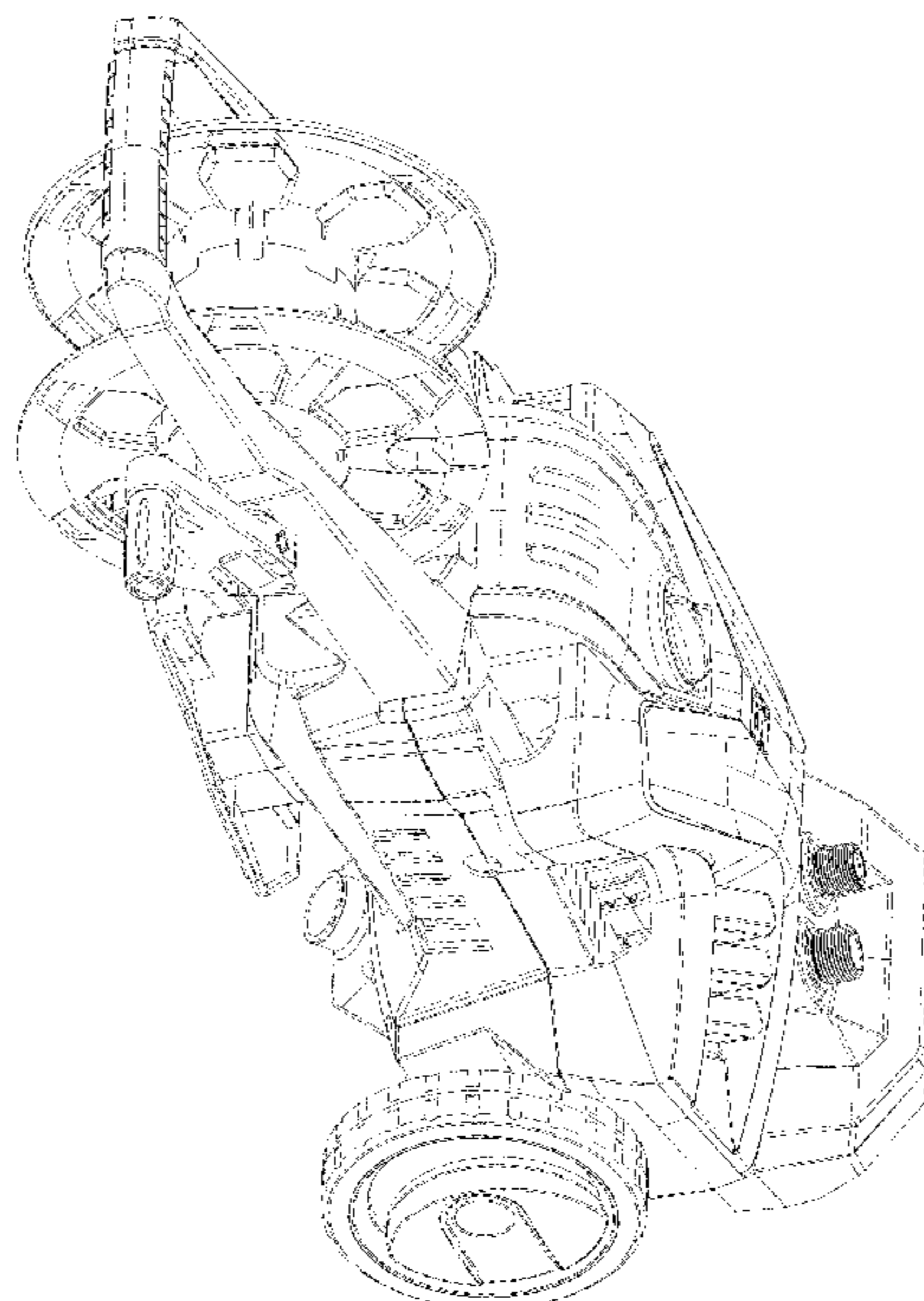
DESCRIPTION

FIG. 1 is a front elevational view of a washing machine showing my new design;
FIG. 2 is a rear elevational view thereof;
FIG. 3 is a left sideview thereof;
FIG. 4 is a right sideview thereof;
FIG. 5 is a top planview thereof;
FIG. 6 is a bottom plan view thereof;
FIG. 7 is a perspective view from rear side thereof;
FIG. 8 is a perspective view from front side thereof;
FIG. 9 is a perspective view from left side thereof; and,
FIG. 10 is a perspective view from bottom side thereof.

1 Claim, 10 Drawing Sheets

(56) **References Cited**
U.S. PATENT DOCUMENTS

D528,714 S * 9/2006 Hong D32/15
D532,166 S * 11/2006 Reverberi D32/4
D551,812 S * 9/2007 Renner D32/15
D551,813 S * 9/2007 Renner D32/15
D551,814 S * 9/2007 Renner D32/15
D556,959 S * 12/2007 Li D32/15
D564,146 S * 3/2008 Li D32/15
D564,147 S * 3/2008 Li D32/15
D568,557 S * 5/2008 Alexander D32/15
D570,060 S * 5/2008 Renner D32/15
D576,703 S * 9/2008 Nathan D23/225
D591,014 S * 4/2009 Li D32/15
D630,390 S * 1/2011 Meyer D32/15
D646,853 S * 10/2011 Alexander D32/15
D647,256 S * 10/2011 Alexander D32/15
D647,257 S * 10/2011 Alexander D32/15
D647,258 S * 10/2011 Alexander D32/15



(56)

References Cited

U.S. PATENT DOCUMENTS

D729,468	S *	5/2015	Dammkoehler	D32/15
D737,528	S *	8/2015	Dammkoehler	D32/25
D739,100	S *	9/2015	Tatic	D32/16
D743,643	S *	11/2015	Casey	D32/15
D781,010	S *	3/2017	Meyer	D32/16
D781,511	S *	3/2017	Meyer	D32/16
10,112,220	B2 *	10/2018	Pfaff	B08B 3/026
D838,926	S *	1/2019	Delgado	D32/16
D841,906	S *	2/2019	Weinberg	D32/16
D849,344	S *	5/2019	Chavana, Jr.	D32/22
D851,148	S *	6/2019	Wang	D15/199
D879,394	S *	3/2020	Kranzle	D32/16
D894,505	S *	8/2020	Yang	D32/15
D903,960	S *	12/2020	Yang	D32/15
D918,499	S *	5/2021	Xu	D32/15
D927,802	S *	8/2021	Alexander	D32/15
D931,560	S *	9/2021	Xu	D32/16
2021/0121907	A1 *	4/2021	Weik	F16D 3/2057
2021/0121923	A1 *	4/2021	Werner	B08B 13/00
2021/0122605	A1 *	4/2021	Tost	B65H 75/4478
2021/0170453	A1 *	6/2021	Kohler Fernandez ..	F04B 17/03

OTHER PUBLICATIONS

Paxcess Electric Pressure Washer <https://www.amazon.com/gp/product/B097Q8D656/?creative=9325&camp=1789&tag=dealnewscom&m=AAOPU88PXB74W&ascsubtag=do5sb5le1hilm6164etr5FA2rxHY2eWa> (Year: 2021).*

* cited by examiner

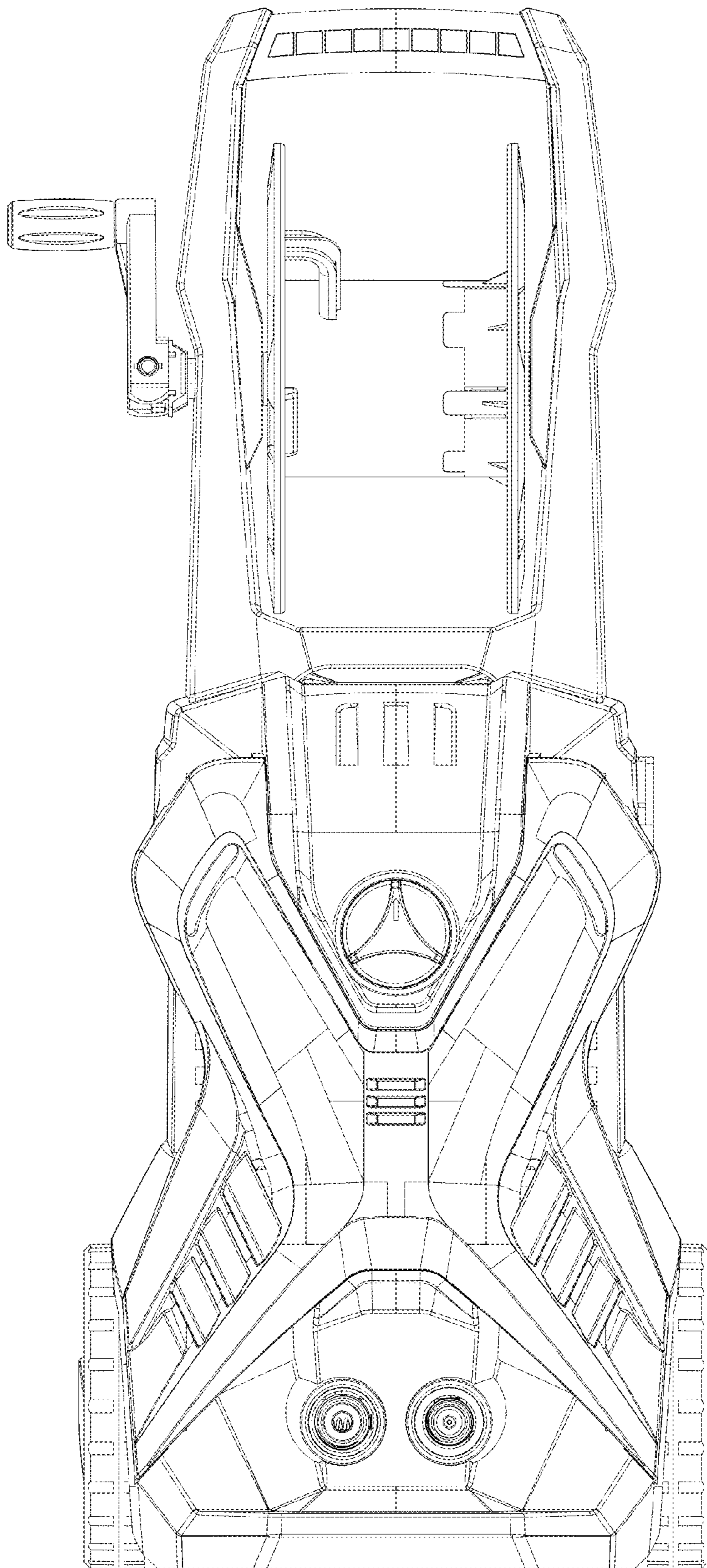


Fig. 1

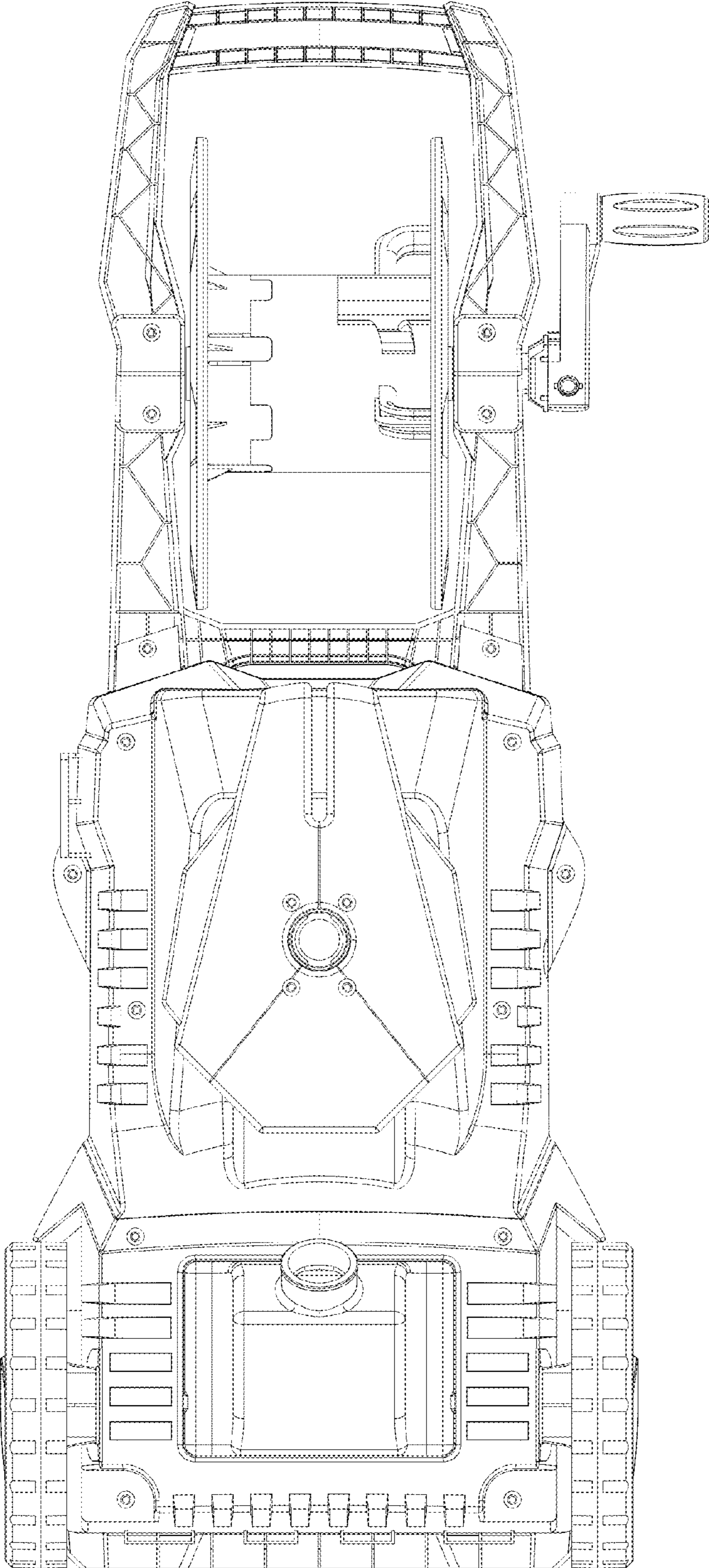


Fig. 2

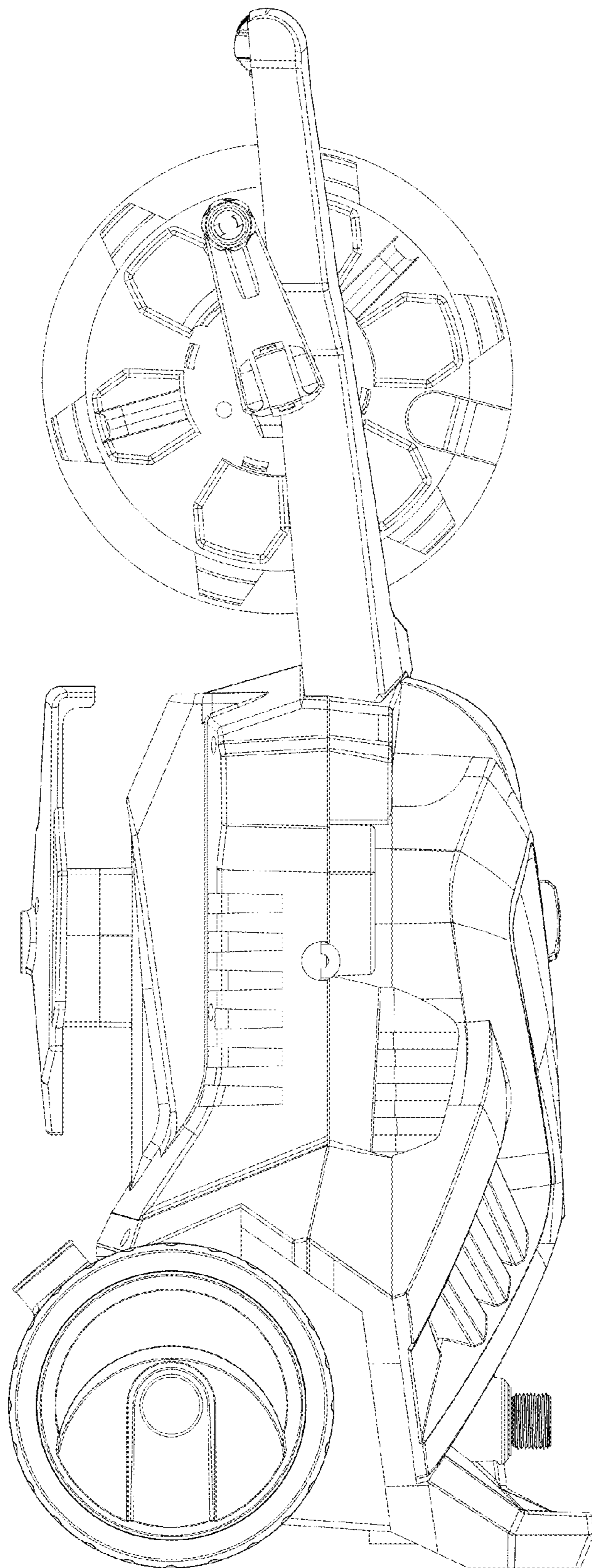


Fig. 3

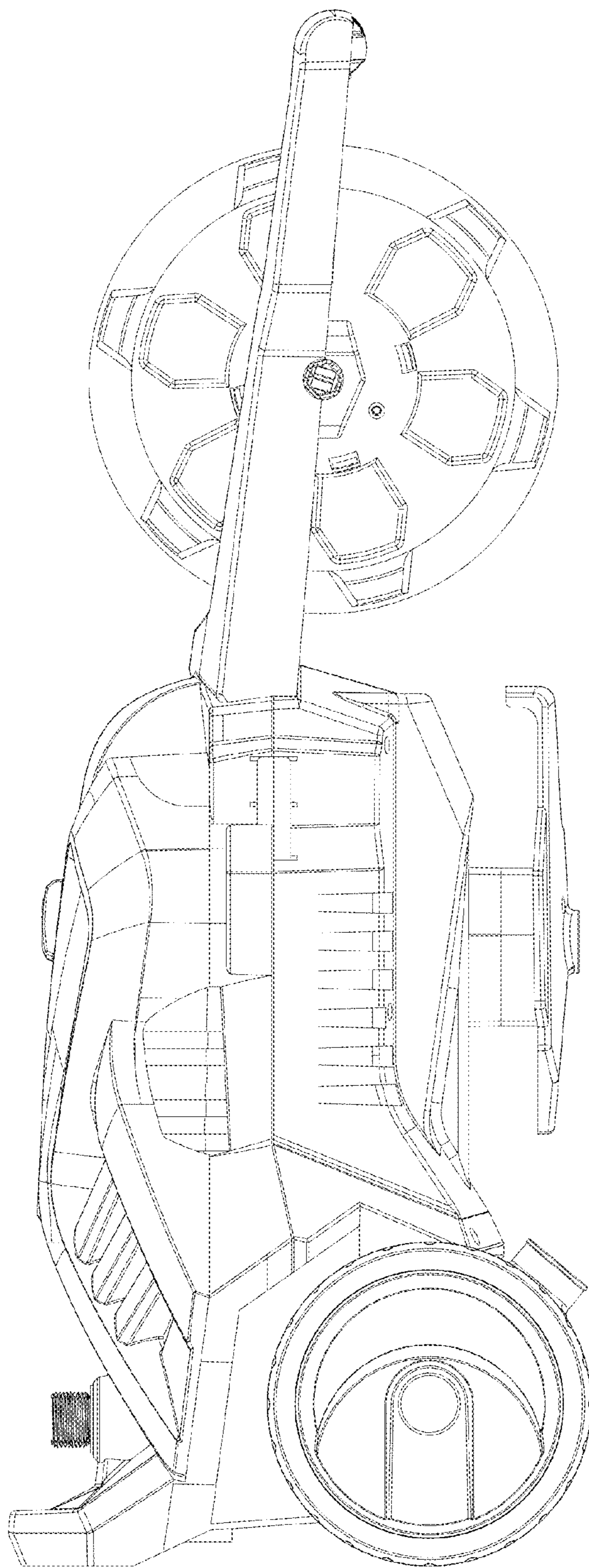


Fig. 4

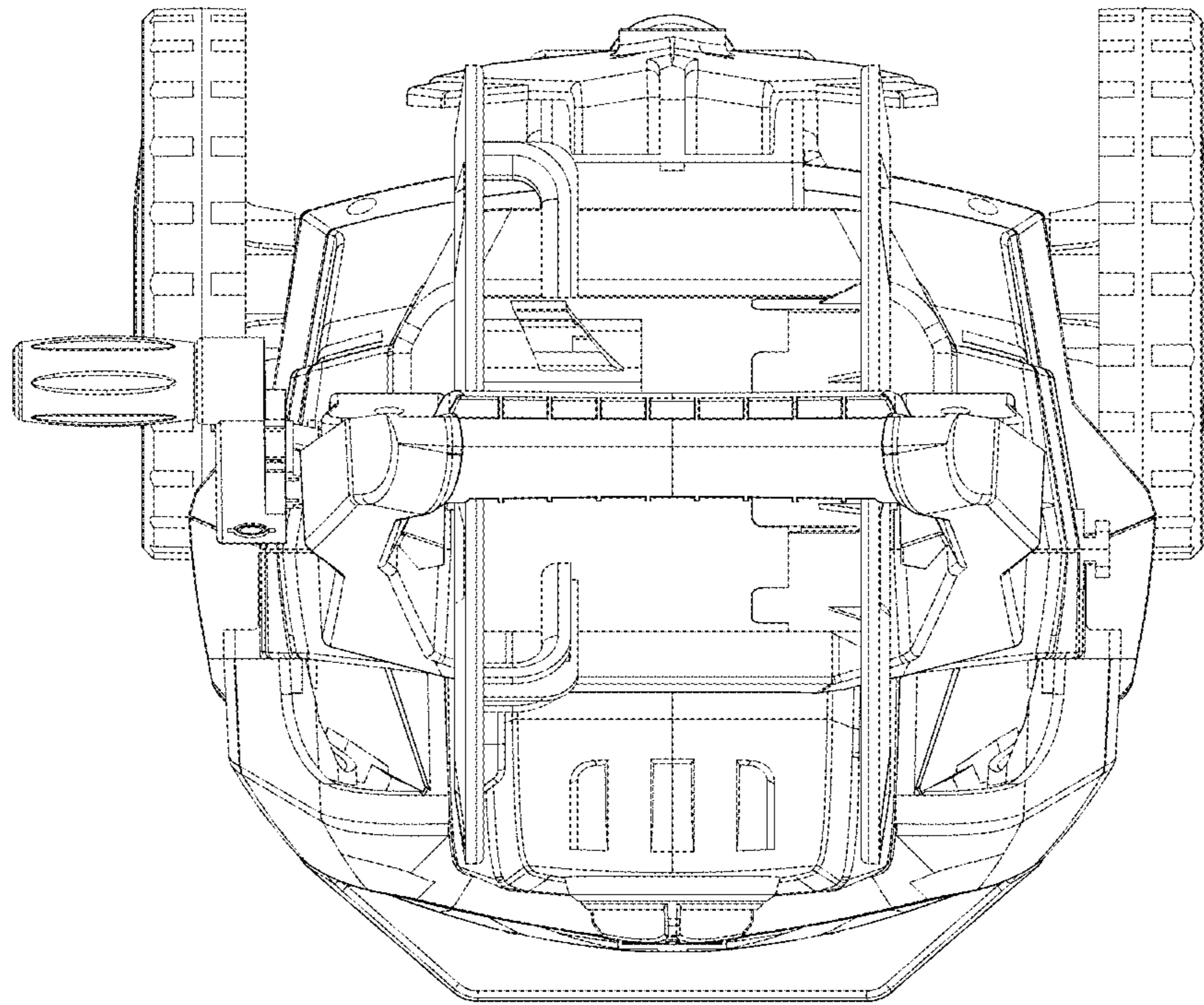


Fig. 5

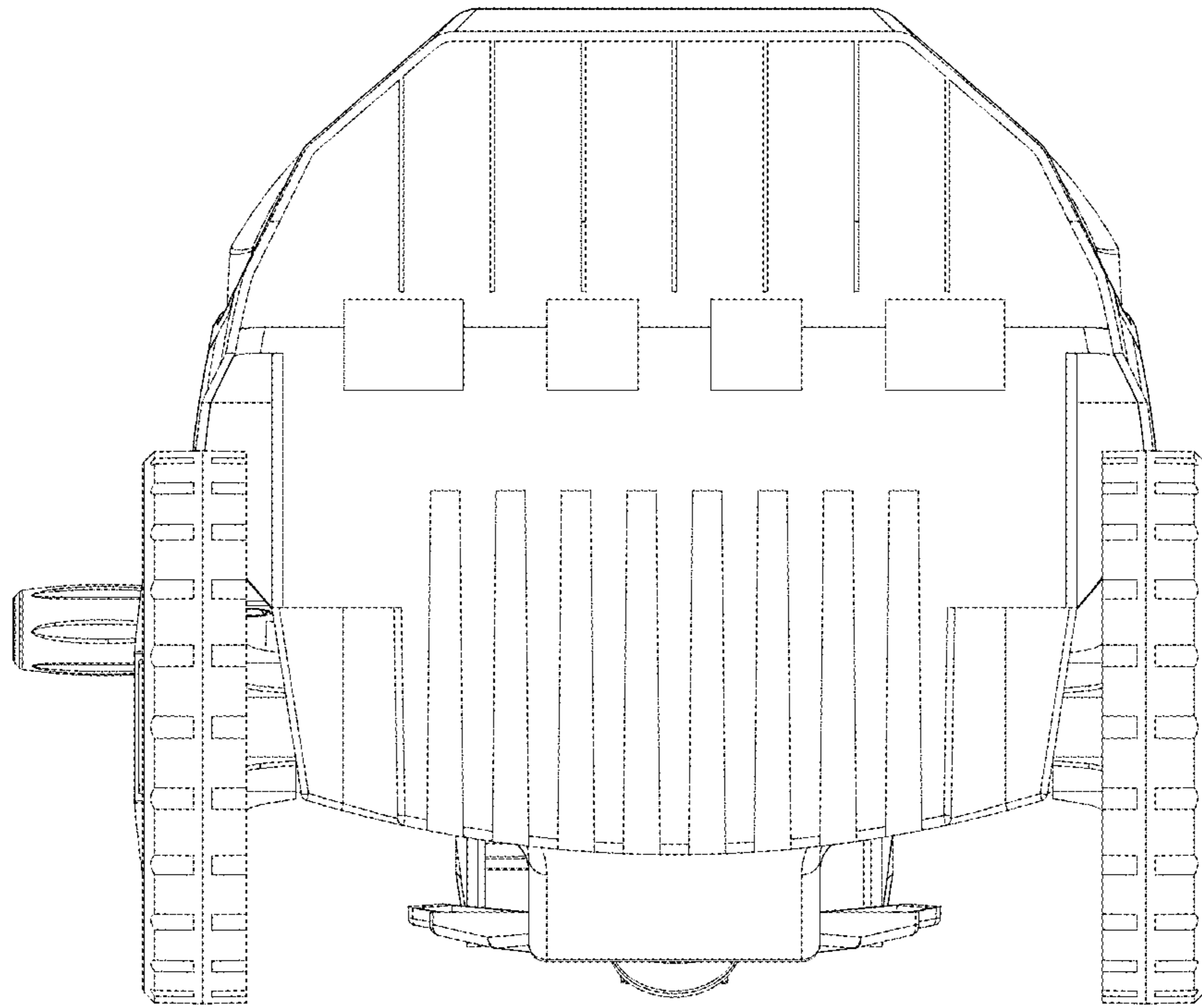


Fig. 6

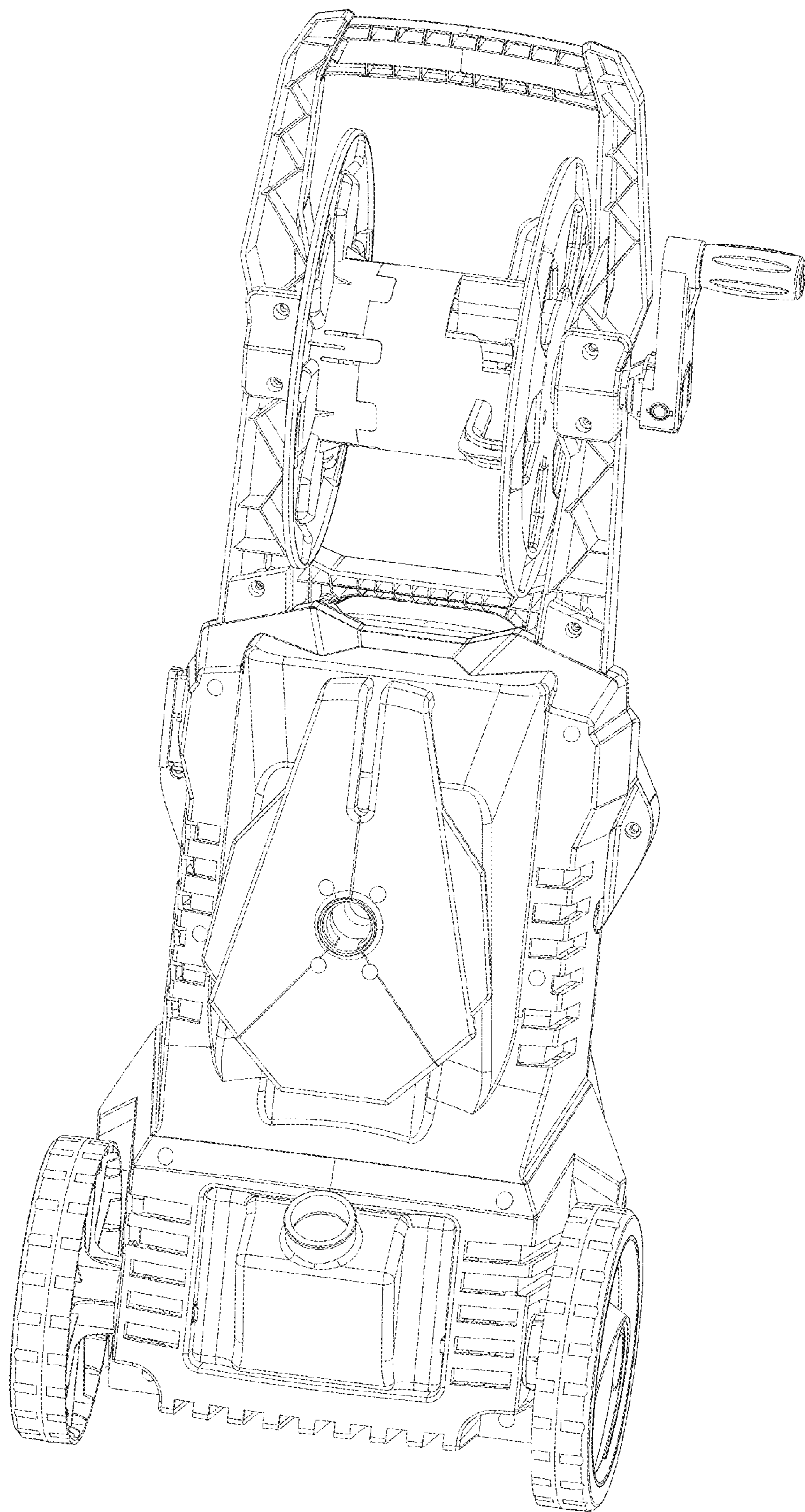


Fig. 7

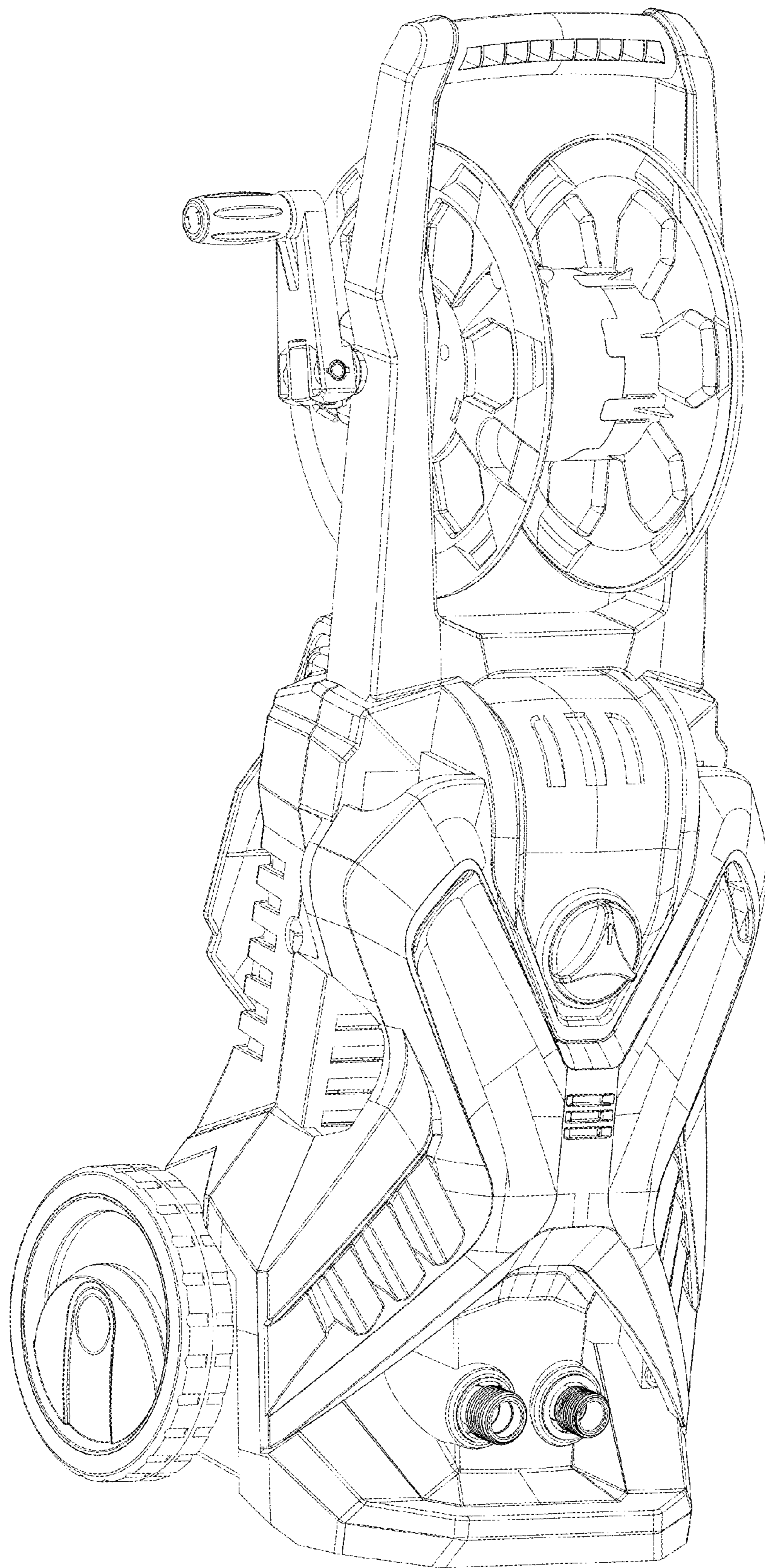


Fig. 8

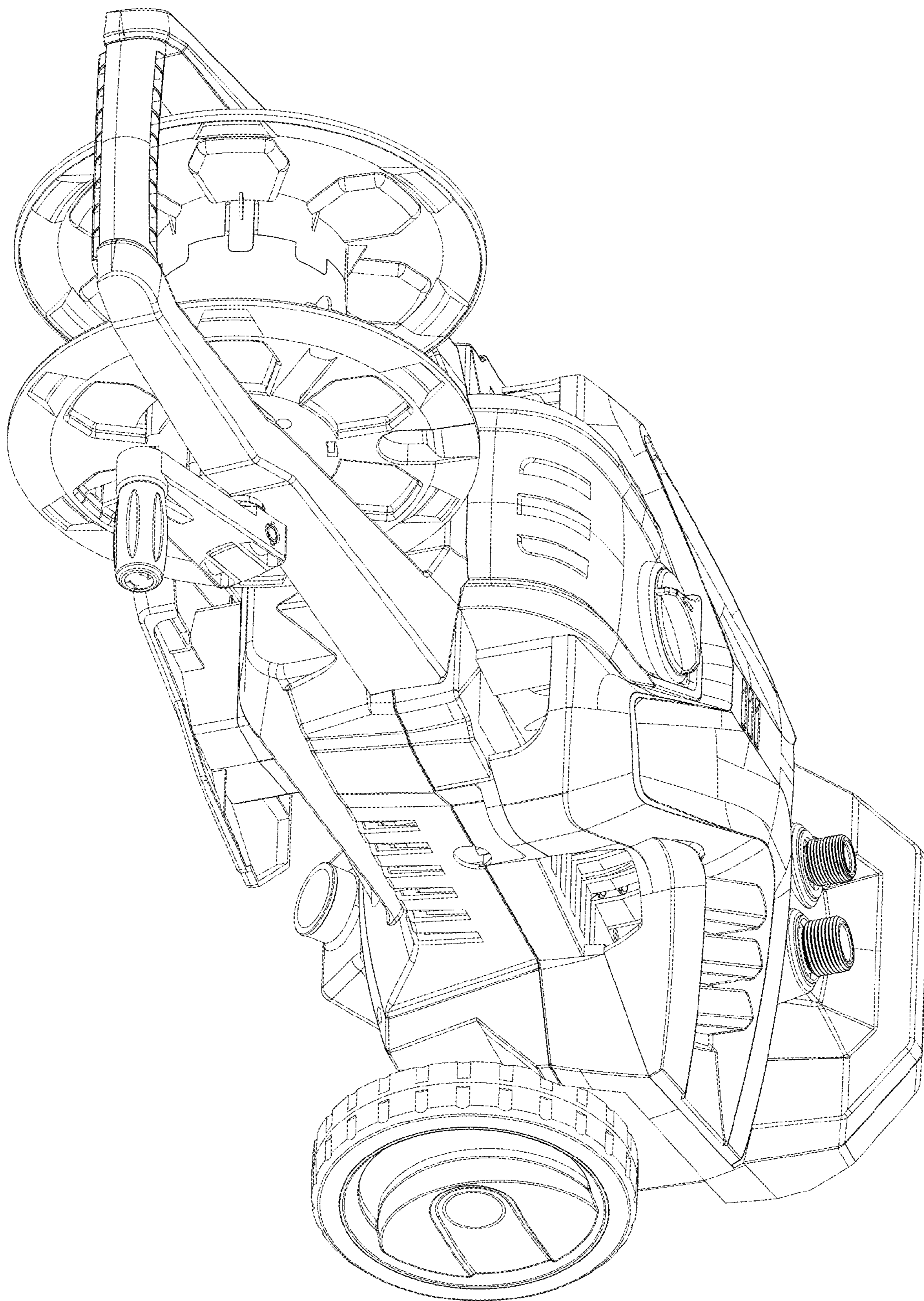


Fig. 9

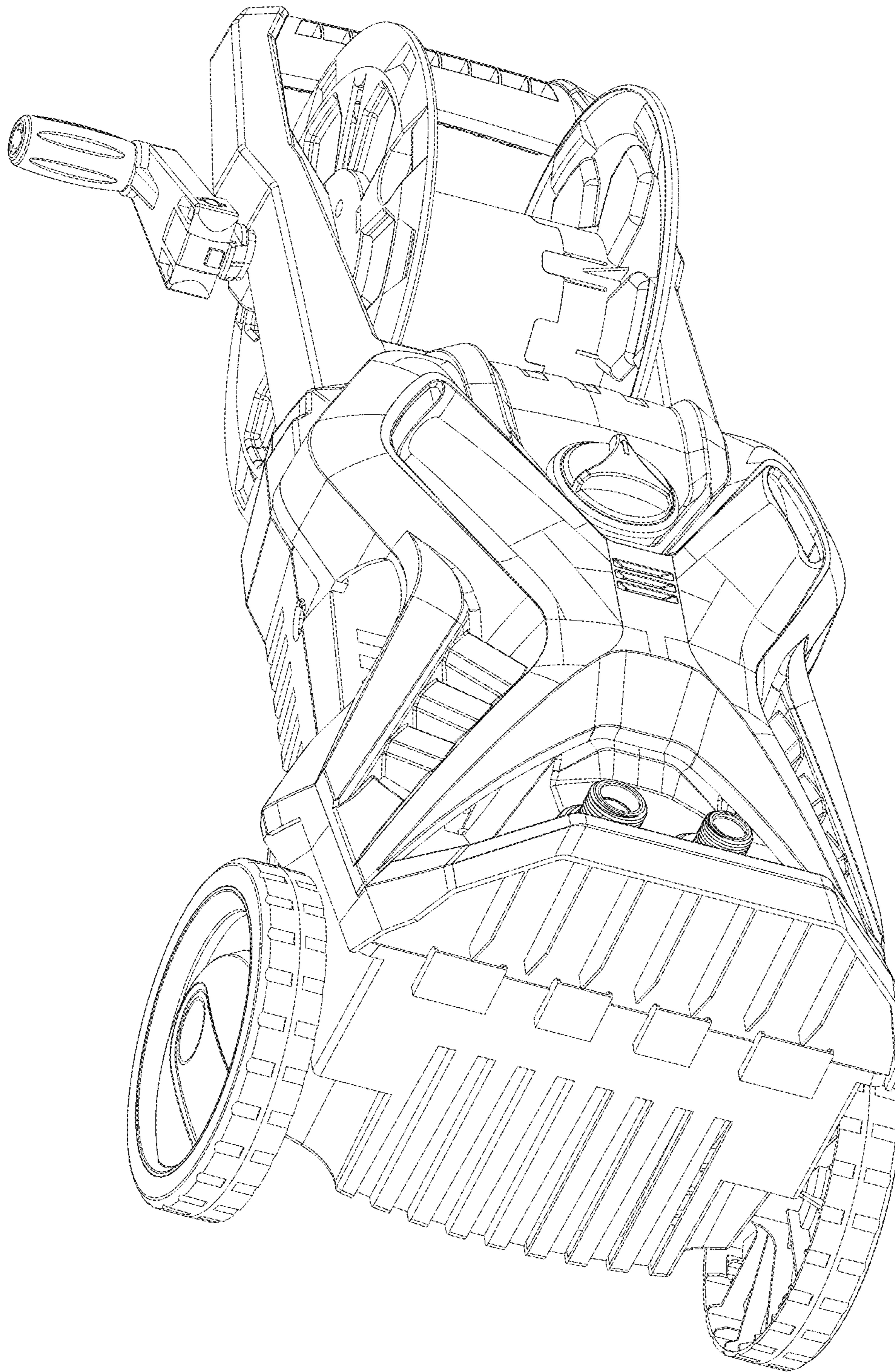


Fig. 10