



US00D938112S

(12) **United States Design Patent** (10) **Patent No.:** **US D938,112 S**
Masters (45) **Date of Patent:** **** Dec. 7, 2021**

(54) **PRESSURE WASHER**
(71) Applicant: **Briggs & Stratton, LLC**, Wauwatosa, WI (US)

D580,610 S 11/2008 Hawkins
D590,110 S * 4/2009 Hawkins D32/25
D596,817 S * 7/2009 Glass D32/25
(Continued)

(72) Inventor: **Tyler D. Masters**, Butler, WI (US)
(73) Assignee: **Briggs & Stratton, LLC**, Wauwatosa, WI (US)

FOREIGN PATENT DOCUMENTS

JP 2009-140718 A 6/2009
JP 2011-028963 A 2/2011
JP 2014-013663 A 1/2014

(**) Term: **15 Years**
(21) Appl. No.: **29/667,067**
(22) Filed: **Oct. 18, 2018**

OTHER PUBLICATIONS

Lifan Elite Series <https://www.discountcleaningproducts.com/LIFAN-Elite-Series-4-500-PSI-4-0-GPM-AR-Tri-Plex-P-p/lfq4515e-elite.htm> (Year: 2021).*

Related U.S. Application Data

(62) Division of application No. 29/584,375, filed on Nov. 14, 2016, now Pat. No. Des. 834,269.
(51) **LOC (13) Cl.** **15-05**
(52) **U.S. Cl.**
USPC **D32/15**
(58) **Field of Classification Search**
USPC D32/16, 21, 15; D34/14, 19, 12; D23/359; D15/5
CPC B08B 3/026; B08B 31/12; B05B 9/0855; B05B 1/1654; B05B 174/05; F05B 9/0426; F04B 17/05; F04B 49/24
See application file for complete search history.

Primary Examiner — Michelle E. Wilson
Assistant Examiner — Richard E Yenchesky
(74) *Attorney, Agent, or Firm* — Foley & Lardner LLP

(57) **CLAIM**

I claim the ornamental design for a pressure washer, as shown and described.

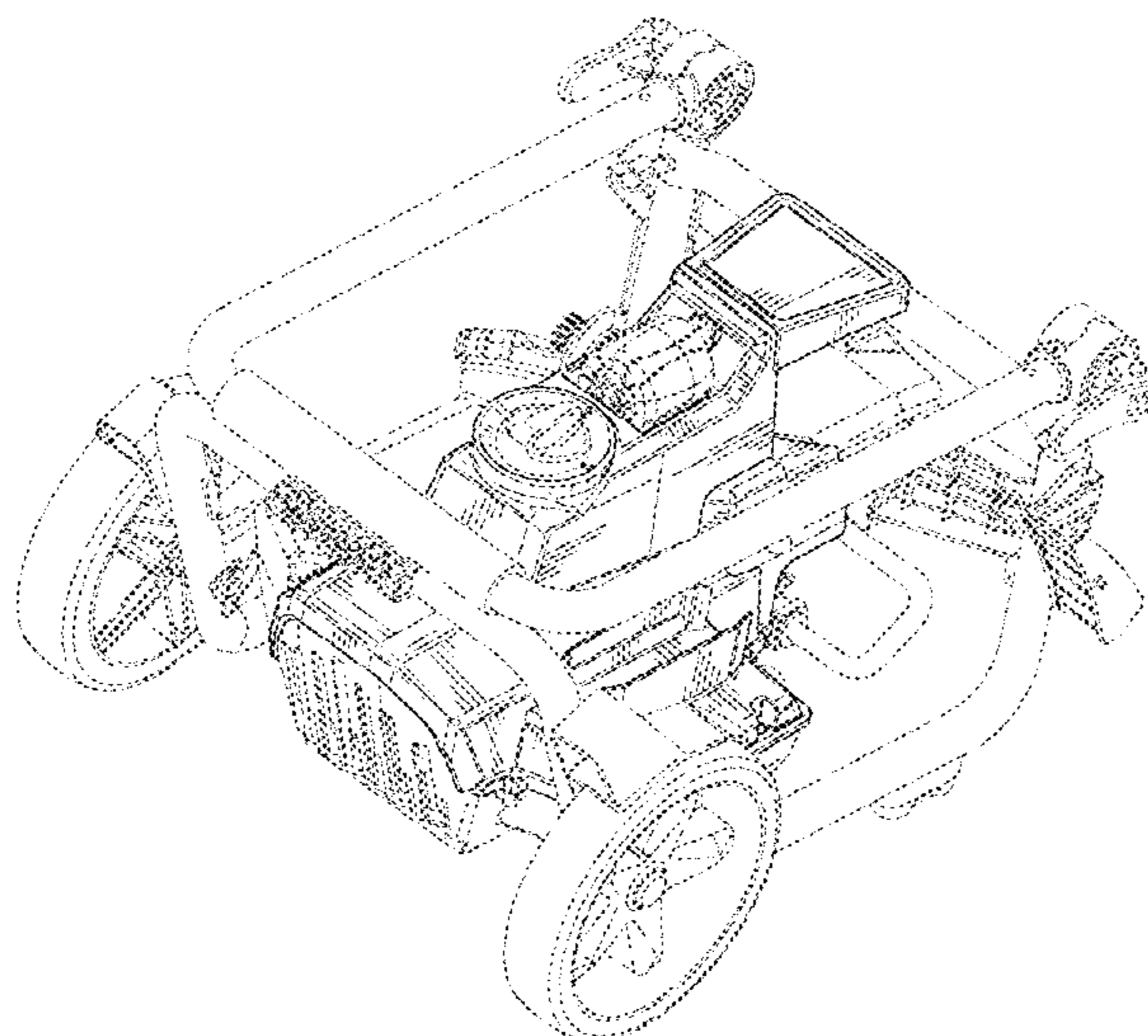
DESCRIPTION

FIG. 1 is a perspective view of the claimed design, with the pressure washer in a first orientation and with the handle in the first position;
FIG. 2 is a perspective view of the claimed design with the handle in the second position;
FIG. 3 is a perspective view of the claimed design with the pressure washer in a second orientation and the handle in the first position;
FIG. 4 is a rear view thereof;
FIG. 5 is a front view thereof;
FIG. 6 is a right side view thereof;
FIG. 7 is a left side view thereof;
FIG. 8 is a top view thereof; and,
FIG. 9 is a bottom view of the claimed design.
Any portion of the article depicted in broken lines forms no part of the claimed design.

(56) **References Cited**
U.S. PATENT DOCUMENTS

2,785,925 A 3/1957 Bell et al.
3,545,786 A 12/1970 Yoder
5,405,086 A 4/1995 Kranzle
5,494,414 A 2/1996 Steinhart et al.
D375,590 S 11/1996 Steinhart et al.
D458,423 S * 6/2002 Rehkugler D32/1
D459,851 S * 7/2002 Rehkugler D34/24
D467,692 S 12/2002 Steinhart et al.
D579,612 S * 10/2008 Rutkowski D32/25

1 Claim, 9 Drawing Sheets



(56)

References Cited

U.S. PATENT DOCUMENTS

D622,471 S 8/2010 Hernandez
 D633,263 S * 2/2011 Fay D32/15
 D634,083 S * 3/2011 Fay D32/15
 D639,001 S * 5/2011 Alexander D32/15
 D648,082 S * 11/2011 Alexander D32/15
 8,337,172 B2 12/2012 Klika et al.
 8,398,097 B2 3/2013 Junk et al.
 8,408,882 B2 4/2013 Klika et al.
 D688,841 S * 8/2013 van Deursen D32/25
 8,500,046 B2 8/2013 Gilpatrick et al.
 8,590,814 B2 11/2013 Gilpatrick et al.
 D702,900 S * 4/2014 Kahan D32/16
 D703,888 S 4/2014 Kahan et al.
 8,814,531 B2 8/2014 Raasch
 D732,764 S * 6/2015 Kennard D32/15
 D733,373 S * 6/2015 Kahan D32/16
 D742,080 S 10/2015 Rigon
 D749,805 S 2/2016 Janik et al.
 D824,612 S * 7/2018 Alexander D32/16
 D824,613 S * 7/2018 Alexander D32/16

D834,269 S * 11/2018 Masters D32/15
 D910,252 S * 2/2021 Schuetz D32/16
 D910,942 S * 2/2021 Schuetz D32/16
 D911,640 S * 2/2021 Schuetz D32/16
 2006/0102745 A1 * 5/2006 Dexter B05B 9/0855
 239/146
 2007/0207043 A1 9/2007 Hahn et al.
 2009/0317262 A1 12/2009 Gilpatrick
 2010/0282862 A1 11/2010 Gilpatrick
 2011/0171045 A1 7/2011 Gilpatrick et al.
 2011/0315176 A1 12/2011 Gilpatrick
 2012/0018534 A1 1/2012 Gilpatrick
 2012/0111378 A1 5/2012 Brow
 2014/0246517 A1 9/2014 Raasch
 2015/0102121 A1 4/2015 Dey et al.
 2015/0108253 A1 4/2015 Schmalz
 2015/0306614 A1 10/2015 Pierce
 2016/0067726 A1 3/2016 Gilpatrick et al.
 2017/0304873 A1 10/2017 Luby et al.
 2018/0021800 A1 1/2018 Janik
 2018/0021819 A1 1/2018 Schaller et al.
 2019/0009309 A1 1/2019 Rickey et al.

* cited by examiner

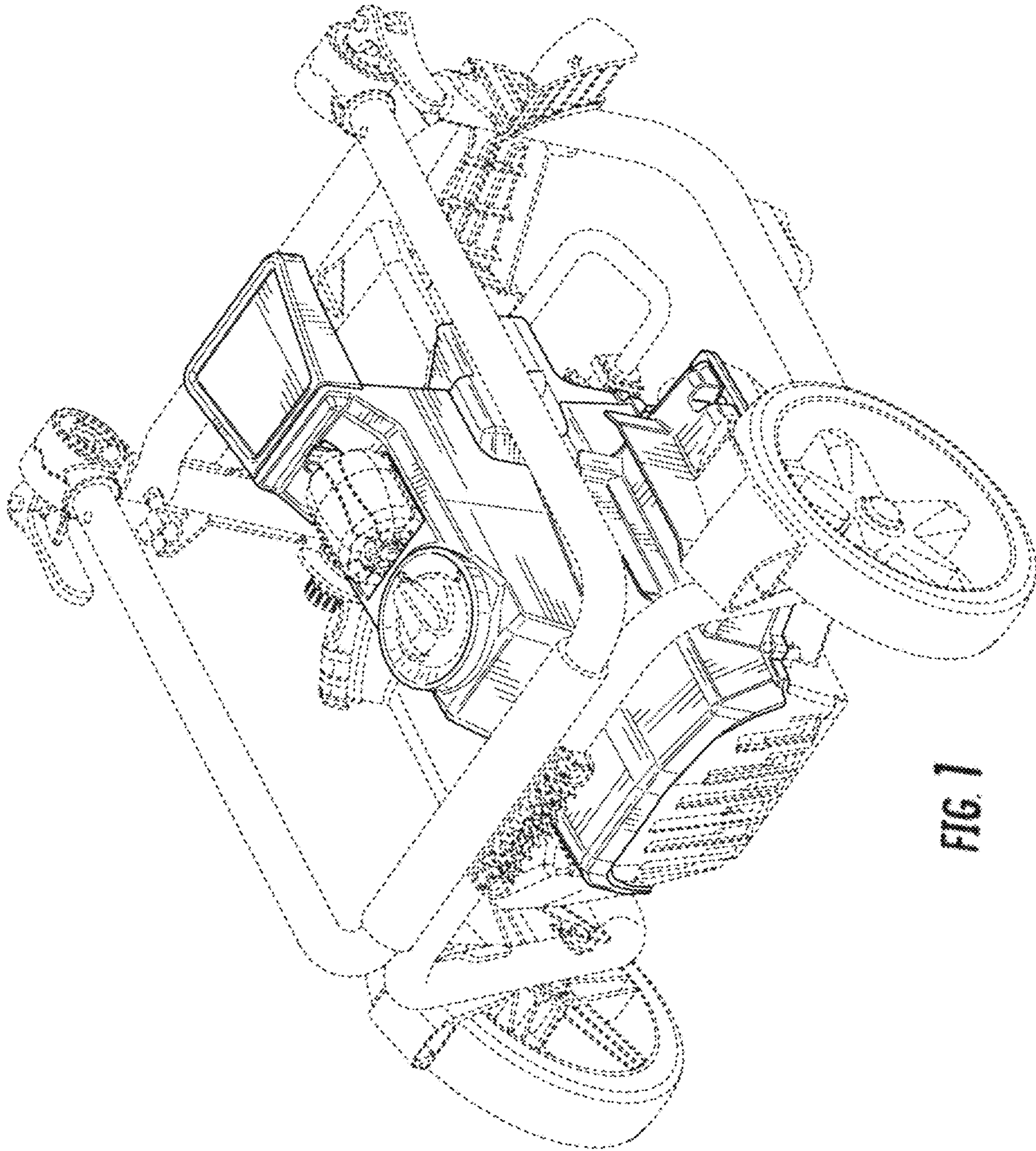


FIG. 1

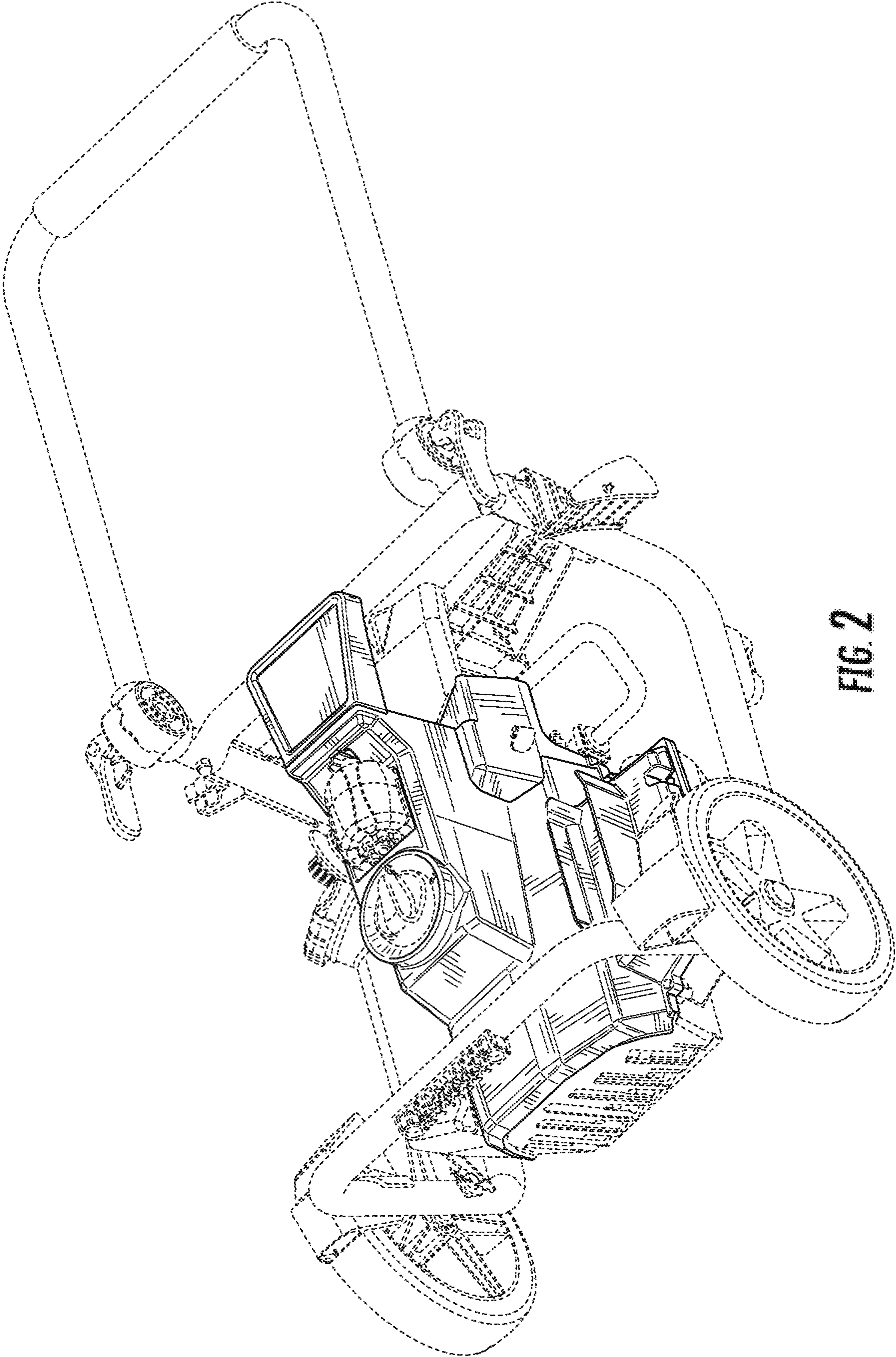


FIG. 2

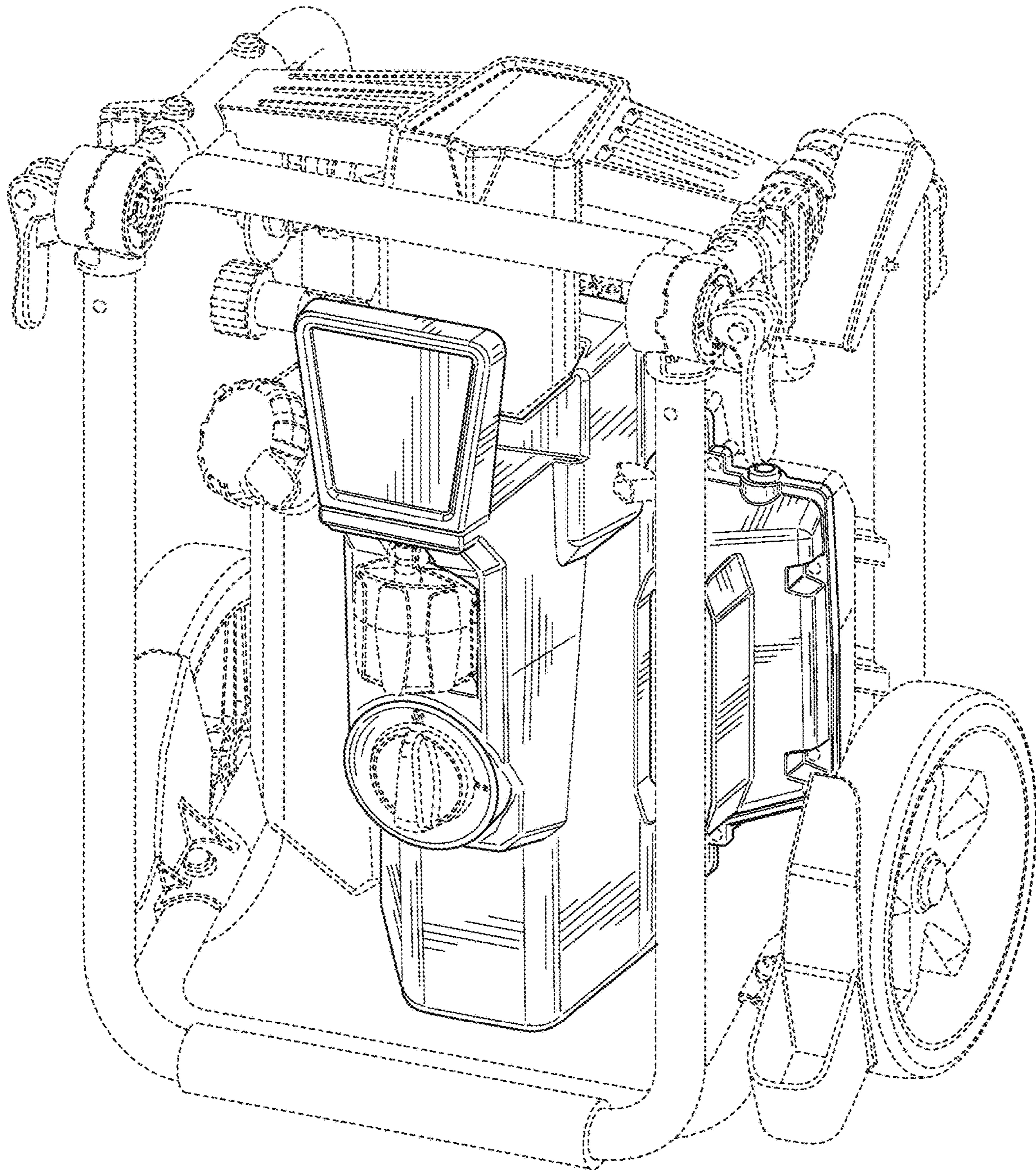


FIG. 3

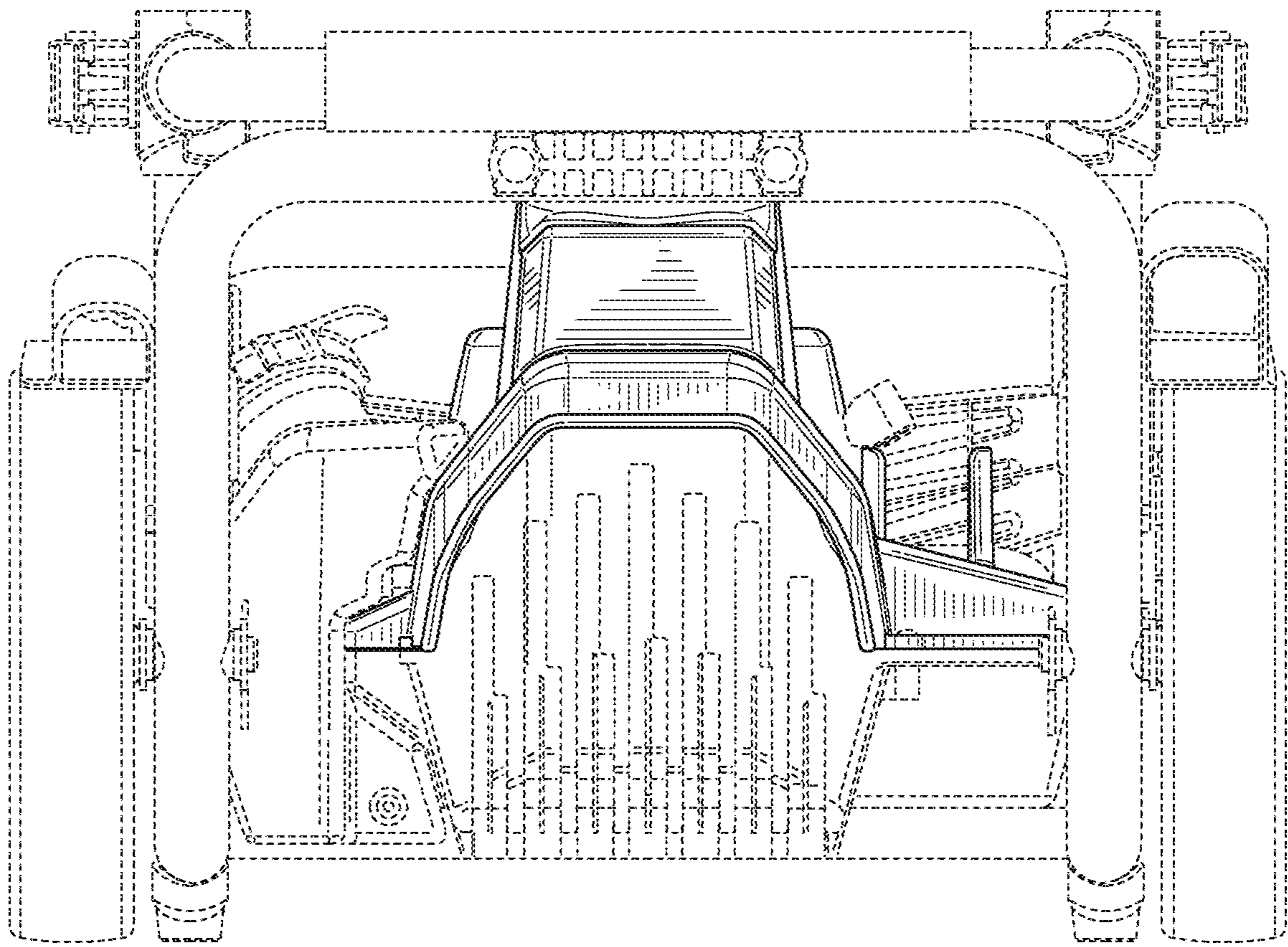


FIG. 4

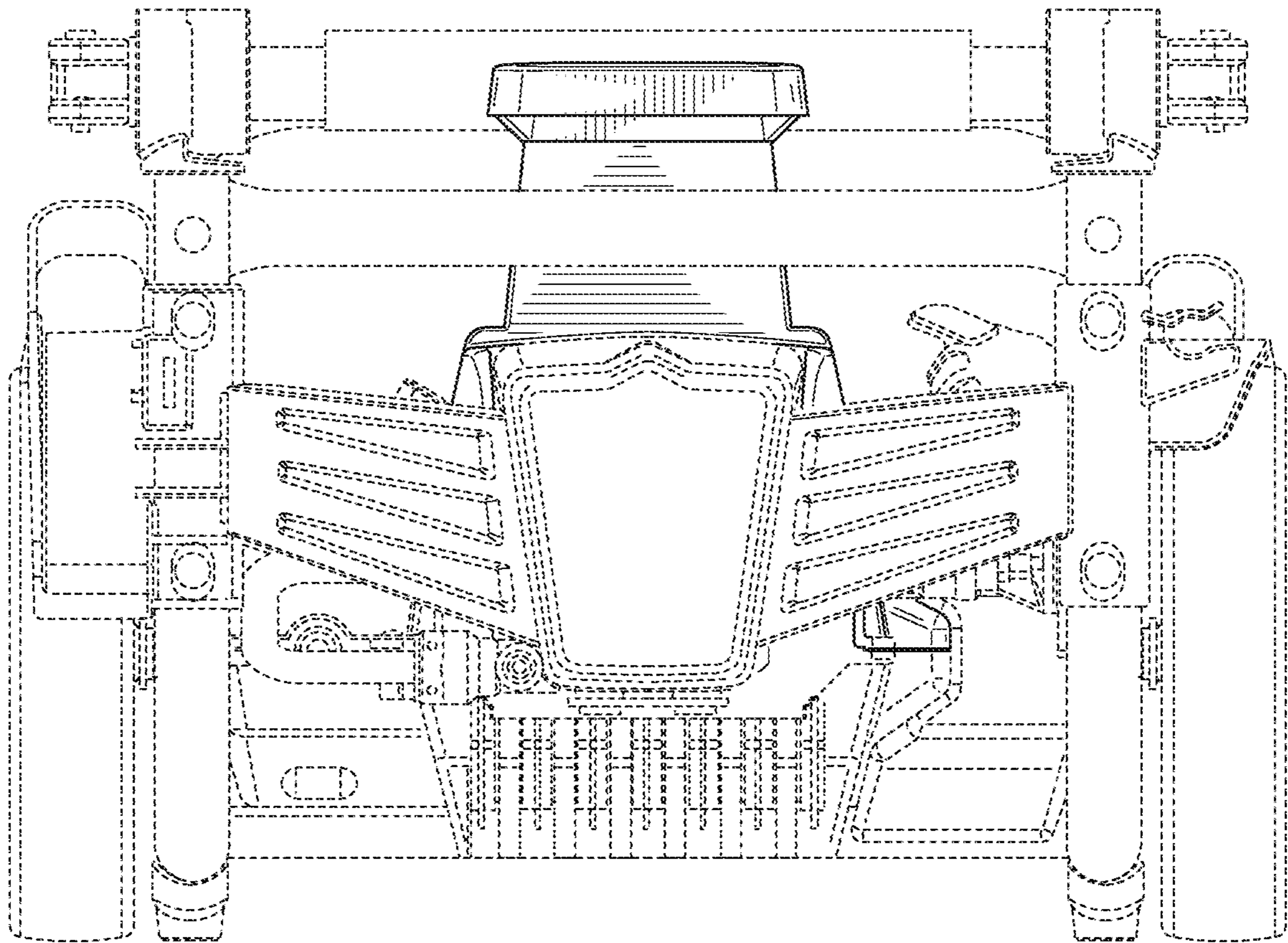


FIG. 5

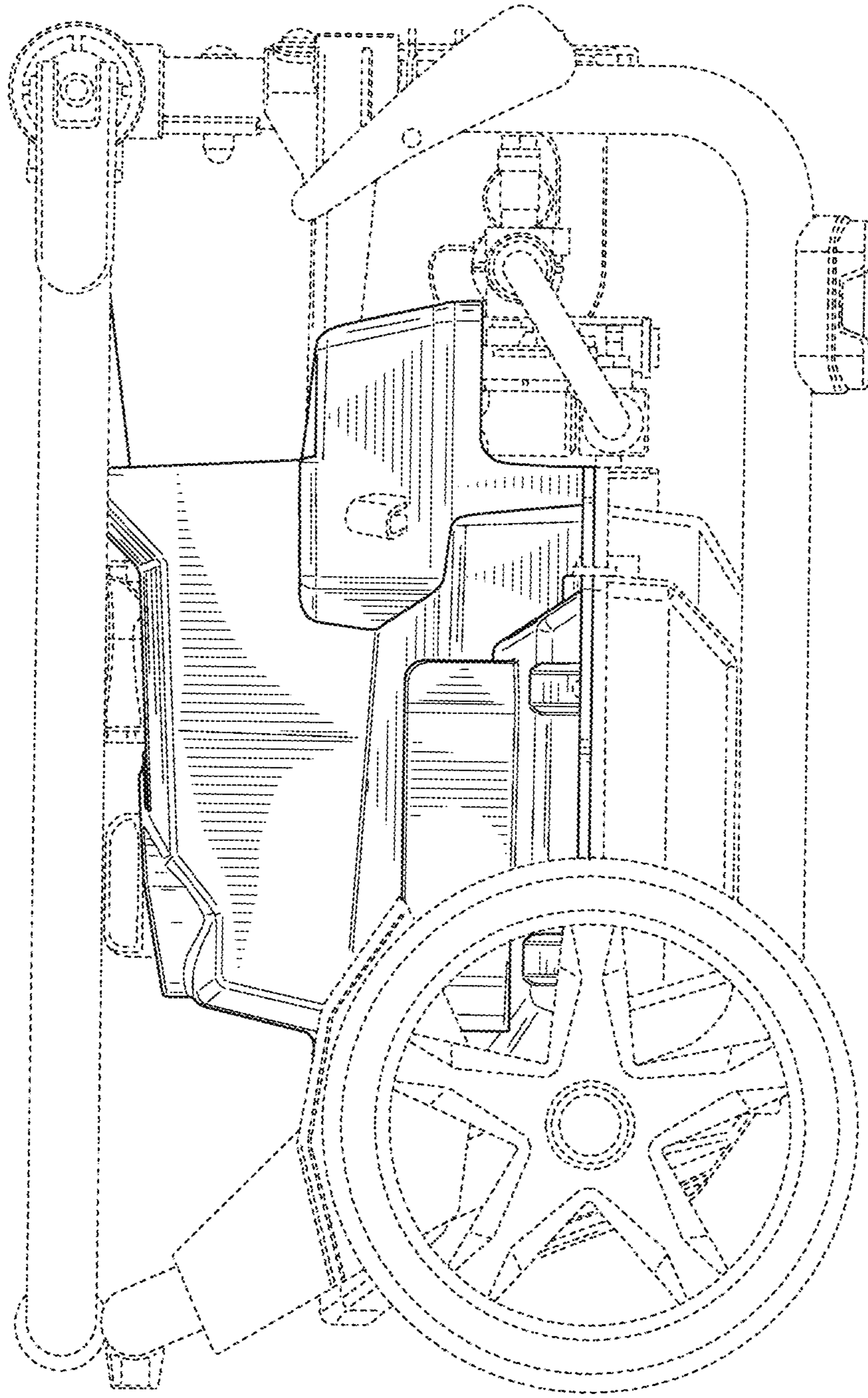


FIG. 6

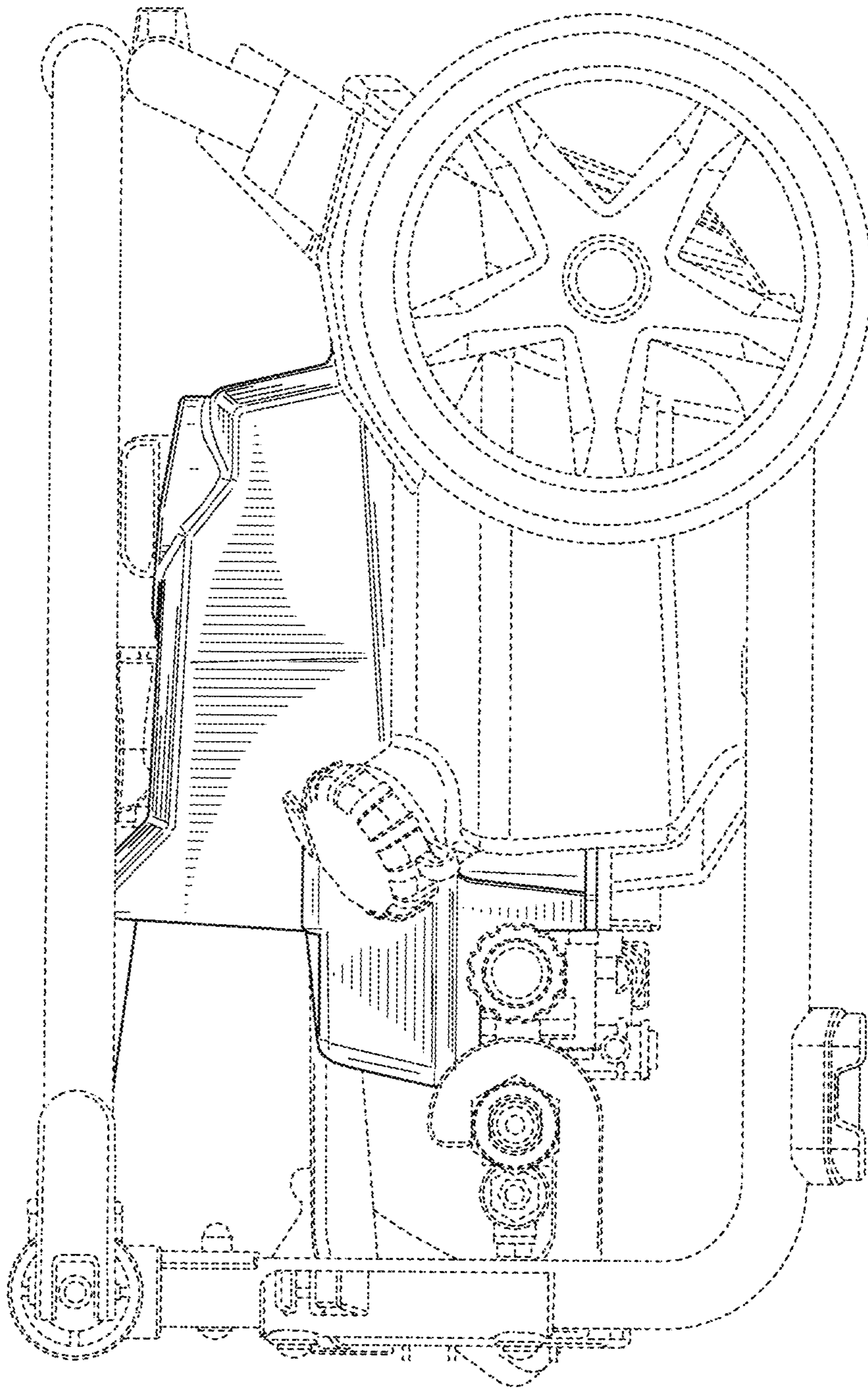


FIG. 7

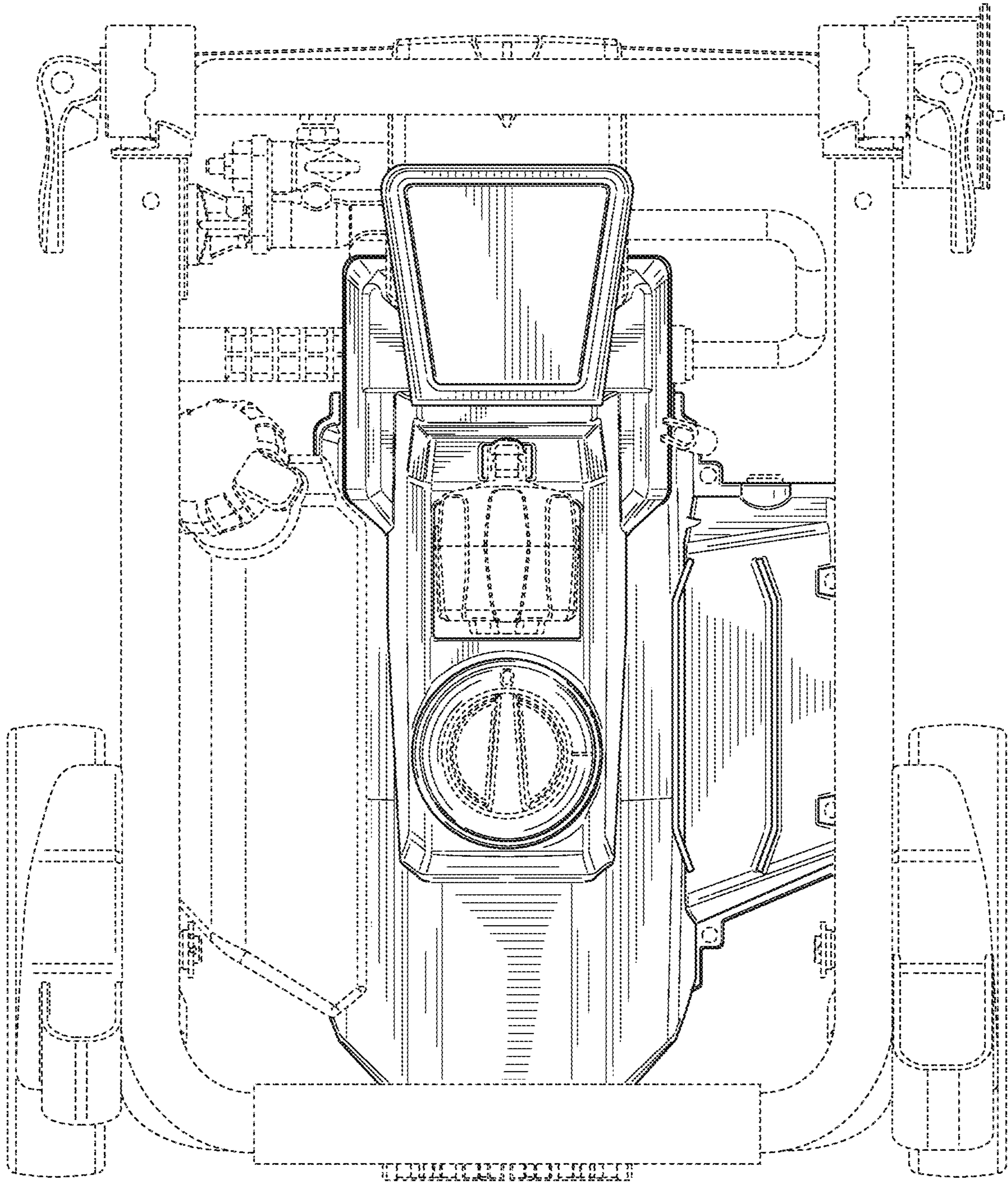


FIG. 8

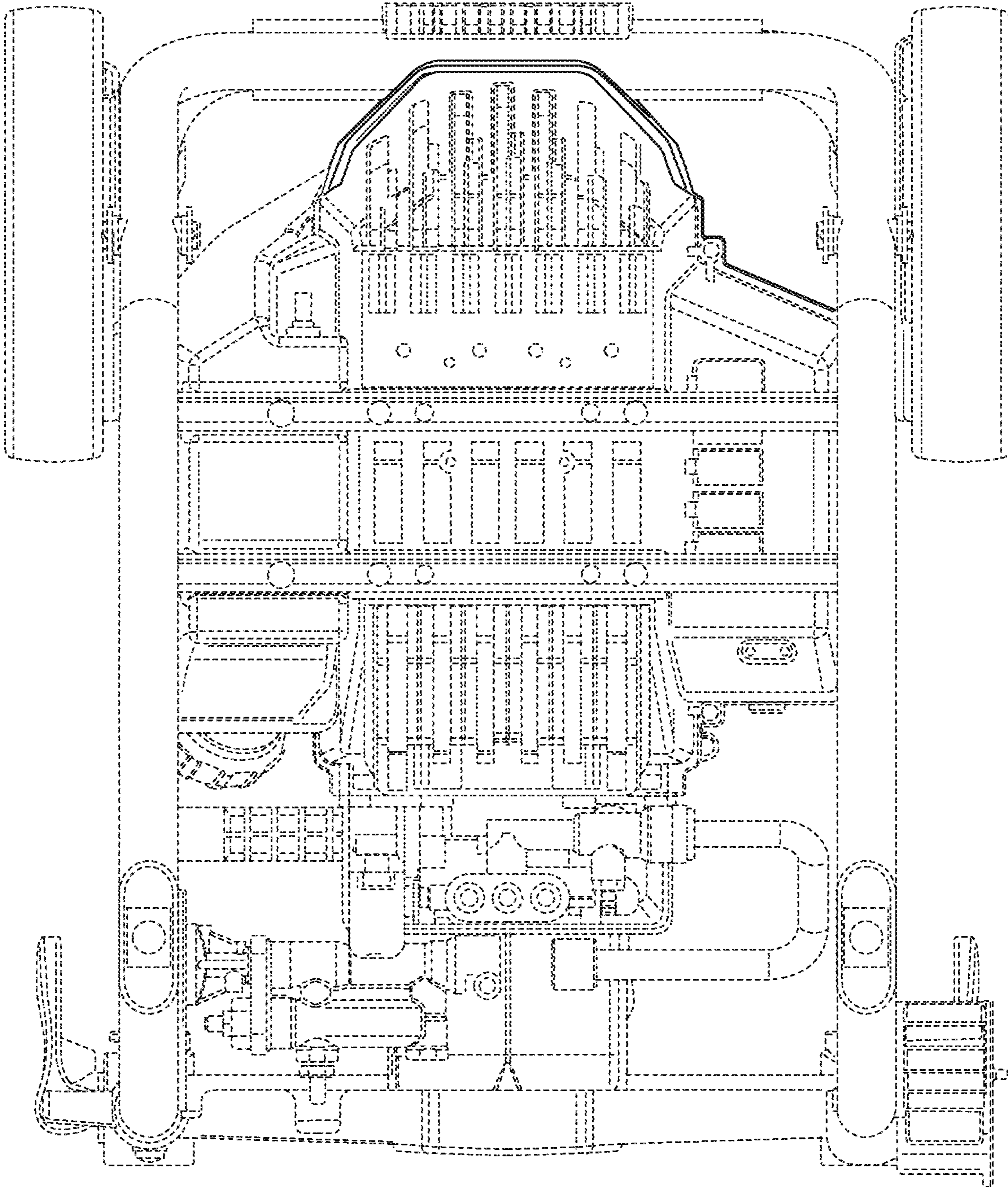


FIG. 9