



US00D938111S

(12) **United States Design Patent**
Xie et al.

(10) **Patent No.:** **US D938,111 S**

(45) **Date of Patent:** **** Dec. 7, 2021**

(54) **WASHING MACHINE**

(71) Applicant: **BEIJING XIAOMI MOBILE SOFTWARE CO., LTD.**, Beijing (CN)

(72) Inventors: **Yingchun Xie**, Beijing (CN); **Lei Zhang**, Beijing (CN); **Guoxian Zhou**, Beijing (CN)

(73) Assignee: **BEIJING XIAOMI MOBILE SOFTWARE CO., LTD.**, Beijing (CN)

(**) Term: **15 Years**

(21) Appl. No.: **35/509,635**

(22) Filed: **Feb. 6, 2020**

(80) **Hague Agreement Data**

Int. Filing Date: **Feb. 6, 2020**

Int. Reg. No.: **DM/208562**

Int. Reg. Date: **Feb. 6, 2020**

Int. Reg. Pub. Date: **Jun. 19, 2020**

(30) **Foreign Application Priority Data**

Aug. 15, 2019 (CN) 201930443456.9

(51) **LOC (13) Cl.** **15-05**

(52) **U.S. Cl.**
USPC **D32/6**

(58) **Field of Classification Search**

USPC D32/1, 2, 5, 6, 8, 10

CPC D06F 13/0002; D06F 13/04; D06F 13/06;

D06F 13/08; D06F 35/00; D06F 17/00;

D06F 21/00; D06F 21/02; D06F 21/04;

D06F 21/08; D06F 23/00; D06F 23/02;

D06F 25/00

See application file for complete search history.

(56) **References Cited**

U.S. PATENT DOCUMENTS

D518,251 S * 3/2006 Kwon D32/6

D653,822 S * 2/2012 Geyer D32/6

D659,307 S * 5/2012 Geyer D32/6

D696,478 S * 12/2013 Geyer D32/6

D749,804 S * 2/2016 Ha D32/6

D885,696 S * 5/2020 Kim D32/8

D901,108 S * 11/2020 Ma D32/6

D913,610 S * 3/2021 Jiang D32/6

D919,206 S * 5/2021 Lee D32/6

(Continued)

FOREIGN PATENT DOCUMENTS

WO WO D200386-001 * 7/2019

OTHER PUBLICATIONS

Gizmochina Xiaomi Teases, Mar. 23, 2021, [online], [site visited May 18, 2021]. Retrieved from url:https://www.gizmochina.com/2021/03/23/xiaomi-mijia-washing-machine-front-facing-door/ (Year: 2021).*

(Continued)

Primary Examiner — Michelle E. Wilson

Assistant Examiner — Tracey J Bell

(74) *Attorney, Agent, or Firm* — Syncoda LLC; Feng Ma

(57) **CLAIM**

The ornamental design for a washing machine, as shown and described.

DESCRIPTION

1.1 : Front;

1.2 : Back;

1.3 : Left;

1.4 : Right;

1.5 : Top;

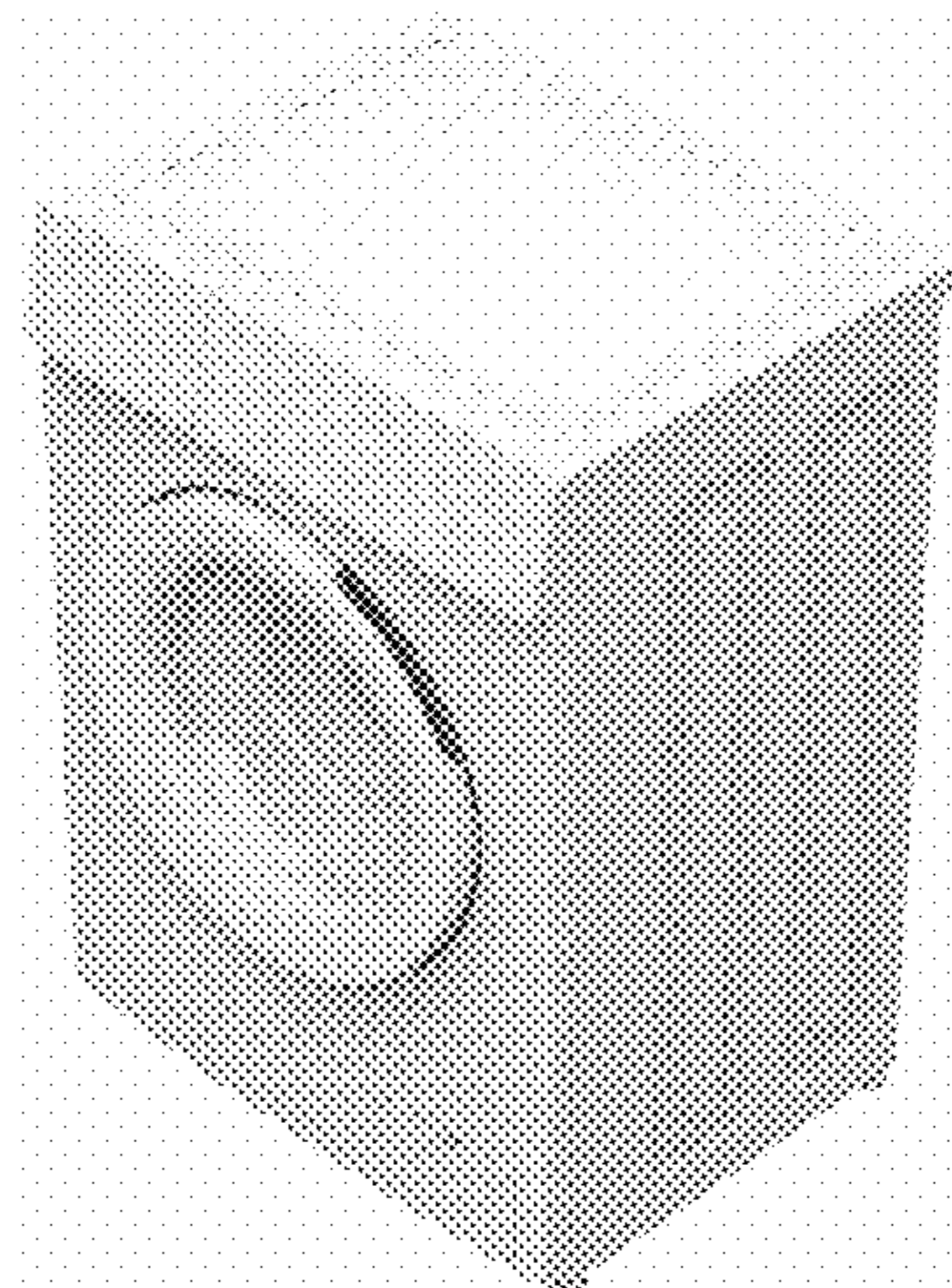
1.6 : Bottom;

1.7 : Perspective;

1.8 : Perspective.

The interior features visible through the openings in the back and bottom of the washing machine form no part of the claimed design.

1 Claim, 8 Drawing Sheets



(56)

References Cited

U.S. PATENT DOCUMENTS

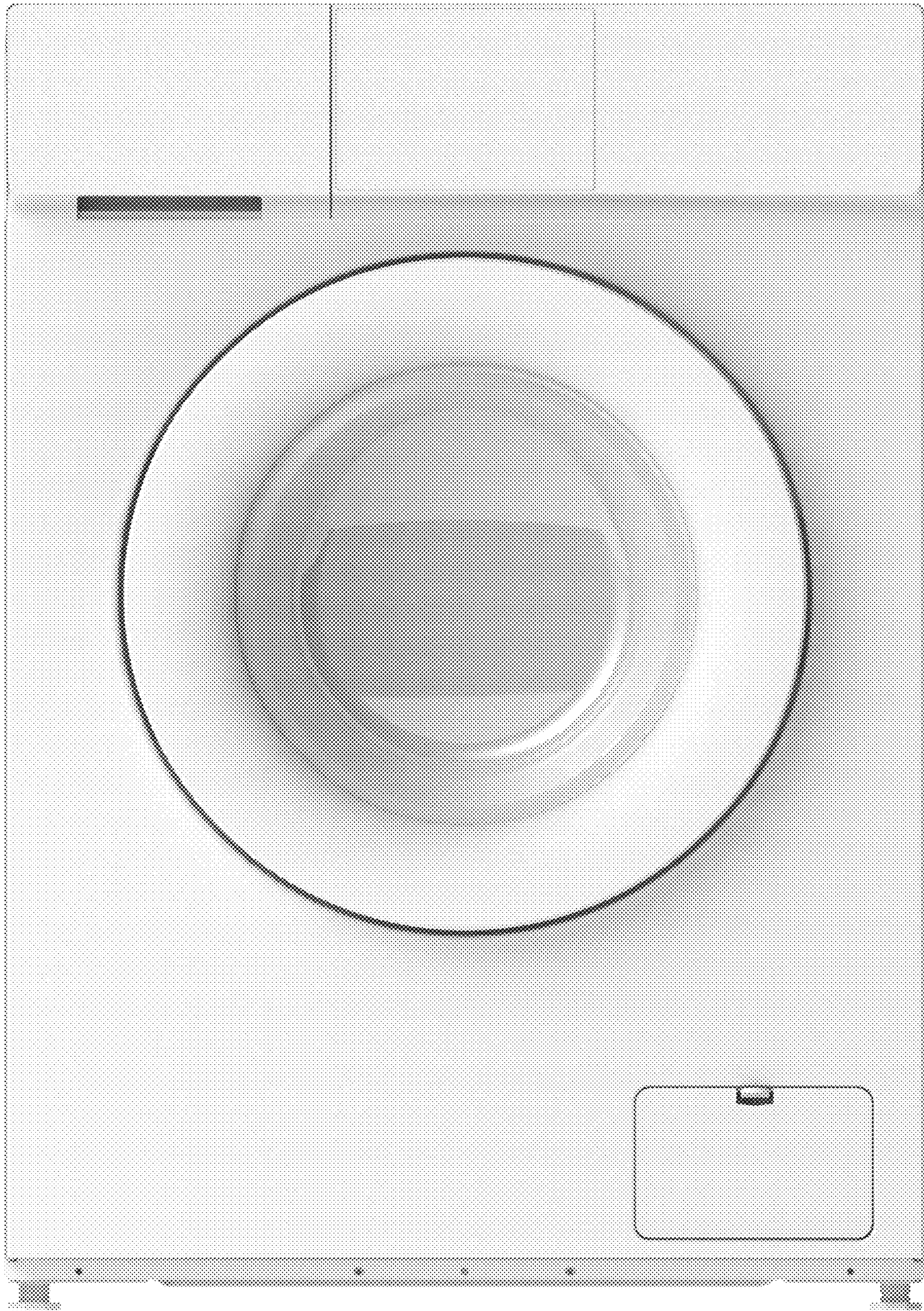
2012/0042914 A1* 2/2012 Celotto D06F 35/00
134/58 R
2015/0082658 A1* 3/2015 Contarini D06F 58/30
34/524

OTHER PUBLICATIONS

<http://www.chinahao.com/product/600050848613/>, Xiaomi Mijia 8 kg frequency conversion drum washing machine 1S automatic household elution integrated official flagship store, Aug. 12, 2019. First Office Action of the Indonesian application No. A00202000516, dated Jul. 14, 2021.

* cited by examiner

1.1



1.2



1.3



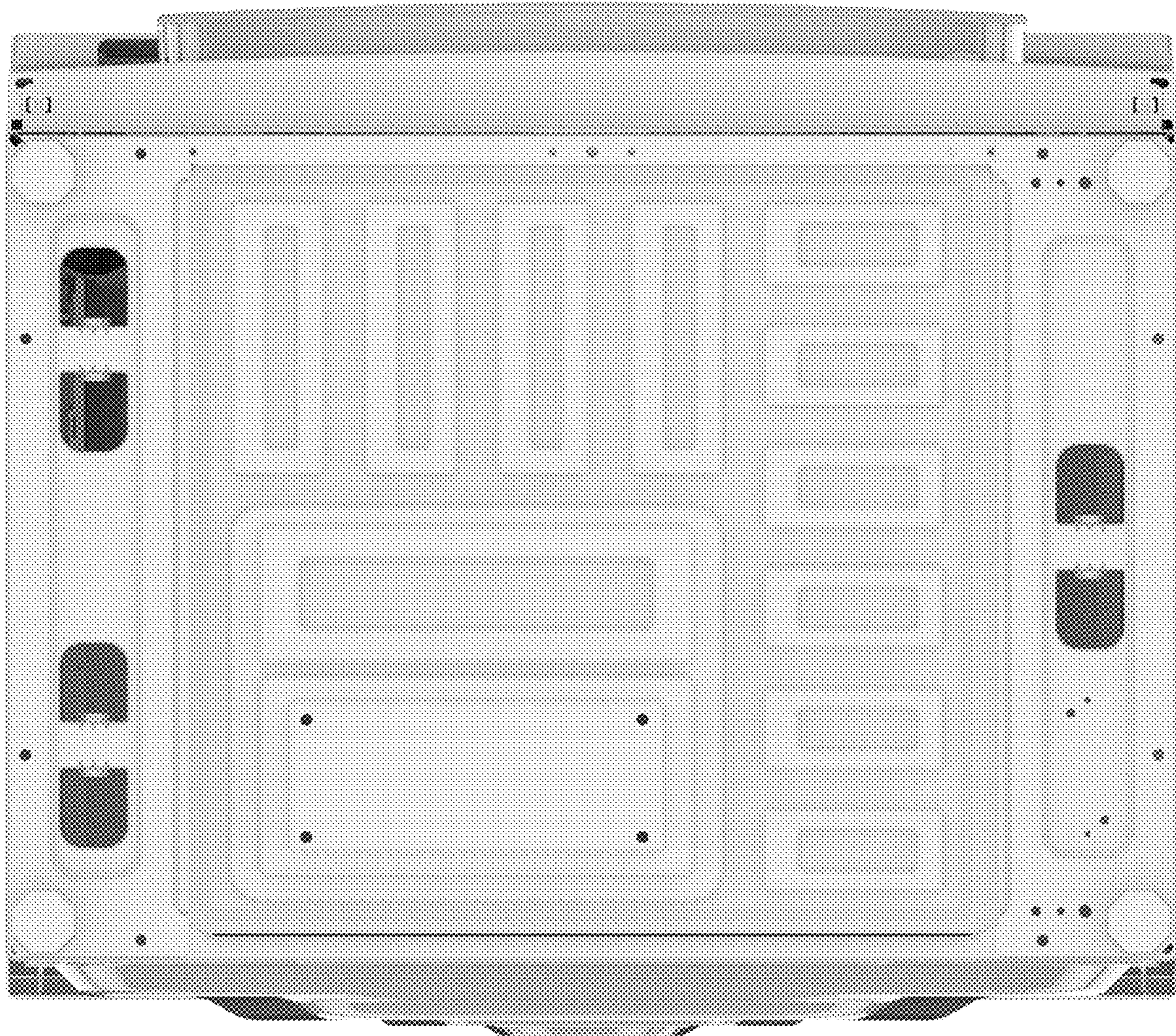
1.4



1.5



1.6



1.7



1.8

