



US00D938107S

(12) **United States Design Patent**
Wang

(10) **Patent No.:** **US D938,107 S**
(45) **Date of Patent:** **** Dec. 7, 2021**

(54) **POOPER SCOOPER**

(71) Applicant: **Shuanghe Wang**, Kuitun (CN)

(72) Inventor: **Shuanghe Wang**, Kuitun (CN)

(**) Term: **15 Years**

(21) Appl. No.: **29/768,887**

(22) Filed: **Feb. 2, 2021**

(51) **LOC (13) Cl.** **30-99**

(52) **U.S. Cl.**
USPC **D30/162; D30/161**

(58) **Field of Classification Search**
USPC D30/162, 199; 273/447; D8/4, 52, 58, D8/51; D34/1, 10, 28, 34, 35; D21/532; D29/124; D7/642, 644, 683, 685, 686, D7/687, 688; 119/867, 161; 294/1.3-1.5, 19.2, 19.3, 86.4, 86.11, 294/86.19, 86.42, 86.12, 86.17, 86.2, 294/86.21, 86.24, 86.26, 86.32, 87.26, 294/196-198, 210, 111, 49-57, 115; 132/273, 277, 283, 284, 128-156, 236, 132/252, 259-263; 15/257.1; 446/424-428, 491, 330, 86; 403/326
CPC A01K 1/01; A01K 23/005; A01K 29/00; E01H 1/1206; E01H 1/12; E01H 1/1213; E01H 2001/122; E01H 2001/1226; E01H 2001/1233; E01H 2001/1246; E01H 2001/128; E01H 2001/1293; A63H 17/266; A63H 17/12; A63H 17/26; A63H 23/005; A63H 23/16; A63H 33/3044; A63H 33/3072; B25J 1/02; B25J 1/06; B25J 1/04; Y10T 403/60
See application file for complete search history.

4,179,145 A * 12/1979 Shinsako E01H 1/1206
294/1.4
D253,915 S * 1/1980 Hennessy D30/162
4,248,468 A * 2/1981 Hastings E01H 1/1206
294/1.4
D281,108 S * 10/1985 Wilson 294/1.4
D333,073 S * 2/1993 Linscott D8/4
D368,003 S * 3/1996 Simon D30/162
5,503,442 A * 4/1996 Lee E01H 1/1206
294/1.4
5,601,321 A * 2/1997 Simon E01H 1/1206
294/1.4
6,983,966 B2 * 1/2006 Azrikam E01H 1/1206
294/1.4
7,178,843 B2 * 2/2007 Askinasi E01H 1/1206
294/1.4
7,448,659 B1 * 11/2008 Auseklis E01H 1/1206
294/1.4
D602,656 S * 10/2009 Fuhrer D30/162
8,011,705 B1 * 9/2011 Holbrook E01H 1/1206
294/1.4

(Continued)

Primary Examiner — Susan Moon Lee

(57) **CLAIM**

The ornamental design for a pooper scooper, as shown and described.

DESCRIPTION

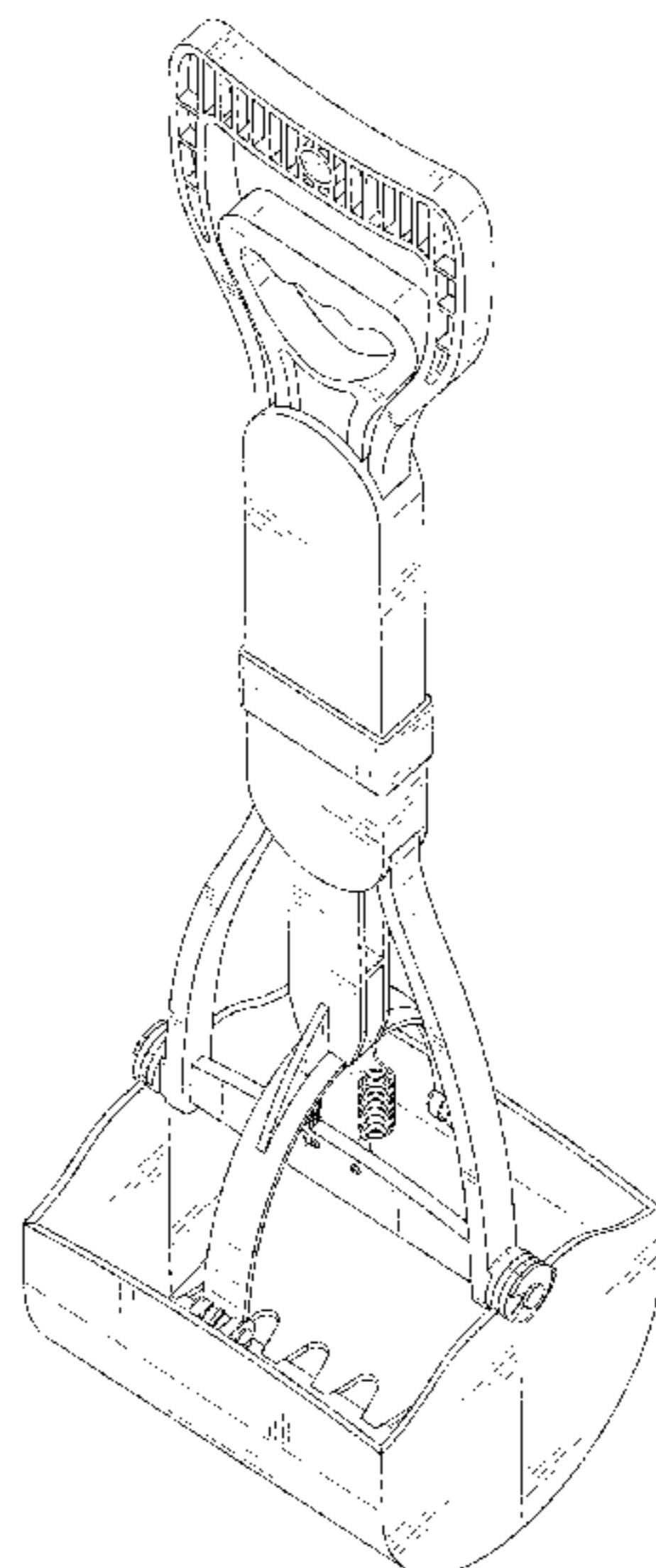
FIG. 1 is a perspective view of a pooper scooper showing my new design;
 FIG. 2 is another perspective view thereof;
 FIG. 3 is a front elevational view thereof;
 FIG. 4 is a rear elevational view thereof;
 FIG. 5 is a left side elevational view thereof;
 FIG. 6 is a right side elevational view thereof;
 FIG. 7 is a top plan view thereof; and,
 FIG. 8 is a bottom plan view thereof.

1 Claim, 8 Drawing Sheets

(56) **References Cited**

U.S. PATENT DOCUMENTS

652,077 A * 6/1900 Burson A01B 1/18
294/50.8
3,929,363 A * 12/1975 Kahan E01H 1/1206
294/1.4



(56)

References Cited

U.S. PATENT DOCUMENTS

| | | | | | | | | | | | |
|--------------|------|---------|--------------|-------|------------------------|--------------|------|---------|-----------|-------|------------------------|
| 8,235,434 | B2 * | 8/2012 | Lipscomb | | E01H 1/1206 294/1.4 | 2007/0194580 | A1 * | 8/2007 | Raasch | | E01H 1/1206 294/1.4 |
| 8,292,339 | B1 * | 10/2012 | Auseklis | | E01H 1/1206 294/1.4 | 2008/0012366 | A1 * | 1/2008 | Tsukamoto | | A01K 23/005 294/1.5 |
| 8,714,604 | B1 * | 5/2014 | Mihalic | | E01H 1/1206 294/1.4 | 2008/0030033 | A1 * | 2/2008 | Taylor | | E01H 1/1206 294/1.4 |
| 8,733,808 | B2 * | 5/2014 | Andersen | | A01K 29/00 294/1.4 | 2008/0265592 | A1 * | 10/2008 | Askinasi | | E01H 1/1206 294/1.4 |
| D720,020 | S * | 12/2014 | Chen | | D21/532 | 2009/0278366 | A1 * | 11/2009 | Lipscomb | | E01H 1/1206 294/1.4 |
| 8,939,481 | B1 * | 1/2015 | Qi | | E01H 1/1206 294/1.4 | 2012/0274089 | A1 * | 11/2012 | Green | | E01H 1/1206 294/1.4 |
| 9,091,031 | B2 * | 7/2015 | Naseem | | E01H 1/1206 | 2012/0292933 | A1 * | 11/2012 | Krupp | | E01H 1/1206 294/1.4 |
| 9,163,370 | B2 * | 10/2015 | Qiu | | E01H 1/1206 | 2013/0062896 | A1 * | 3/2013 | Ahern | | E01H 1/1206 294/1.4 |
| 9,217,231 | B2 * | 12/2015 | Briski | | E01H 1/1206 | 2014/0203579 | A1 * | 7/2014 | Qiu | | E01H 1/1206 294/1.4 |
| D778,003 | S | 1/2017 | Rangel | | | 2015/0042112 | A1 * | 2/2015 | Briski | | E01H 1/1206 294/1.4 |
| 9,656,808 | B2 * | 5/2017 | Rivas | | B65G 7/12 | 2015/0167264 | A1 * | 6/2015 | Naseem | | E01H 1/1206 294/1.4 |
| D802,229 | S * | 11/2017 | Rouayroux | | D30/162 | 2016/0153158 | A1 * | 6/2016 | Karius | | E01H 1/1206 294/1.4 |
| 10,370,810 | B1 * | 8/2019 | Times | | E01H 1/1206 | 2016/0376760 | A1 * | 12/2016 | Johnson | | E01H 1/1206 294/1.4 |
| 10,548,297 | B2 * | 2/2020 | Weatherly | | A01K 27/004 | 2017/0037588 | A1 * | 2/2017 | Huitt | | E01H 1/006 |
| 10,709,112 | B1 * | 7/2020 | Times-Dudley | | A01K 23/005 | 2017/0191235 | A1 * | 7/2017 | Bean | | B25J 1/04 |
| 10,801,171 | B1 * | 10/2020 | McCormick | | E01H 1/12 | 2019/0320617 | A1 * | 10/2019 | Weatherly | | A01K 27/007 |
| 10,834,900 | B2 * | 11/2020 | Smith | | E01H 1/1206 | | | | | | |
| D925,142 | S * | 7/2021 | Jia | | D30/199 | | | | | | |
| 2004/0066049 | A1 * | 4/2004 | Azrikam | | E01H 1/1206 294/1.4 | | | | | | |
| 2004/0130169 | A1 * | 7/2004 | Askingsi | | E01H 1/1206 294/1.4 | | | | | | |
| 2004/0169384 | A1 * | 9/2004 | Boutwell | | E01H 1/1206 294/1.4 | | | | | | |

* cited by examiner

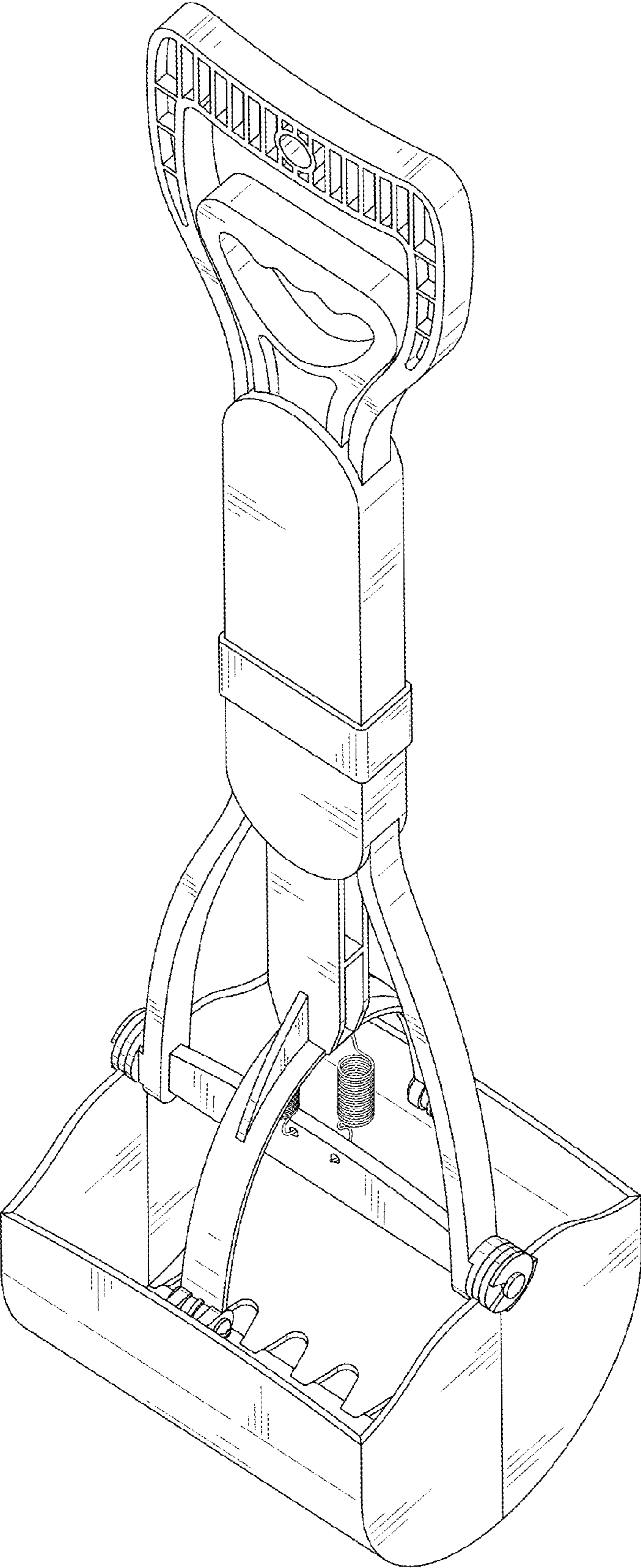


FIG. 1

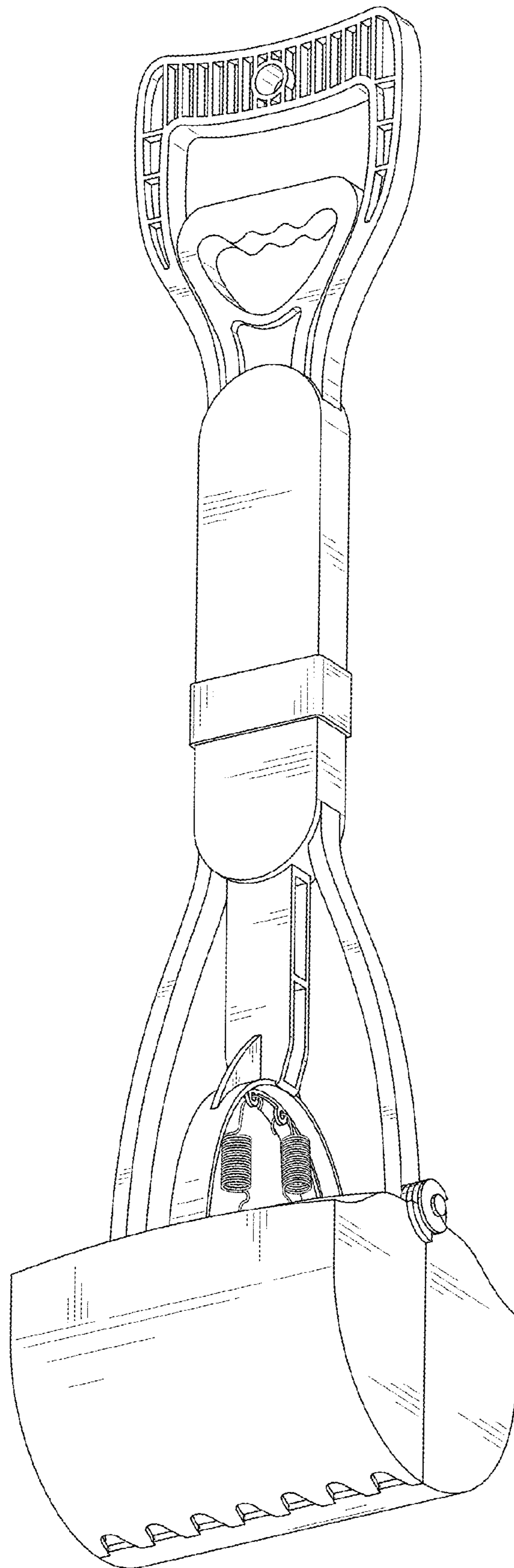


FIG. 2

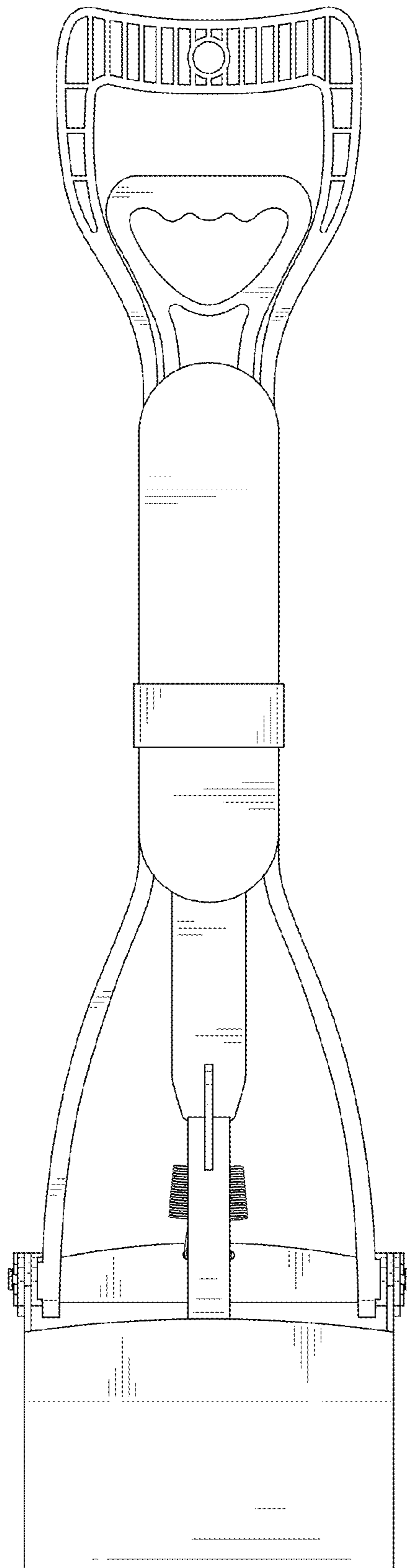


FIG. 3

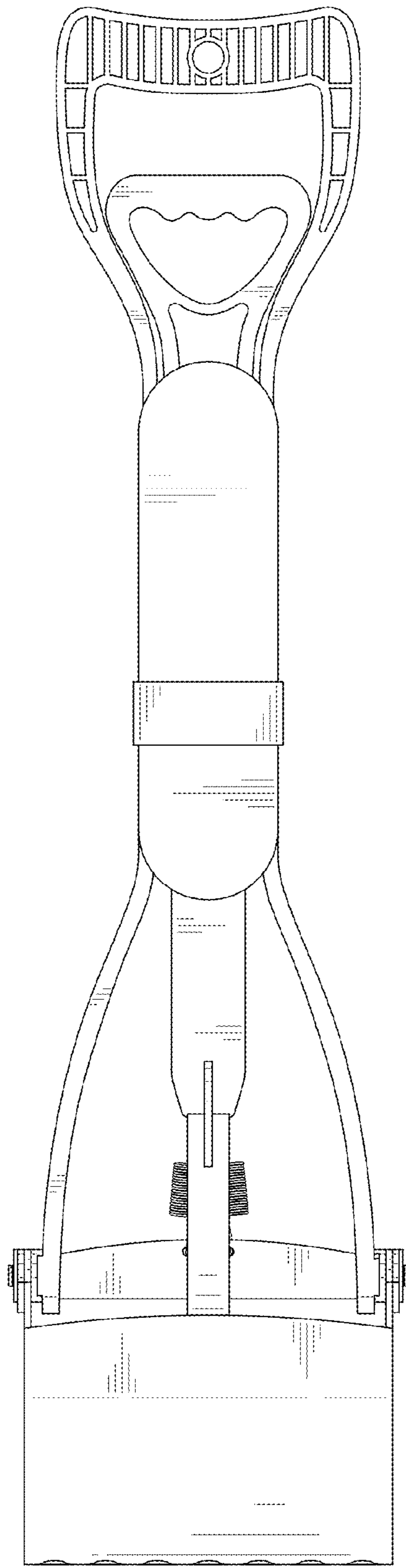


FIG. 4

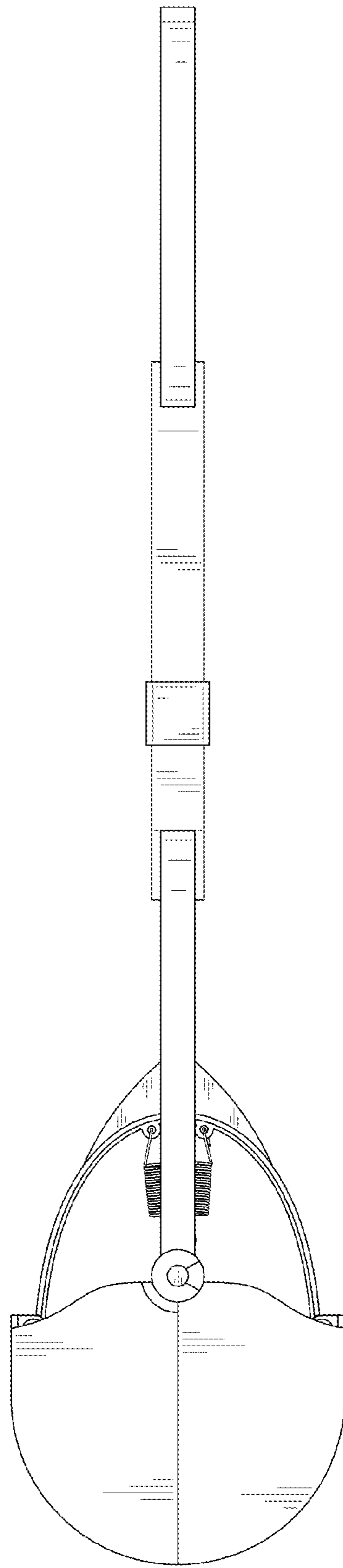


FIG. 5

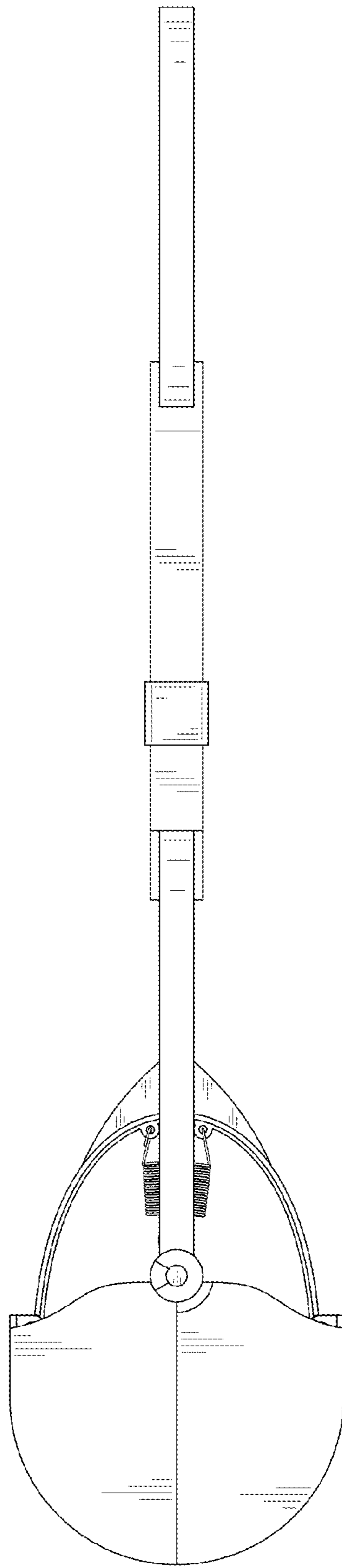


FIG. 6

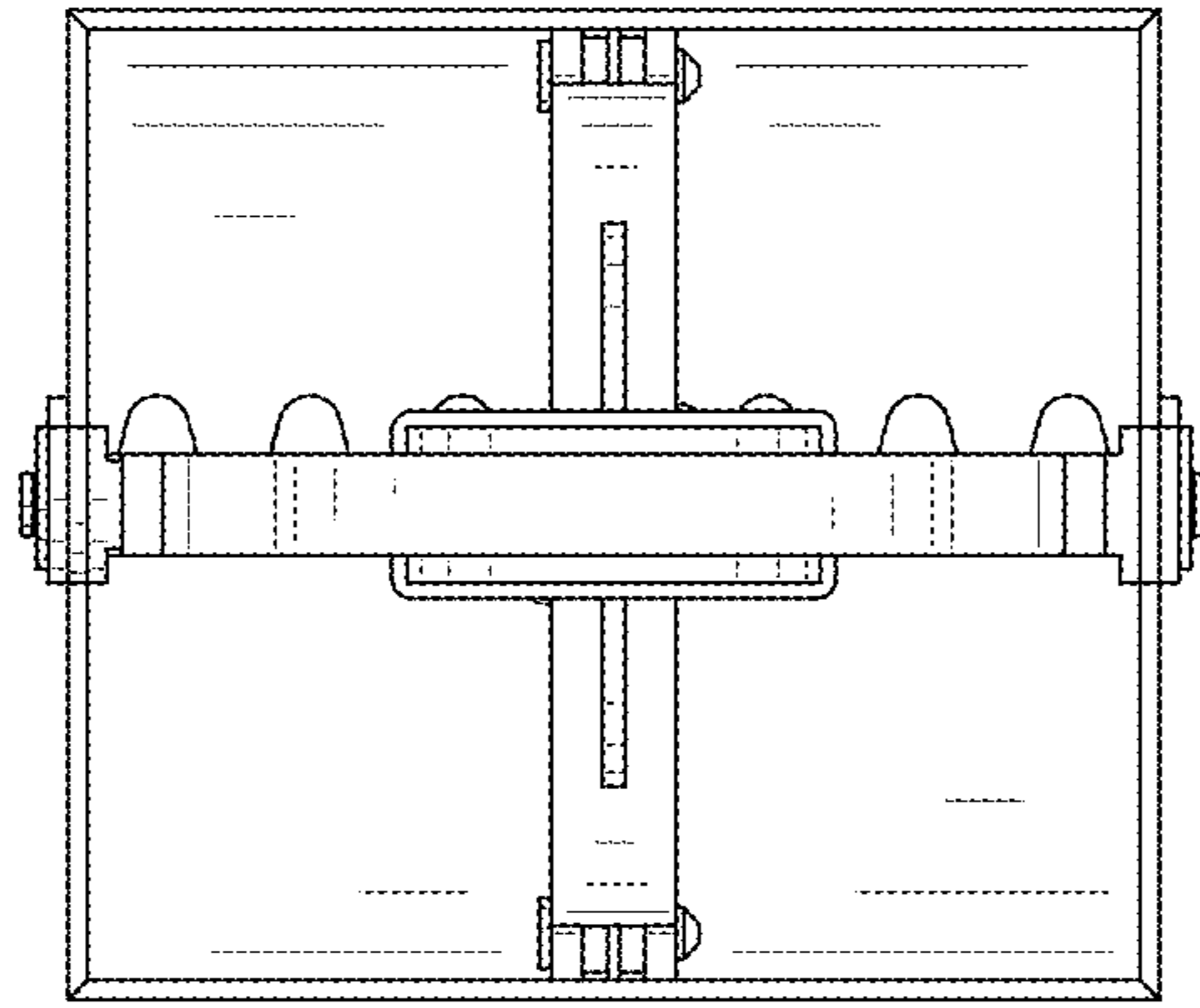


FIG. 7

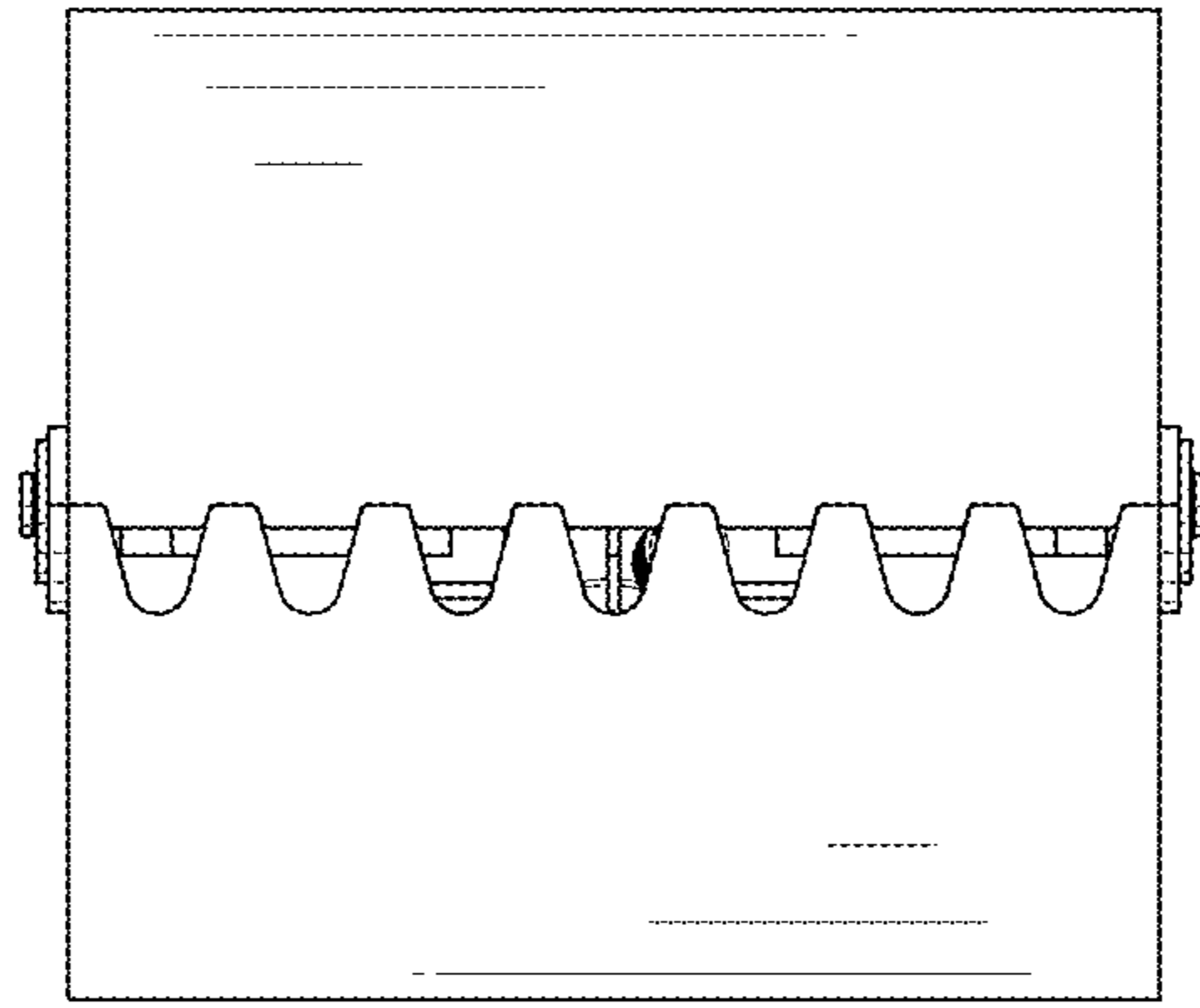


FIG. 8