



US00D938106S

(12) **United States Design Patent**
Huang

(10) **Patent No.:** **US D938,106 S**

(45) **Date of Patent:** **** Dec. 7, 2021**

(54) **ANIMAL TOY**

(71) Applicant: **Minliu Huang**, Nanning (CN)

(72) Inventor: **Minliu Huang**, Nanning (CN)

(**) Term: **15 Years**

(21) Appl. No.: **29/736,859**

(22) Filed: **Jun. 3, 2020**

(30) **Foreign Application Priority Data**

Apr. 30, 2020 (CN) 202030189923.2

(51) **LOC (13) Cl.** **30-99**

(52) **U.S. Cl.**
USPC **D30/160**

(58) **Field of Classification Search**
USPC D30/158, 160, 199; 119/702, 706, 707,
119/708, 709, 710, 711, 174; D21/398,
D21/405, 407, 411, 436, 443, 455, 457,
D21/458, 461, 498, 400, 401, 402
CPC ... A01K 15/027; A01K 15/025; A01K 15/026
See application file for complete search history.

(56) **References Cited**

U.S. PATENT DOCUMENTS

- 4,499,855 A * 2/1985 Galkiewicz A01K 15/025
119/708
- D328,261 S * 7/1992 Weaks D10/110
- D344,936 S * 3/1994 Gilpin D14/431
- D547,013 S * 7/2007 Tsengas D30/160
- 8,181,606 B1 * 5/2012 Kirschbaum A01K 15/025
119/708
- 8,997,695 B2 * 4/2015 Riding A01K 15/025
119/708
- 10,165,759 B2 * 1/2019 Lorig A01K 15/027
- D842,557 S * 3/2019 Gardner D30/160
- D877,813 S * 3/2020 Lei D21/402
- 10,609,905 B2 * 4/2020 Renforth A01K 15/025
- D923,222 S * 6/2021 Le D26/42

- 2009/0120419 A1 * 5/2009 Simon A01K 15/025
124/5
- 2009/0205580 A1 * 8/2009 Tiefel A01K 15/025
119/708
- 2015/0257364 A1 * 9/2015 Renforth B25G 1/04
119/708
- 2019/0090456 A1 * 3/2019 Dominguez A01K 15/025

OTHER PUBLICATIONS

“M JJYPET Retractable Cat Toy Wand” available Aug. 19, 2019, [online], [site visited Aug. 9, 2021]. Retrieved from Internet, URL:https://www.amazon.com/JJYPET-Retractable-Interactive-Feather-Assorted/dp/B07WSB181J?th=1 (Year: 2019).*

“CatYou 3-Pack Cat Feather Toy” available May 4, 2016, [online], [site visited Aug. 9, 2021]. Retrieved from Internet, URL:https://www.amazon.com/CatYou-3-Pack-Feather-Crystal-Pattern/dp/B01F5CCJ06 (Year: 2016).*

* cited by examiner

Primary Examiner — W. A. Teddy Falloway
Assistant Examiner — Katrina N Gonzalez
(74) *Attorney, Agent, or Firm* — ScienBiziP, P.C.

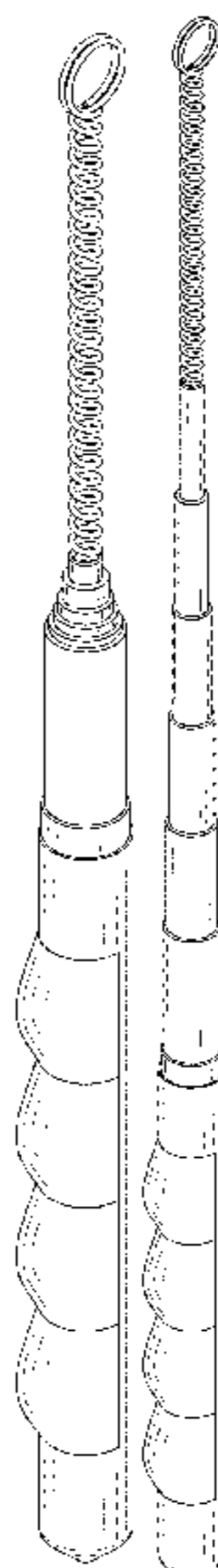
(57) **CLAIM**

The ornamental design for an animal toy, as shown and described.

DESCRIPTION

FIG. 1 is a front and right perspective view of an animal toy, showing my design.
FIG. 2 is a back and left perspective view thereof.
FIG. 3 is a front elevation view thereof.
FIG. 4 is a rear elevation view thereof.
FIG. 5 is a left side elevation view thereof.
FIG. 6 is a right side elevation view thereof.
FIG. 7 is an enlarged top plan view thereof.
FIG. 8 is an enlarged bottom plan view thereof; and,
FIG. 9 is another perspective view of FIG. 1, but shown in an extended position of use.

1 Claim, 9 Drawing Sheets



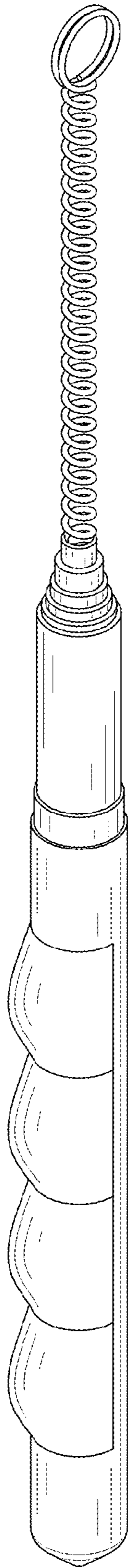


FIG. 1

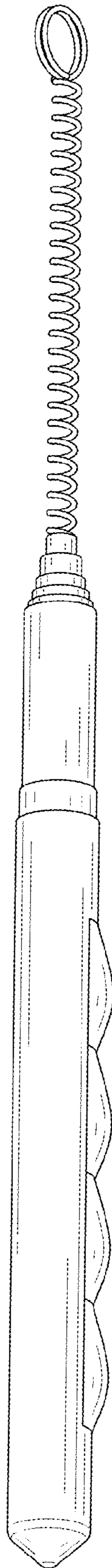


FIG. 2

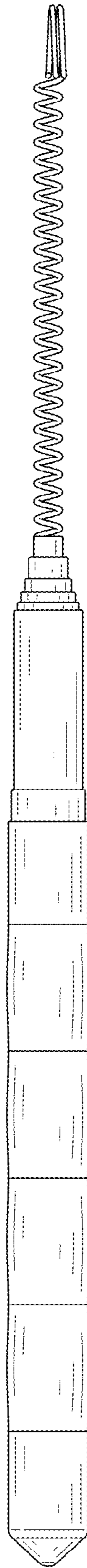


FIG. 3

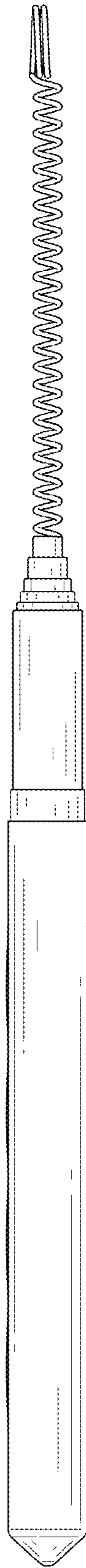


FIG. 4

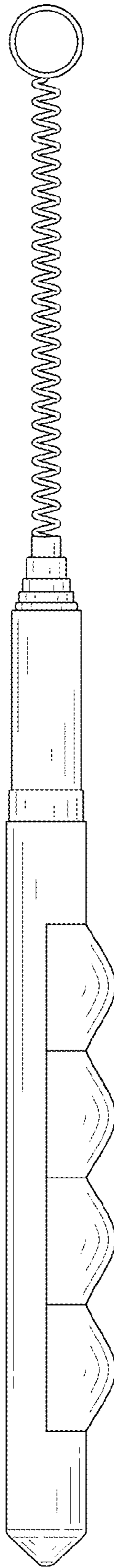


FIG. 5

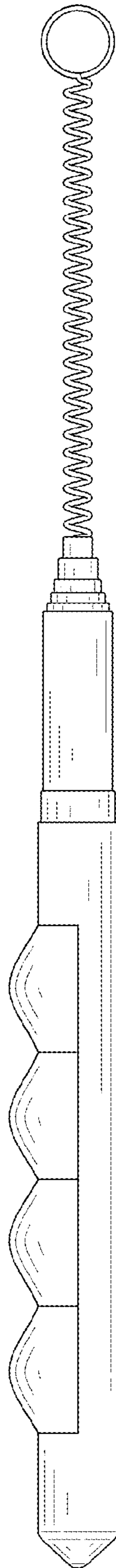


FIG. 6

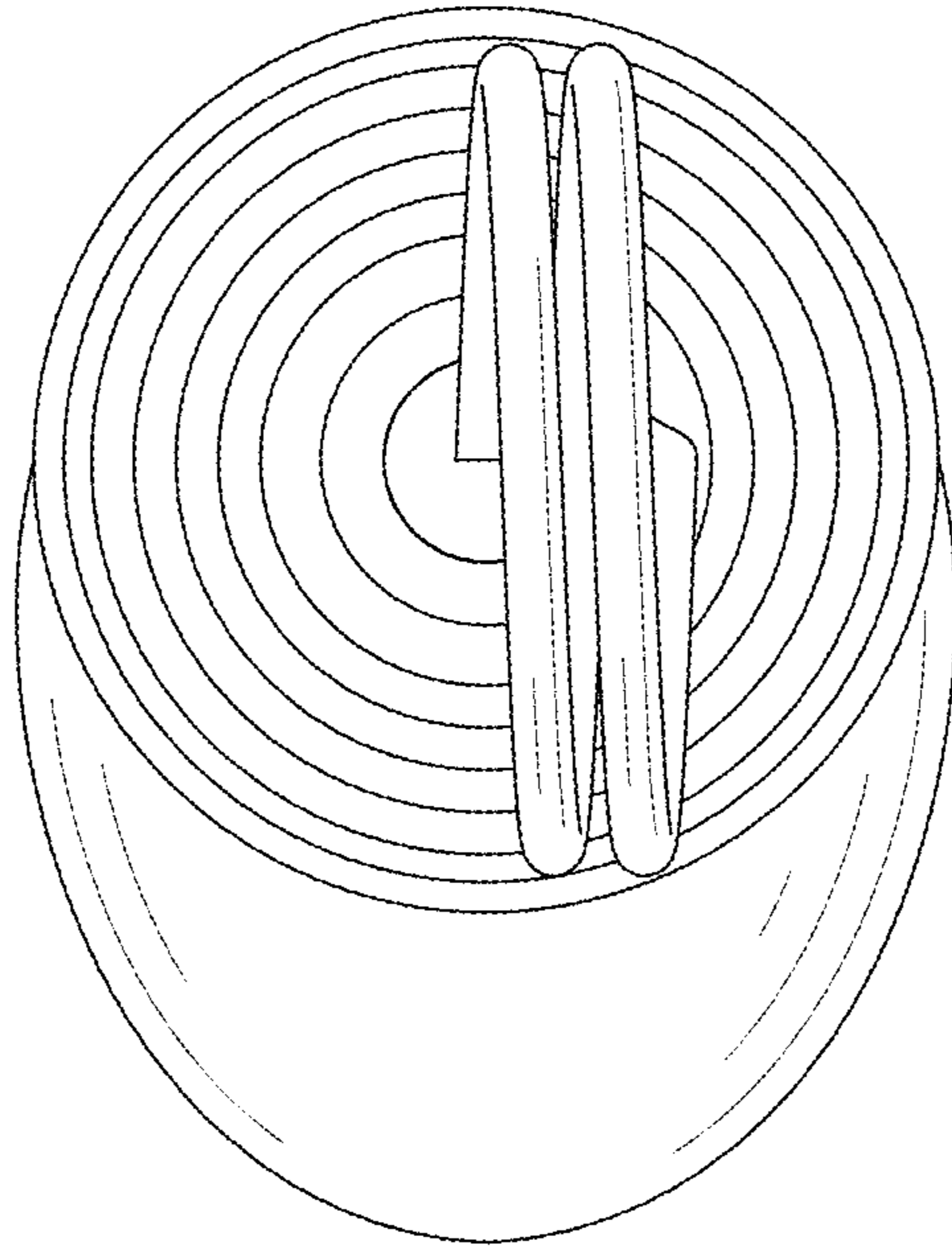


FIG. 7

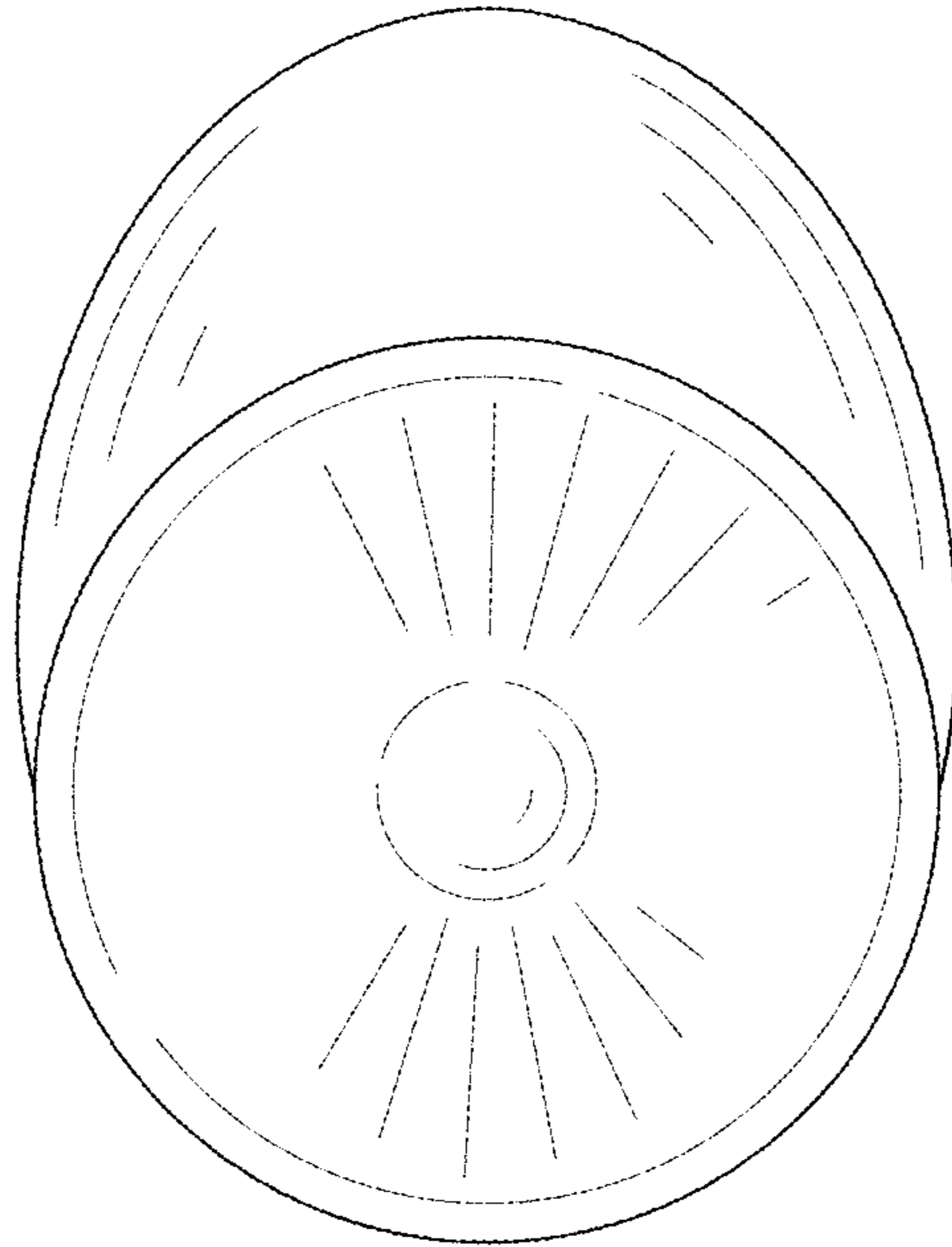


FIG. 8

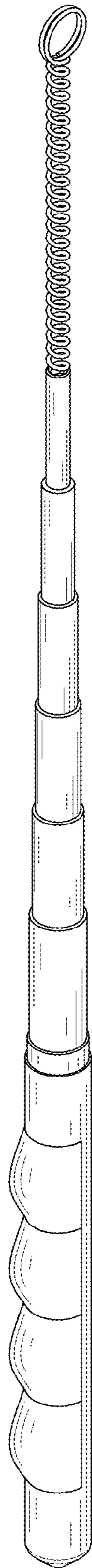


FIG. 9