



US00D938105S

(12) **United States Design Patent** (10) **Patent No.:** **US D938,105 S**
Metz (45) **Date of Patent:** **** Dec. 7, 2021**

(54) **LEASH-ATTACHABLE POUCH**

(71) Applicant: **Michael Metz**, Scottsdale, AZ (US)

(72) Inventor: **Michael Metz**, Scottsdale, AZ (US)

(**) Term: **15 Years**

(21) Appl. No.: **29/723,602**

(22) Filed: **Feb. 7, 2020**

(51) **LOC (13) Cl.** **30-04**

(52) **U.S. Cl.**

USPC **D30/153**; D3/215

(58) **Field of Classification Search**

USPC D30/144, 151, 152, 153, 154, 155, 199;
D21/68, 683, 684, 732, 777, 840;
D3/215, 274, 290; D8/44, 358

CPC .. A01K 27/008; A01K 27/003; A01K 27/004;
A01K 27/005; A01K 23/005; A01K 1/04

See application file for complete search history.

(56) **References Cited**

U.S. PATENT DOCUMENTS

5,718,192	A *	2/1998	Sebastian	A01K 27/006 119/795
6,019,067	A *	2/2000	Carey	A01K 27/006 119/795
D425,266	S *	5/2000	Rubinstein	D30/153
D488,591	S *	4/2004	Hall	D30/153
D519,730	S *	5/2006	de Guillebon	D3/215
D685,957	S *	7/2013	Schiffman	D3/226
D724,843	S *	3/2015	Abbott	D3/301
D771,323	S *	11/2016	Whitefield	D30/153
9,861,078	B1 *	1/2018	Mantelli	A01K 27/003
10,596,443	B1 *	3/2020	Pomroy	B65D 33/25
D909,748	S *	2/2021	Melton-Falcon	D3/215
2003/0111022	A1 *	6/2003	Woolley	A01K 27/004 119/868
2008/0179902	A1 *	7/2008	Phillips	E01H 1/1206 294/1.3

OTHER PUBLICATIONS

“Tuff Mutt: Leash Attachment Bag Holder”. Found online Mar. 24, 2021 at chewy.com. Reference dated Feb. 12, 2017. Retrieved from <https://www.chewy.com/tuff-mutt-leash-attachment-poop-bag/dp/136509?>.*

“Leash Luggage: Leash Pouch”. Found online Nov. 29, 2017 at dog-milk.com. Reference dated Apr. 7, 2013. Retrieved from <http://dog-milk.com/its-spring-get-up-and-get-out-with-fun-time-dog-shop/>.*

(Continued)

Primary Examiner — Kendra Leslie Hamilton

(74) *Attorney, Agent, or Firm* — Spencer Fane LLP;
David A. Banko

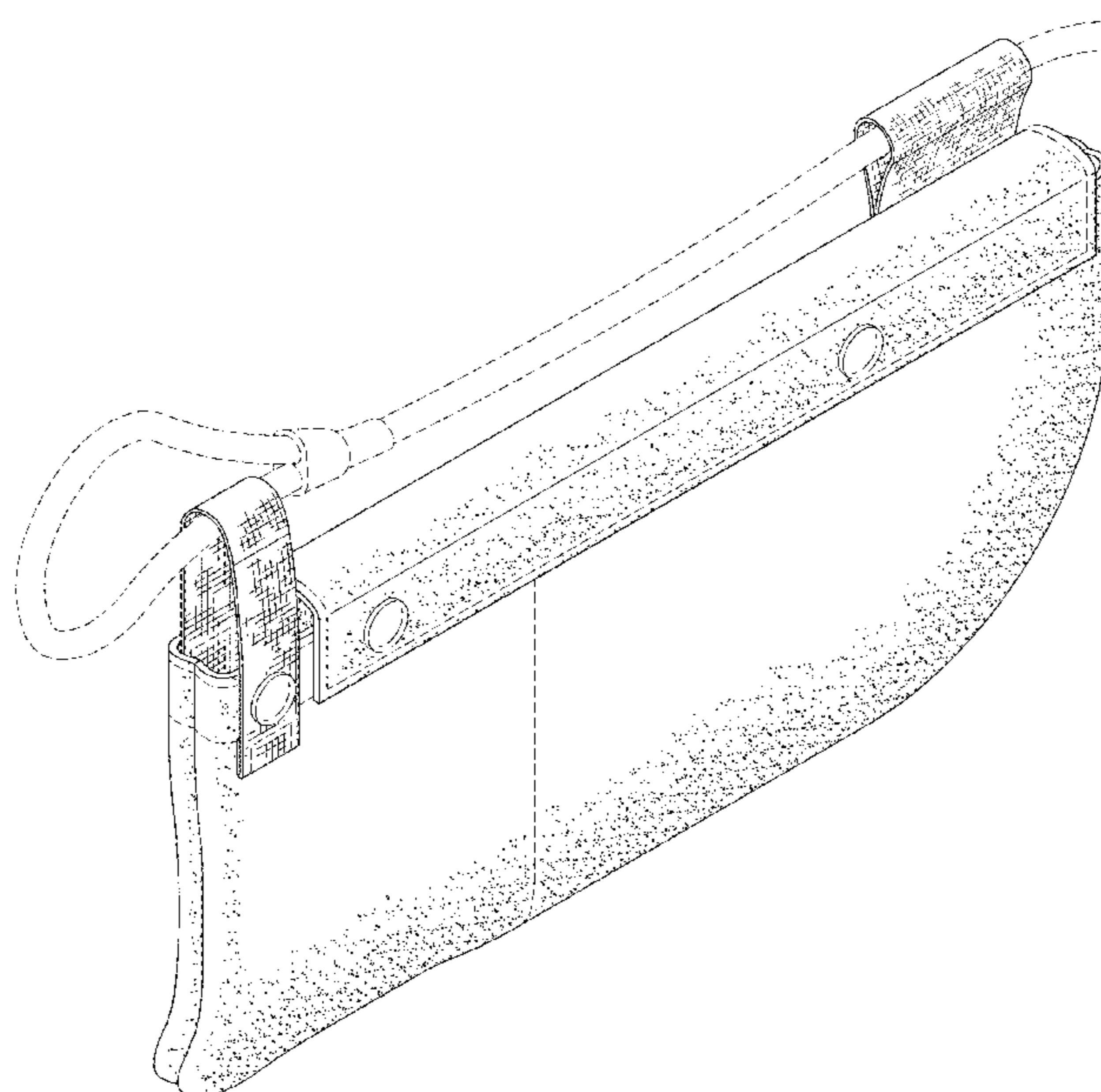
(57) **CLAIM**

The ornamental design for a leash-attachable pouch, as shown and described.

DESCRIPTION

FIG. 1 is a top, front, right perspective view of a leash-attachable pouch, showing my new design; FIG. 2 is a front elevation view thereof; FIG. 3 is a back elevation view thereof; FIG. 4 is a left side elevation view thereof; FIG. 5 is a right side elevation view thereof; FIG. 6 is top plan view thereof; FIG. 7 is a bottom plan view thereof; and, FIG. 8 is top, front, right perspective view of the leash-attachable pouch of FIG. 1, shown in a condition of use. In the drawings, the broken line showing on the leash-attachable pouch depicts stitching and forms no part of the claimed design. In FIG. 8, the broken lines showing a leash depict environmental subject matter only and form no part of the claimed design. The drawings are shaded to indicate contrasting surfaces.

1 Claim, 6 Drawing Sheets



(56)

References Cited

OTHER PUBLICATIONS

“Wagwear: Neoprene Leash Pouch”. Found online Nov. 27, 2017 at dog-milk.com. Reference dated Apr. 7, 2010. Retrieved from <http://dog-milk.com/neoprene-leash-pouch/>.*

“Curli Treat Bag V2”. Found online Jun. 25, 2019 at amazon.de. Reference dated Jul. 20, 2018. Retrieved from https://www.amazon.de/Curli-Futterbeutel-V2-Blau-FB-DB/dp/B07FQZ5Q27/ref=sr_1_4?.*

* cited by examiner

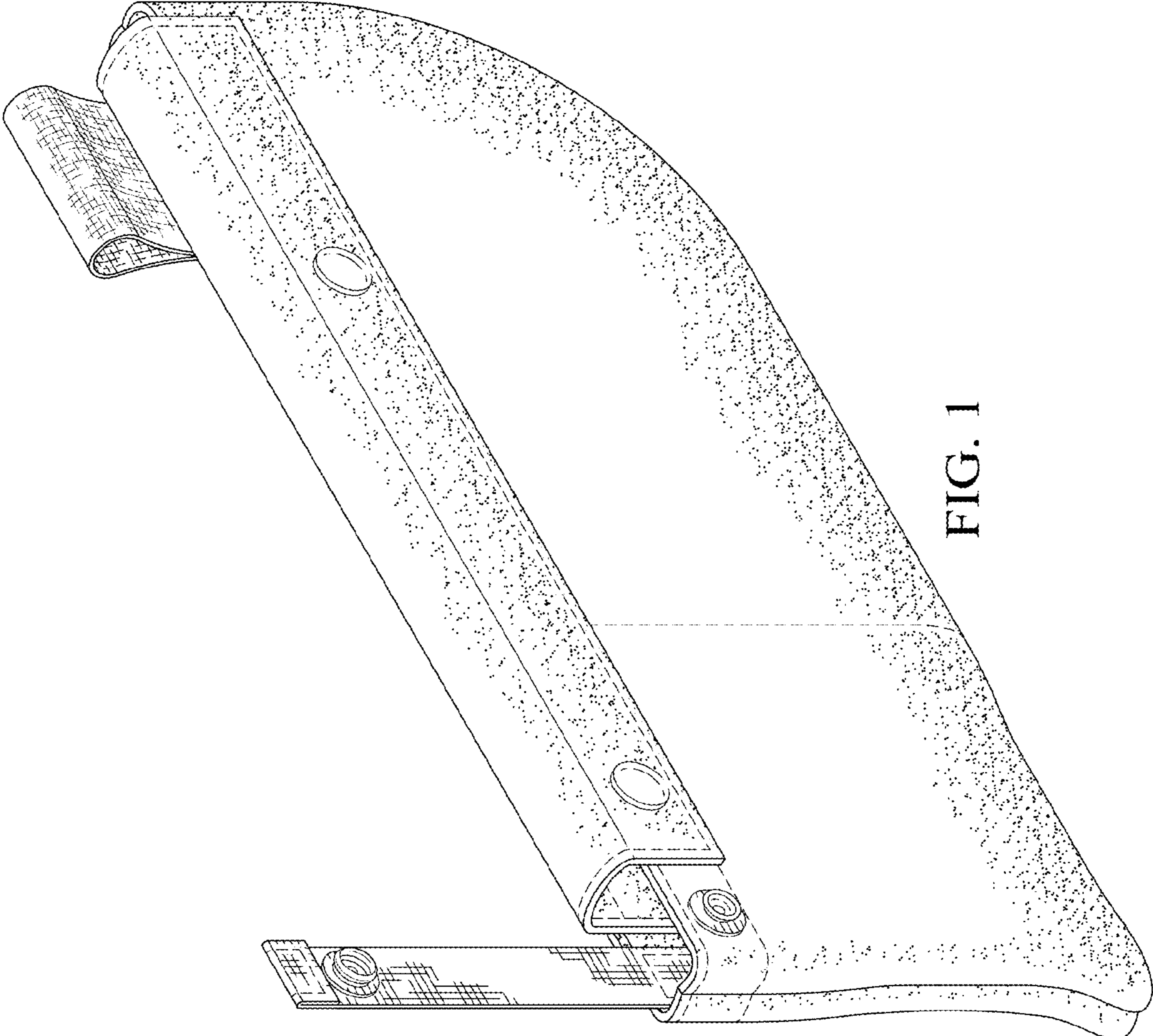


FIG. 1

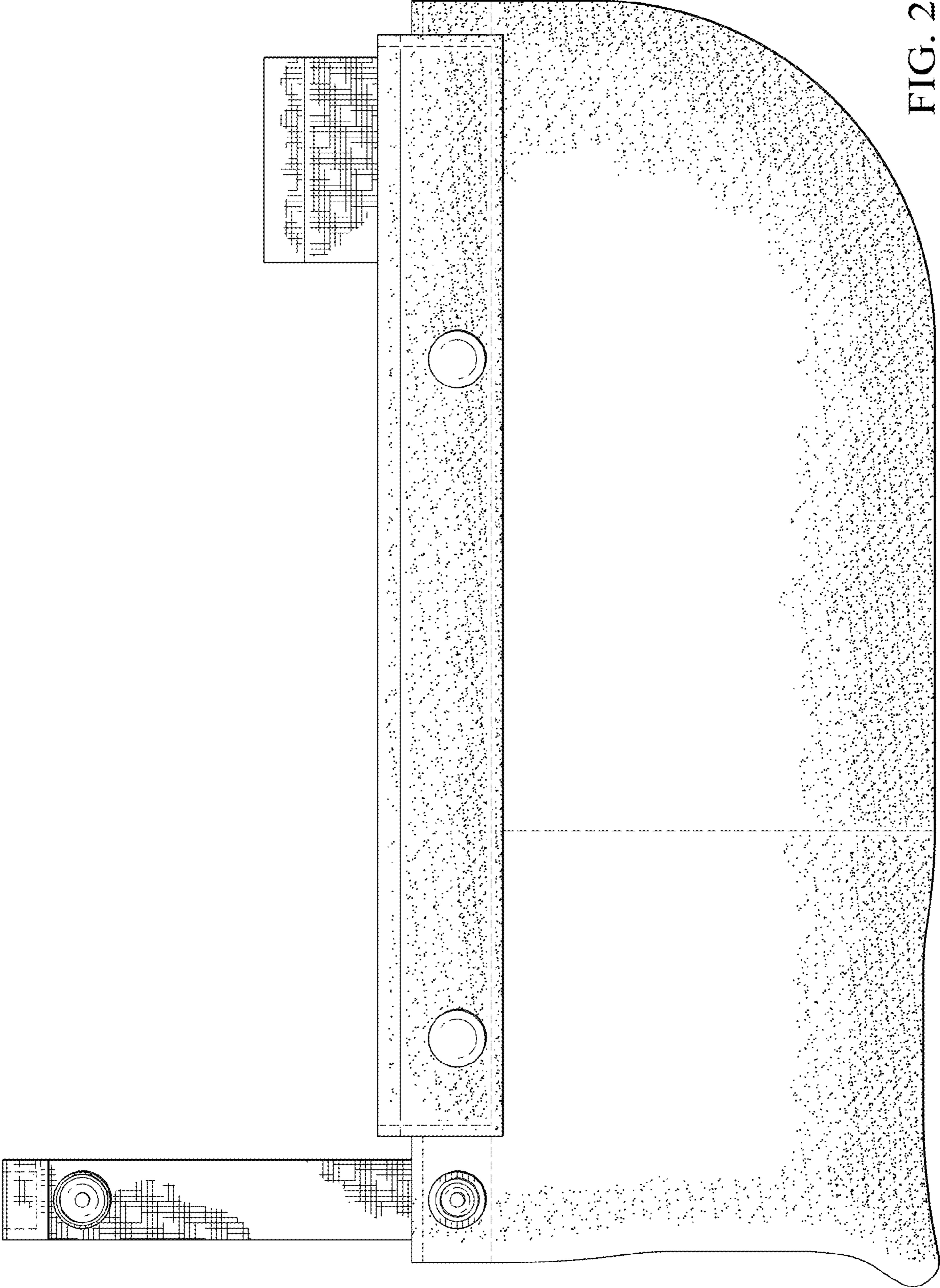


FIG. 2

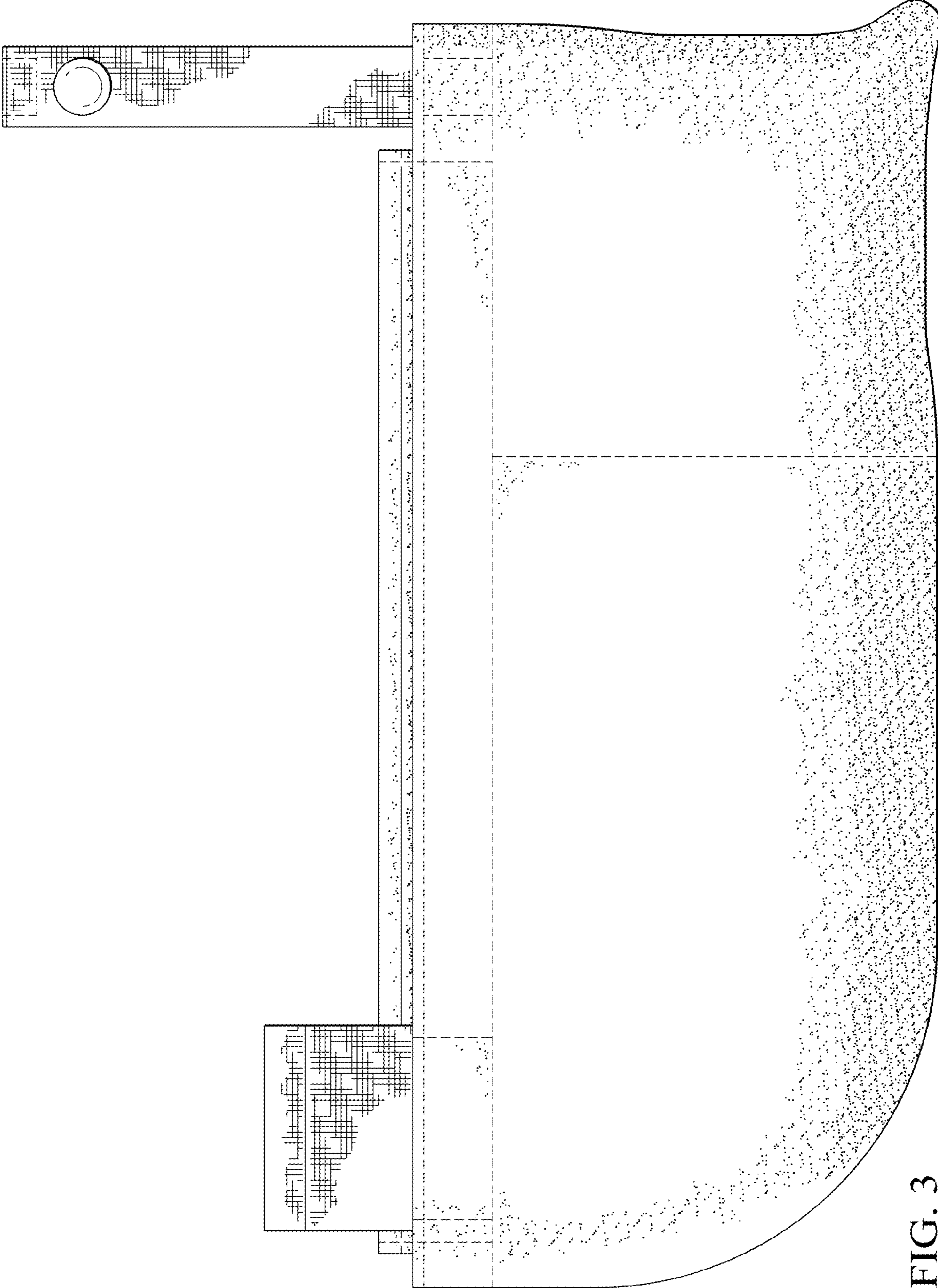


FIG. 3

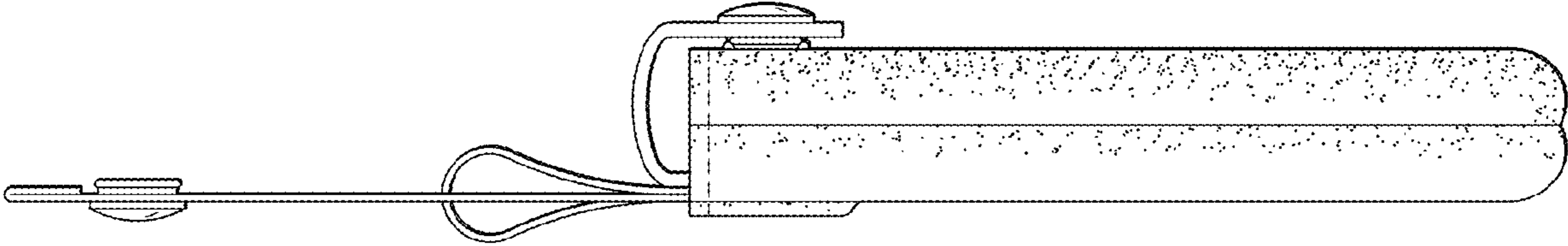


FIG. 5

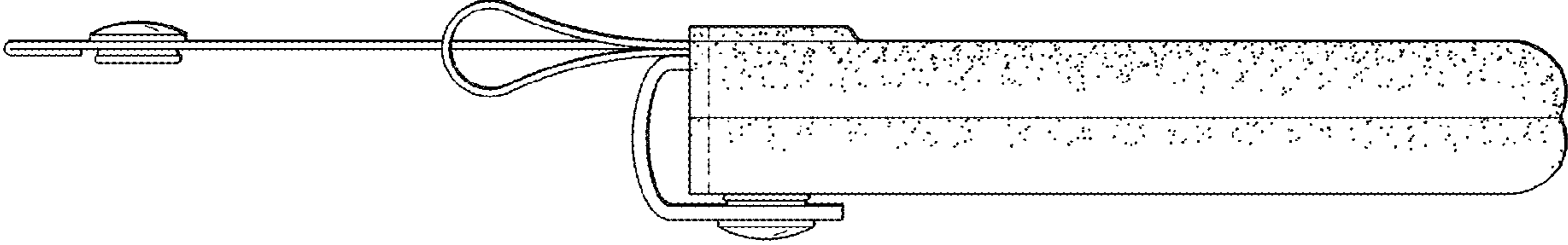


FIG. 4

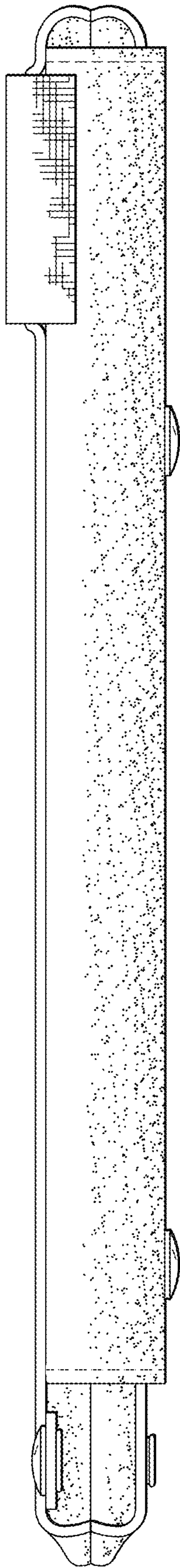


FIG. 6

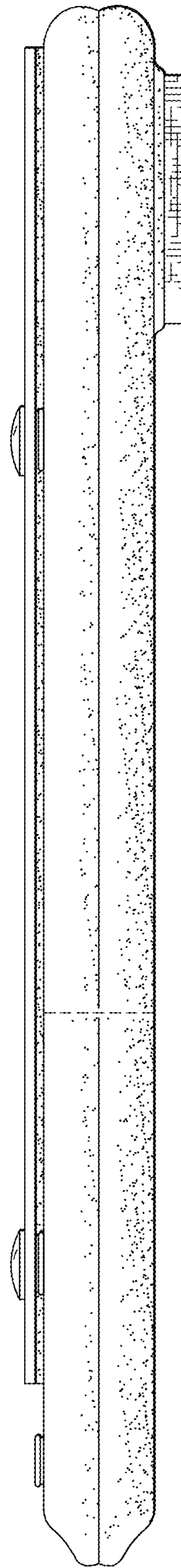


FIG. 7

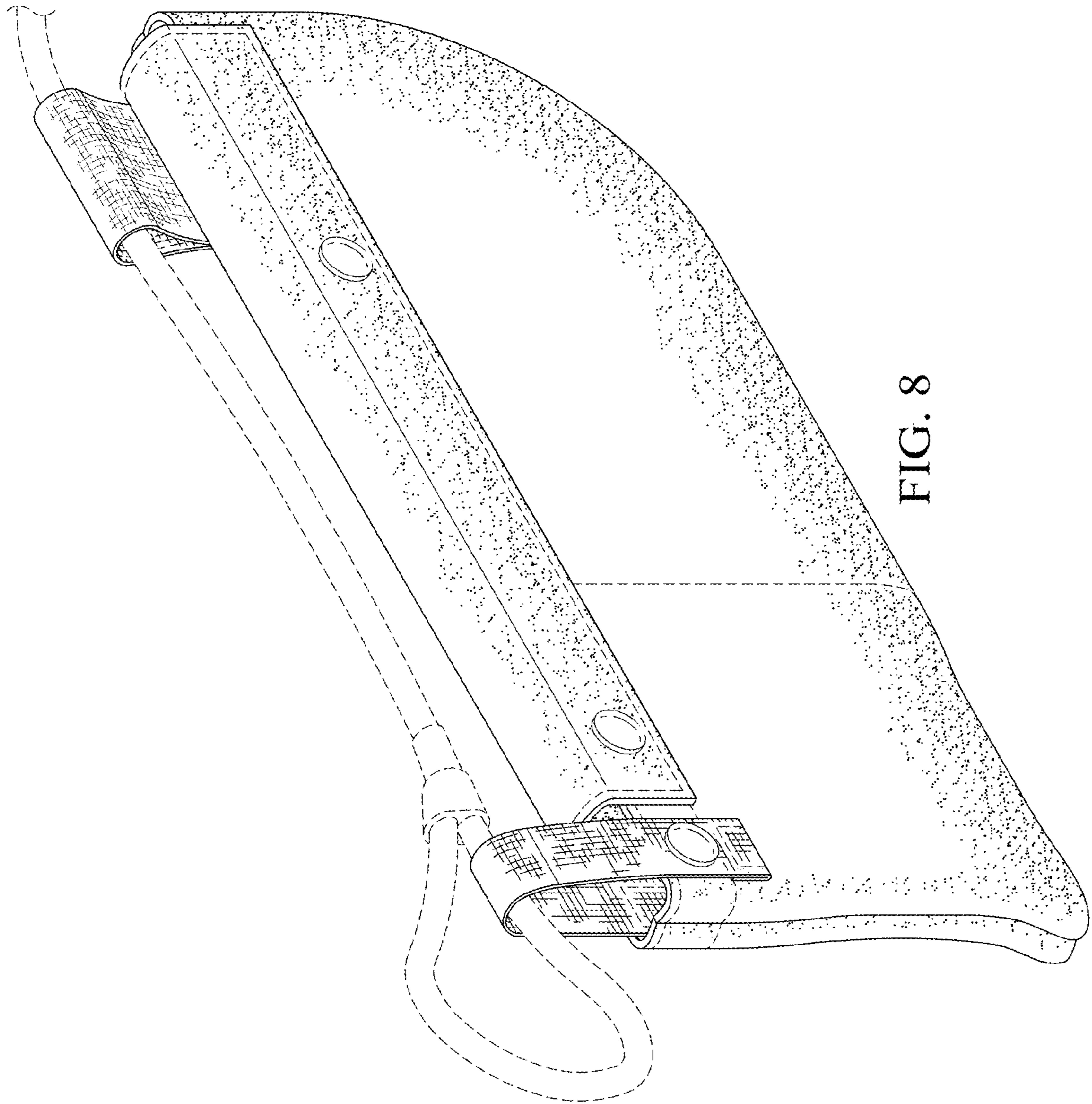


FIG. 8