



US00D938103S

(12) **United States Design Patent**
Kim et al.

(10) **Patent No.:** **US D938,103 S**
(45) **Date of Patent:** **** Dec. 7, 2021**

(54) **MUZZLE FOR PETS**

(71) Applicant: **LUVLIV Inc.**, Goyang-si (KR)

(72) Inventors: **Sang Jun Kim**, Seoul (KR); **Su Yeon Kim**, Seoul (KR); **Gui Joong Pyo**, Goyang-si (KR); **Seong Won Pyo**, Goyang-si (KR)

(73) Assignee: **LUVLIV INC.**, Goyang-si (KR)

(**) Term: **15 Years**

(21) Appl. No.: **29/697,629**

(22) Filed: **Jul. 10, 2019**

(30) **Foreign Application Priority Data**

Apr. 10, 2019 (KR) 30-2019-0016855

(51) **LOC (13) Cl.** **30-04**

(52) **U.S. Cl.**
USPC **D30/152**

(58) **Field of Classification Search**
USPC D30/144, 145, 151, 152, 153, 154, 155, D30/199; D3/215, 218, 221, 222, 226, D3/231, 229, 228, 254; D29/101.1, D29/101.3, 101.4, 101.5, 103, 122; D24/190-192, 199, 186, 207, 165, 206, D24/169; D10/40, 70, 50, 52, 60, 61, D10/104.1, 104.2; D14/344, 242; D12/409; D11/4; D8/333, 343, 346; D26/38; D21/662, 804; D2/627
CPC A01K 27/00; A01K 27/001; A01K 27/002; A01K 27/003; A01K 27/004; A01K 27/005; A01K 27/006; A01K 27/008; A01K 27/009; A01K 25/00; A01K 15/04; A01K 15/021; A01K 15/022; A01K 11/006; A01K 11/008; B68B 1/02; B68B 1/01

See application file for complete search history.

(56) **References Cited**

U.S. PATENT DOCUMENTS

6,082,309 A * 7/2000 Wexler A01K 25/00
119/837
6,119,633 A * 9/2000 Berke A01K 25/00
119/822

(Continued)

FOREIGN PATENT DOCUMENTS

KR 300864818.0000 * 7/2016
KR 300998025.0000 * 3/2019
WO WO D087743-001 * 4/2016

OTHER PUBLICATIONS

LUVLIV Soft Dog Muzzle Cover for Small Dogs with Overhead Strap, published Sep. 1, 2020 [online][retrieved May 17, 2021], Available from Internet, URL: <https://www.amazon.com/LUVLIV-Muzzle-Cover-Small-Overhead/dp/B08H4J8W7M?th=1>.*

(Continued)

Primary Examiner — Dana K Weiland

Assistant Examiner — Mary Claire Ramirez

(74) *Attorney, Agent, or Firm* — Novick, Kim & Lee, PLLC; Jae Youn Kim; Hyunwoo Shin

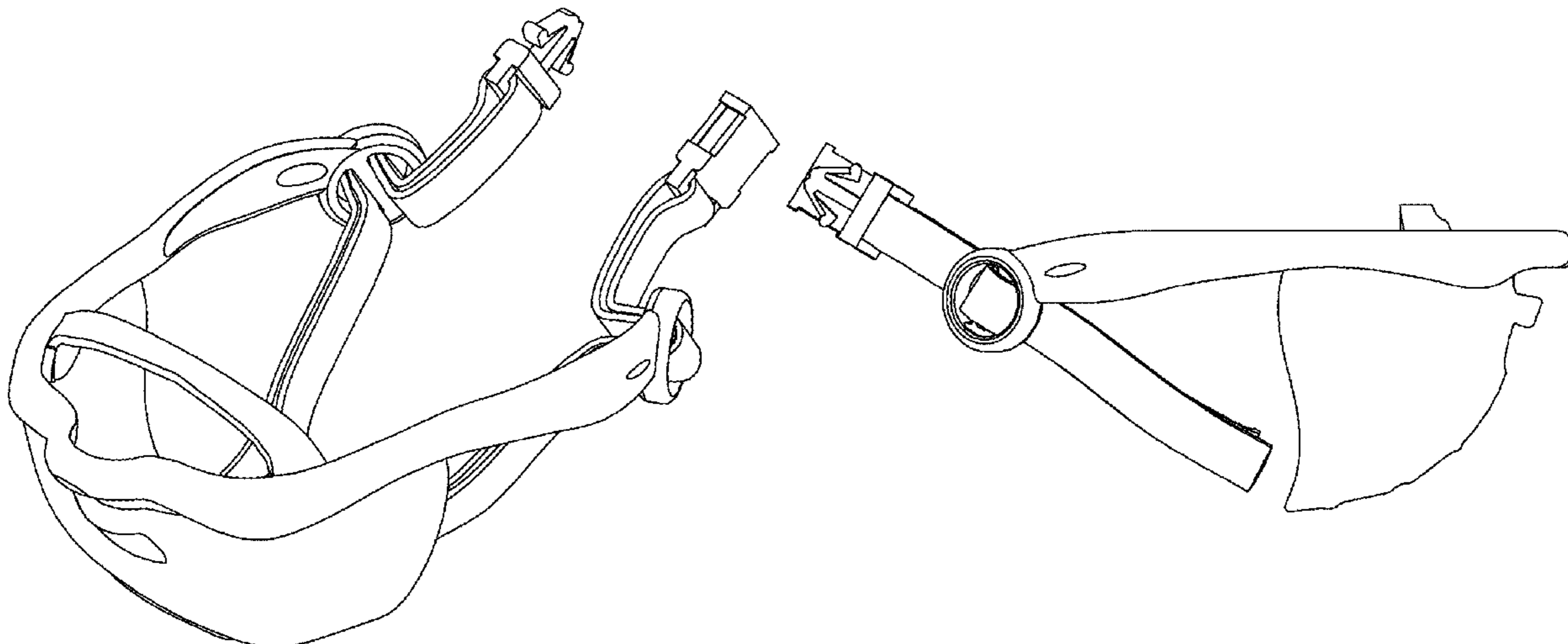
(57) **CLAIM**

We claim, the ornamental design for a muzzle for pets, as shown and described.

DESCRIPTION

FIG. 1 is a top, left side perspective view of a muzzle for pets, showing our new design;
FIG. 2 is a front elevational view thereof;
FIG. 3 is a rear elevational view thereof;
FIG. 4 is a left side elevational view thereof;
FIG. 5 is a right side elevational view thereof;
FIG. 6 is a top plan view thereof;
FIG. 7 is a bottom plan view thereof;
FIG. 8 is a bottom perspective view thereof; and,
FIG. 9 is a top, right side perspective view thereof.

1 Claim, 7 Drawing Sheets



(56)

References Cited

U.S. PATENT DOCUMENTS

6,227,148 B1 * 5/2001 Wexler A01K 25/00
119/837
6,925,966 B1 * 8/2005 Wexler A01K 13/006
119/814
D706,497 S * 6/2014 Watanabe D30/152
D787,137 S * 5/2017 Watanabe D30/152
2007/0028856 A1 * 2/2007 Ma A01K 27/00
119/831
2009/0000570 A1 * 1/2009 Ashby A01K 27/00
119/858
2010/0024743 A1 * 2/2010 Wang A01K 25/00
119/832
2012/0178041 A1 * 7/2012 Cogley A01K 25/00
433/1
2014/0014046 A1 * 1/2014 Foradori A01K 25/00
119/850
2017/0311571 A1 * 11/2017 Lewsley A01K 25/00
2021/0060363 A1 * 3/2021 Barrett, Jr. A62B 9/04

OTHER PUBLICATIONS

Quack Face Dog Muzzle Small, published Sep. 21, 2020
[online][retrieved May 17, 2021], Available from Internet, URL:
<https://www.japantrendshop.com/quack-face-dog-muzzle-small-p-4982.html>.*

LUVLIV—wadiz, published Jul. 2019, [online][retrieved May 25,
2021], Available from Internet, URL: <https://www.wadiz.kr/web/campaign/detail/32820>.*

* cited by examiner

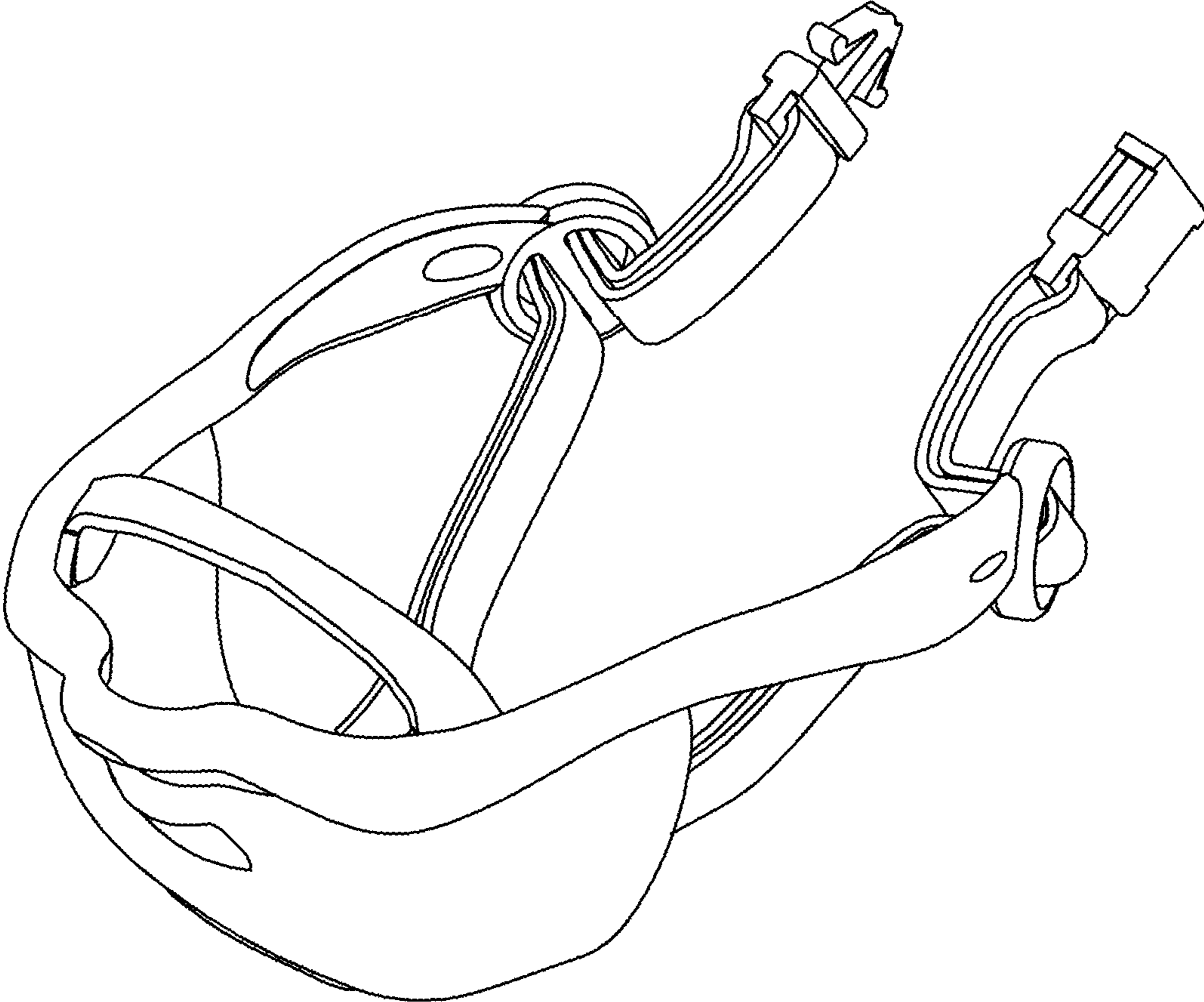


FIG. 1

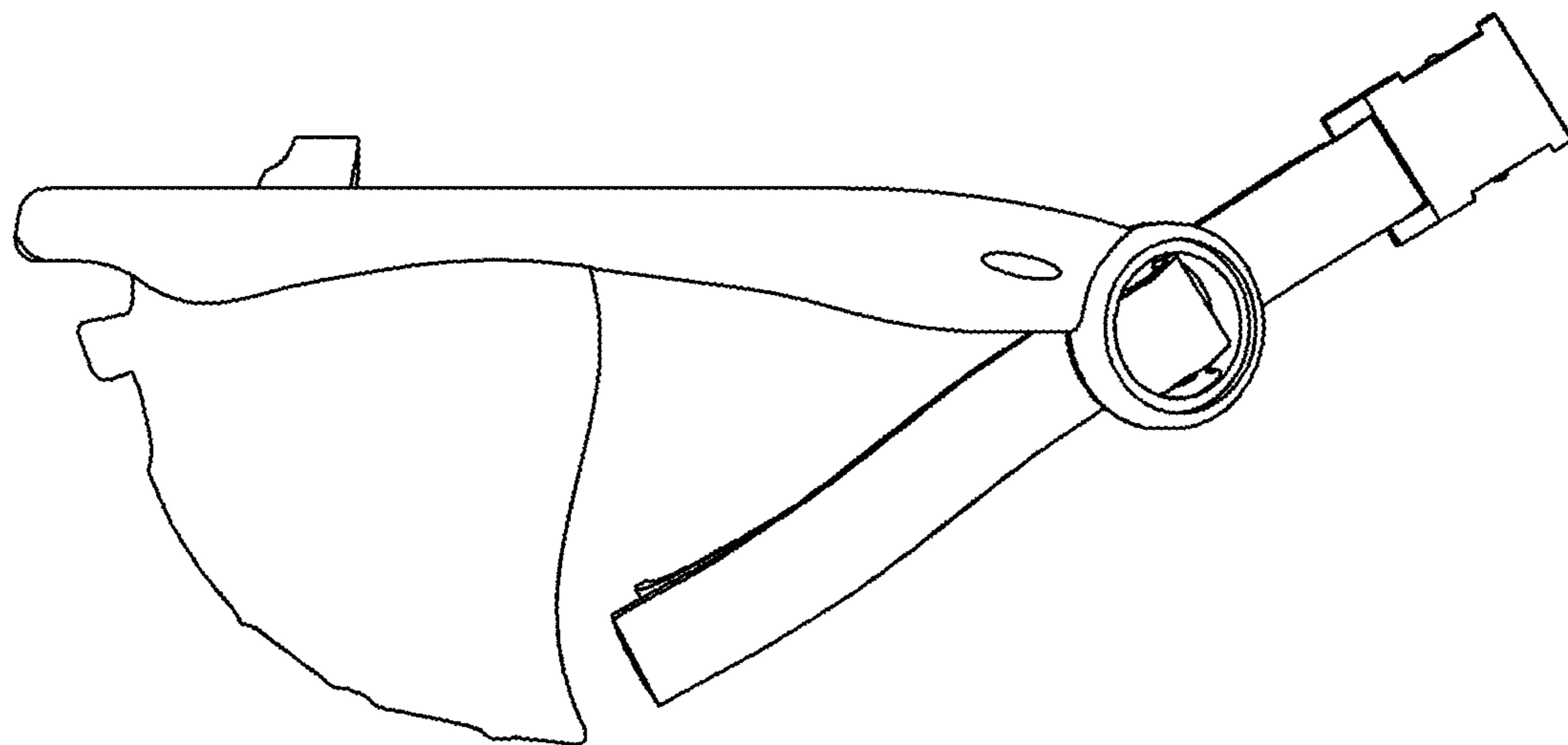


FIG. 2

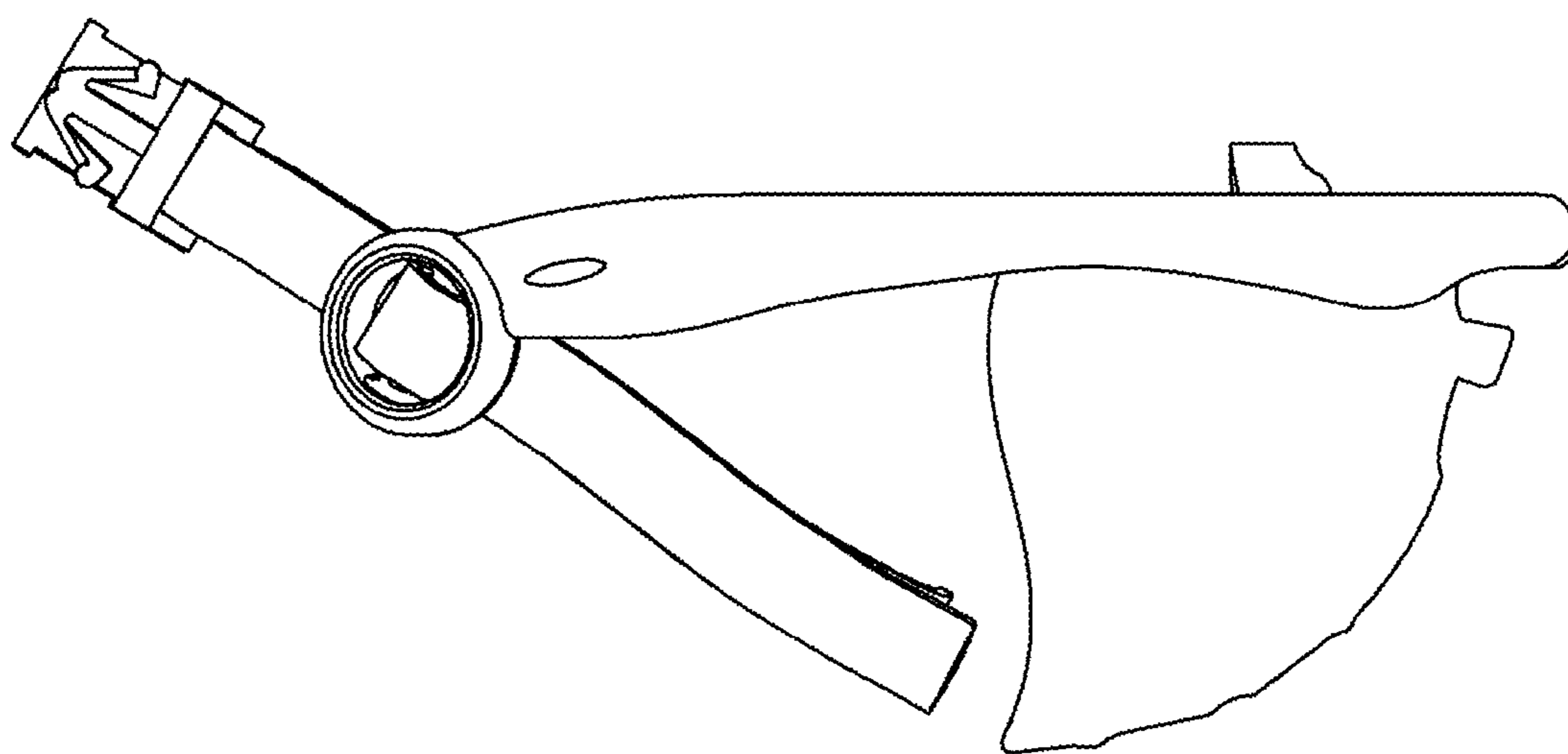


FIG. 3

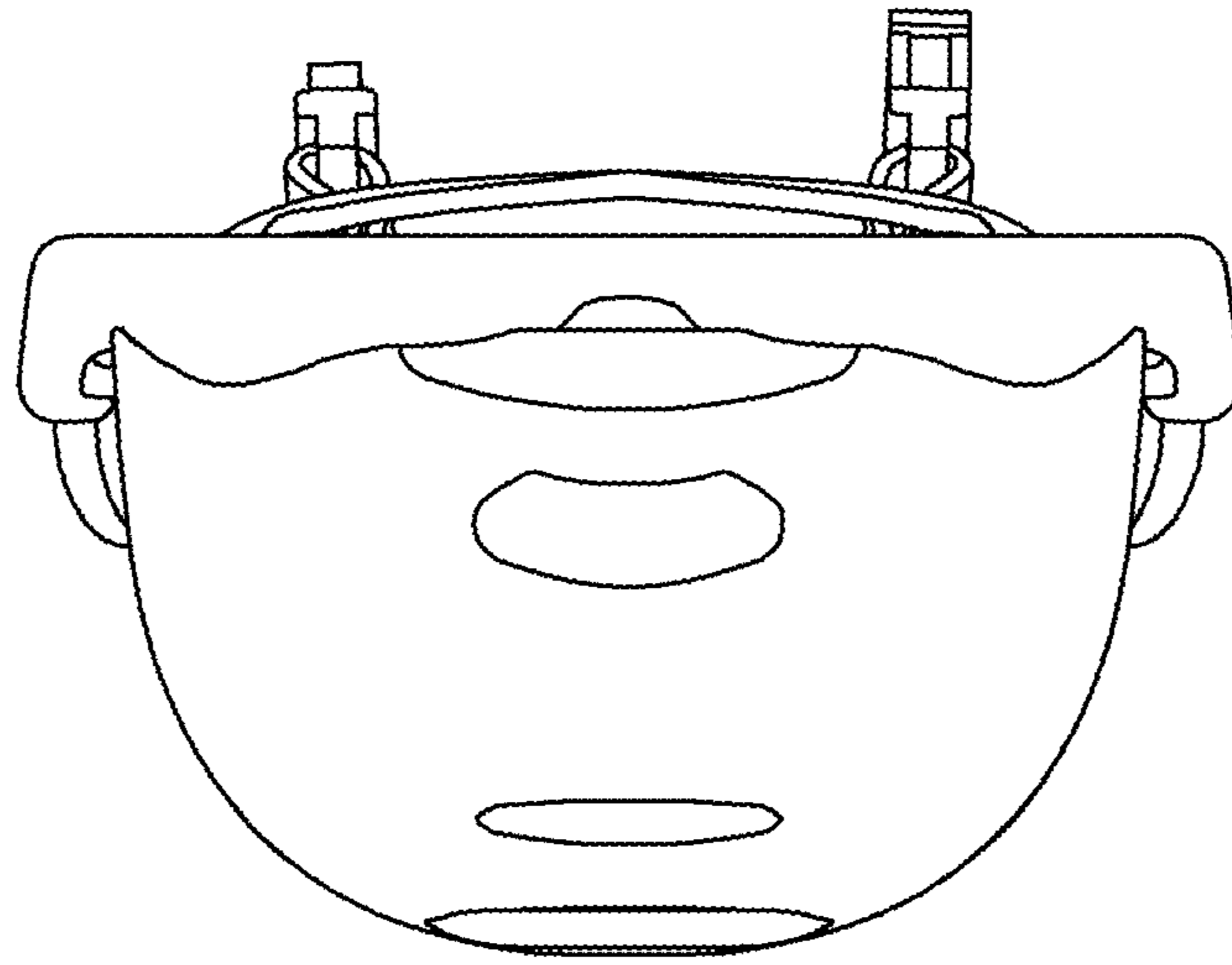


FIG. 4

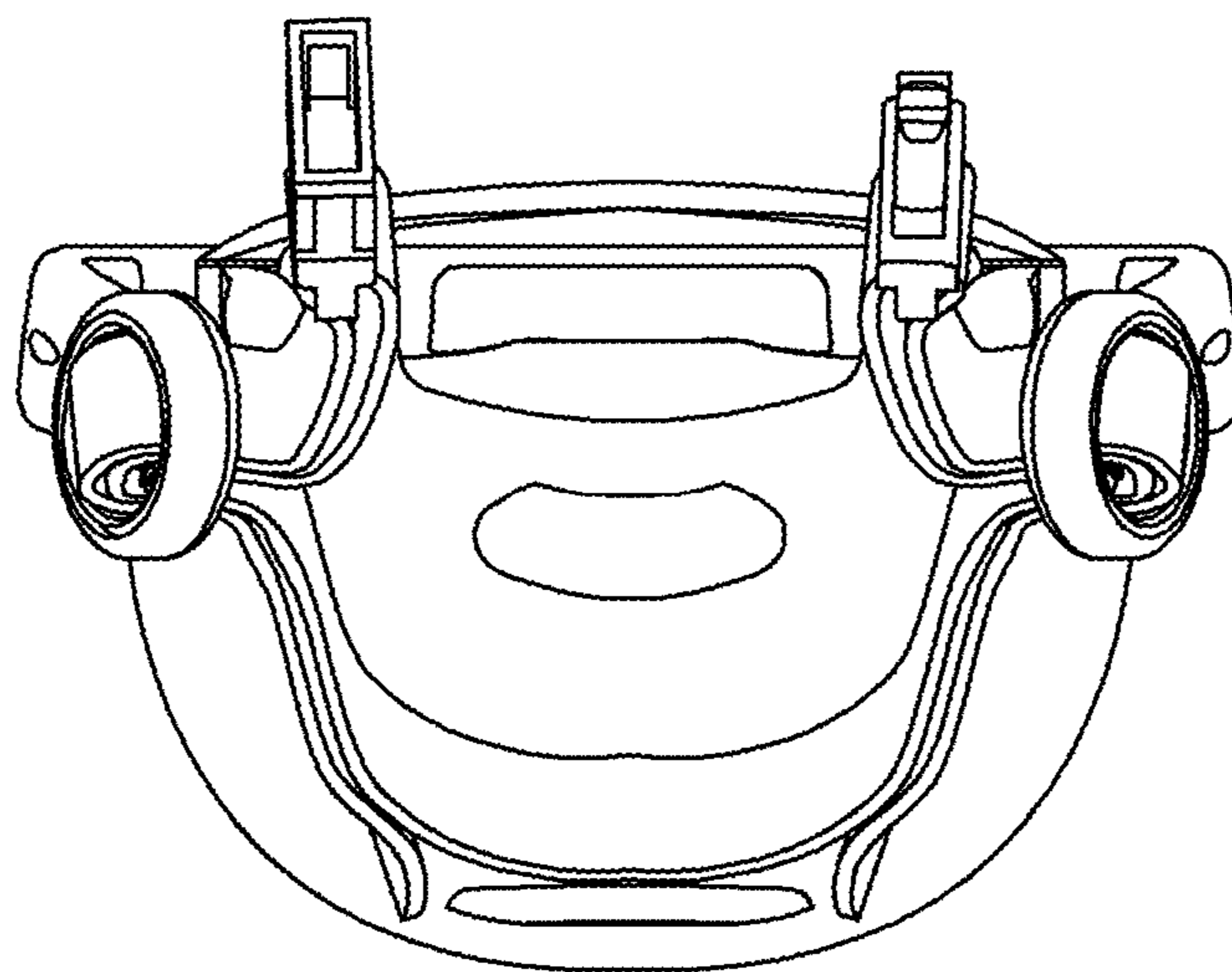


FIG. 5

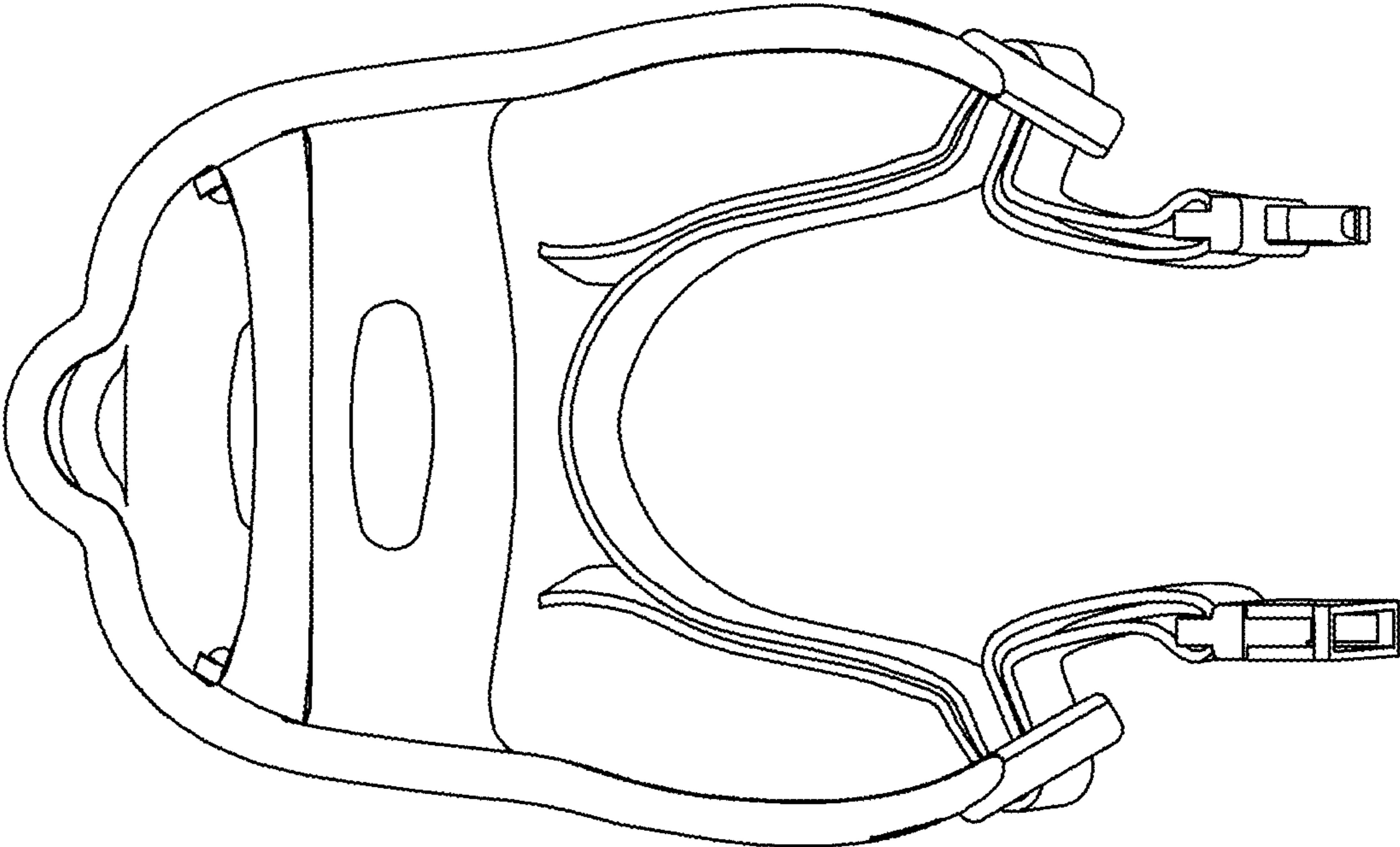


FIG. 6

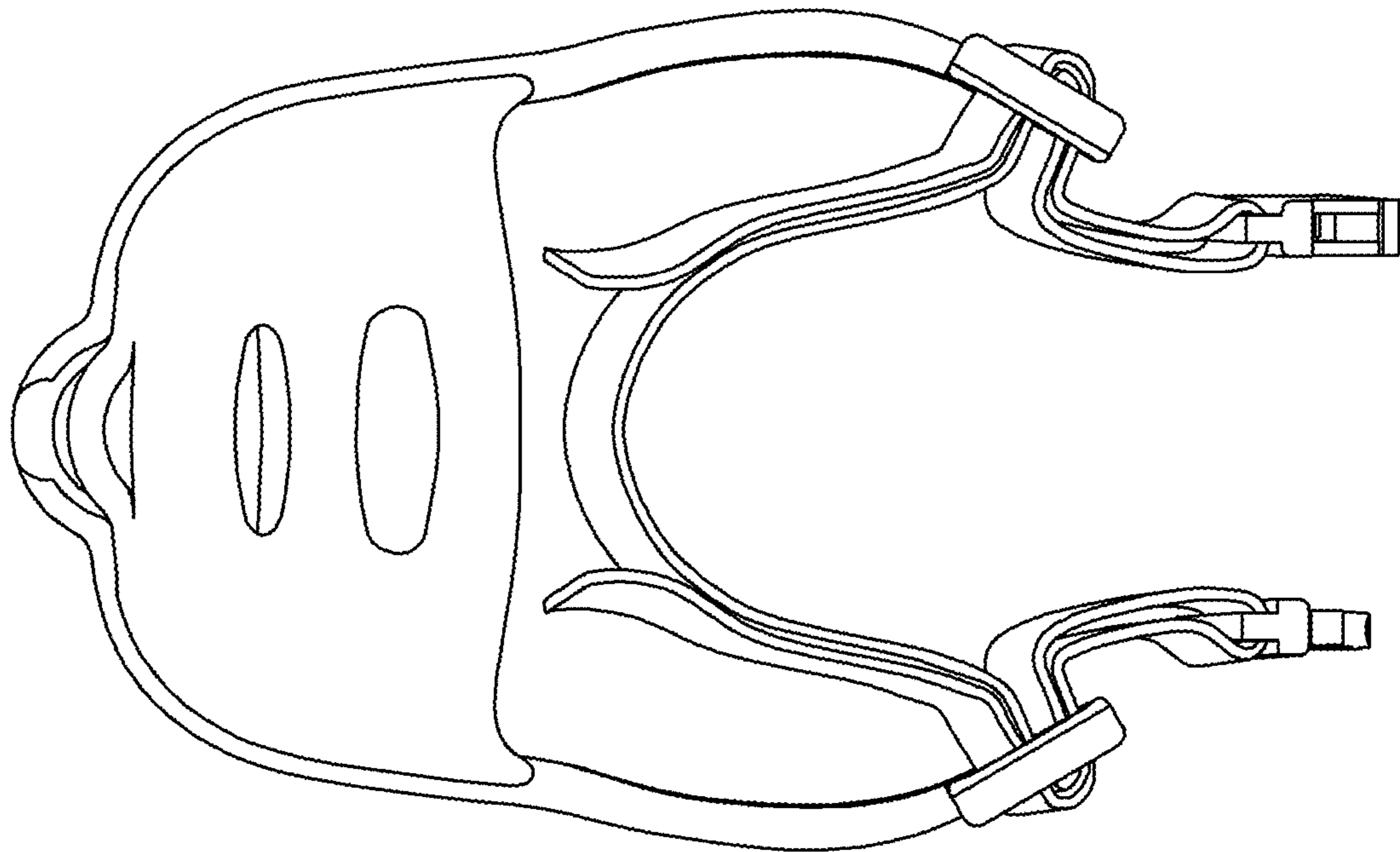


FIG. 7

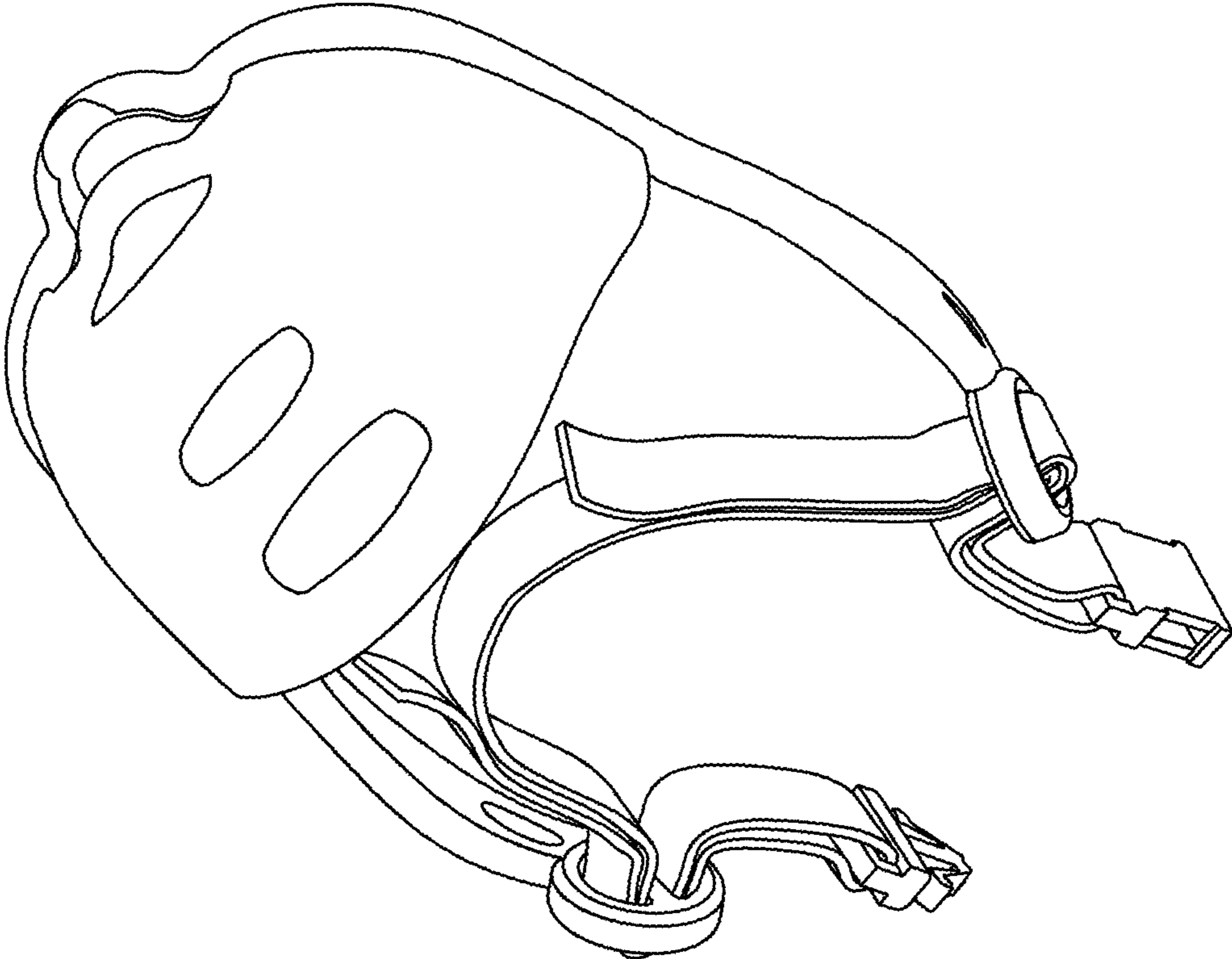


FIG. 8

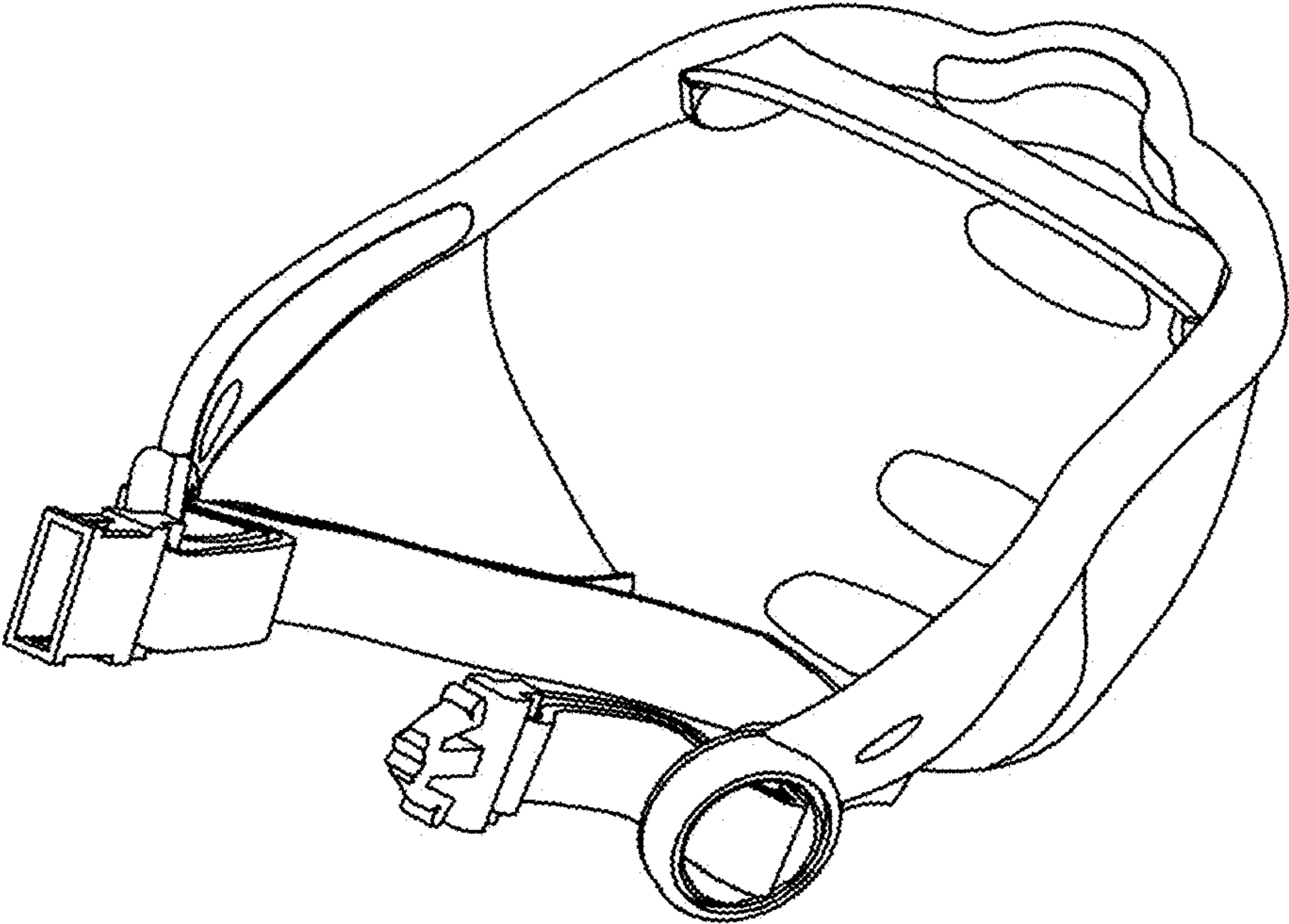


FIG. 9