



US00D938094S

(12) **United States Design Patent** (10) **Patent No.:** **US D938,094 S**  
**Wang** (45) **Date of Patent:** **\*\* Dec. 7, 2021**

(54) **LED FLOOR LAMP**  
(71) Applicant: **Siyun Wang**, Shenzhen (CN)  
(72) Inventor: **Siyun Wang**, Shenzhen (CN)  
(\*\*) Term: **15 Years**

D875,995 S 2/2020 Wang  
D876,707 S \* 2/2020 Tang ..... D26/110  
D905,321 S \* 12/2020 Tang ..... D26/110  
D916,355 S \* 4/2021 Sanchez Gonzalez ..... D26/93  
2019/0003699 A1\* 1/2019 Mondora ..... A45D 42/10

\* cited by examiner

*Primary Examiner* — Charles D Hanson

(21) Appl. No.: **29/765,435**  
(22) Filed: **Jan. 8, 2021**  
(51) **LOC (13) Cl.** ..... **26-03**  
(52) **U.S. Cl.**  
USPC ..... **D26/106**  
(58) **Field of Classification Search**  
USPC ..... D26/93, 104–110  
CPC ..... F21S 8/00; F21S 8/04; F21S 8/024; F21S  
8/026; F21S 8/031; F21S 8/043; F21S  
6/00; F21S 6/002–008; F21S 2/00; F21S  
9/00; F21S 9/02; F21S 9/022  
See application file for complete search history.

(57) **CLAIM**

The ornamental design for an LED floor lamp, as shown and described.

**DESCRIPTION**

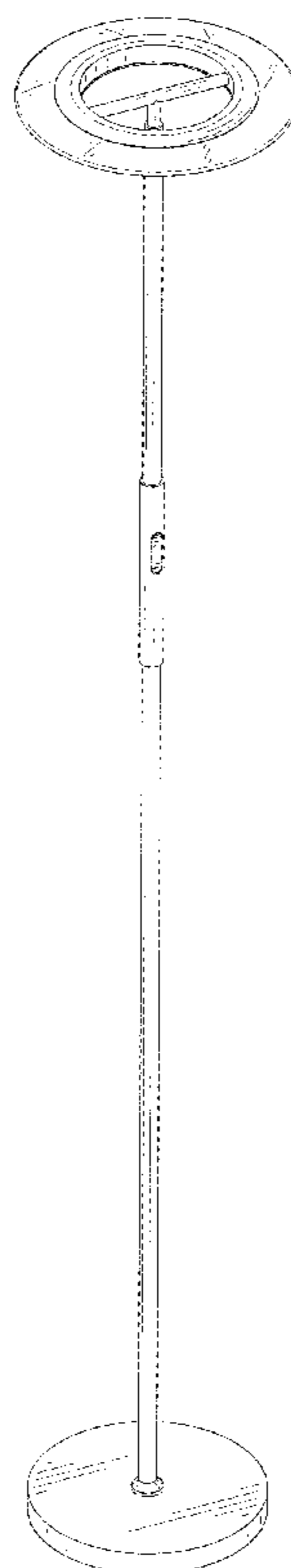
FIG. 1 is a perspective view of an LED floor lamp showing my new design;  
FIG. 2 is another perspective view thereof;  
FIG. 3 is a front elevational view thereof;  
FIG. 4 is a rear elevational view thereof;  
FIG. 5 is a left side elevational view thereof;  
FIG. 6 is a right side elevational view thereof;  
FIG. 7 is a top plan view thereof;  
FIG. 8 is a bottom plan view thereof;  
FIG. 9 is an enlarged view of portion 9 shown in FIG. 2; and,  
FIG. 10 is an enlarged bottom plan view of the LED floor lamp.  
The broken lines in the drawings depict portions of the LED floor lamp that form no part of the claimed design.

(56) **References Cited**

**U.S. PATENT DOCUMENTS**

D262,407 S \* 12/1981 Ball ..... D26/24  
D327,546 S \* 6/1992 Benghozi ..... D26/106  
D368,548 S \* 4/1996 Lee ..... D26/106  
D469,563 S \* 1/2003 Irvine ..... D26/108  
D580,090 S \* 11/2008 Kubler ..... D26/105  
D788,972 S 6/2017 Araiza  
D789,567 S \* 6/2017 Katterheinrich ..... D26/2  
D844,887 S \* 4/2019 Ng ..... D26/106  
D872,347 S \* 1/2020 Probyn ..... D26/106

**1 Claim, 10 Drawing Sheets**



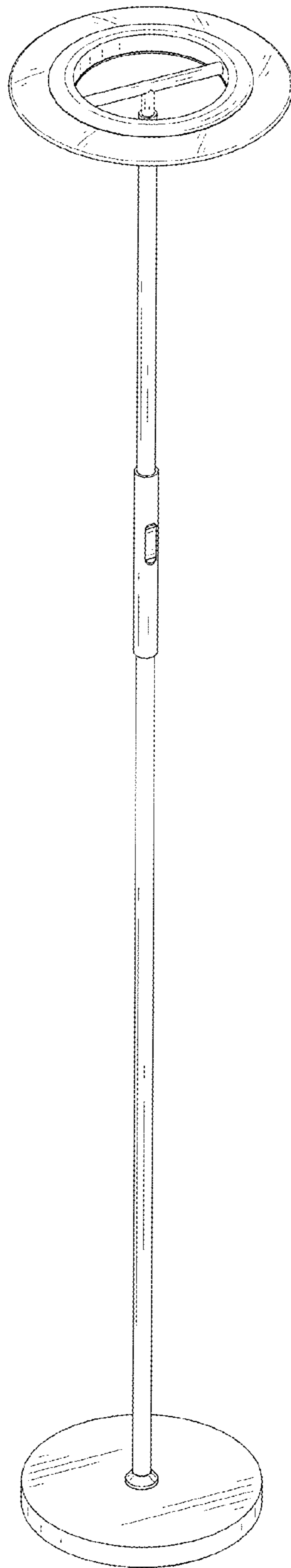


FIG. 1

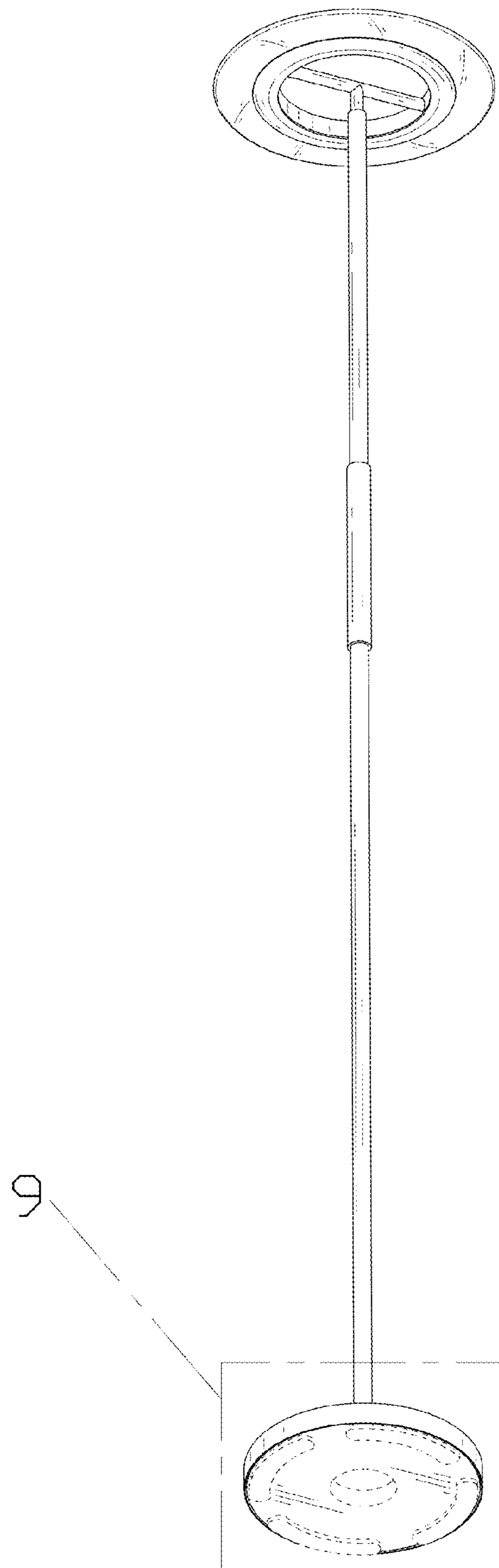


FIG. 2

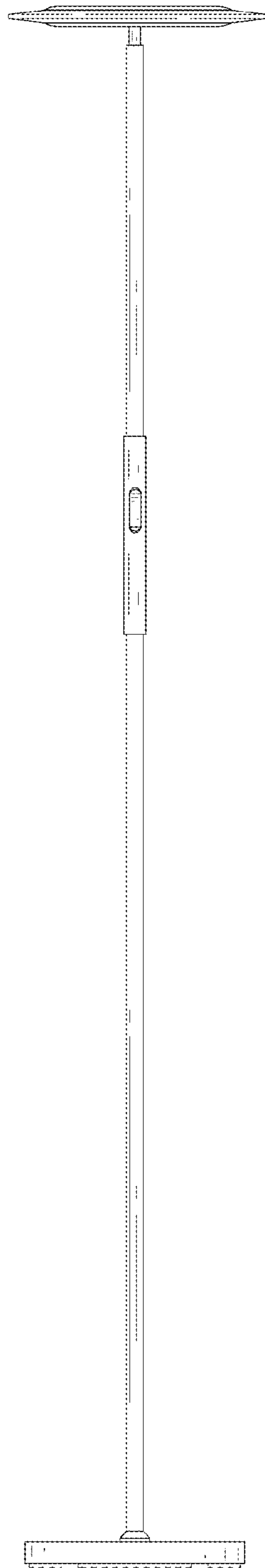


FIG. 3

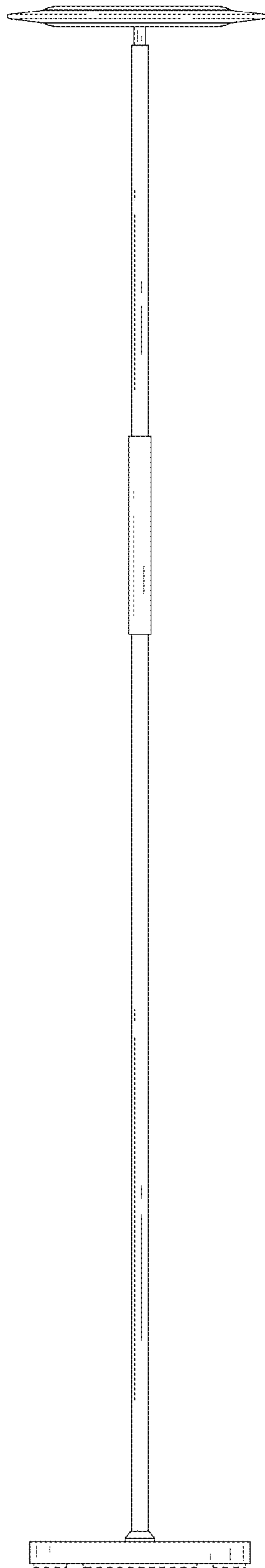


FIG. 4

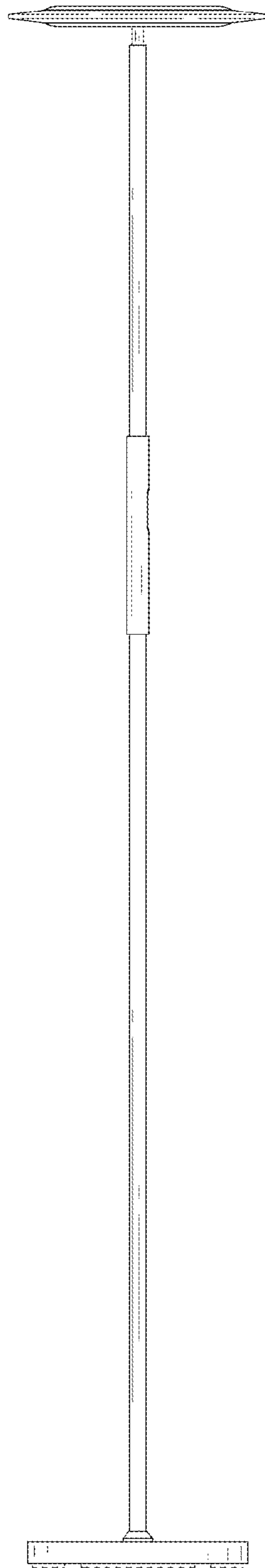


FIG. 5

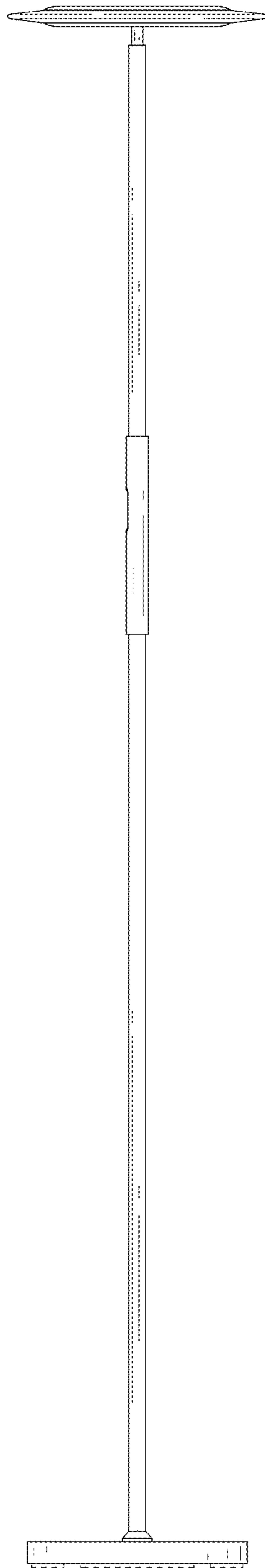


FIG. 6

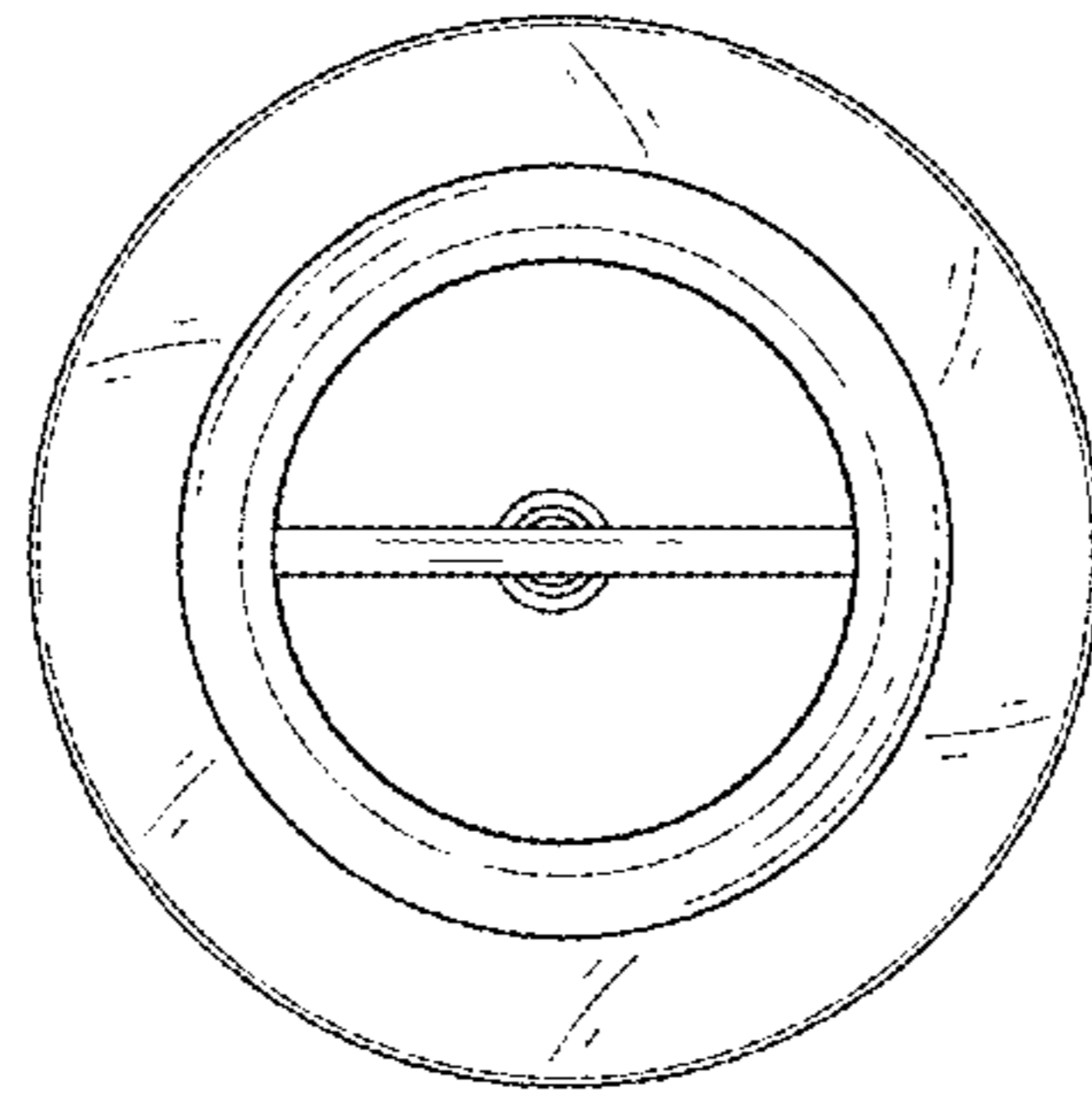


FIG. 7



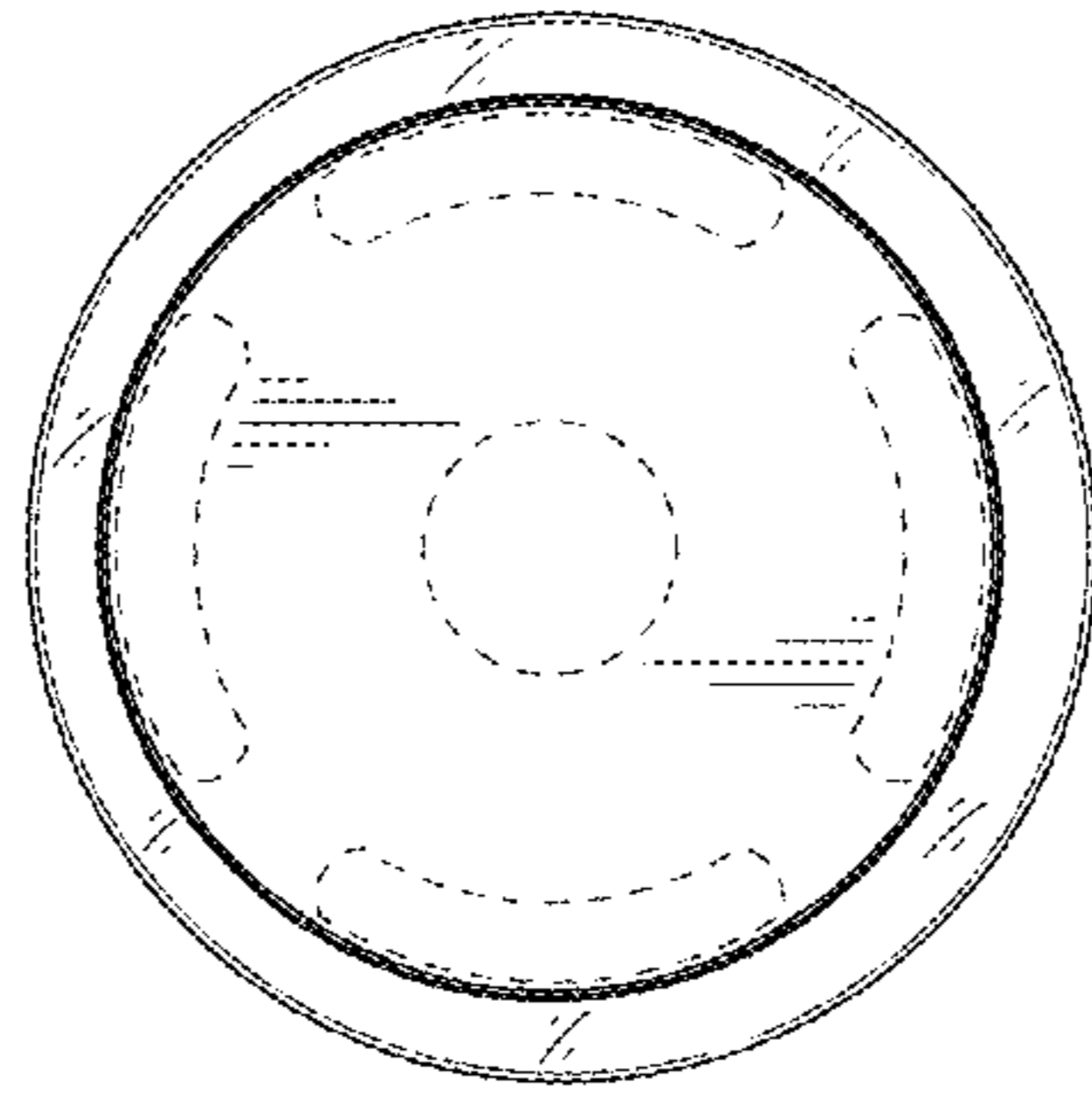


FIG. 8

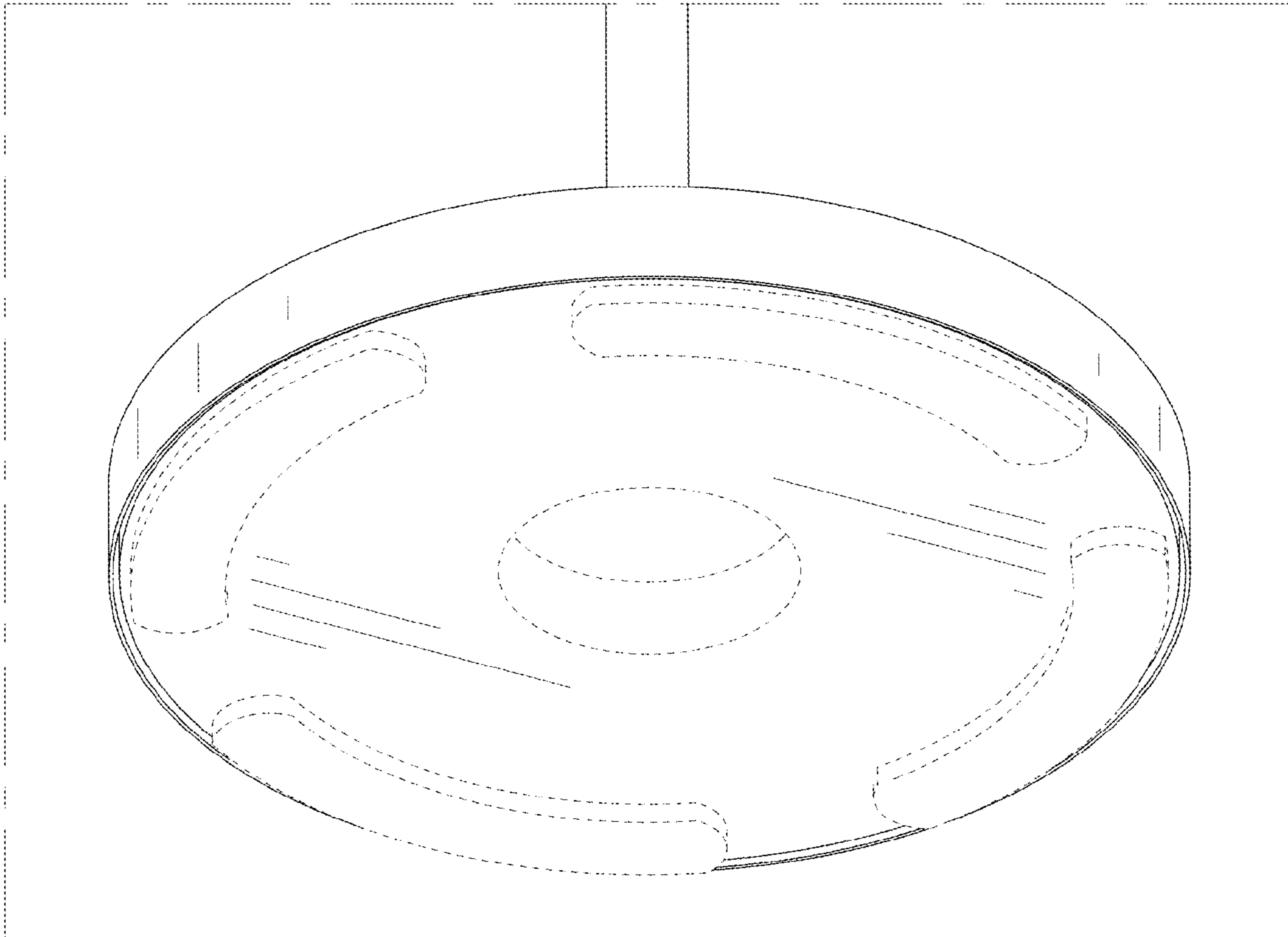


FIG. 9

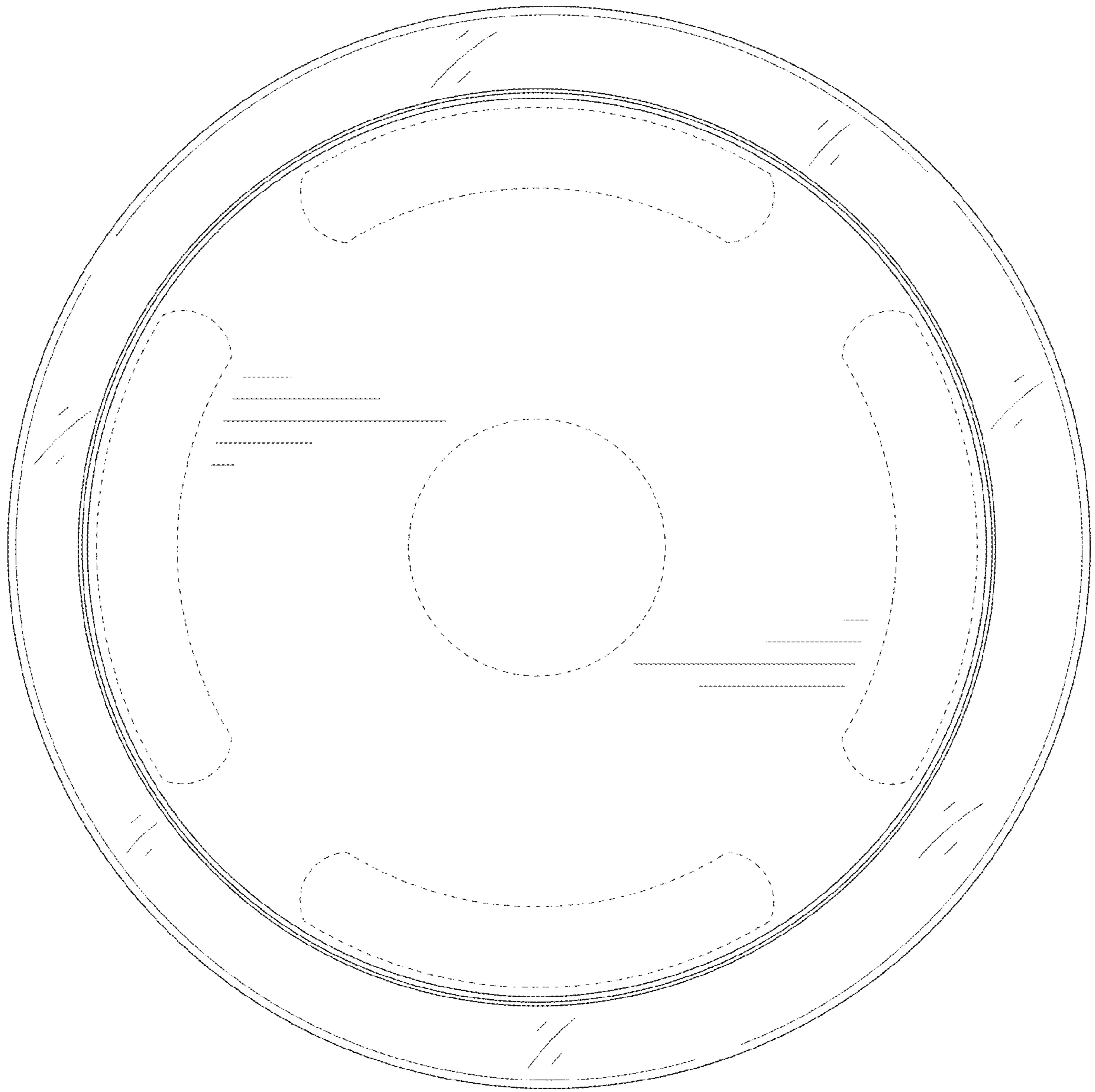


FIG. 10