



US00D938093S

(12) **United States Design Patent** (10) **Patent No.:** **US D938,093 S**  
**Titizian** (45) **Date of Patent:** **\*\* Dec. 7, 2021**

(54) **HANGING LIGHT**

(71) Applicant: **VNT Corp.**, Chatsworth, CA (US)

(72) Inventor: **Nareg Chris Titizian**, Tarzana, CA (US)

(73) Assignee: **VNT Corp.**, Chatsworth, CA (US)

(\*\*) Term: **15 Years**

(21) Appl. No.: **29/749,115**

(22) Filed: **Sep. 2, 2020**

(51) **LOC (13) Cl.** ..... **26-03**

(52) **U.S. Cl.**  
USPC ..... **D26/88**; D26/86

(58) **Field of Classification Search**  
USPC ..... D26/72, 76, 80-86, 88-91  
CPC ..... F21S 8/03; F21S 8/04; F21S 8/043; F21S  
8/046; F21S 8/06; F21S 8/061; F21S  
8/063; F21S 8/065

See application file for complete search history.

(56) **References Cited**

**U.S. PATENT DOCUMENTS**

D437,653 S *	2/2001	Hsu	.....	D26/72
D481,484 S *	10/2003	Cuevas	.....	D26/84
D536,468 S *	2/2007	Crosby	.....	D26/84
D645,174 S	9/2011	Johnson		
D729,430 S	5/2015	Poulton		
D760,420 S *	6/2016	Tomlinson	.....	D26/81
D770,662 S *	11/2016	Nicholas	.....	D26/81

(Continued)

**OTHER PUBLICATIONS**

Poisson 4-Light Geometric Chandelier by Andover Mills, available at wayfair.com as early as Jan. 8, 2020. (Year: 2020).\*

(Continued)

*Primary Examiner* — Clare E Heflin

(74) *Attorney, Agent, or Firm* — Narek Zohrabyan; Phil IP Law Inc.

(57) **CLAIM**

The ornamental design for a hanging light, as shown and described.

**DESCRIPTION**

FIG. 1 is a bottom, front, right side perspective view of the hanging light;

FIG. 2 is a top, front, left side perspective view of the hanging light;

FIG. 3 is a front elevation view of the hanging light, the rear elevation view being a mirror image;

FIG. 4 is a left side elevation view of the hanging light, the right side elevation view being a mirror image;

FIG. 5 is a top plan view of the hanging light shown at an enlarged scale;

FIG. 6 is a bottom plan view of the hanging light shown at an enlarged scale;

FIG. 7 is a bottom, front, right side perspective view of the hanging light showing the light strips in an illuminated state, with the hanging support shown broken-away for ease of illustration only;

FIG. 8 is a bottom, front, right side perspective view of a second embodiment of the hanging light;

FIG. 9 is a top, front, left side perspective view of the hanging light of FIG. 8;

FIG. 10 is a front elevation view of the hanging light of FIG. 8, the rear elevation being a mirror image;

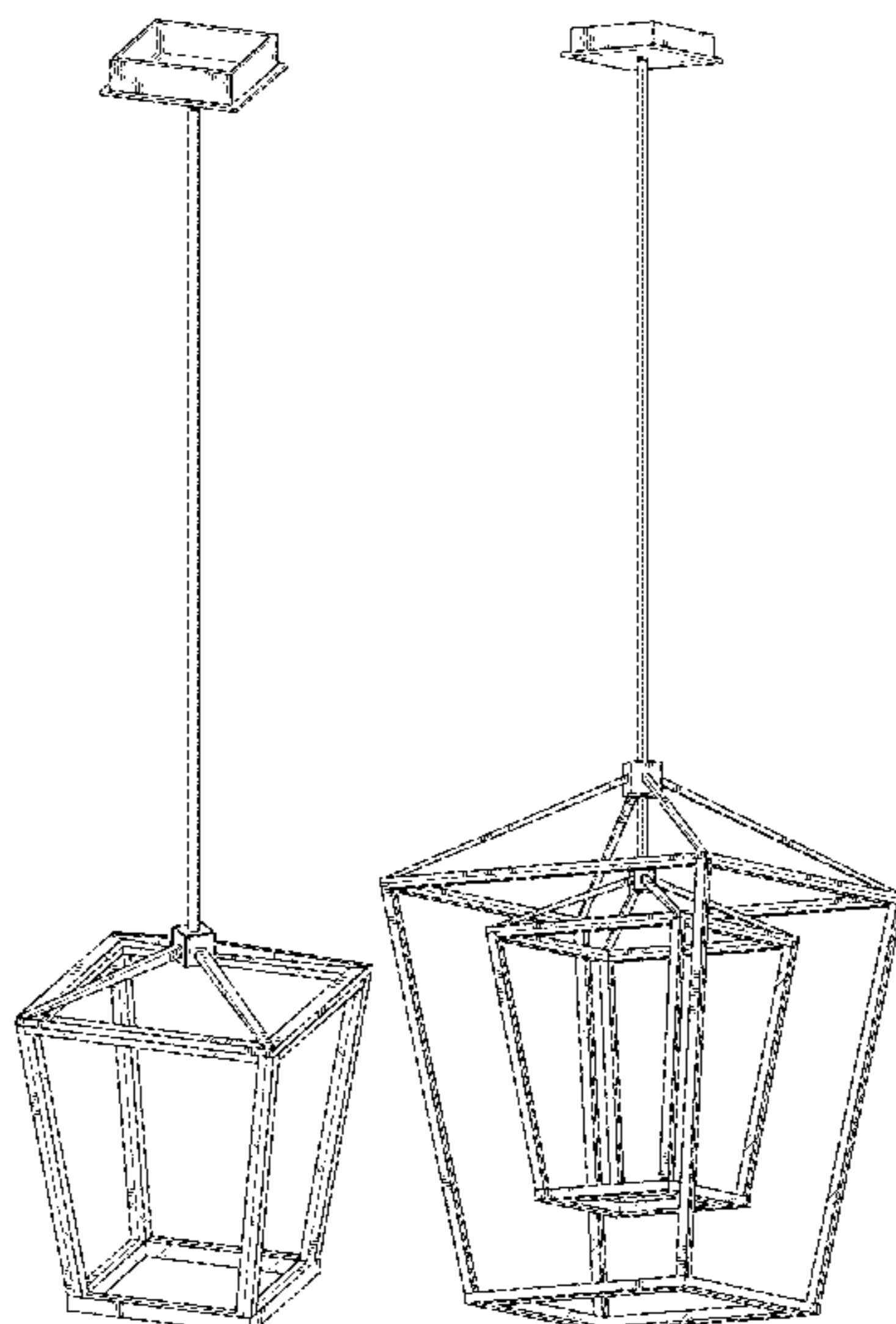
FIG. 11 is a left side elevation view of the hanging light of FIG. 8, the right side elevation being a mirror image;

FIG. 12 is a top plan view of the hanging light of FIG. 8 shown at an enlarged scale;

FIG. 13 is a bottom plan view of the hanging light of FIG. 8 shown at an enlarged scale; and,

FIG. 14 is a bottom, front, right side perspective view of the hanging light of FIG. 8 showing the light strips in an illuminated state, with the hanging support shown broken-away for ease of illustration only.

**1 Claim, 9 Drawing Sheets**



(56)

**References Cited**

## U.S. PATENT DOCUMENTS

D794,861	S	8/2017	Goorsenberg	
D821,024	S *	6/2018	Tomlinson .....	D26/138
D870,950	S *	12/2019	Tomlinson .....	D26/81
D895,192	S *	9/2020	Gong .....	D26/88
D903,179	S *	11/2020	Pulsifer .....	D26/81
D907,835	S *	1/2021	Lee .....	D26/81
2015/0116998	A1 *	4/2015	Feit .....	F21V 29/70 362/235

## OTHER PUBLICATIONS

Fabulis 4-Light Gold Lantern Pendant Light, ASIN: B08P5MM2SG, available at amazon.com Nov. 26, 2020. (Year: 2020).\*

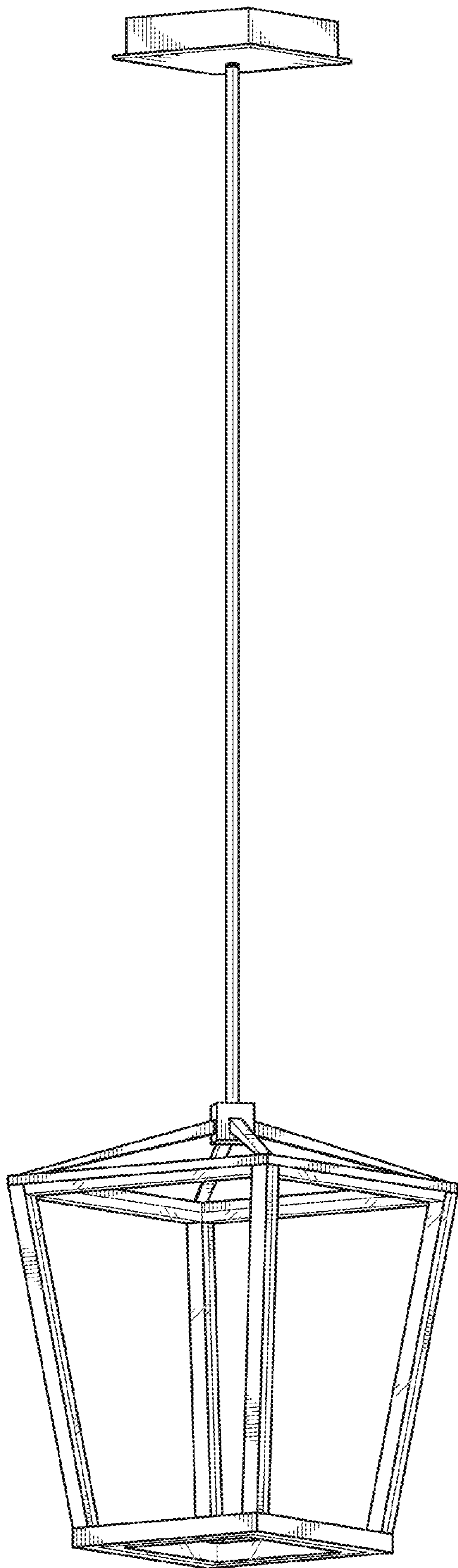
KSANA Gold Chandelier, 4-Light Gold Pendant Light with Adjustable Framework, ASIN: B07YDJH61H, available at amazon.com Sep. 26, 2019. (Year: 2019).\*

CASILVON Pendant Light for Kitchen Island, ASIN: B08L6DPB1J, available at amazon.com Oct. 14, 2020. (Year: 2020).\*

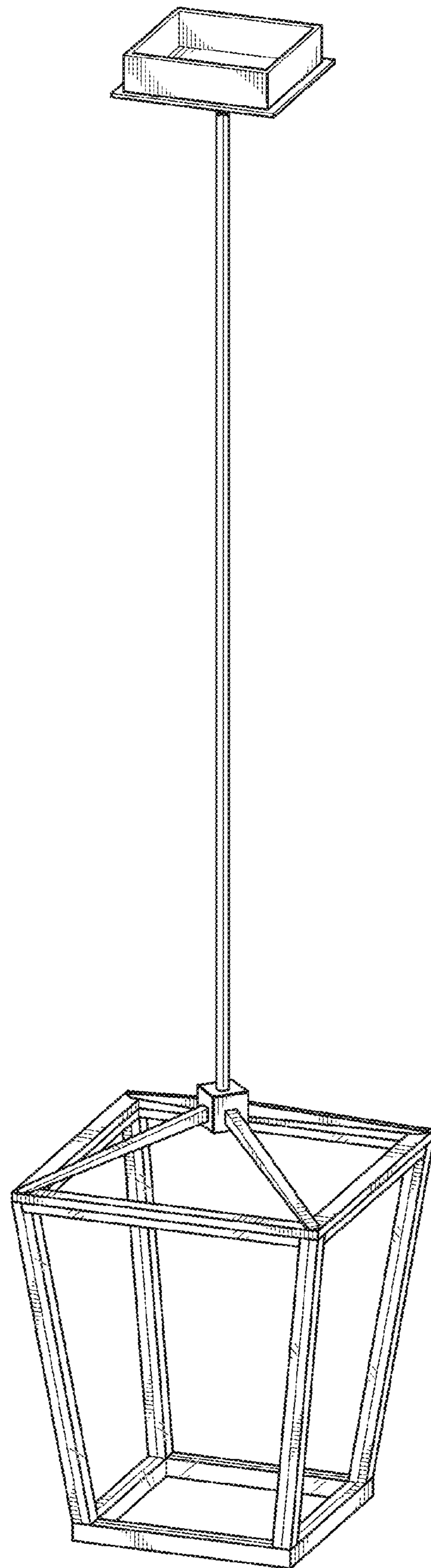
Circa Lighting, "Darlana Small Lantern", URL [<https://www.circalighting.com/darlana-small-lantern-chc2164/?sku=CHC%202164GI&gclid=>

Cj0KCQjwhb36BRCfARIsAKcXh6FKvYI3AZJqELeNB2g5rPBXI-17owM7FIRBSvvVcRipFglJA1C0MObaAphcEALW\_wcB], last accessed on Sep. 2, 2020.

\* cited by examiner



*FIG. 1*



*FIG. 2*

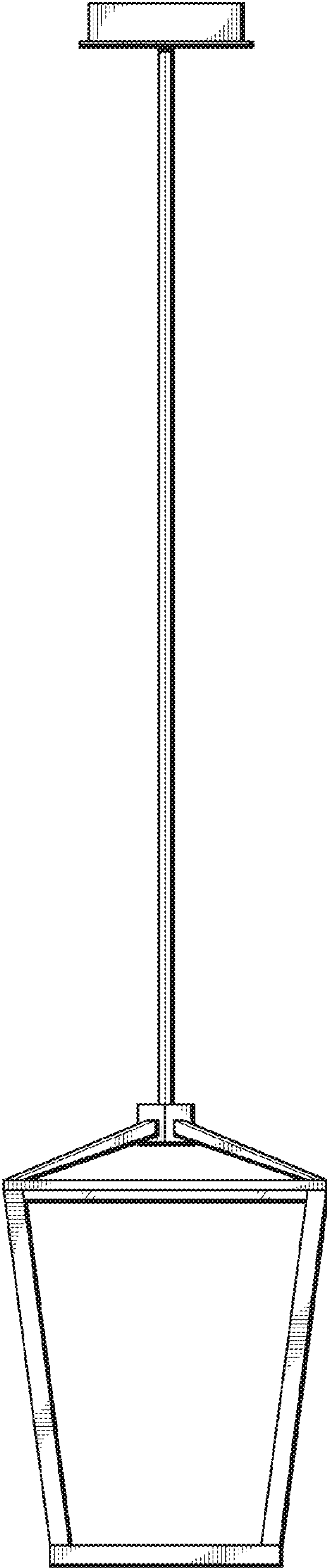


FIG. 3

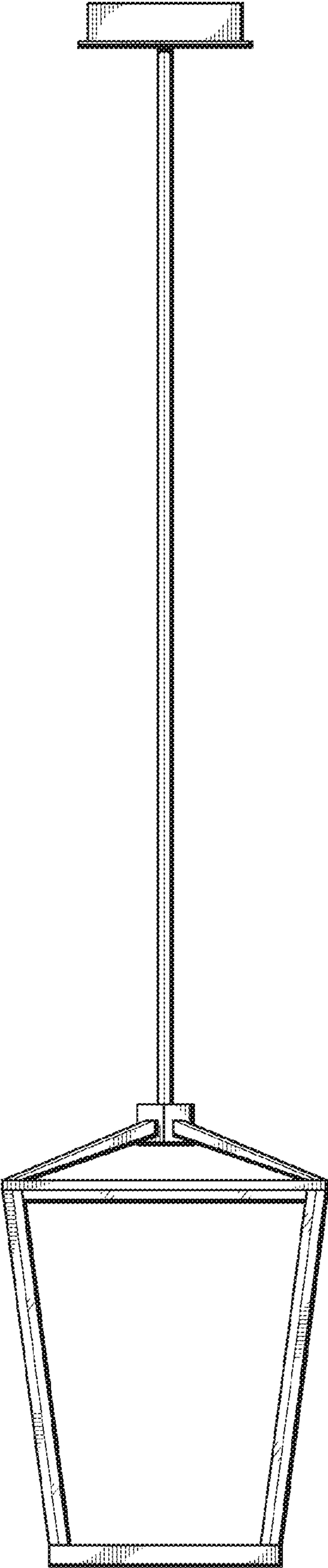


FIG. 4



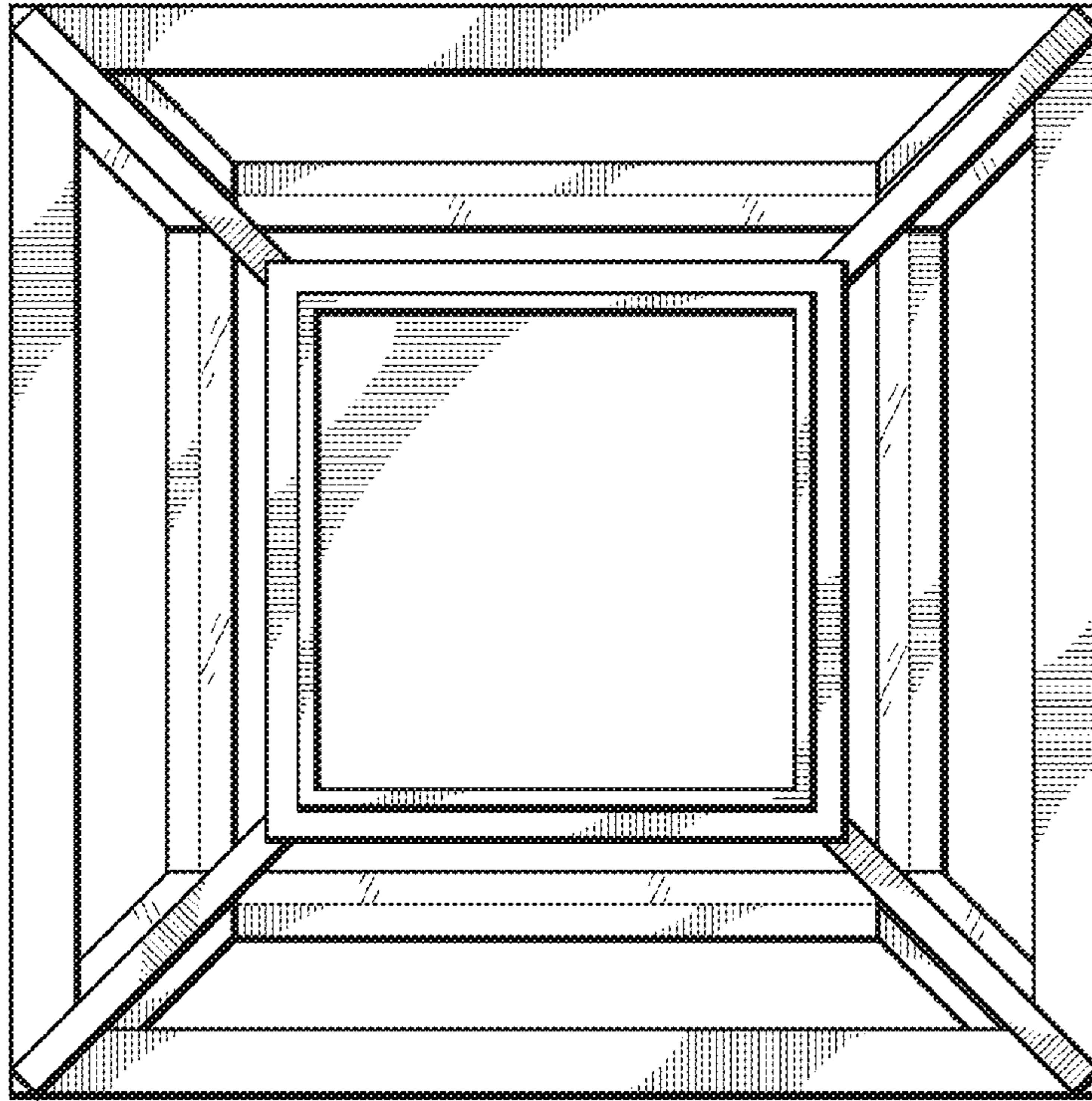


FIG. 5

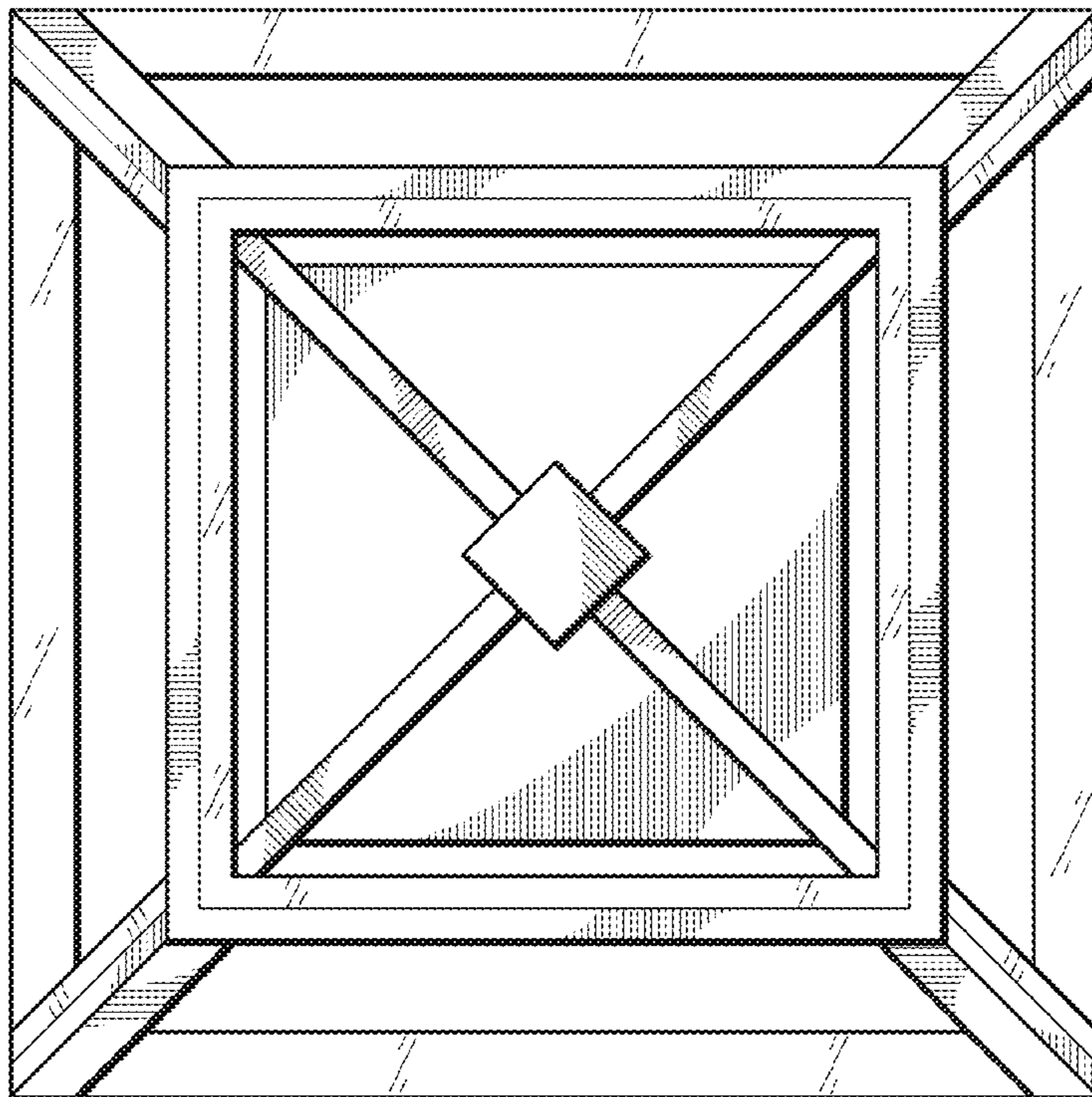


FIG. 6

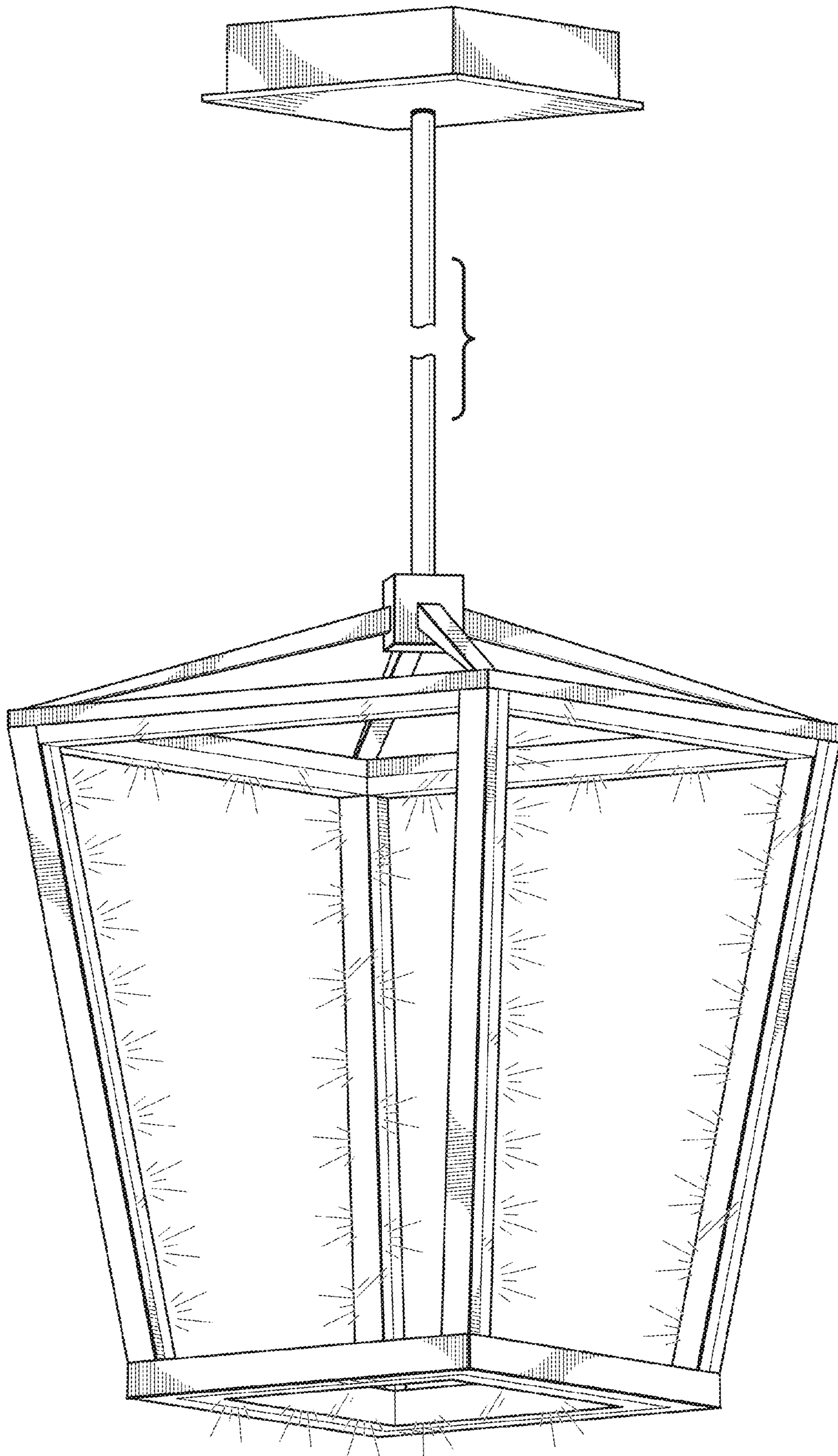


FIG. 7

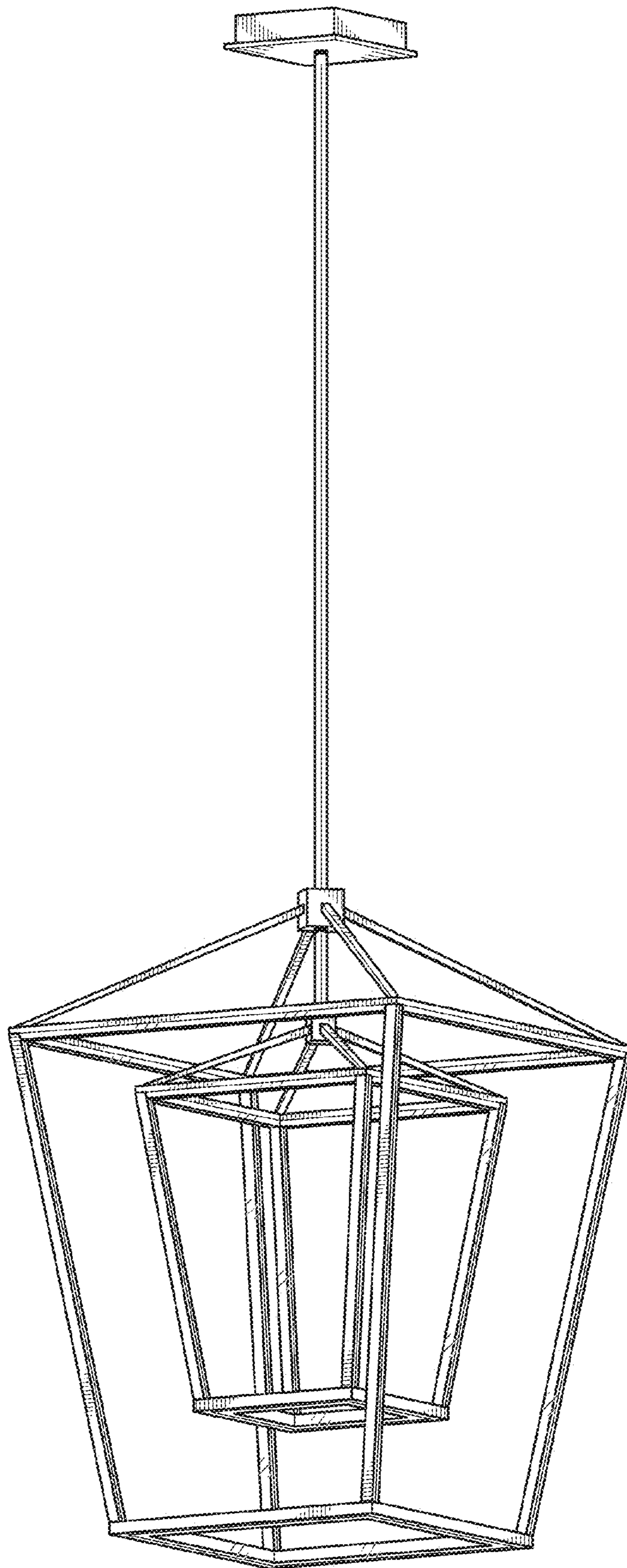


FIG. 8



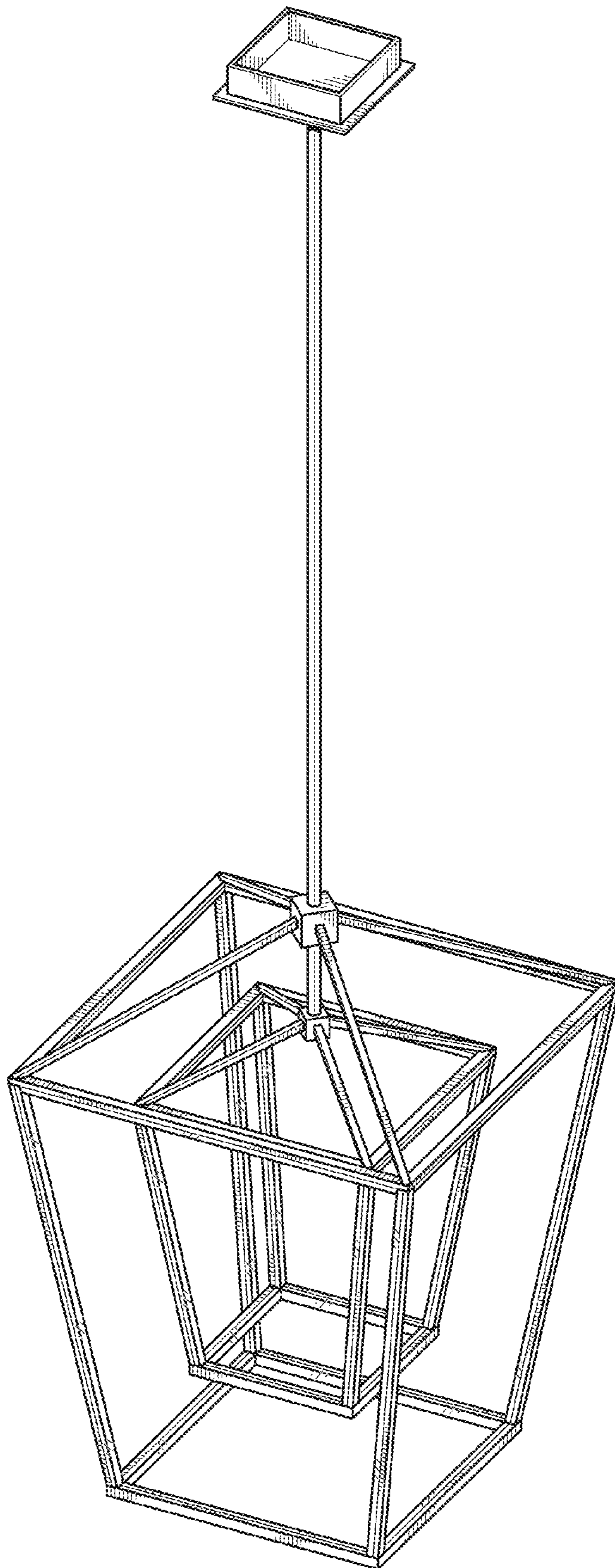


FIG. 9



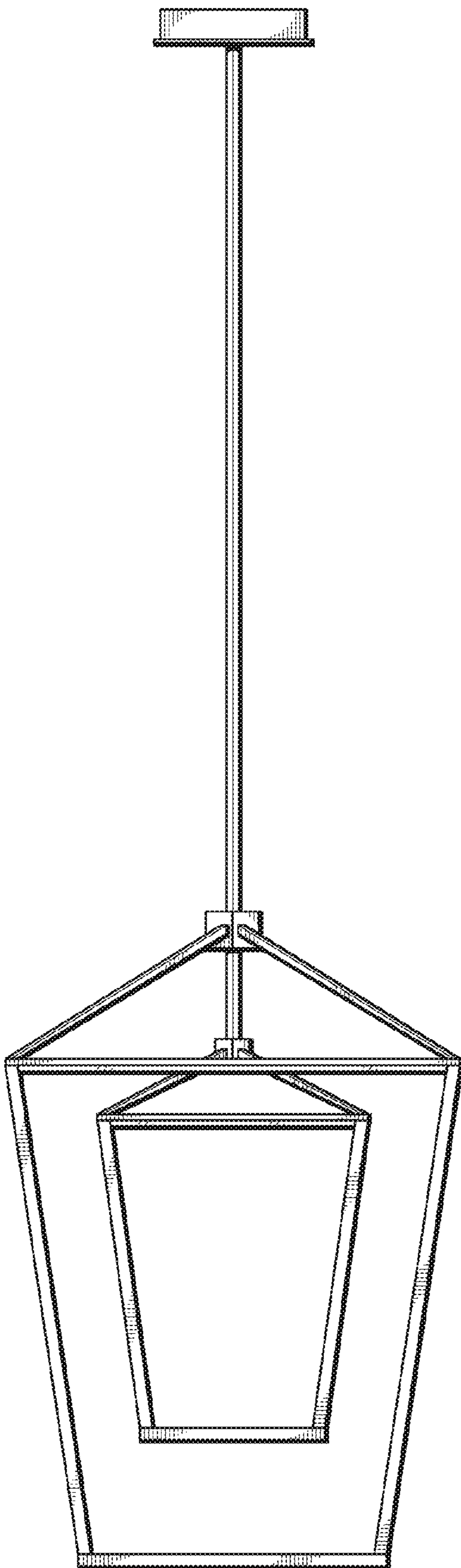


FIG. 10

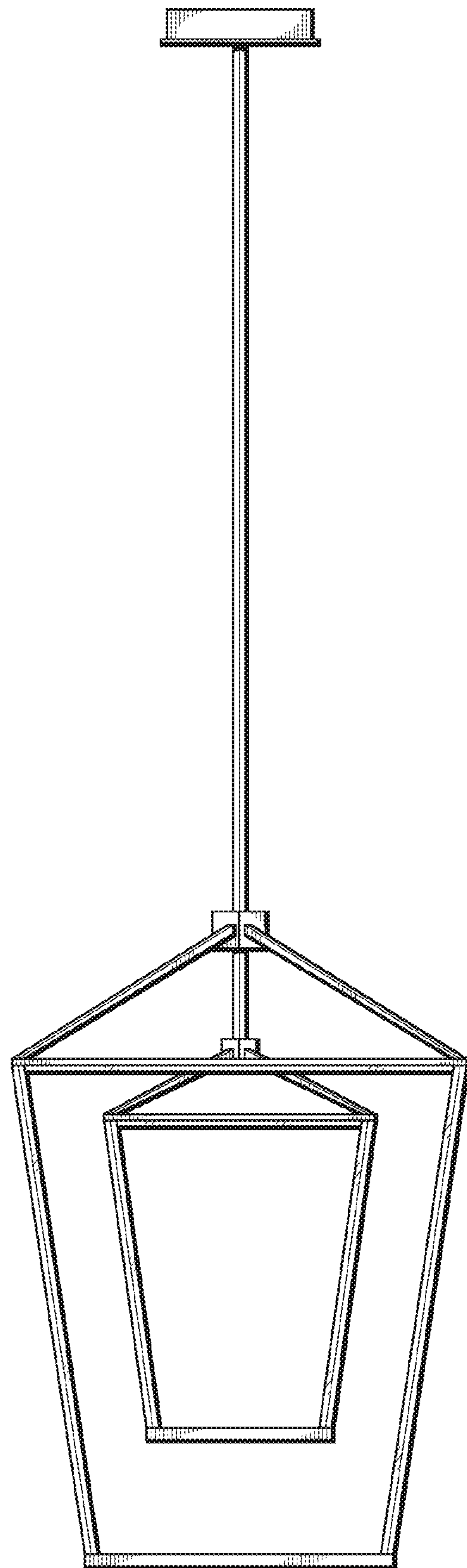


FIG. 11

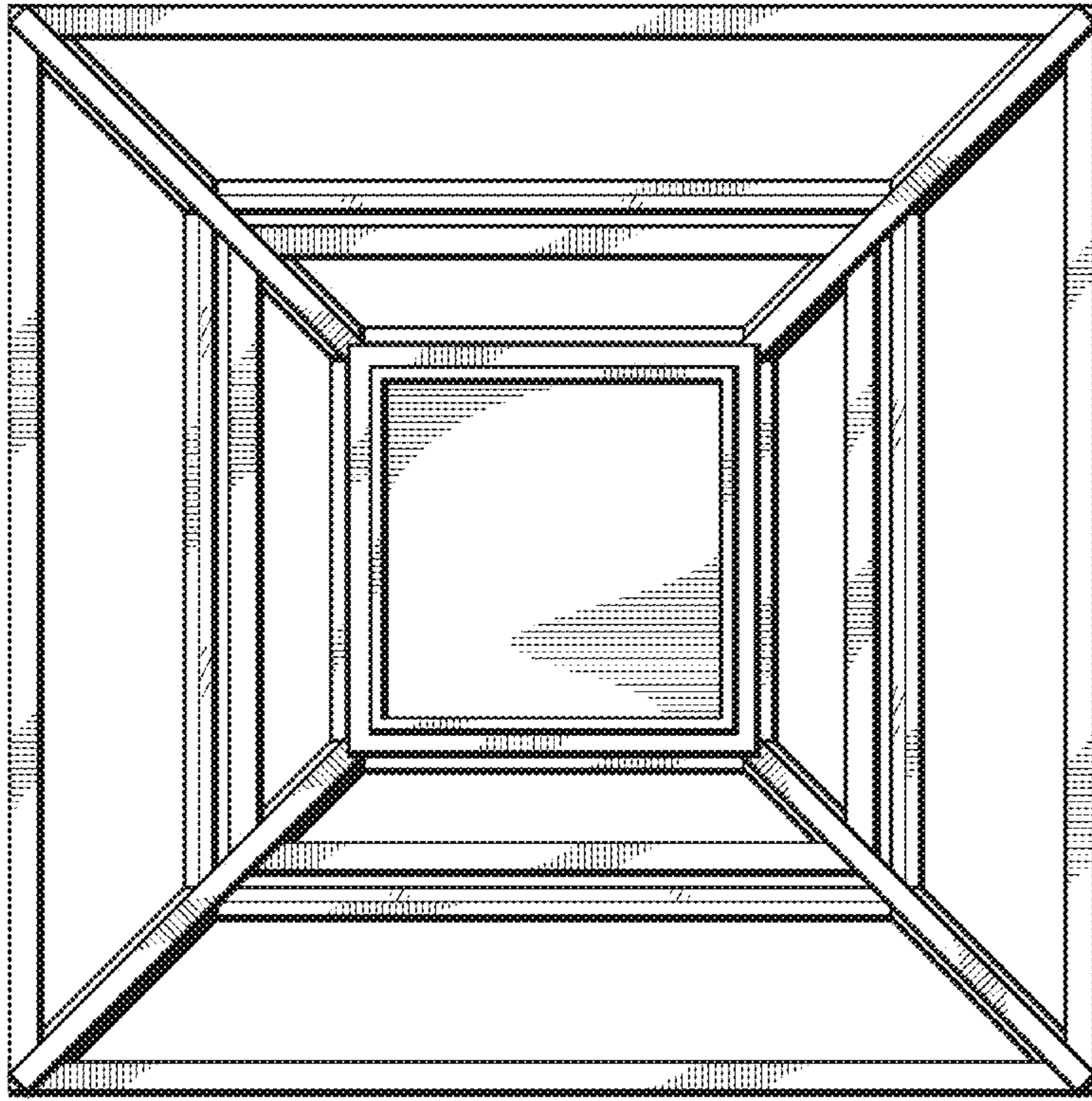


FIG. 12

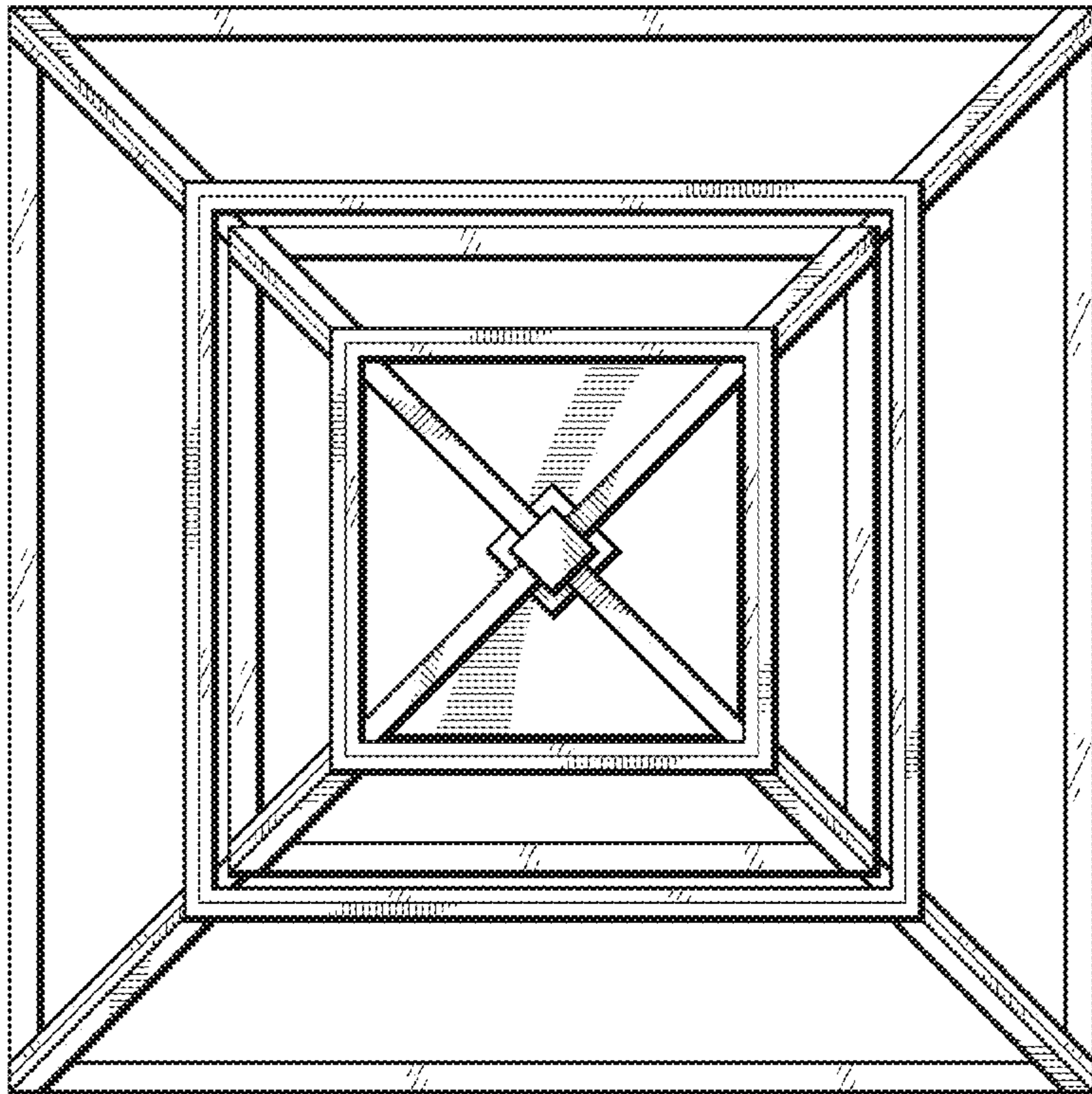


FIG. 13



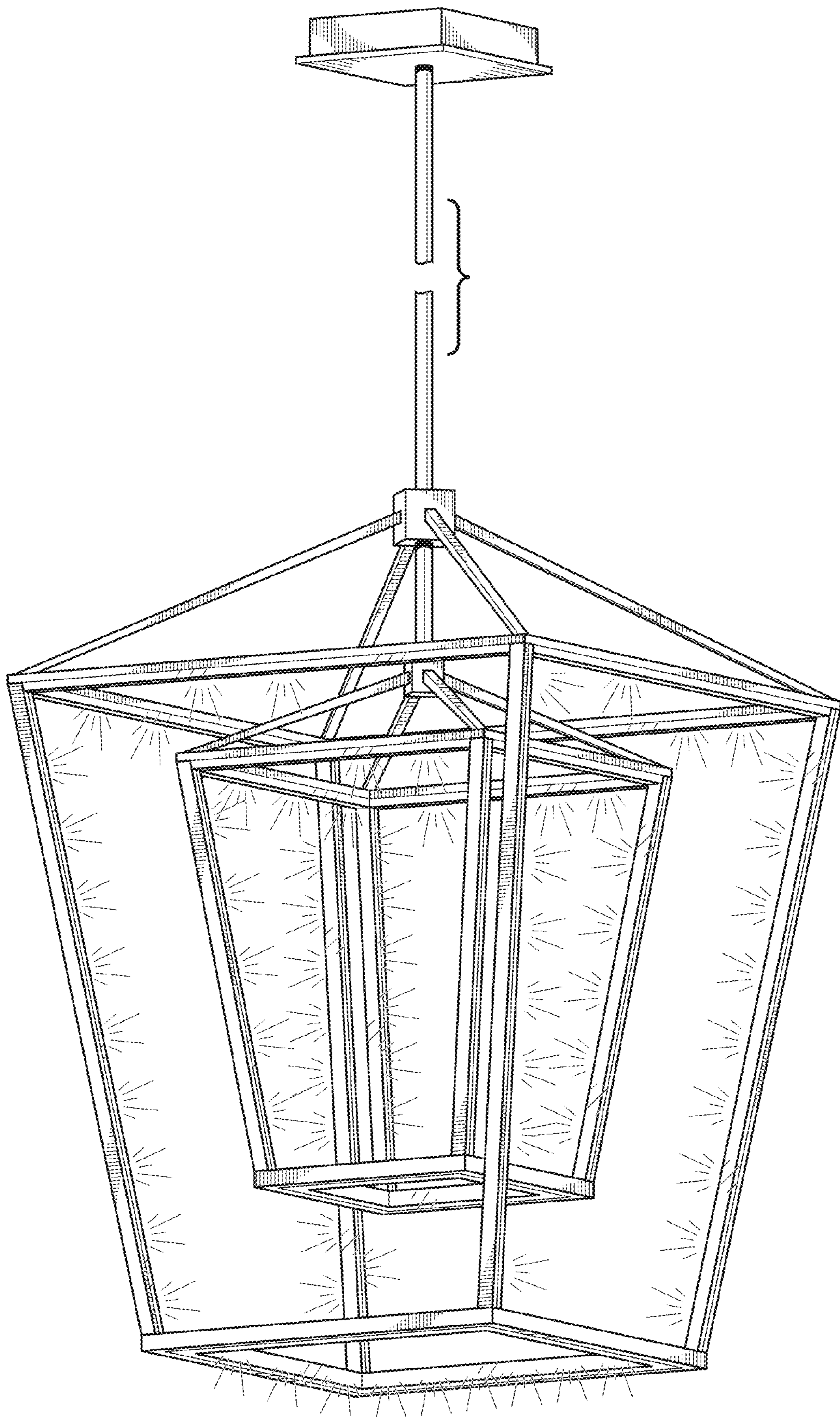


FIG. 14