



US00D938092S

(12) **United States Design Patent** (10) **Patent No.:** **US D938,092 S**
Amato et al. (45) **Date of Patent:** **** Dec. 7, 2021**

(54) **LIGHTING FIXTURE**

(71) Applicant: **The Urban Electric Company**, North Charleston, SC (US)

(72) Inventors: **Michael Amato**, London (GB); **David Dawson**, Charleston, SC (US); **Jonathan Charpia**, Summerville, SC (US); **Joeangel Casanova**, Brooklyn, NY (US); **Brianna Magagnoli**, North Charleston, SC (US); **Janis Golubeckis**, Mount Pleasant, SC (US)

(73) Assignee: **The Urban Electric Company**, North Charleston, SC (US)

(**) Term: **15 Years**

(21) Appl. No.: **29/708,722**

(22) Filed: **Oct. 9, 2019**

(51) **LOC (13) Cl.** **26-05**

(52) **U.S. Cl.**
USPC **D26/85**

(58) **Field of Classification Search**
USPC D10/111–115; D26/24, 26, 34, 44, 51, D26/58, 60, 61, 63, 67, 68, 71, 72, 74, D26/75, 76, 78, 80–89, 92, 93, 102, 104, D26/106, 108, 110, 113, 117, 118, 119, D26/120, 121, 135, 137, 141, 142, 148
CPC F21S 8/00; F21S 8/02; F21S 8/03; F21S 8/033; F21S 8/032; F21S 8/036; F21S 8/04; F21S 8/043; F21S 8/08; F21S 8/081; F21S 8/086; F21S 8/088; F21S 8/06; F21S 8/061; F21S 8/063; F21S 8/065; F21S 10/005; F21S 6/002; F21S 6/005; F21S 6/006

See application file for complete search history.

(56) **References Cited**

U.S. PATENT DOCUMENTS

D160,809 S * 11/1950 Schear D26/85
D185,974 S * 8/1959 Rambusch D26/85

D558,381 S * 12/2007 Horn D26/85
D564,693 S * 3/2008 Ziliani D26/85
D609,388 S * 2/2010 Sabernig D26/85
D688,413 S * 8/2013 Tomlinson D26/129
D754,905 S * 4/2016 Colombo D26/85
D821,628 S * 6/2018 Amato D26/87
D845,535 S * 4/2019 Van Duysen D26/87

(Continued)

OTHER PUBLICATIONS

Castleton 18_H Brushed Nickel (available online) Retrieved from the internet Sep. 28, 2021 from URL: https://www.lampsplus.com/products/castleton-18-inchh-brushed-nickel-and-cylinder-glass-wall-sconce_98j98.html.*

(Continued)

Primary Examiner — Richard Kearney

(74) *Attorney, Agent, or Firm* — Haynsworth Sinkler Boyd, P.A.

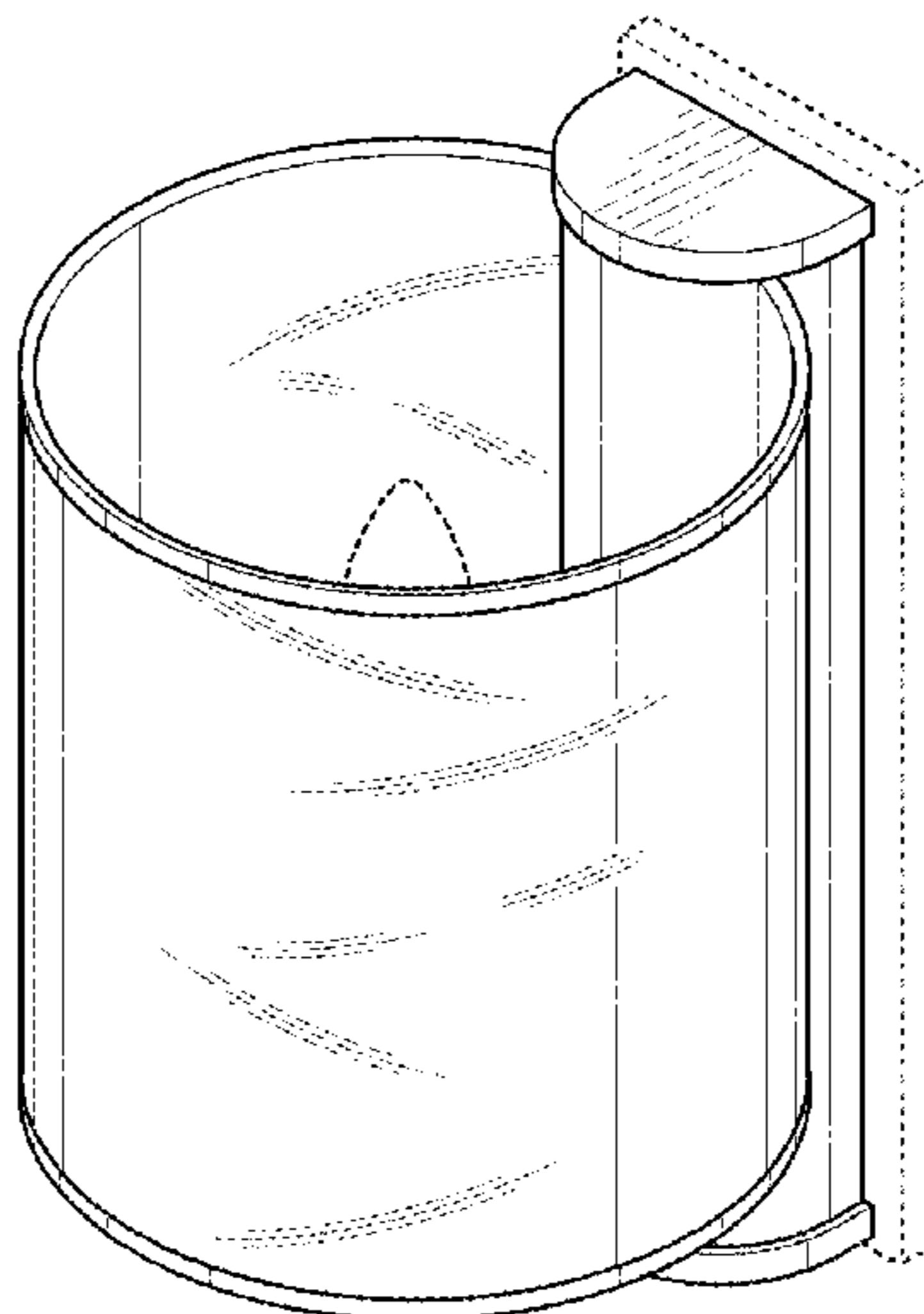
(57) **CLAIM**

The ornamental design for a lighting fixture, as shown and described.

DESCRIPTION

FIG. 1 is a front perspective view of a lighting fixture depicting a new design;
FIG. 2 is a back perspective view thereof;
FIG. 3 is a front elevational view thereof;
FIG. 4 is a back elevational view thereof;
FIG. 5 is a right elevational view thereof;
FIG. 6 is a left elevational view thereof;
FIG. 7 is a top plan view thereof; and,
FIG. 8 is a bottom plan view thereof.
The horizontal broken lines extending out beyond the perimeter of the fixture in FIGS. 5-8 are intended to demonstrate environment only and form no part of the claimed design. The remaining broken line disclosures in the views represent portions of the lighting fixture that form no part of the claimed design.

1 Claim, 8 Drawing Sheets



(56)

References Cited

U.S. PATENT DOCUMENTS

D866,841 S * 11/2019 Vasylyev D26/85
D866,843 S * 11/2019 Benghozi D26/87
D907,275 S * 1/2021 Chen D26/86
2020/0124254 A1 * 4/2020 Cox F21S 8/036

OTHER PUBLICATIONS

Besa_Pogo_ (available online) Retrieved from the internet Sep. 28, 2021 from URL: https://www.lampsplus.com/products/besa-pogo-5-and-one-half-inch-high-satin-nickel-wall-sconce__15a23.html.*

Contemporary Black Paint Finish Base Clear Glass Shade Sconce (available online) Retrieved from the internet Sep. 28, 2021 from URL: https://www.amazon.com/Contemporary-Lamp%E2%8C%84Wall-Lighting-Fixture-Bathroom/dp/B07YC3JV6N/refsr_1_54?dchild=1&keywords=wall+sconce&qid=1632847933&sr=8-54.*

Mathers, (available online) Retrieved from the internet Sep. 28, 2021 from URL: <https://urbanelectric.com/wall-lighting/mathers>.*

* cited by examiner

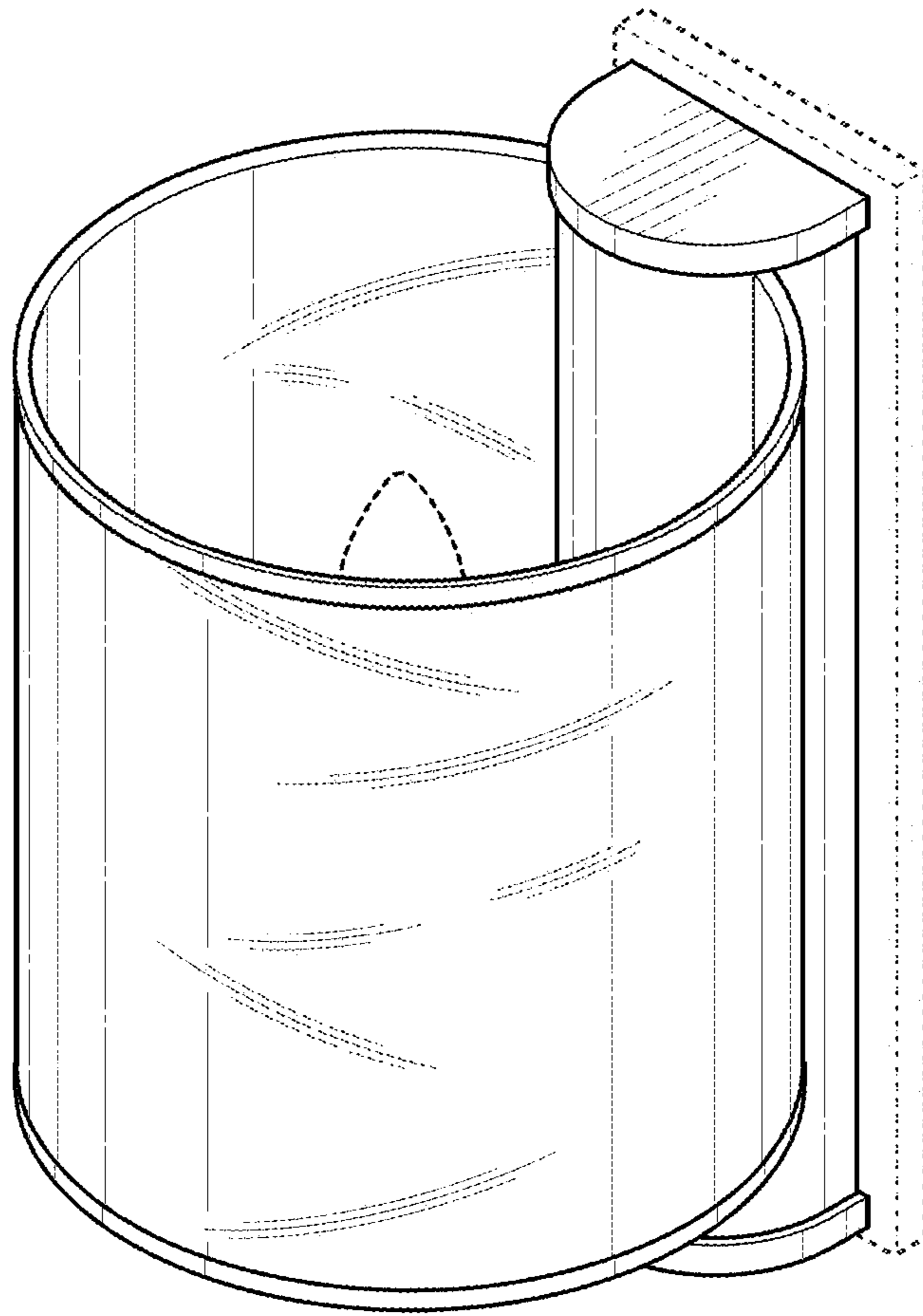


FIG. 1

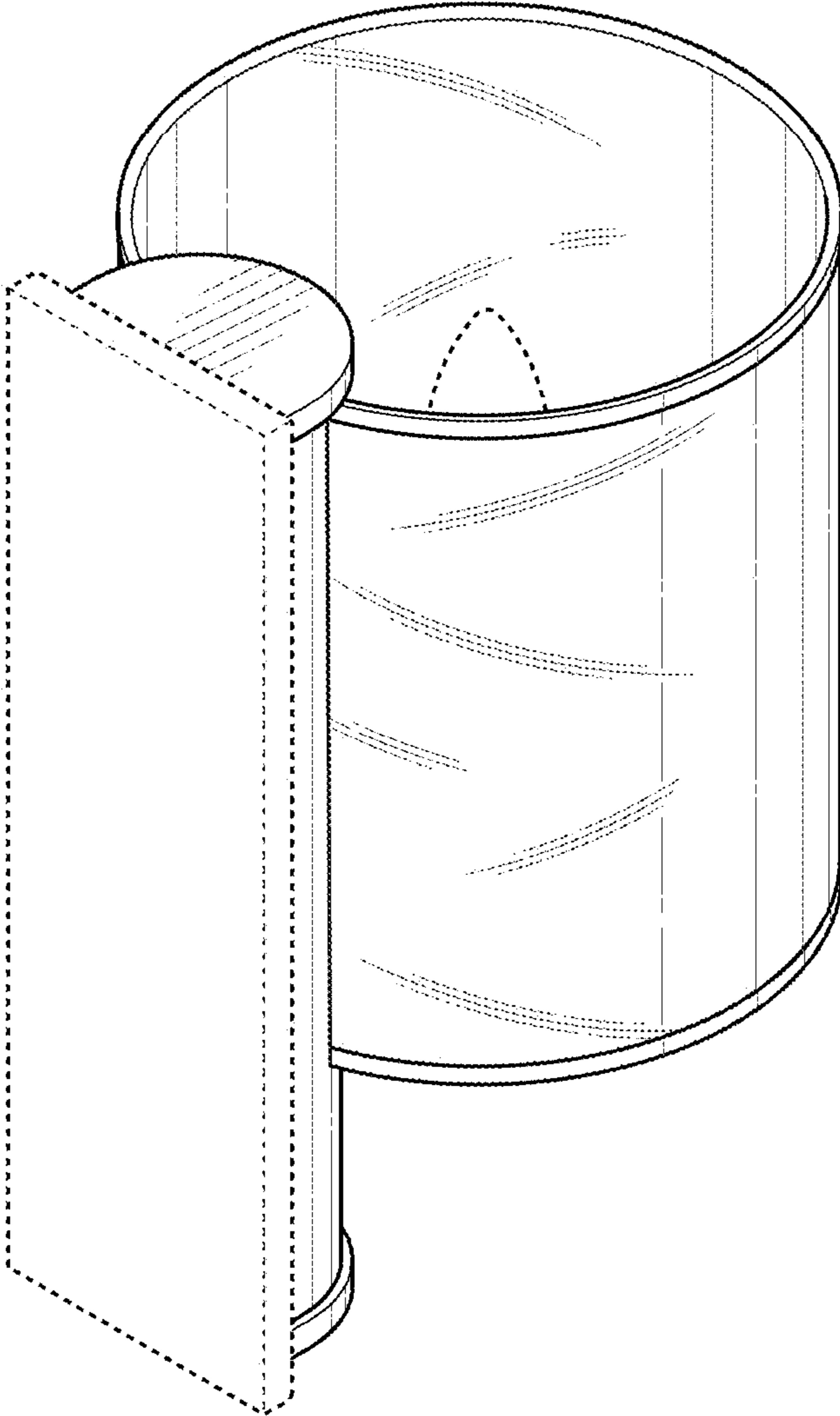


FIG. 2

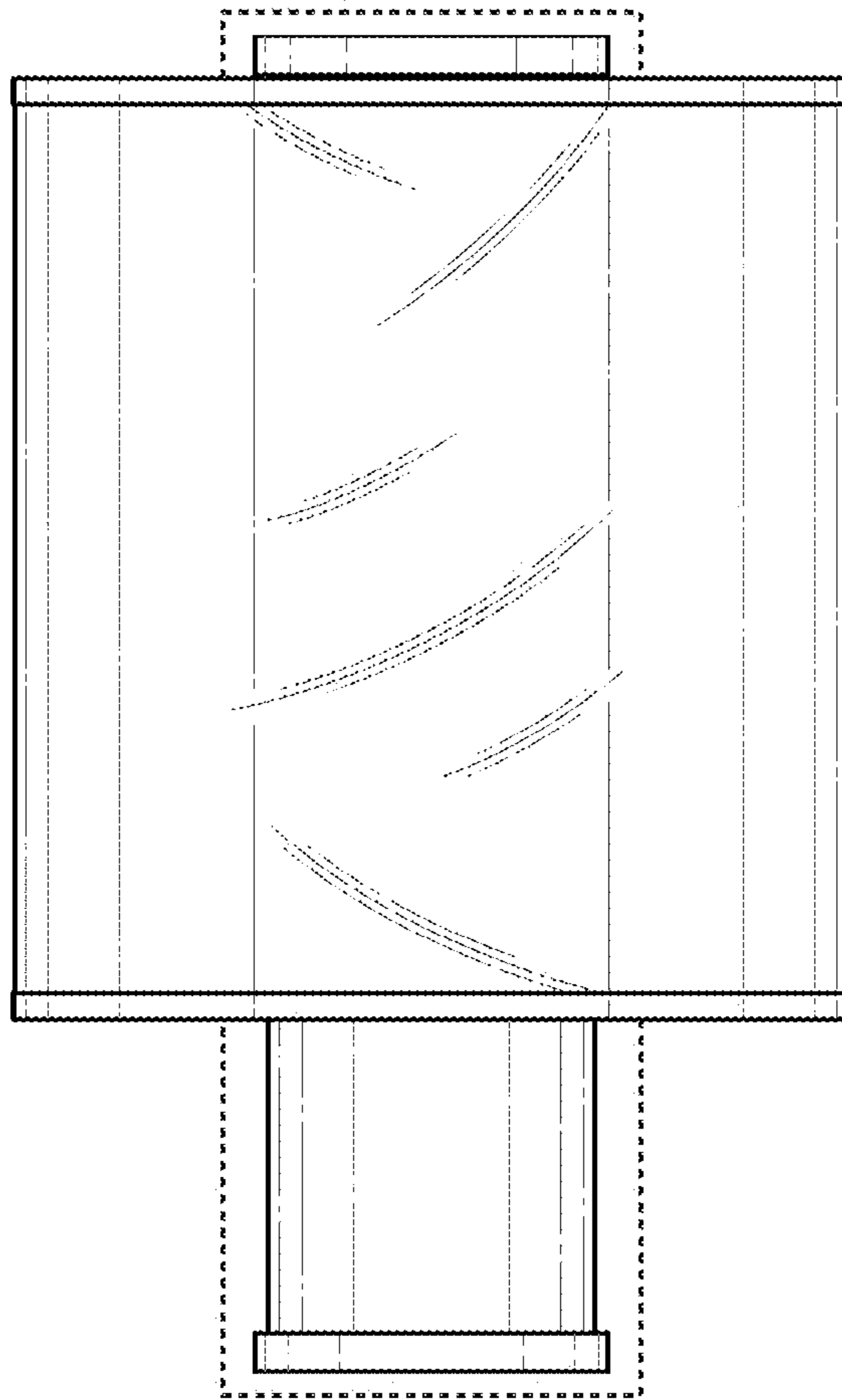


FIG. 3

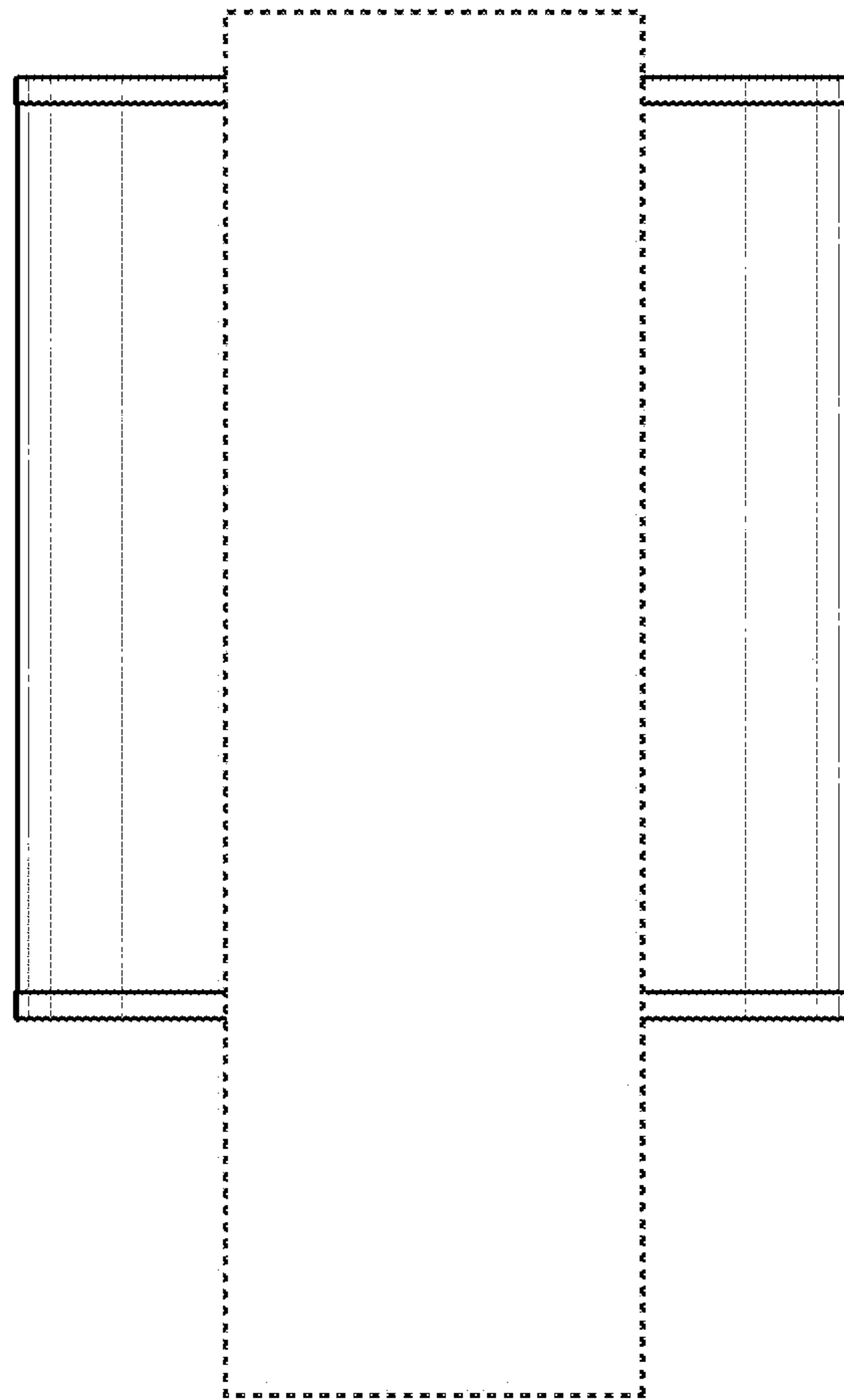


FIG. 4

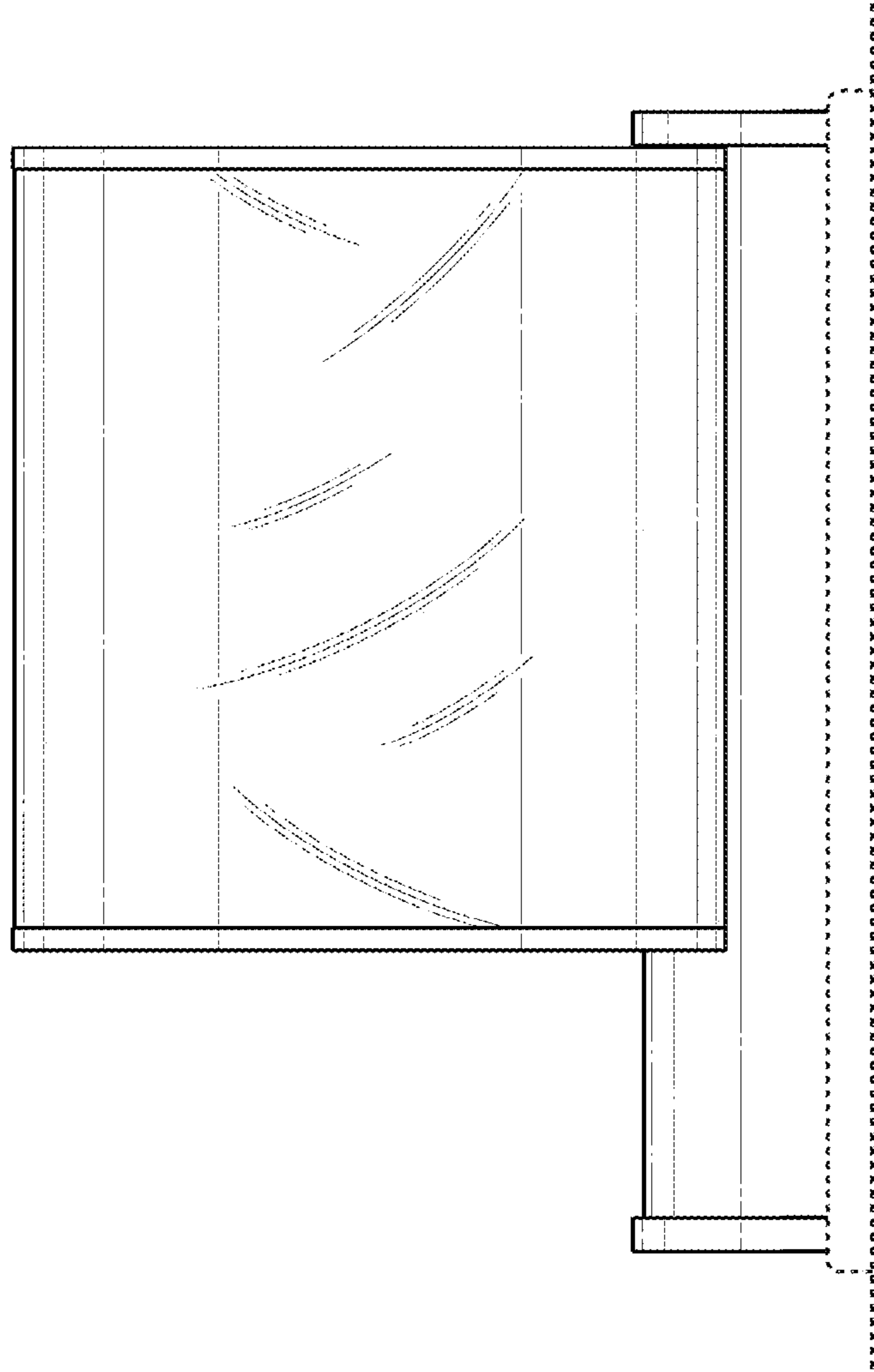


FIG. 5

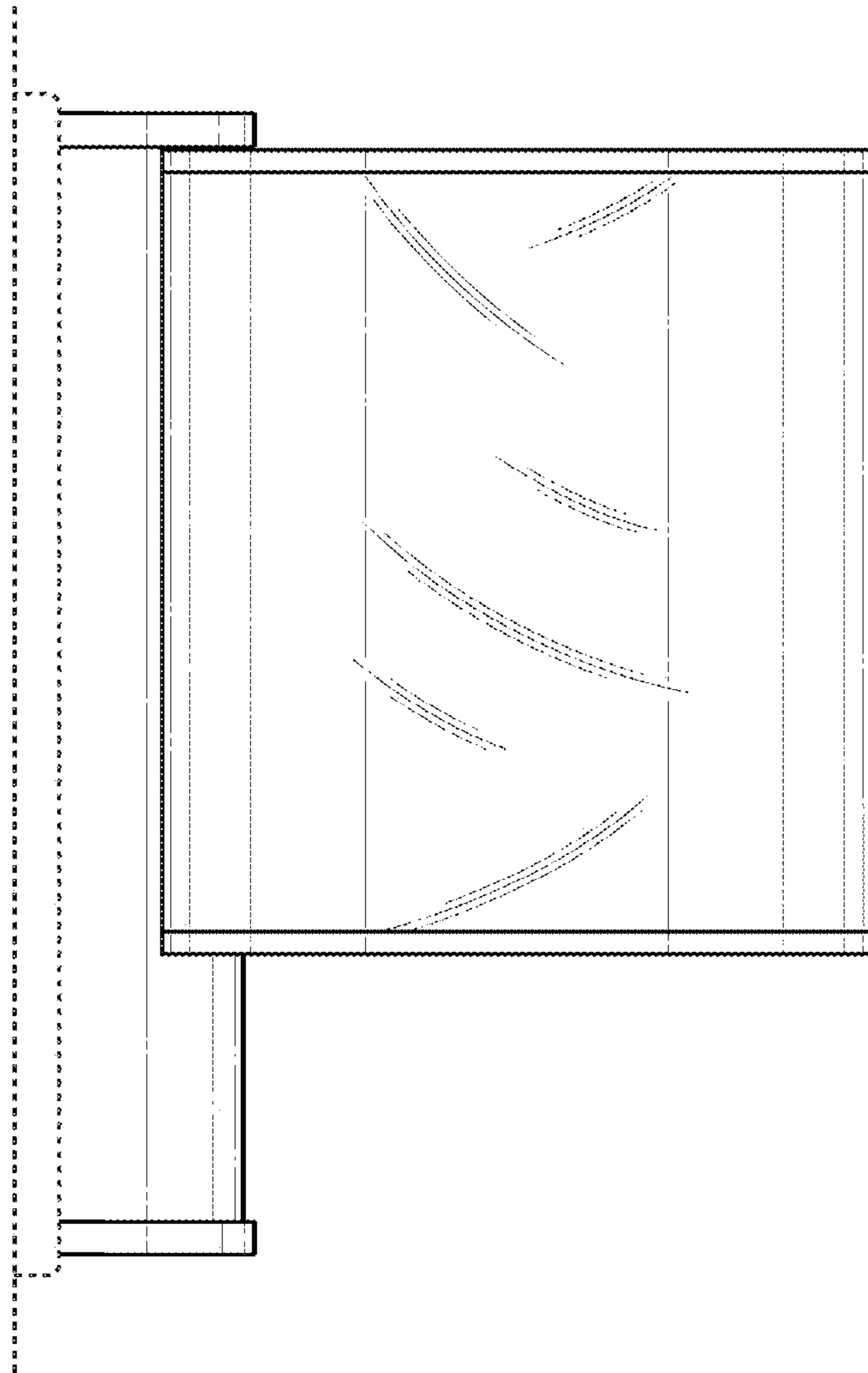


FIG. 6

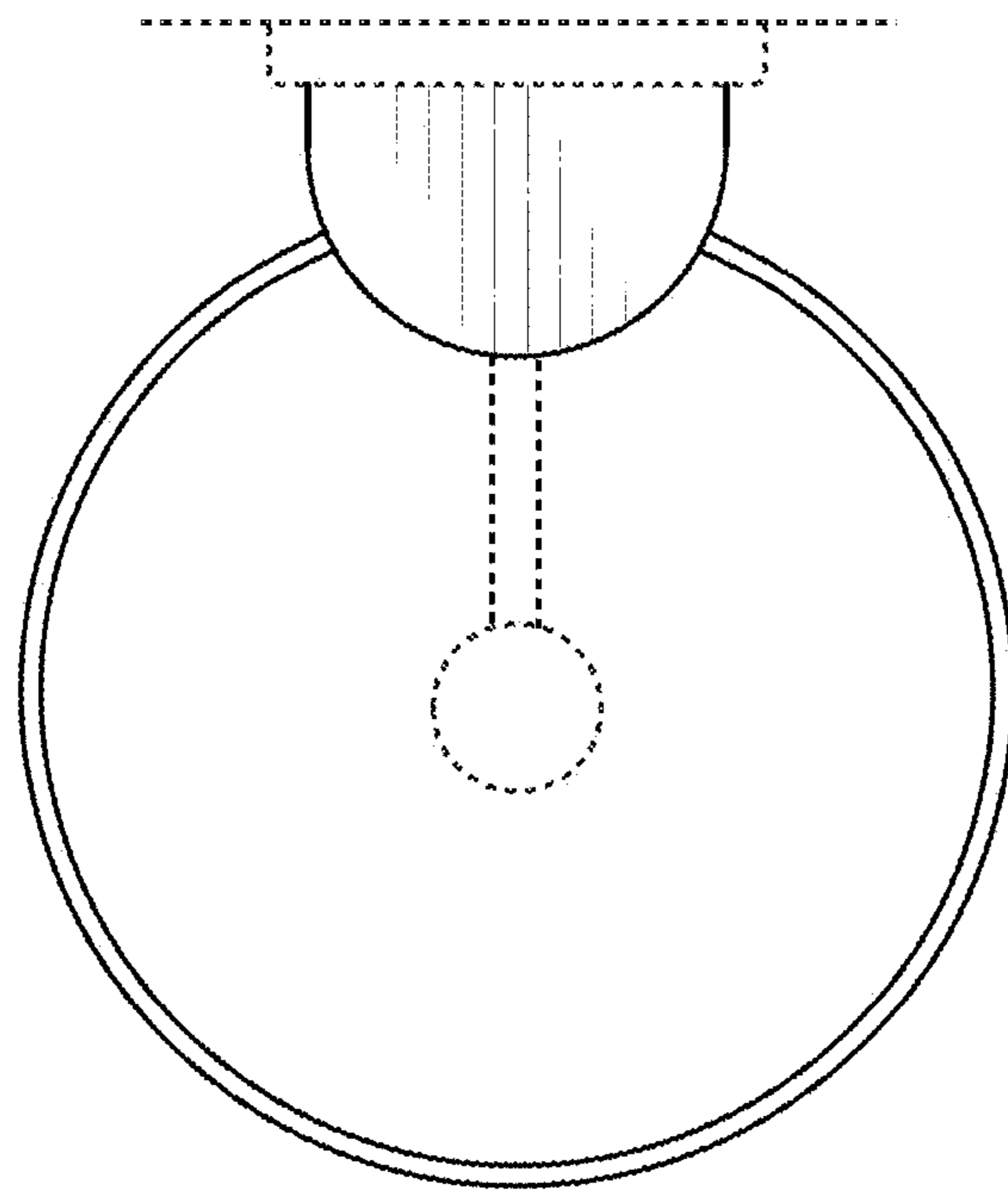


FIG. 7

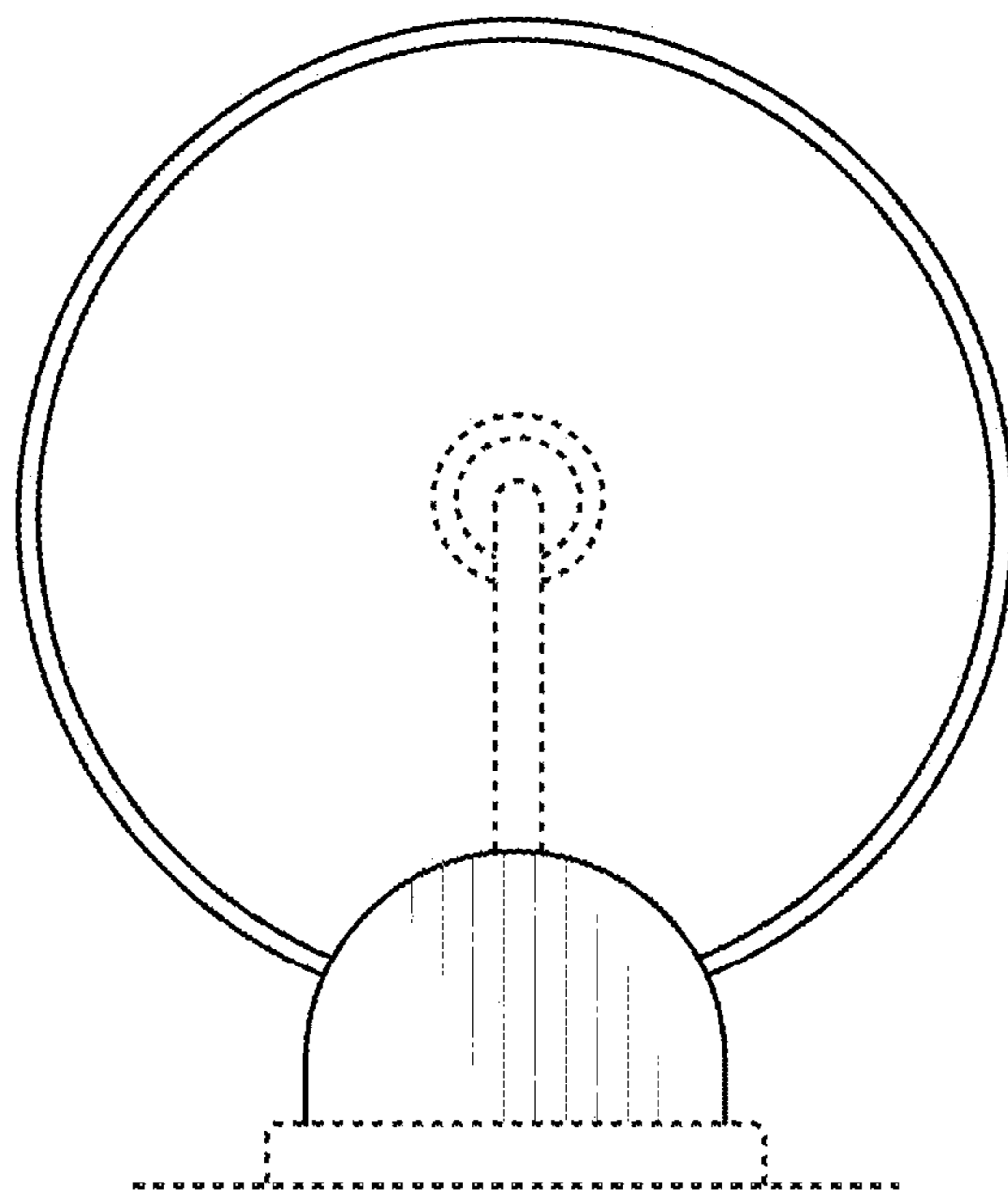


FIG. 8