



US00D938091S

(12) **United States Design Patent**  
**Fang**

(10) **Patent No.:** **US D938,091 S**

(45) **Date of Patent:** **\*\* Dec. 7, 2021**

(54) **SEMI-CIRCULAR LIGHT BAR**

(71) Applicant: **Shusheng Fang**, Shenzhen (CN)

(72) Inventor: **Shusheng Fang**, Shenzhen (CN)

(\*\*) Term: **15 Years**

(21) Appl. No.: **29/758,047**

(22) Filed: **Nov. 12, 2020**

(51) **LOC (13) Cl.** ..... **26-04**

(52) **U.S. Cl.**  
USPC ..... **D26/76**

(58) **Field of Classification Search**  
USPC ..... D26/72, 74, 76, 78-83, 85, 86, 88, 90,  
D26/93, 111, 113, 118, 119, 120, 121,  
D26/122, 138, 139, 140, 141, 142, 152  
CPC ..... F21S 2/00; F21S 4/00; F21S 4/003; F21S  
4/005; F21S 4/006; F21S 4/007; F21S  
4/008; F21S 6/00; F21S 8/00; F21S  
8/024; F21S 8/026; F21S 8/031; F21S  
8/033; F21S 8/035-8/037; F21S 8/04;  
F21S 8/043; F21S 8/063  
See application file for complete search history.

(56) **References Cited**

**U.S. PATENT DOCUMENTS**

D345,315 S	3/1994	Green et al.	
D589,199 S *	3/2009	Pedersen	D26/76
D617,227 S	6/2010	Cai	
D643,960 S *	8/2011	Waldmann	D26/74
D653,783 S *	2/2012	Biro	D26/31
D659,880 S *	5/2012	Maxik	D26/80

D728,140 S *	4/2015	Lay	D26/76
D749,253 S *	2/2016	Marroquin	D26/31
D773,108 S *	11/2016	Anderson	D26/118
D775,393 S *	12/2016	Adams	D26/63
D807,550 S *	1/2018	Tong	D26/35
D819,863 S *	6/2018	Deng	D26/76
D821,011 S *	6/2018	Yan	D26/63
D823,152 S *	7/2018	Deyaf	D10/114.4
D836,231 S *	12/2018	Swai	D26/63
D850,698 S *	6/2019	Prats	D26/76
D862,766 S *	10/2019	Kim	D26/76
D875,987 S *	2/2020	Ling	D26/75
D878,658 S *	3/2020	Cercone	D26/76

\* cited by examiner

*Primary Examiner* — Natasha Vujcic

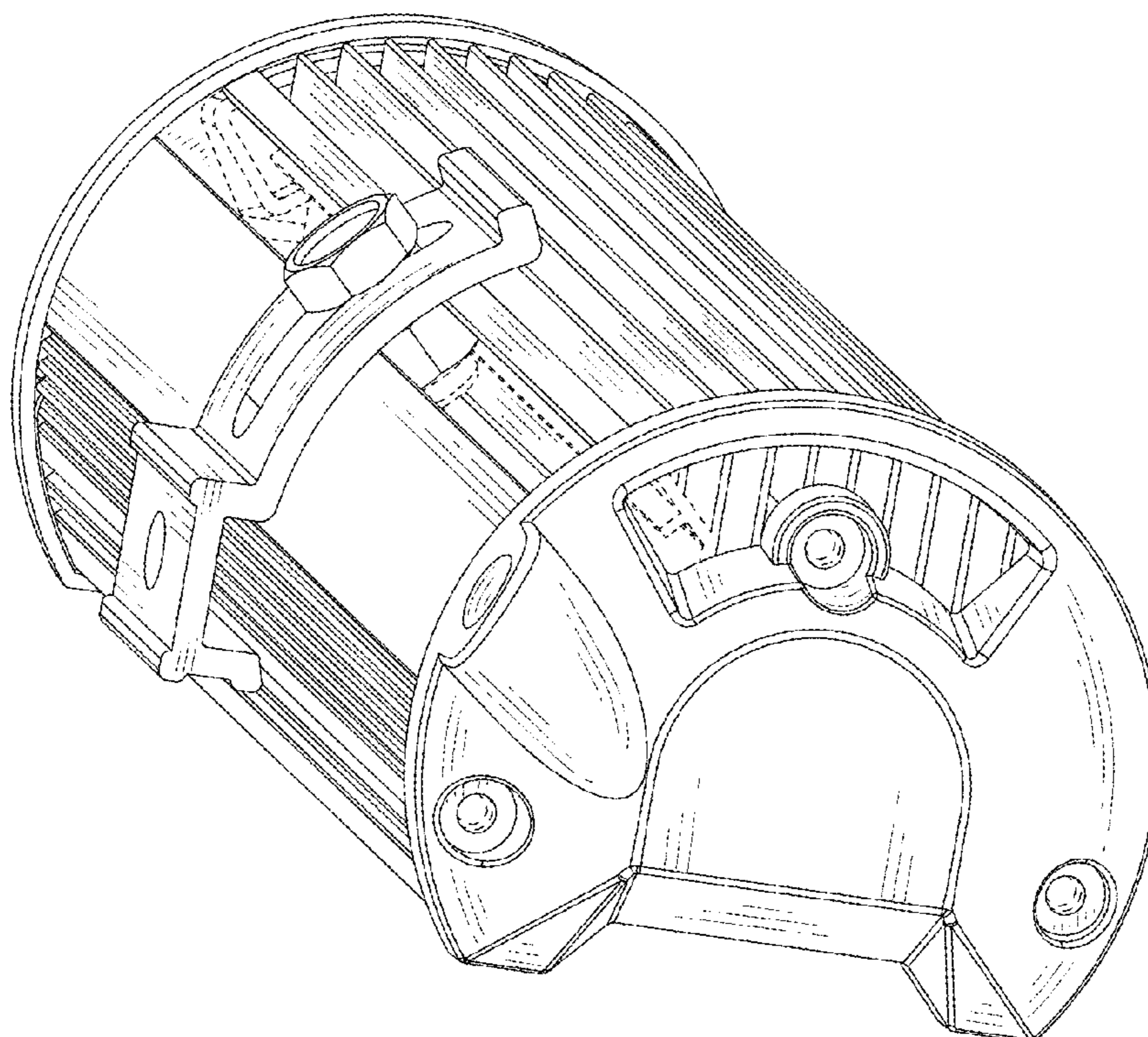
(57) **CLAIM**

The ornamental design for a semi-circular light bar, as shown and described.

**DESCRIPTION**

FIG. 1 is a perspective view of a semi-circular light bar showing my new design;  
FIG. 2 is a front view thereof;  
FIG. 3 is a rear view thereof;  
FIG. 4 is a left side view thereof;  
FIG. 5 is a right side view thereof;  
FIG. 6 is a top plan view thereof;  
FIG. 7 is a bottom plan view thereof; and,  
FIG. 8 is another perspective view thereof.  
The evenly-broken lines where present illustrate portions of the semi-circular light bar that form no part of the claimed design.

**1 Claim, 8 Drawing Sheets**



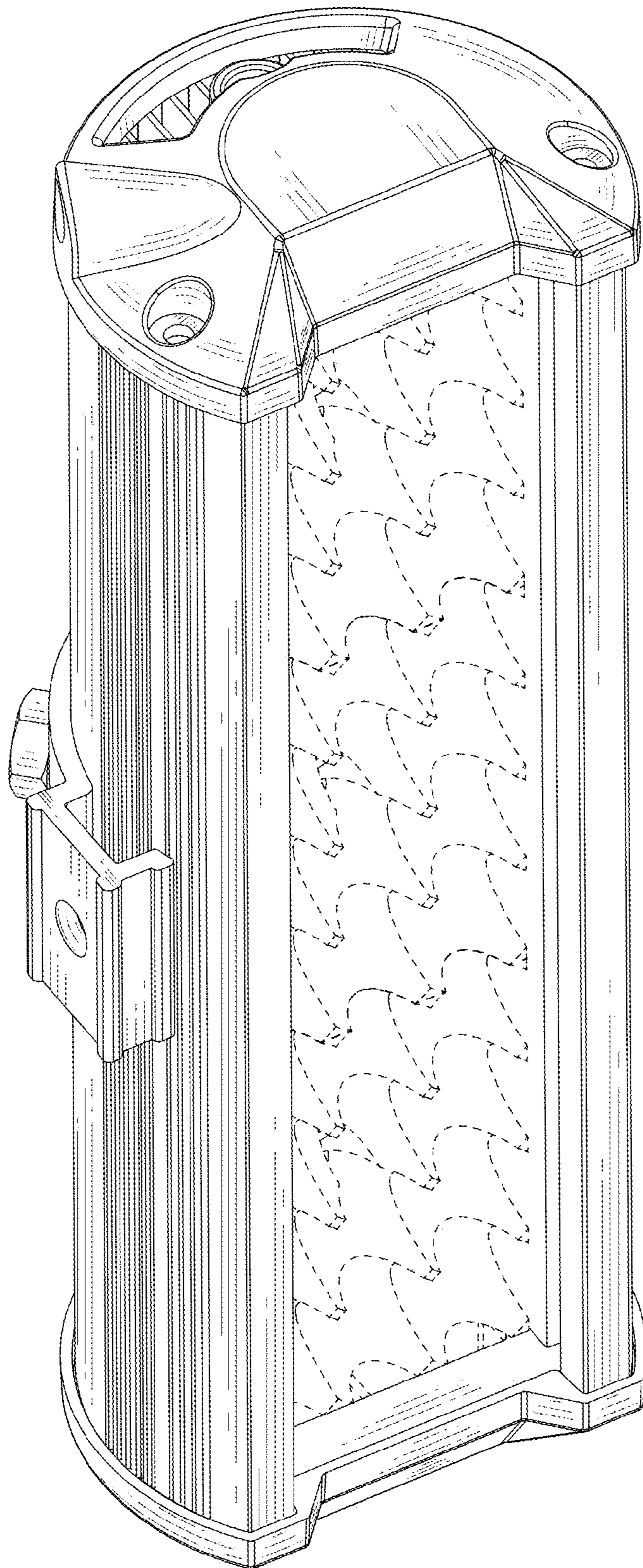


FIG.1



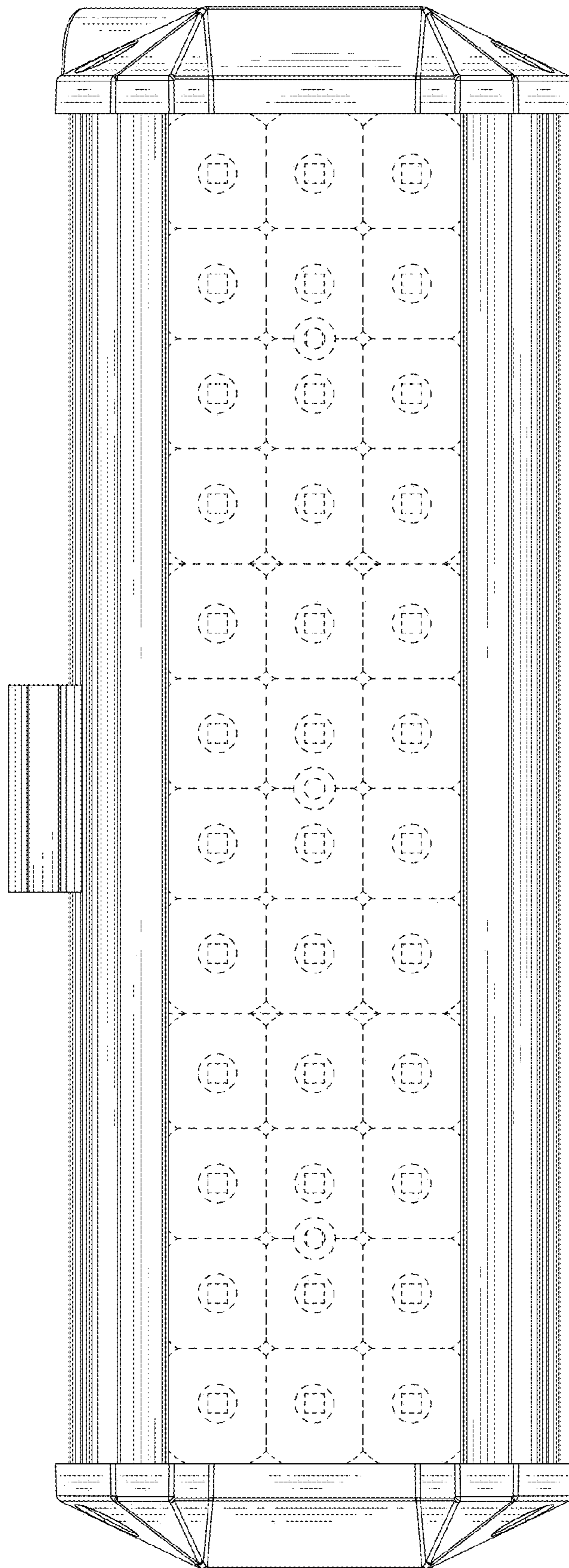


FIG.2

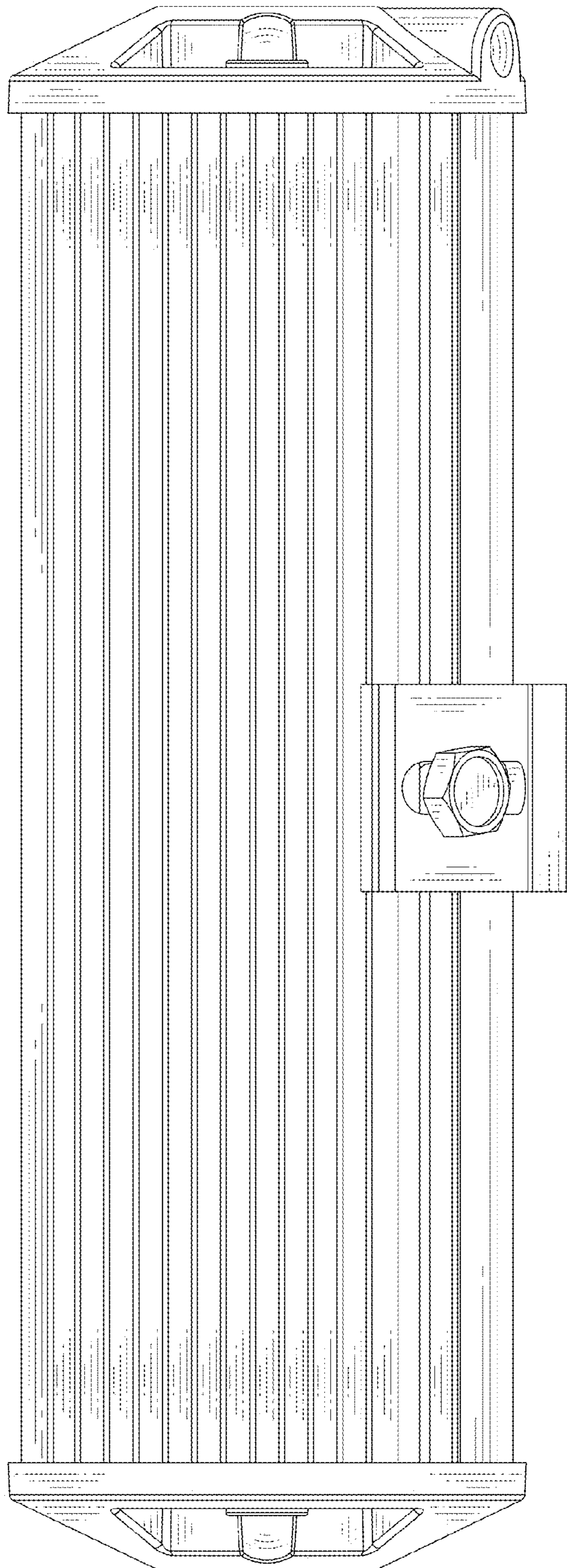


FIG.3

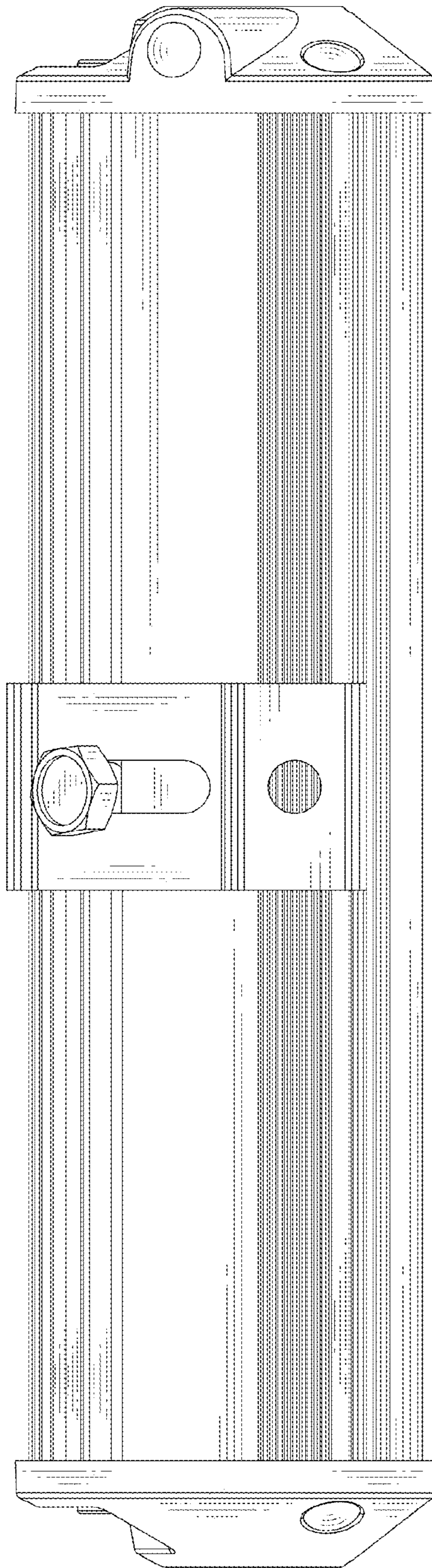


FIG.4



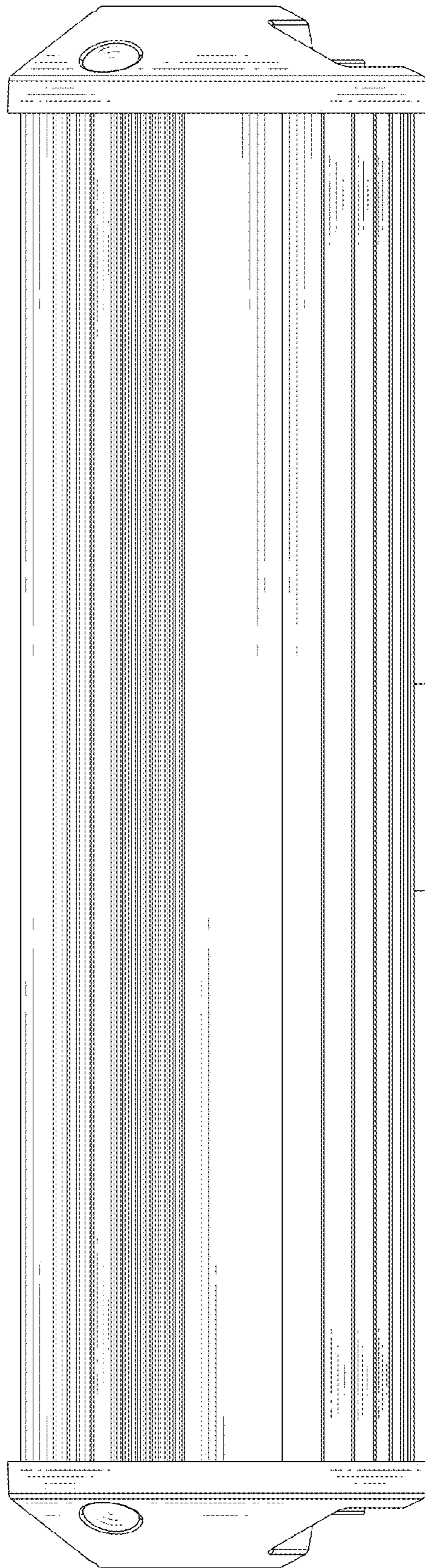


FIG.5

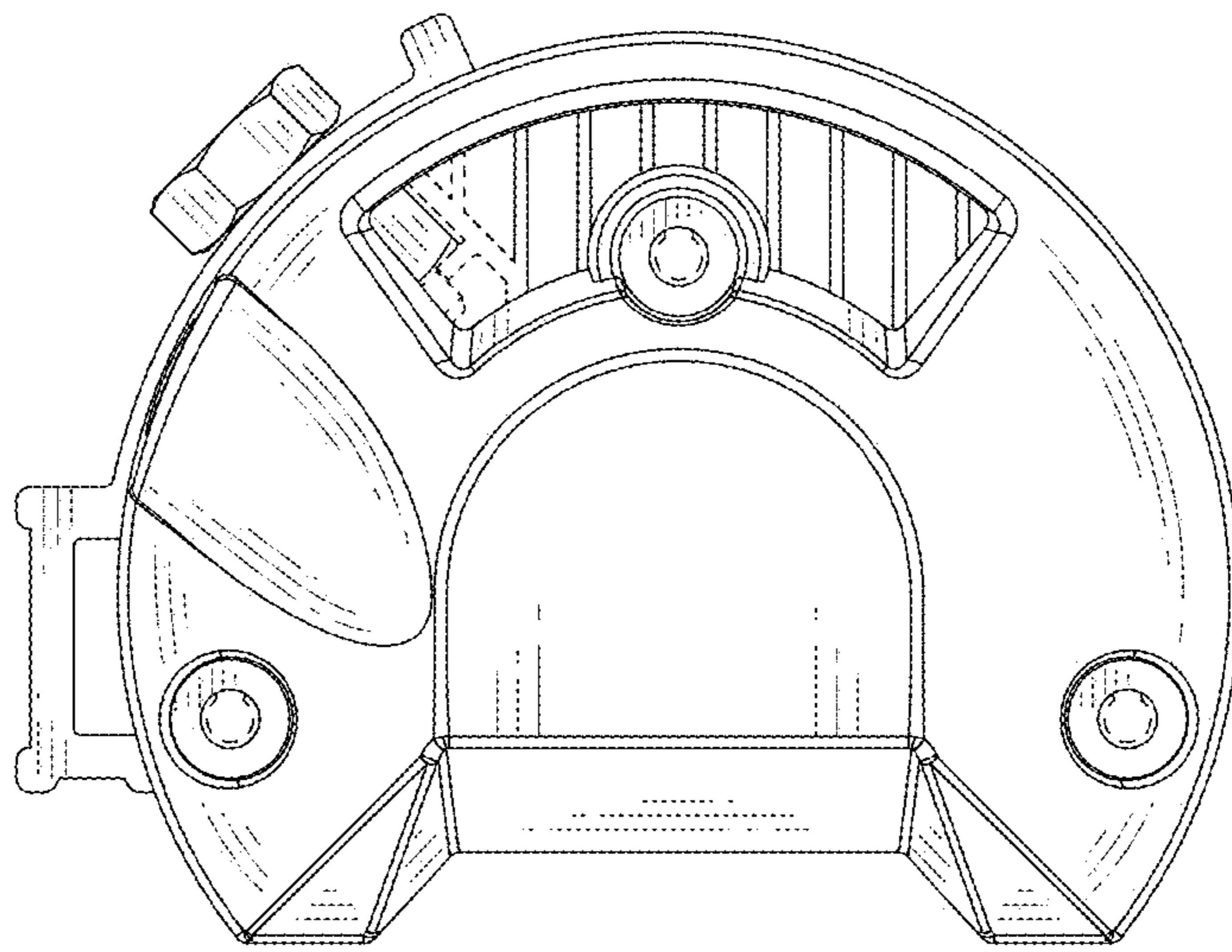


FIG.6

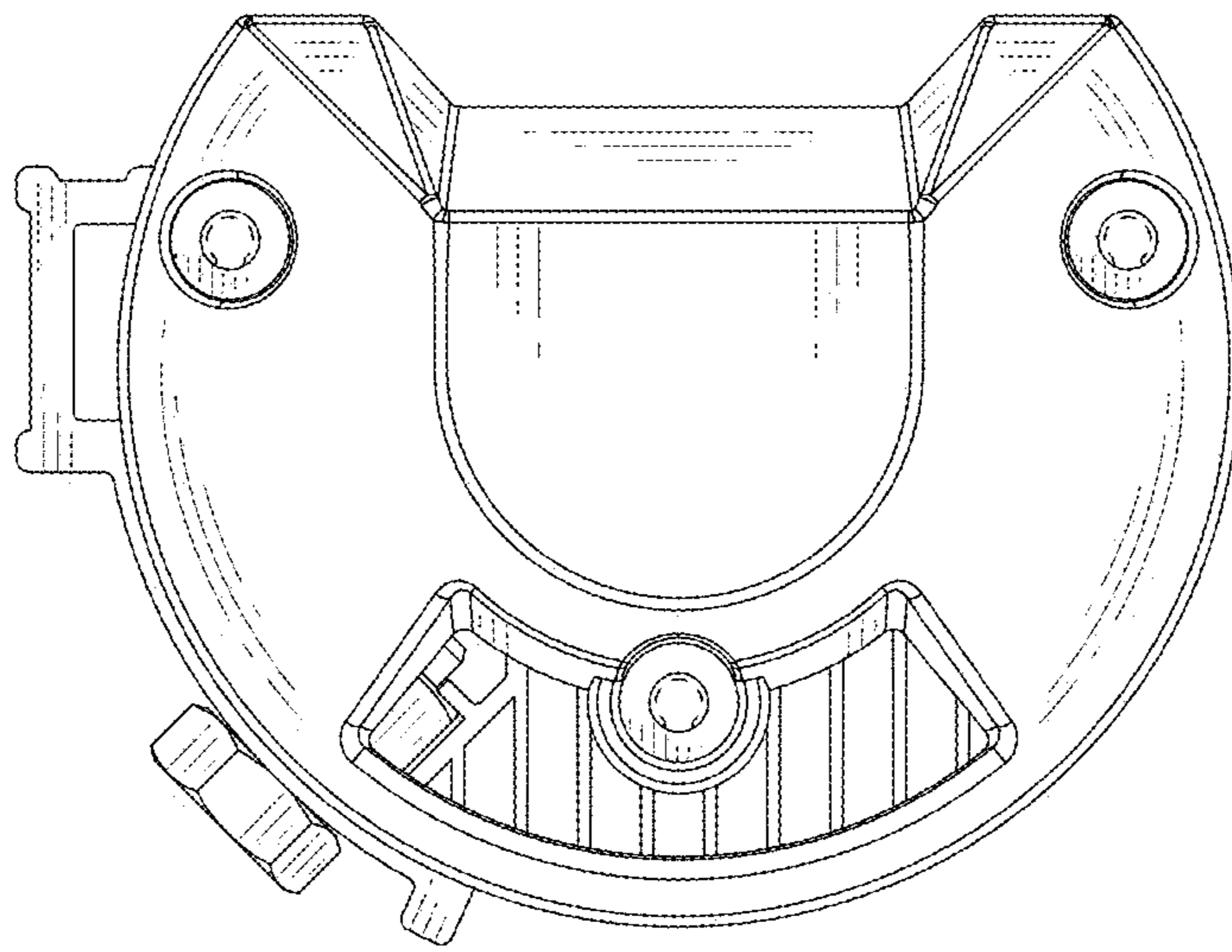


FIG.7



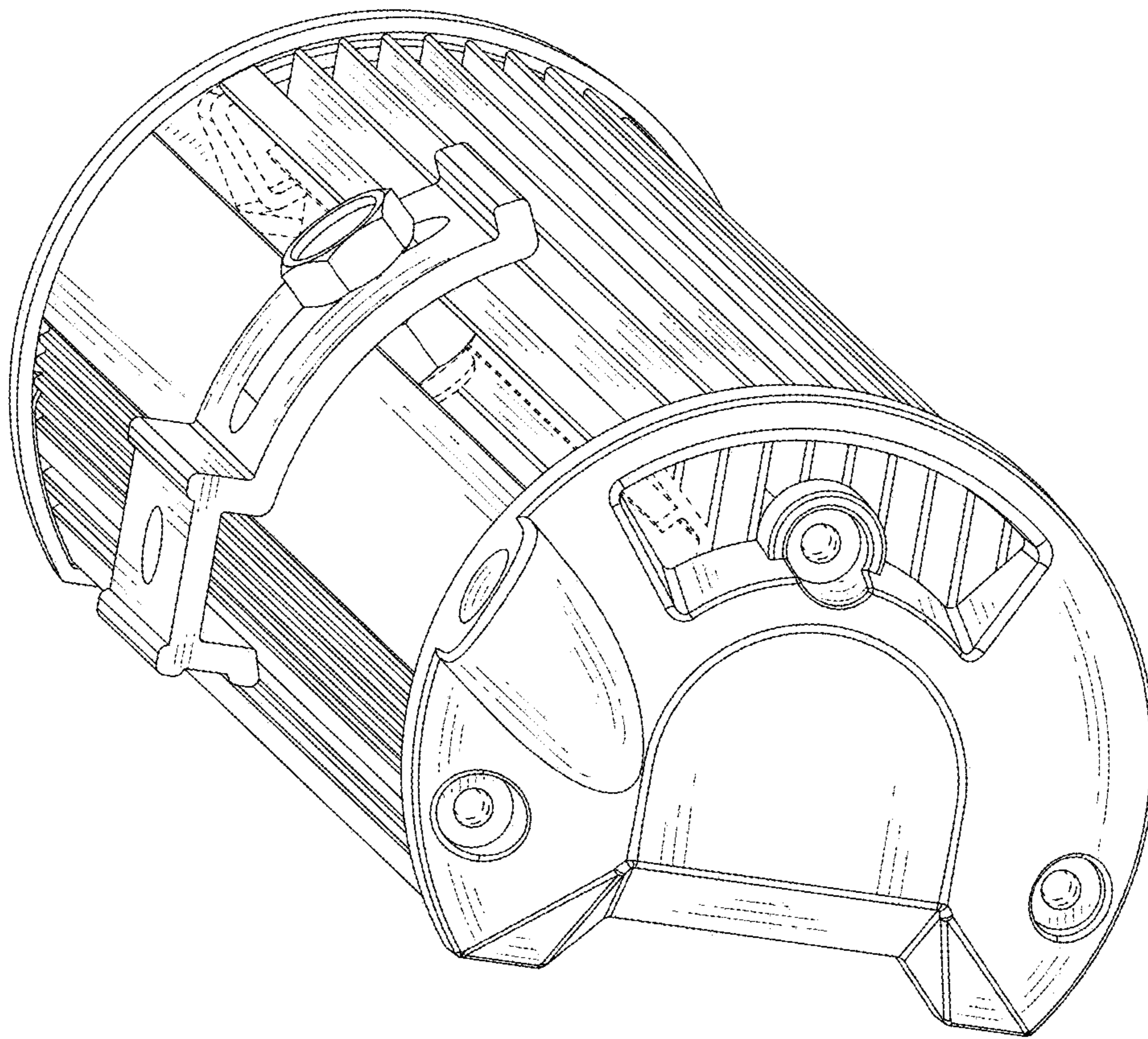


FIG.8