



US00D938090S

(12) **United States Design Patent** (10) **Patent No.:** **US D938,090 S**  
**Gruendl et al.** (45) **Date of Patent:** **\*\* Dec. 7, 2021**

(54) **LUMINAIRE**

(56) **References Cited**

(71) Applicant: **ZUMTOBEL LIGHTING GMBH,**  
Lemgo (AT)  
(72) Inventors: **Harald Gruendl,** Vienna (AT); **Gernot Bohmann,** Vienna (AT); **Martin Bergmann,** Vienna (AT)  
(73) Assignee: **ZUMTOBEL LIGHTING GMBH,**  
Lemgo (DE)

U.S. PATENT DOCUMENTS

D397,490	S	*	8/1998	Lecluze	.....	D26/118
D399,590	S	*	10/1998	Lecluze	.....	D26/118
D609,840	S	*	2/2010	Tang	.....	D26/74
D786,473	S	*	5/2017	Dean	.....	D26/74
D827,902	S	*	9/2018	McGrayne	.....	D26/74
D835,828	S	*	12/2018	McGrayne	.....	D26/74
D848,048	S	*	5/2019	Baumeister	.....	D26/74
2021/0080091	A1	*	3/2021	Gao	.....	F21V 23/0442
2021/0140610	A1	*	5/2021	Sherman	.....	F21V 17/12

\* cited by examiner

*Primary Examiner* — Angela J Lee

(74) *Attorney, Agent, or Firm* — Scully Scott Murphy and Presser

(\*\*) Term: **15 Years**

(21) Appl. No.: **29/738,530**

(22) Filed: **Jun. 18, 2020**

(57) **CLAIM**

The ornamental design for a luminaire, as shown and described.

(30) **Foreign Application Priority Data**

Dec. 18, 2019 (EM) ..... 007423439

**DESCRIPTION**

(51) **LOC (13) Cl.** ..... **26-05**

(52) **U.S. Cl.**  
USPC ..... **D26/74**

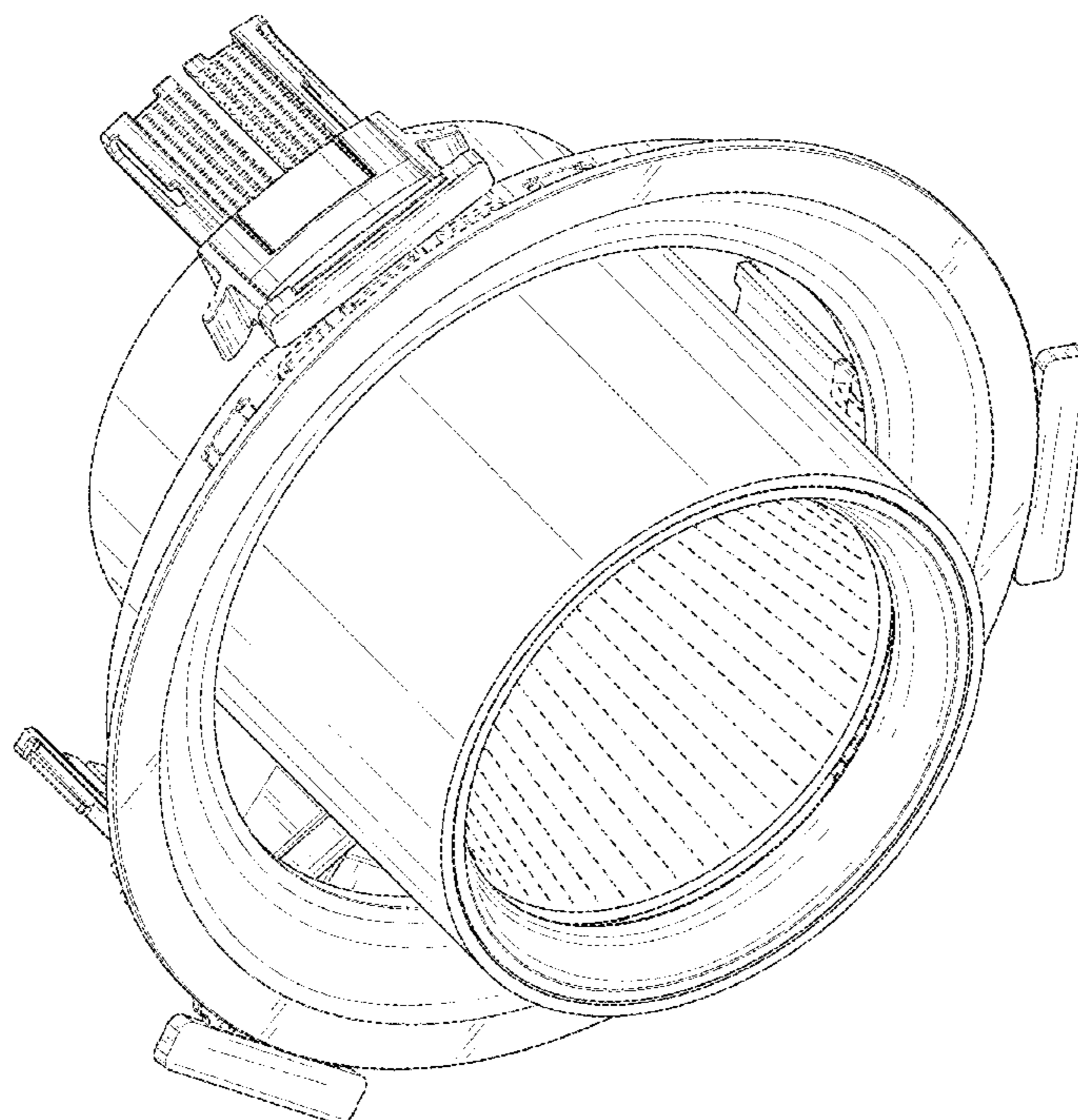
(58) **Field of Classification Search**  
USPC ..... D26/74, 72, 75, 76, 77, 78, 85, 88, 89,  
D26/118, 138, 141; 362/364, 365, 373,  
362/145, 146, 147, 148, 150, 153, 153.1,  
362/294, 296.01, 296.07, 296.08  
CPC ..... F21V 29/2262; F21V 7/06; F21V 21/044;  
F21V 21/047; F21V 29/2212; F21V  
29/2225; F21V 29/2256; F21V 29/225;  
F21V 29/2268; F21Y 2111/002; F21S  
8/02; F21S 8/026

FIG. 1 is a bottom perspective view of the luminaire showing our new and ornamental design; FIG. 2 is a top perspective view thereof; FIG. 3 is a bottom plan view thereof; FIG. 4 is a side elevation view thereof; FIG. 5 is an alternate side elevation view thereof; FIG. 6 is an alternate side elevation view thereof; FIG. 7 is an alternate top perspective view thereof; FIG. 8 is an alternate bottom perspective view thereof; and, FIG. 9 is a top plan view thereof.

The portions of the luminaire shown in broken lines in the figures attached hereto form no part of the claimed design.

See application file for complete search history.

**1 Claim, 9 Drawing Sheets**



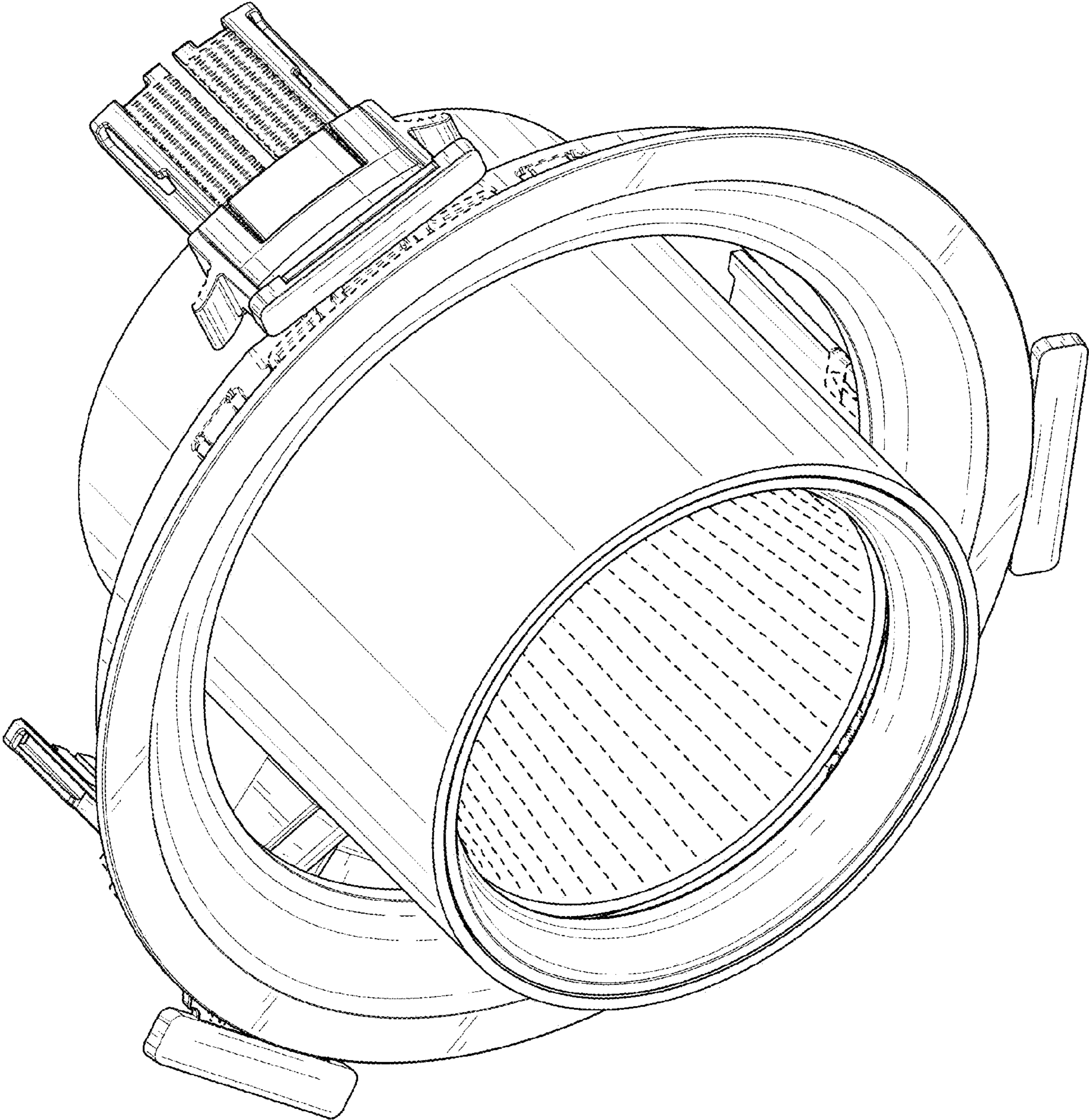


FIG. 1

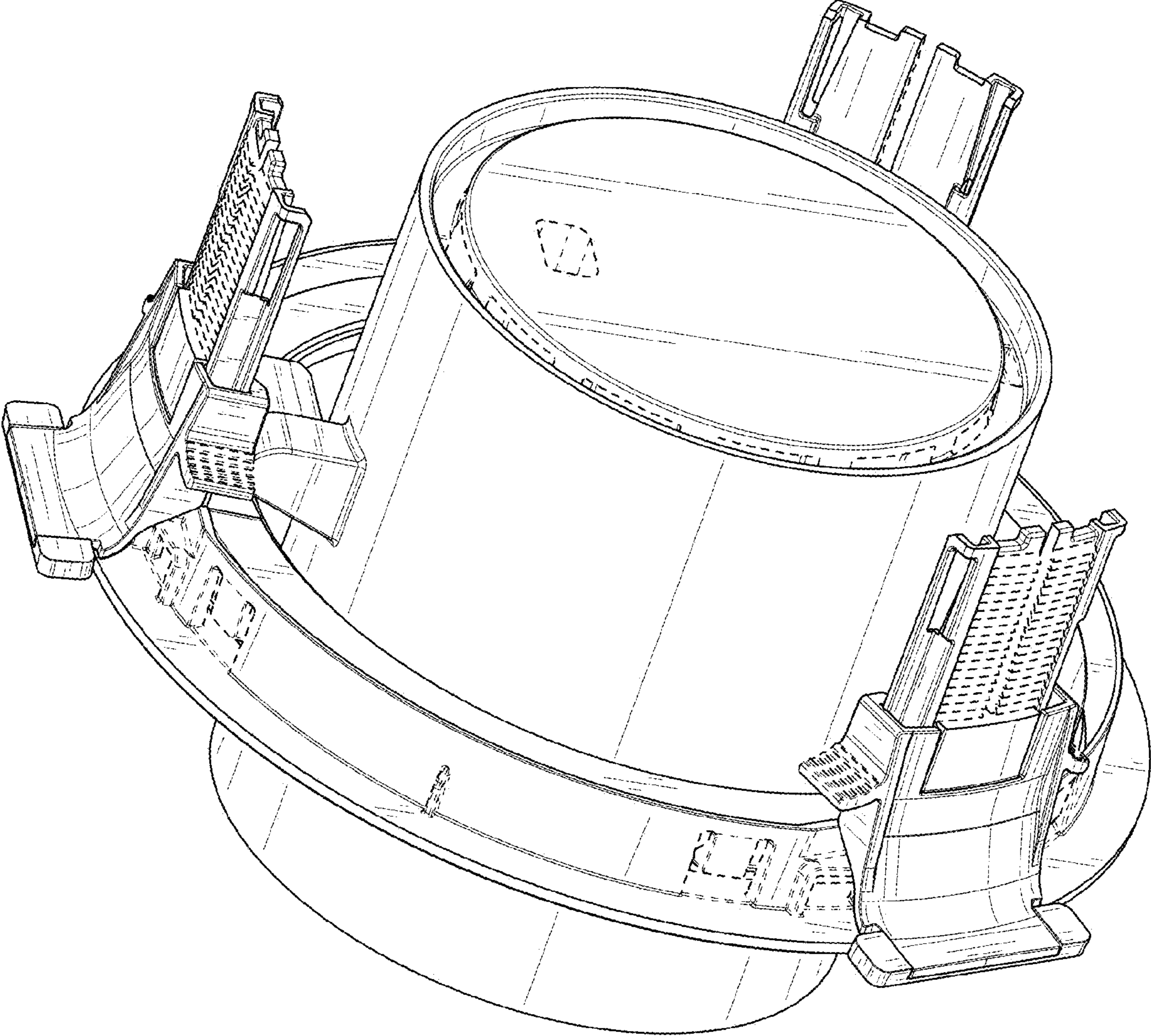


FIG. 2

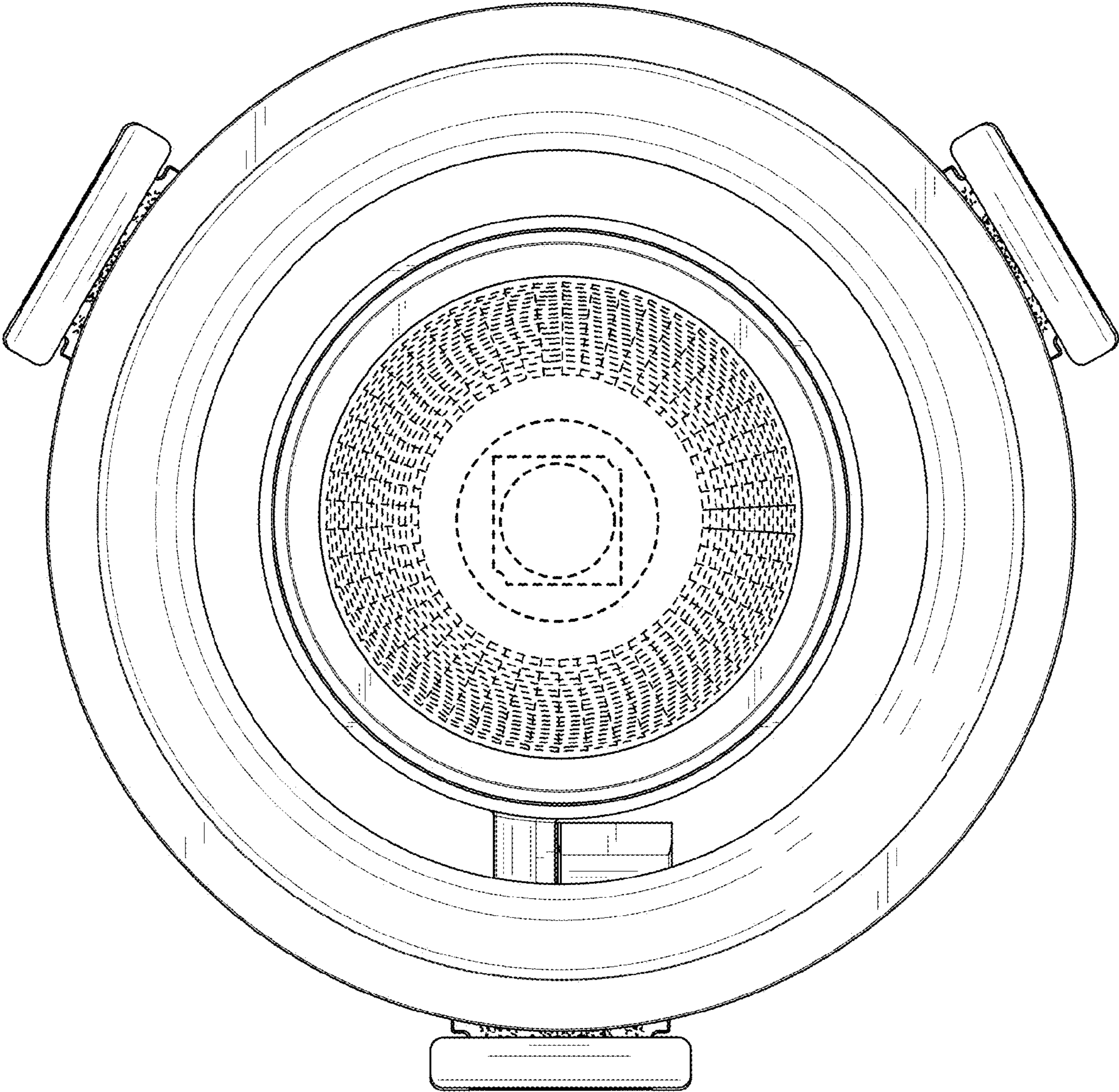


FIG. 3

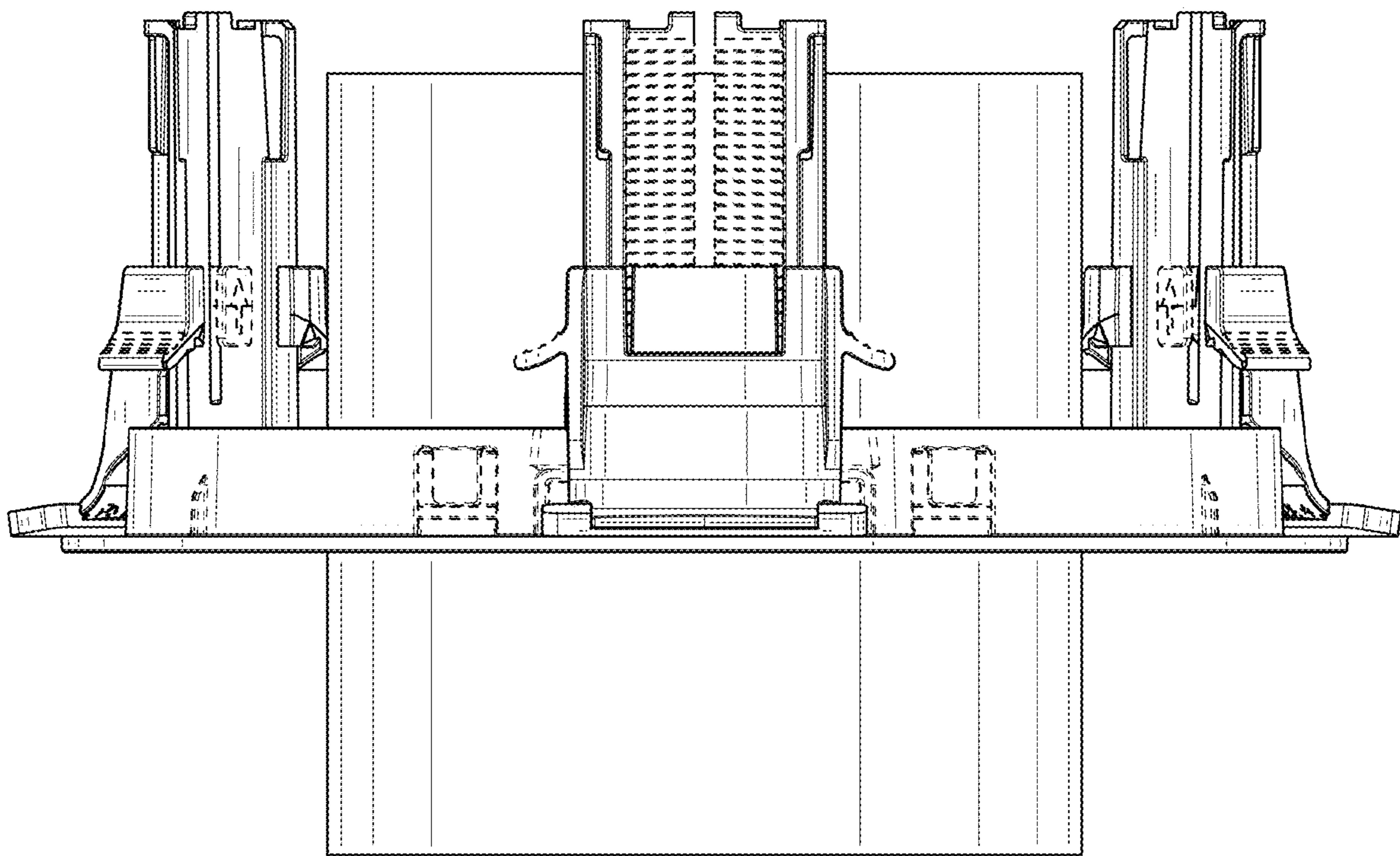


FIG. 4

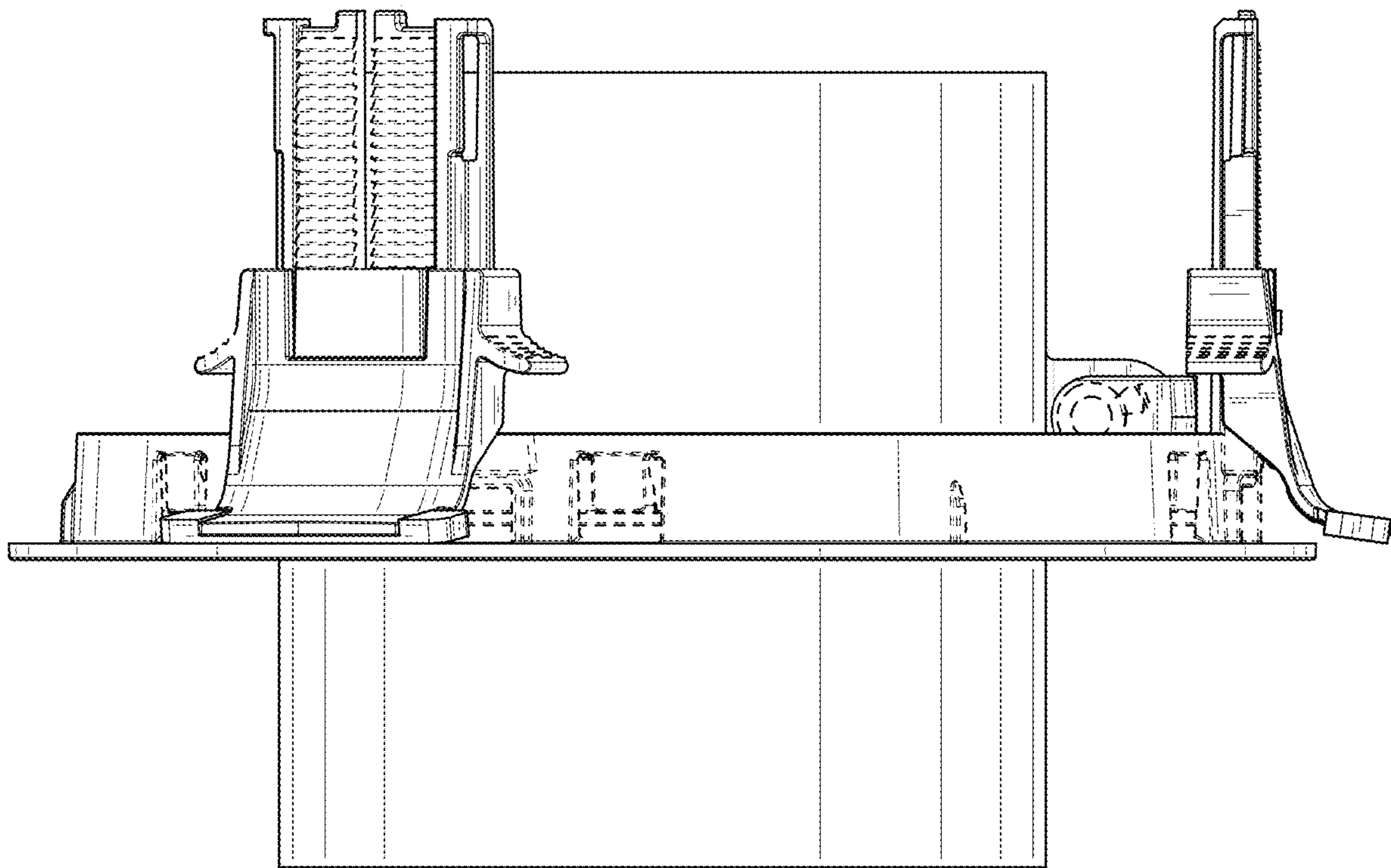


FIG. 5

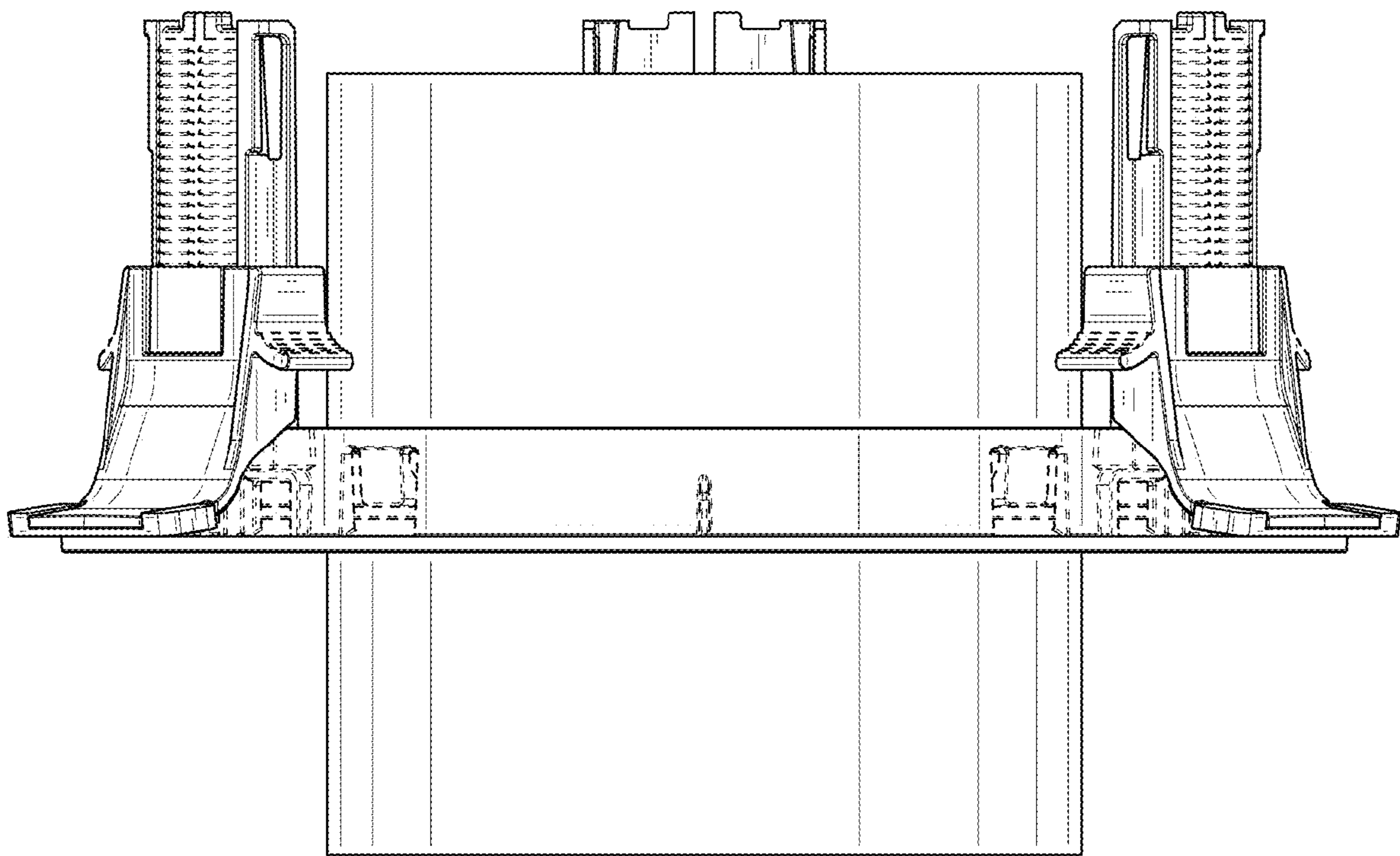


FIG. 6

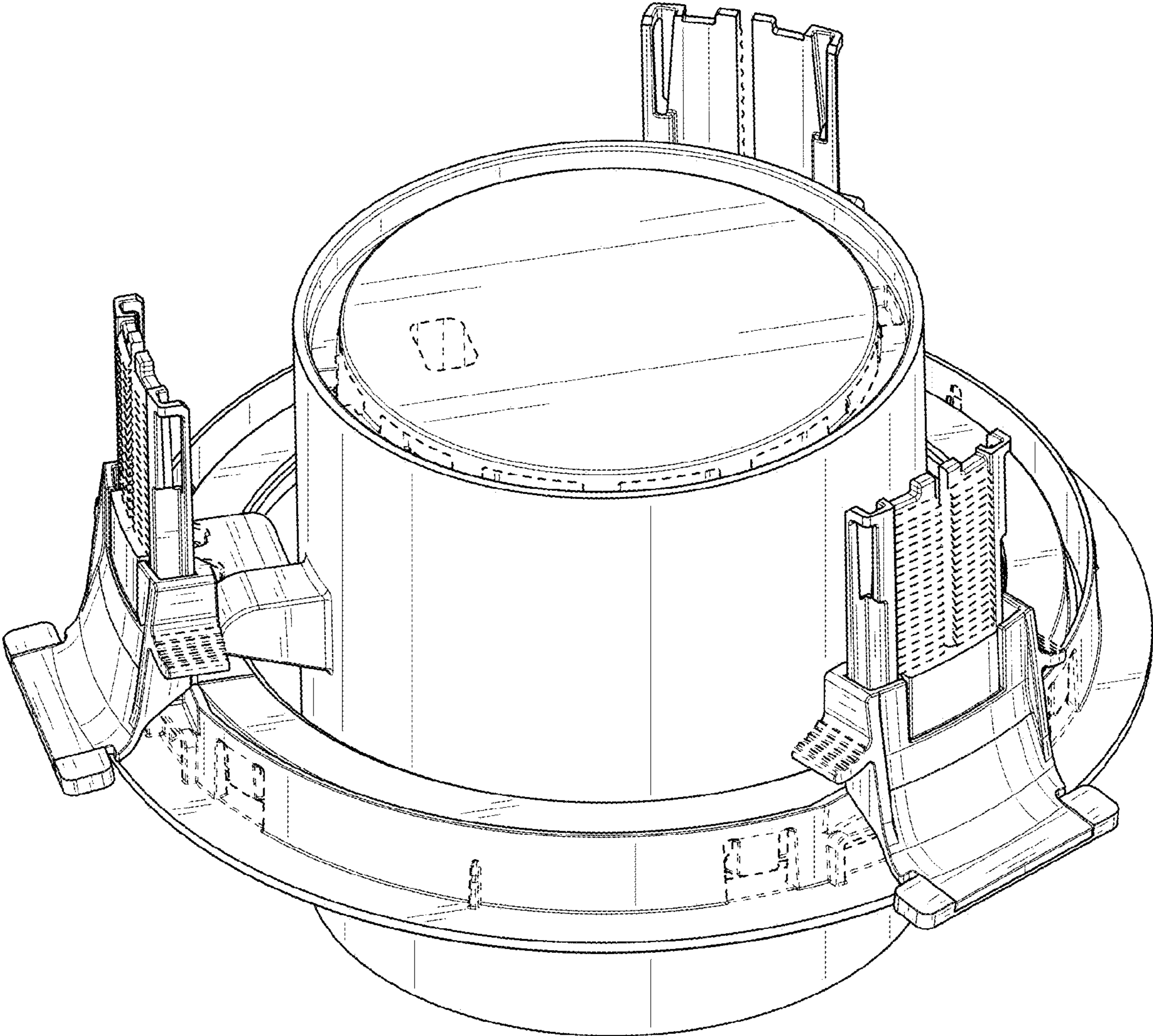


FIG. 7



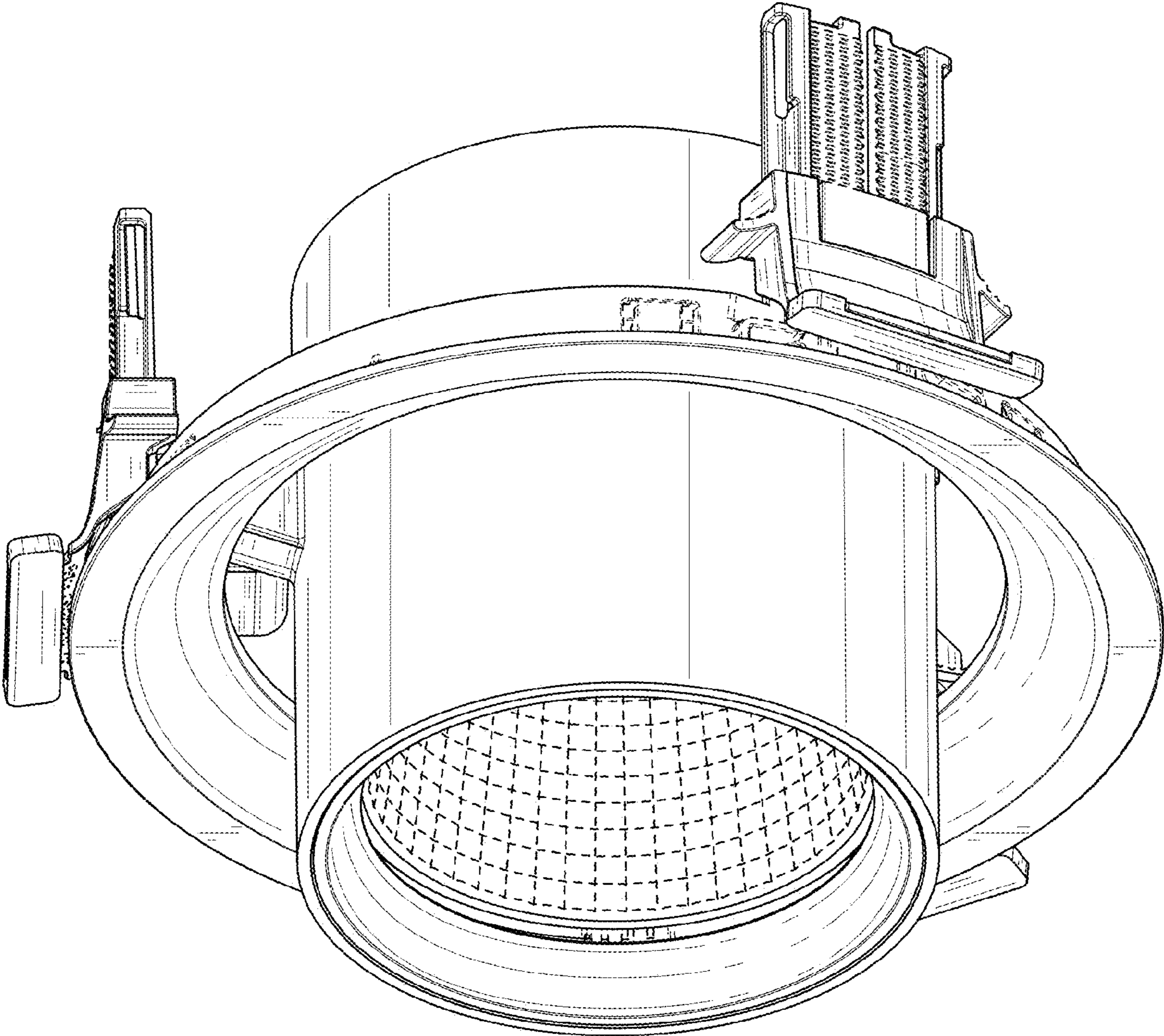


FIG. 8

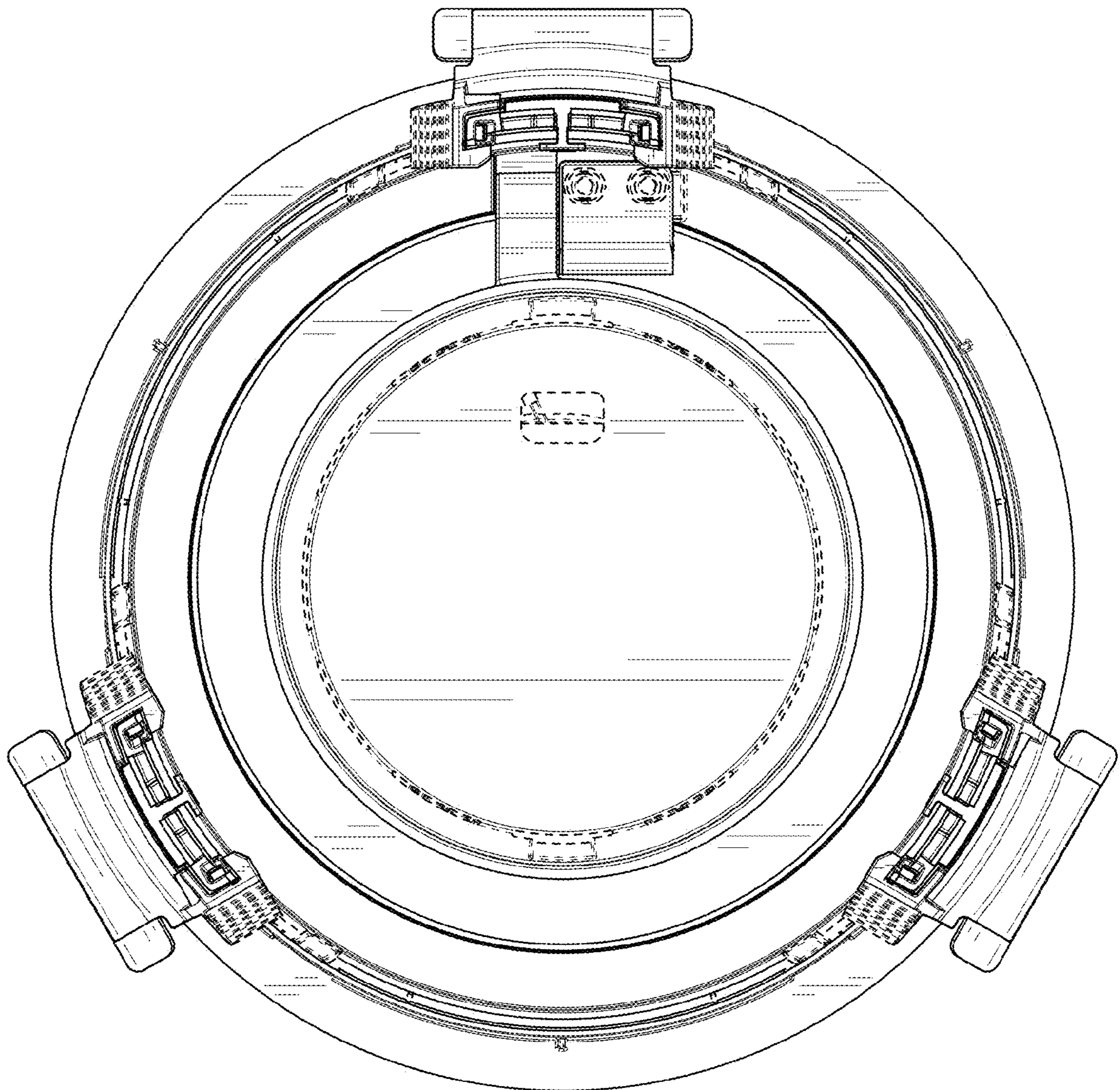


FIG. 9