



US00D938089S

(12) **United States Design Patent** (10) **Patent No.:** **US D938,089 S**
Farzan (45) **Date of Patent:** **** Dec. 7, 2021**

(54) **RECESSED LIGHTING FIXTURE WITH DETACHABLE TRIM**

Primary Examiner — Angela J Lee

(74) *Attorney, Agent, or Firm* — K&L Gates LLP

(71) Applicant: **NORA LIGHTING, INC.**, Commerce, CA (US)

(72) Inventor: **Fred Farzan**, Beverly Hills, CA (US)

(57) **CLAIM**

(73) Assignee: **Nora Lighting, Inc.**, Commerce, CA (US)

The ornamental design for a recessed lighting fixture with detachable trim, as shown and described herein.

(**) Term: **15 Years**

(21) Appl. No.: **29/718,877**

DESCRIPTION

(22) Filed: **Dec. 30, 2019**

Related U.S. Application Data

(62) Division of application No. 29/632,645, filed on Jan. 9, 2018, now Pat. No. Des. 871,644.

(51) **LOC (13) Cl.** **26-05**

(52) **U.S. Cl.**
USPC **D26/74**

(58) **Field of Classification Search**
USPC D26/74, 72, 75, 76, 77, 78, 85, 88, 89, D26/118, 138, 141, 67, 70; 362/364,
(Continued)

(56) **References Cited**

U.S. PATENT DOCUMENTS

D383,564 S 9/1997 Lecluze
D544,128 S 6/2007 Carro
(Continued)

FOREIGN PATENT DOCUMENTS

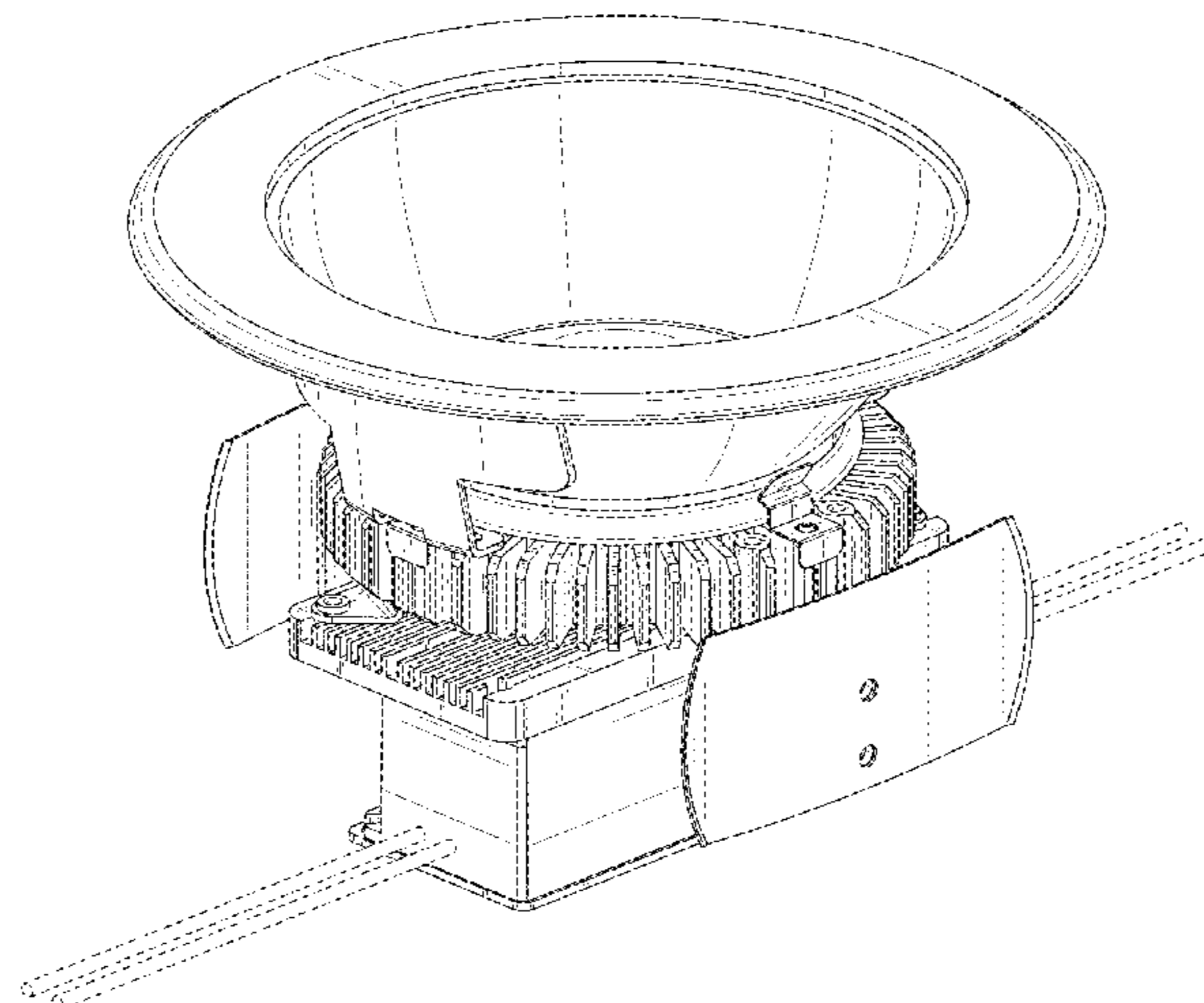
JP D1544296 2/2016
JP D1549105 5/2016
(Continued)

OTHER PUBLICATIONS

Taiwan Office Action for Patent Appl. No. 105304402 dated Mar. 2, 2017—3 pages.

(Continued)

1 Claim, 11 Drawing Sheets



(58) **Field of Classification Search**
 USPC 362/365, 373, 145, 146, 147, 148, 150,
 362/153, 153.1, 294, 296.01, 296.07,
 362/296.08
 CPC F21V 29/2262; F21V 7/06; F21V 21/044;
 F21V 21/047; F21V 29/2212; F21V
 29/2225; F21V 29/2256; F21V 29/225;
 F21V 29/2268; F21Y 2111/002; F21S
 8/02; F21S 8/026
 See application file for complete search history.

D778,482 S 2/2017 Guzzini
 D779,099 S 2/2017 Beck et al.
 D779,700 S * 2/2017 Lee D26/74
 D779,701 S 2/2017 Lazalier
 D785,228 S 4/2017 Guzzini
 D786,472 S 5/2017 Christopher
 D786,473 S * 5/2017 Dean D26/74
 D810,345 S * 2/2018 Redfern D26/74
 D816,256 S 4/2018 Benghozi
 D827,903 S * 9/2018 Wu D26/74
 D854,725 S * 7/2019 Goetz-Schaefer D26/74
 D871,644 S * 12/2019 Farzan D26/74
 D877,956 S * 3/2020 Wilcox D26/74
 2012/0182744 A1 7/2012 Santiago

(56) **References Cited**

U.S. PATENT DOCUMENTS

D596,330 S 7/2009 Pickard
 D601,293 S * 9/2009 MacKenzie D26/74
 D622,434 S 8/2010 Ward
 D624,691 S 9/2010 Zhang
 D636,922 S 4/2011 Yoshida
 D640,819 S 6/2011 Pan
 D665,117 S * 8/2012 Yoshida D26/74
 D681,861 S 5/2013 Soni
 D684,288 S 6/2013 Gielen
 D684,290 S 6/2013 Goelz
 D687,587 S 8/2013 Rashid
 D691,314 S 10/2013 Rashid
 D697,651 S 1/2014 Carpenter
 D698,069 S 1/2014 Messesaen
 D698,970 S 2/2014 Guzzini
 D708,381 S 7/2014 Rashid
 D710,047 S 7/2014 Hildebrandt
 D714,989 S 10/2014 Rowlette, Jr.
 D722,192 S 2/2015 Boyer et al.
 D723,728 S 3/2015 Jeswani
 D726,949 S 4/2015 Redfern
 D741,533 S 10/2015 Yeh

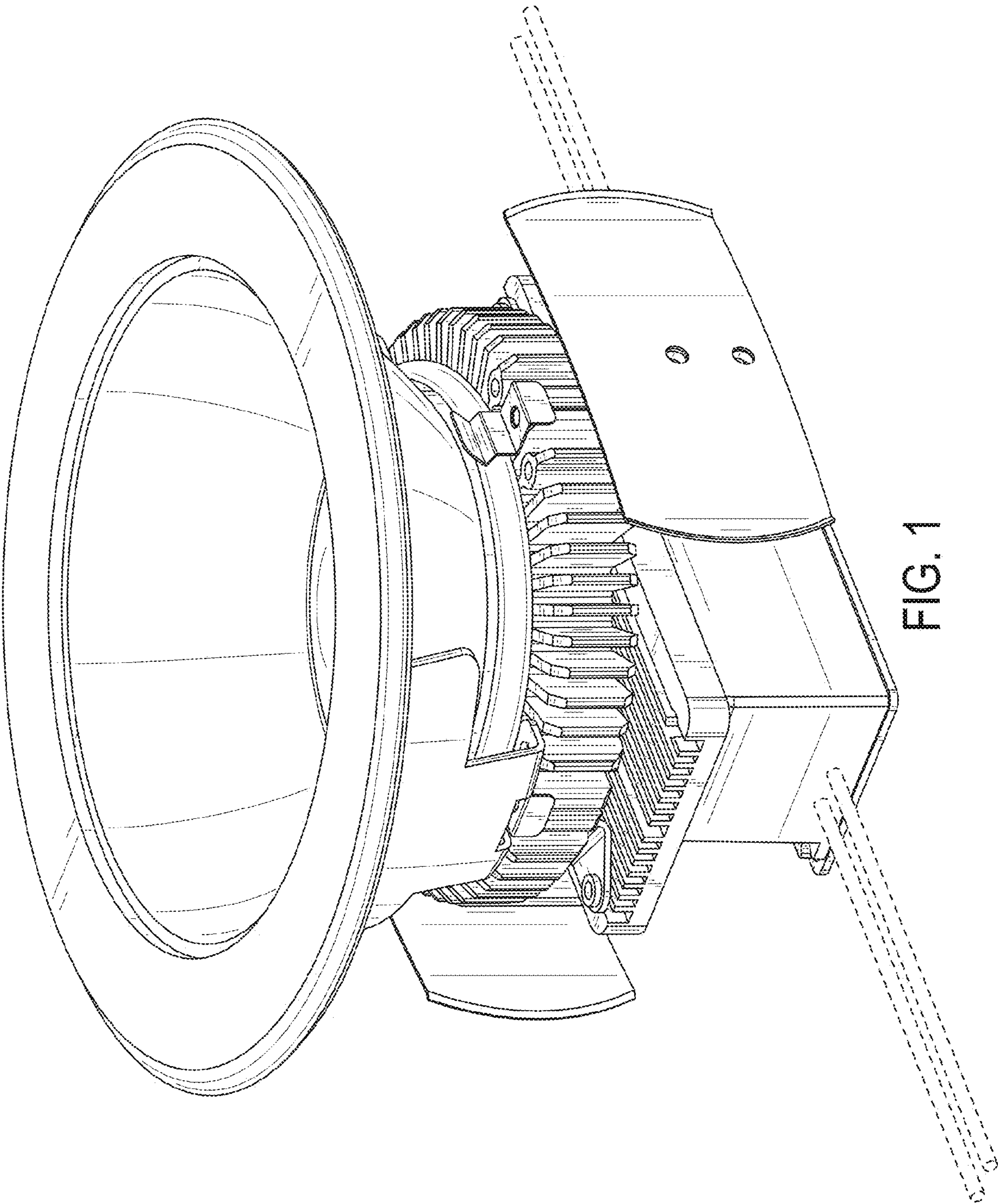
FOREIGN PATENT DOCUMENTS

TW 182474 4/1992
 TW D109996 4/2006
 TW D122918 5/2008
 TW D143837 S1 11/2011
 TW D159387 3/2014
 TW D1788232 9/2016
 TW D190413 5/2018

OTHER PUBLICATIONS

Taiwan Office Action for Patent Appl. No. 105304402 dated Mar. 2, 2017—3 pages (English Translation).
 Chinese Office Action for Patent Appl. No. 201630360635.2 dated Nov. 2, 2016—1 page.
 Taiwan Office Action Application No. 10820239030 dated Mar. 18, 2019—1 page.
 Chinese Office Action Application No. 201830366021.4 dated Mar. 1, 2019—1 page.

* cited by examiner



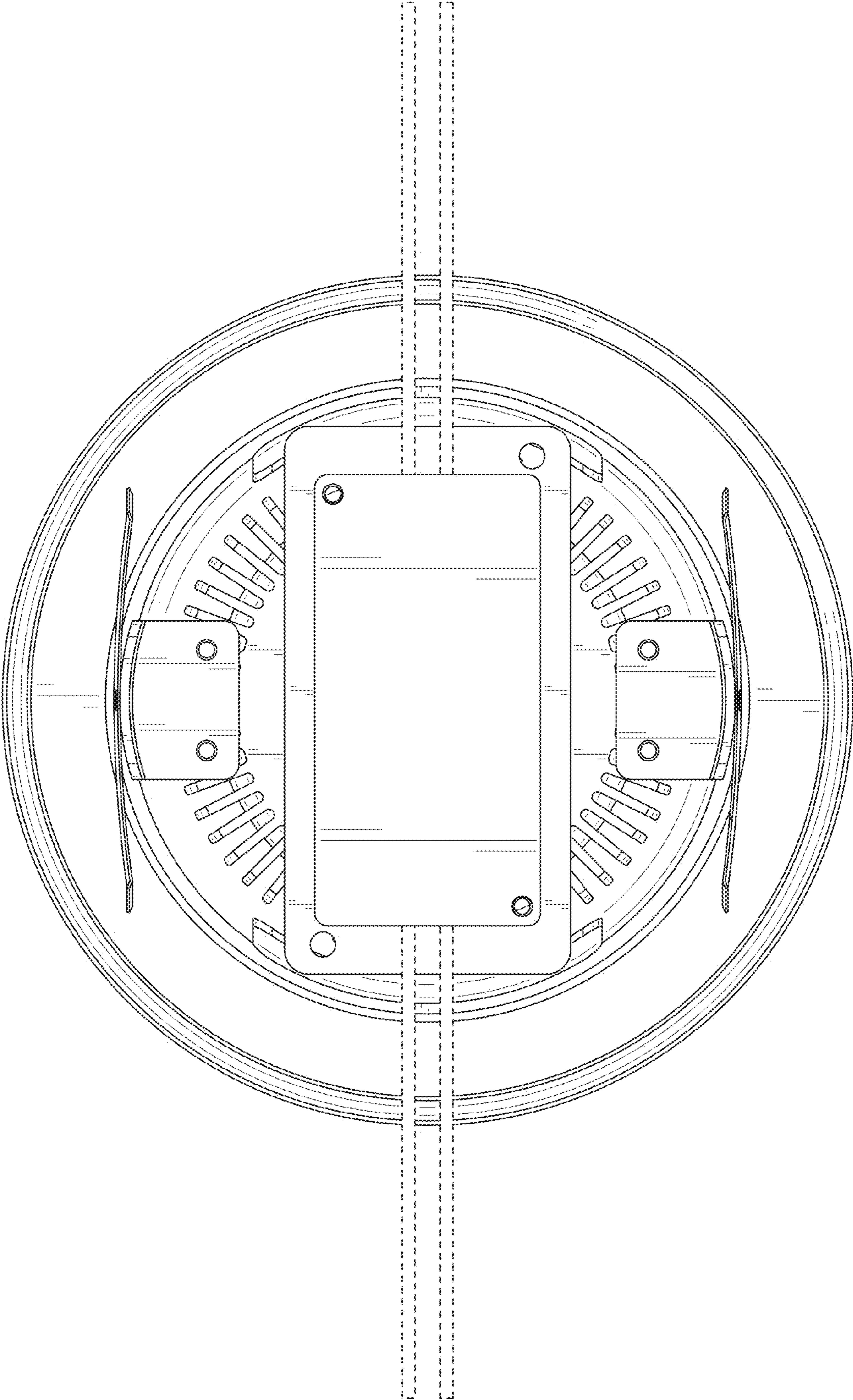


FIG. 2

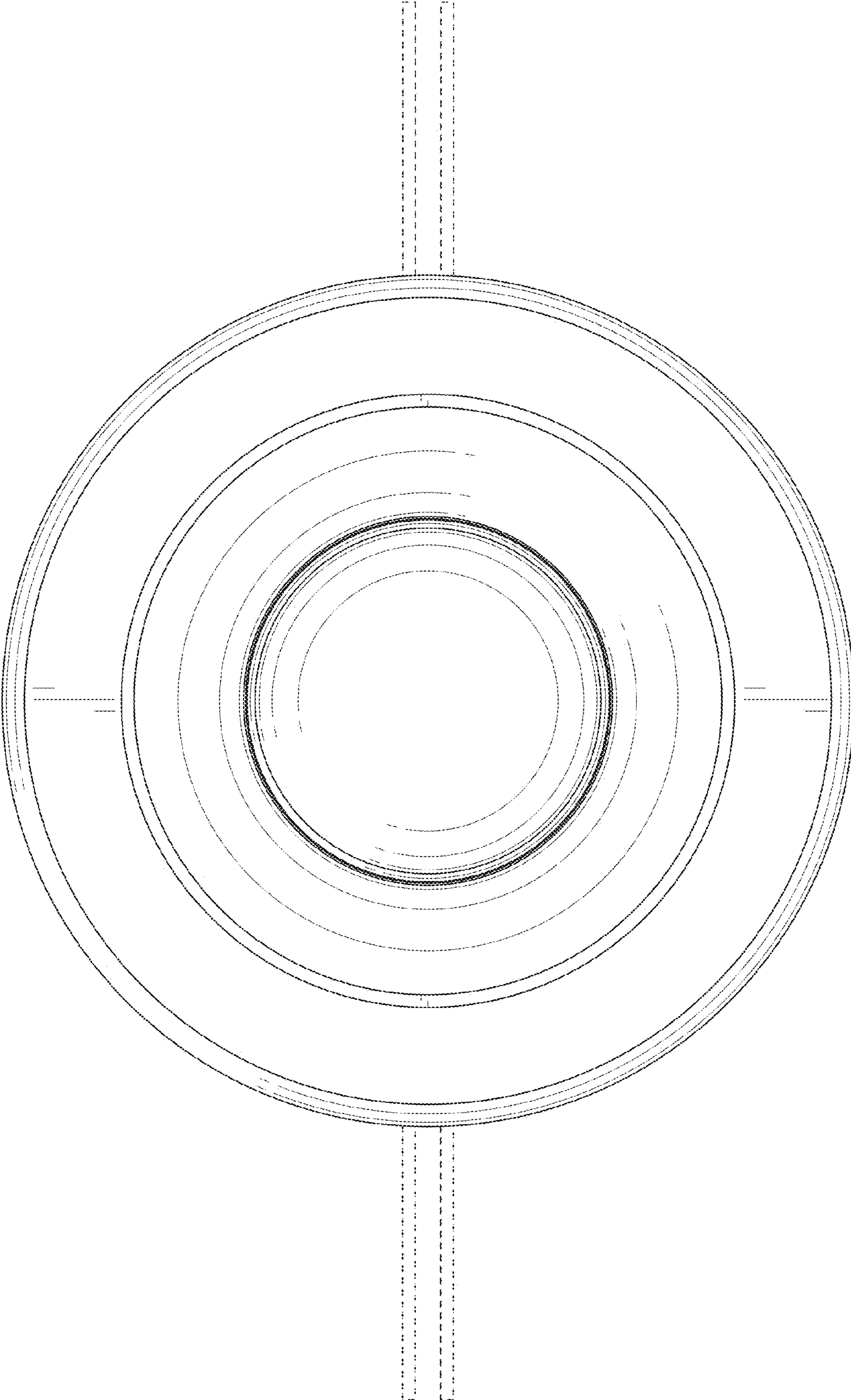


FIG. 3

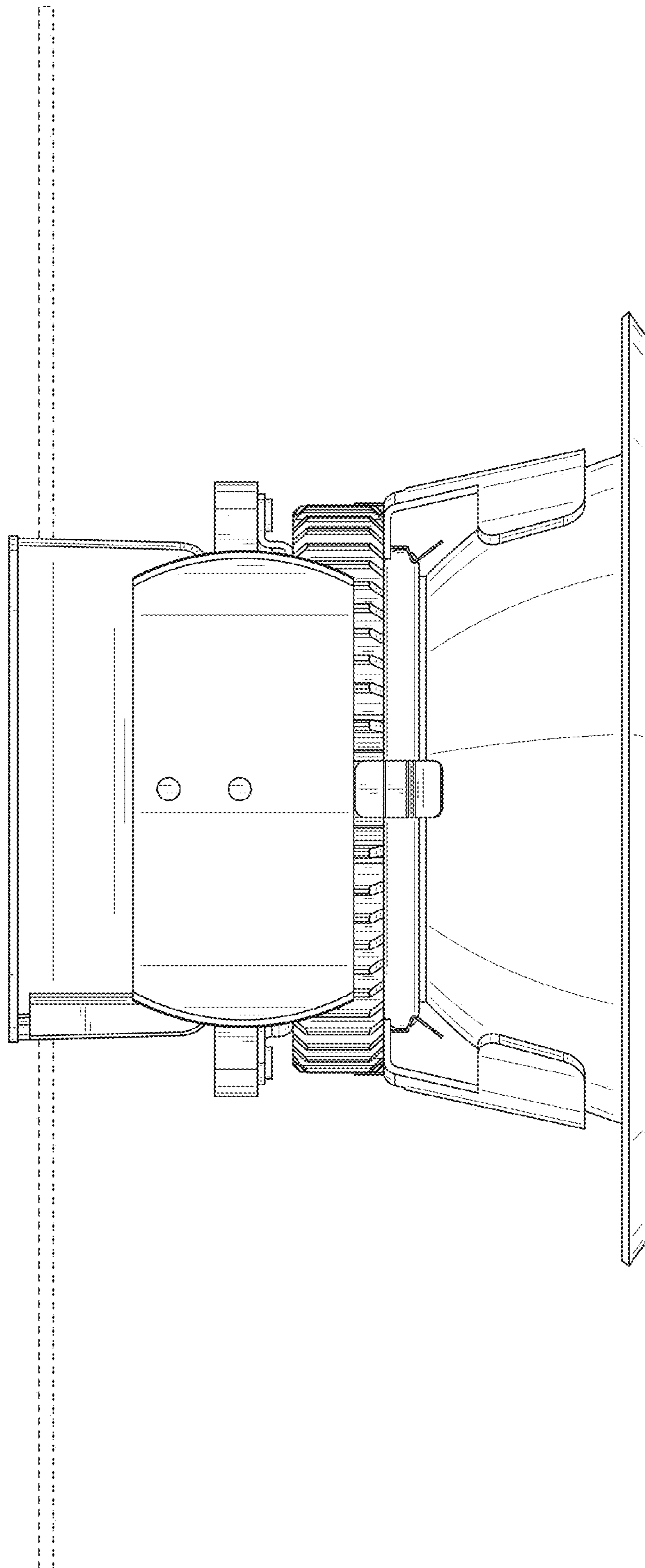


FIG. 4

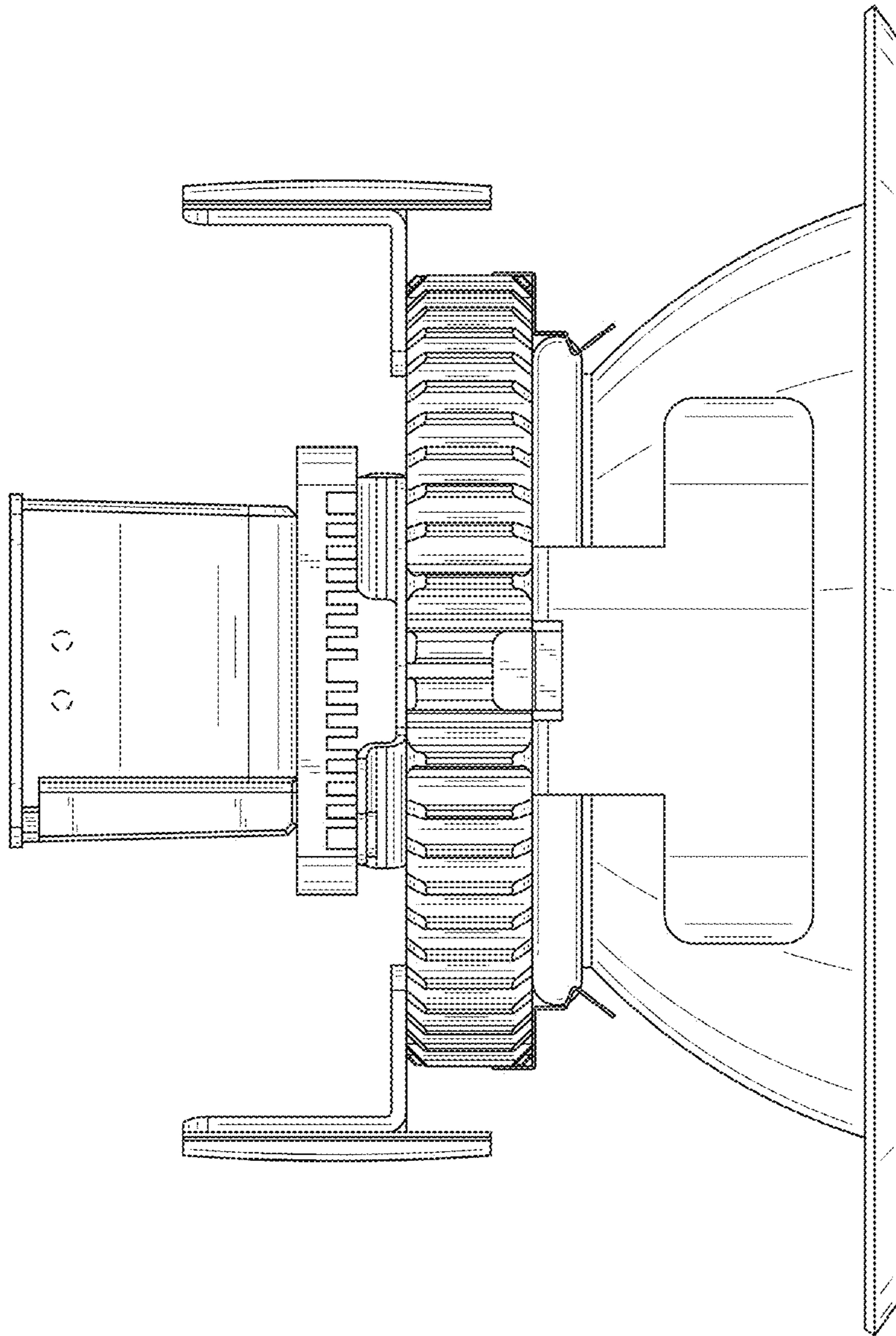


FIG. 5

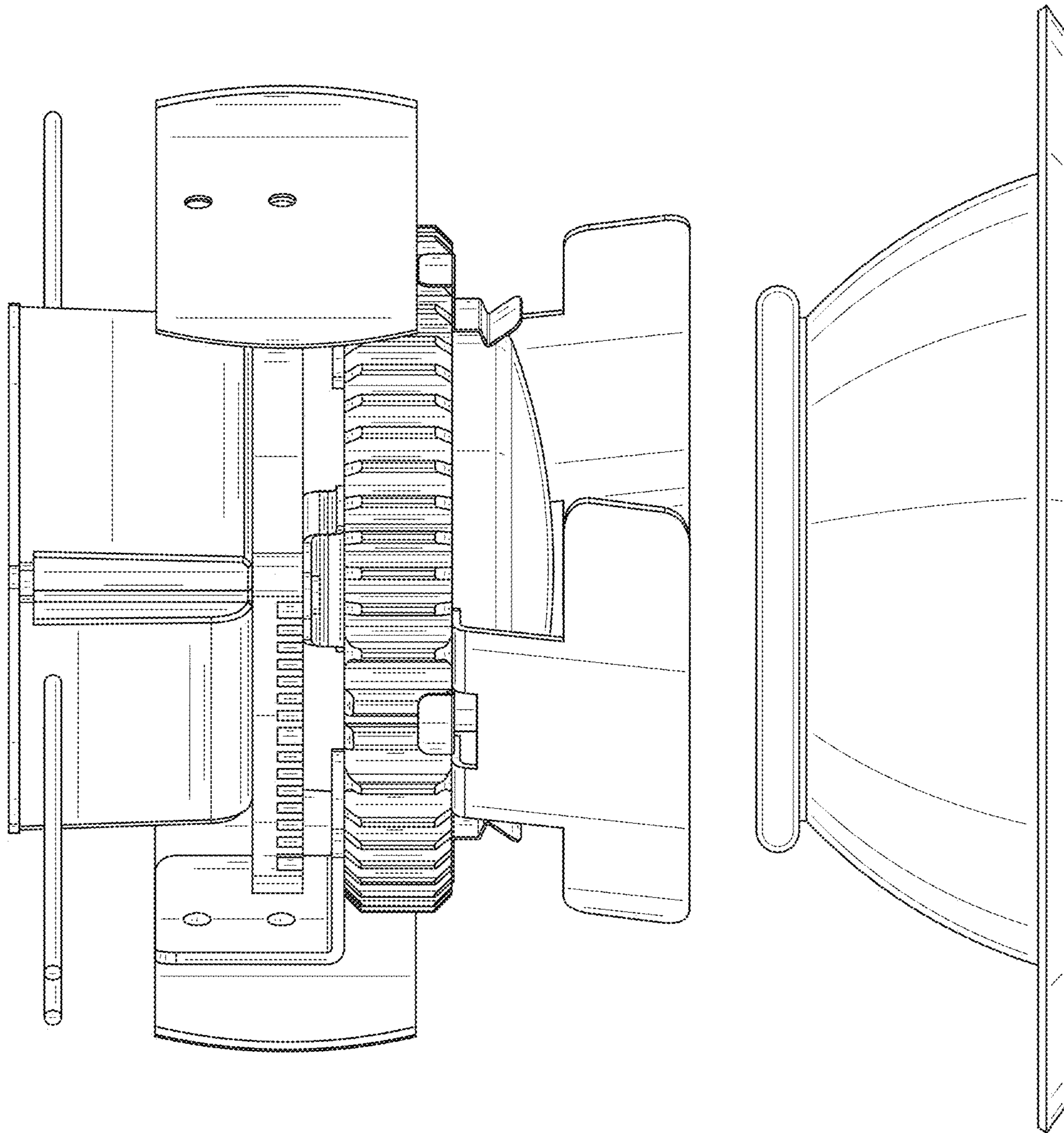


FIG. 6

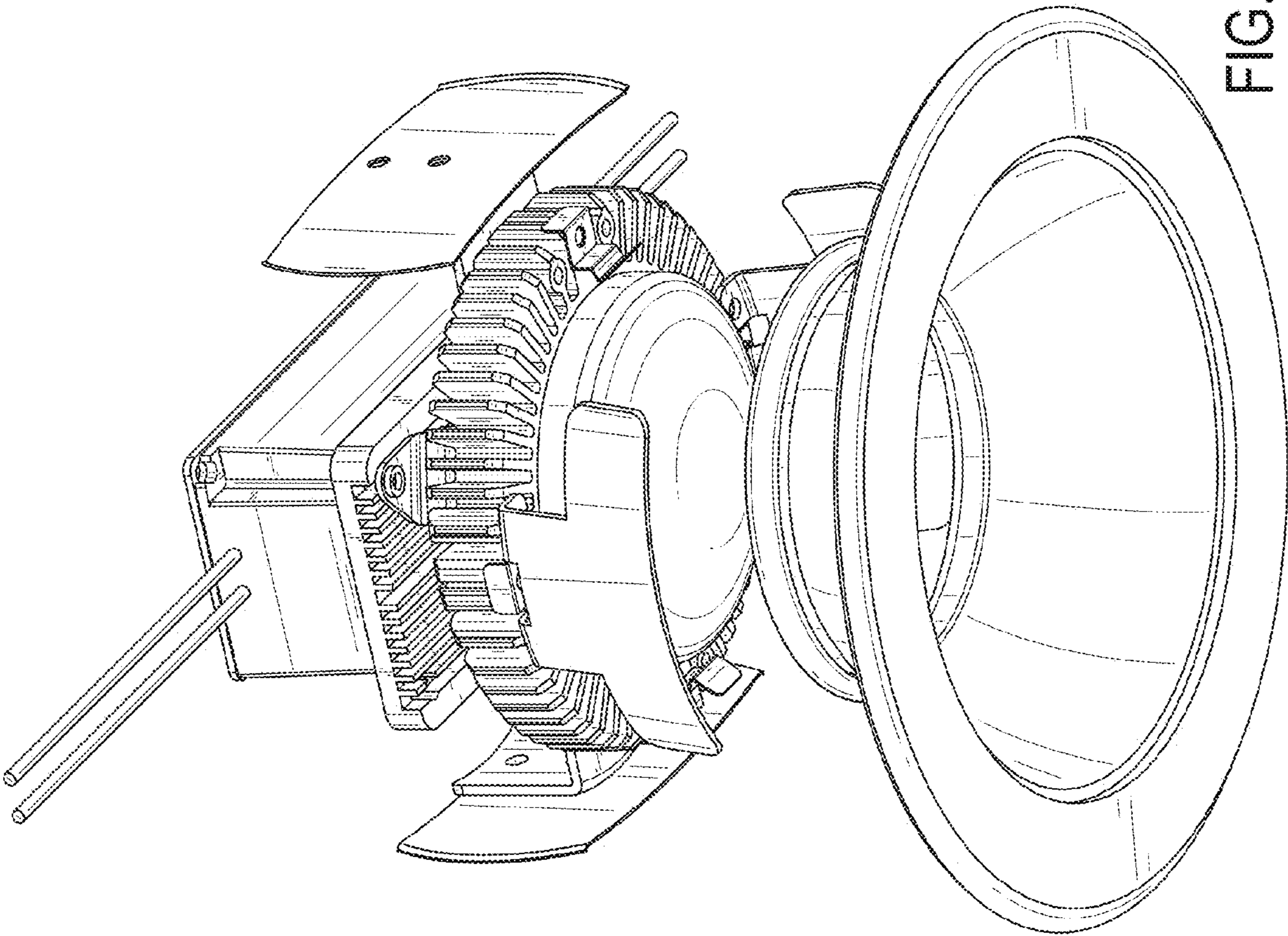


FIG. 7

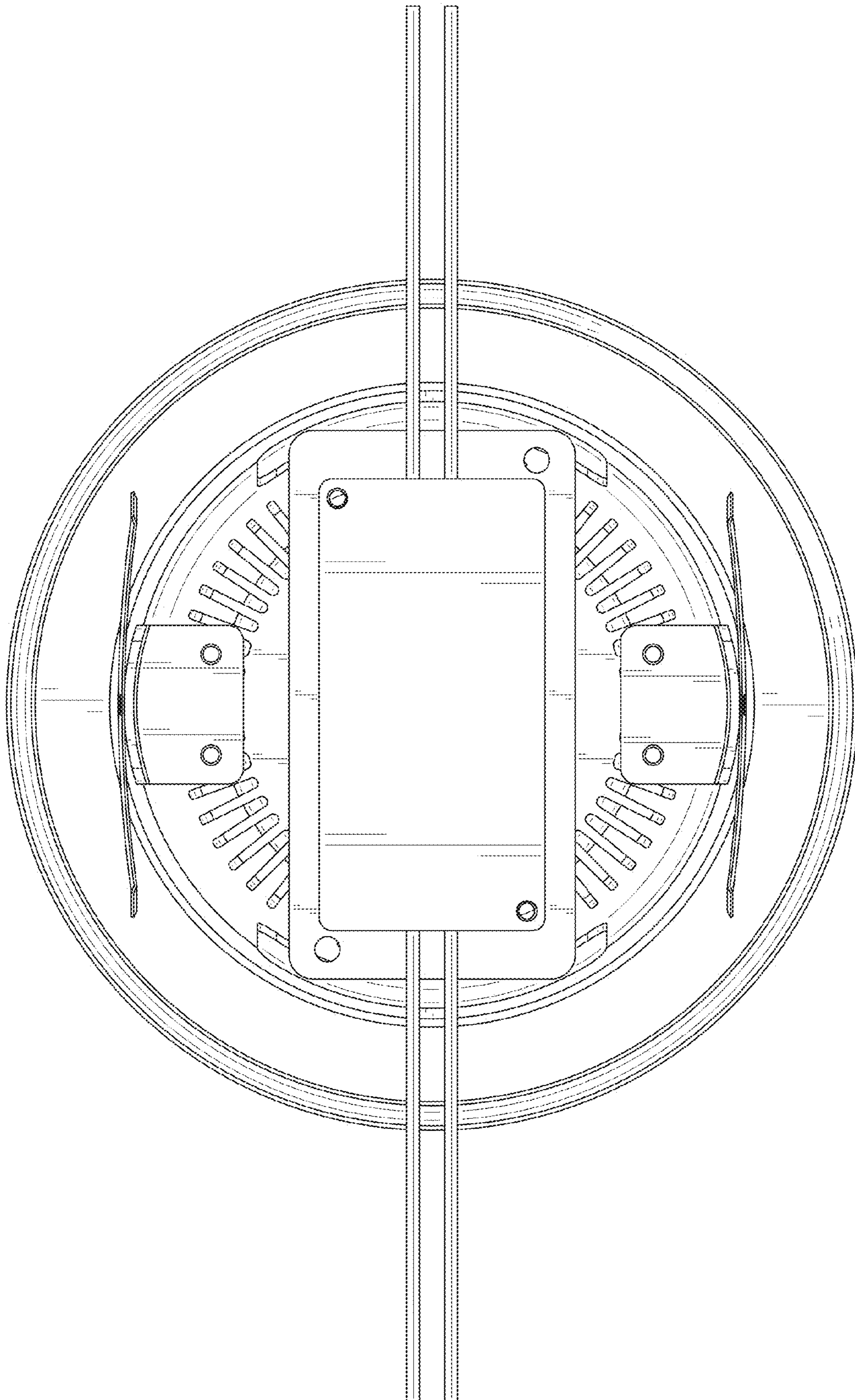


FIG. 8

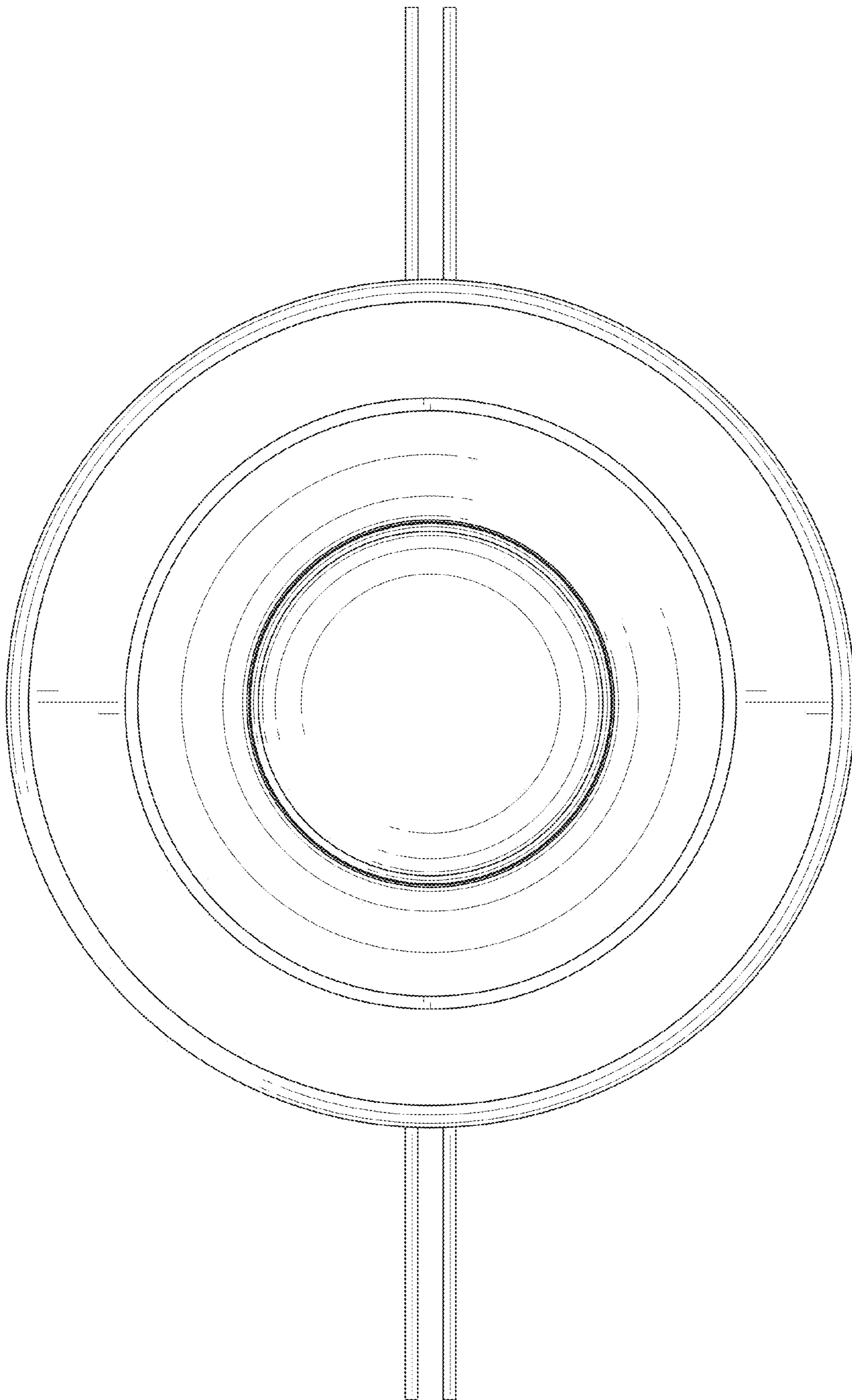


FIG. 9

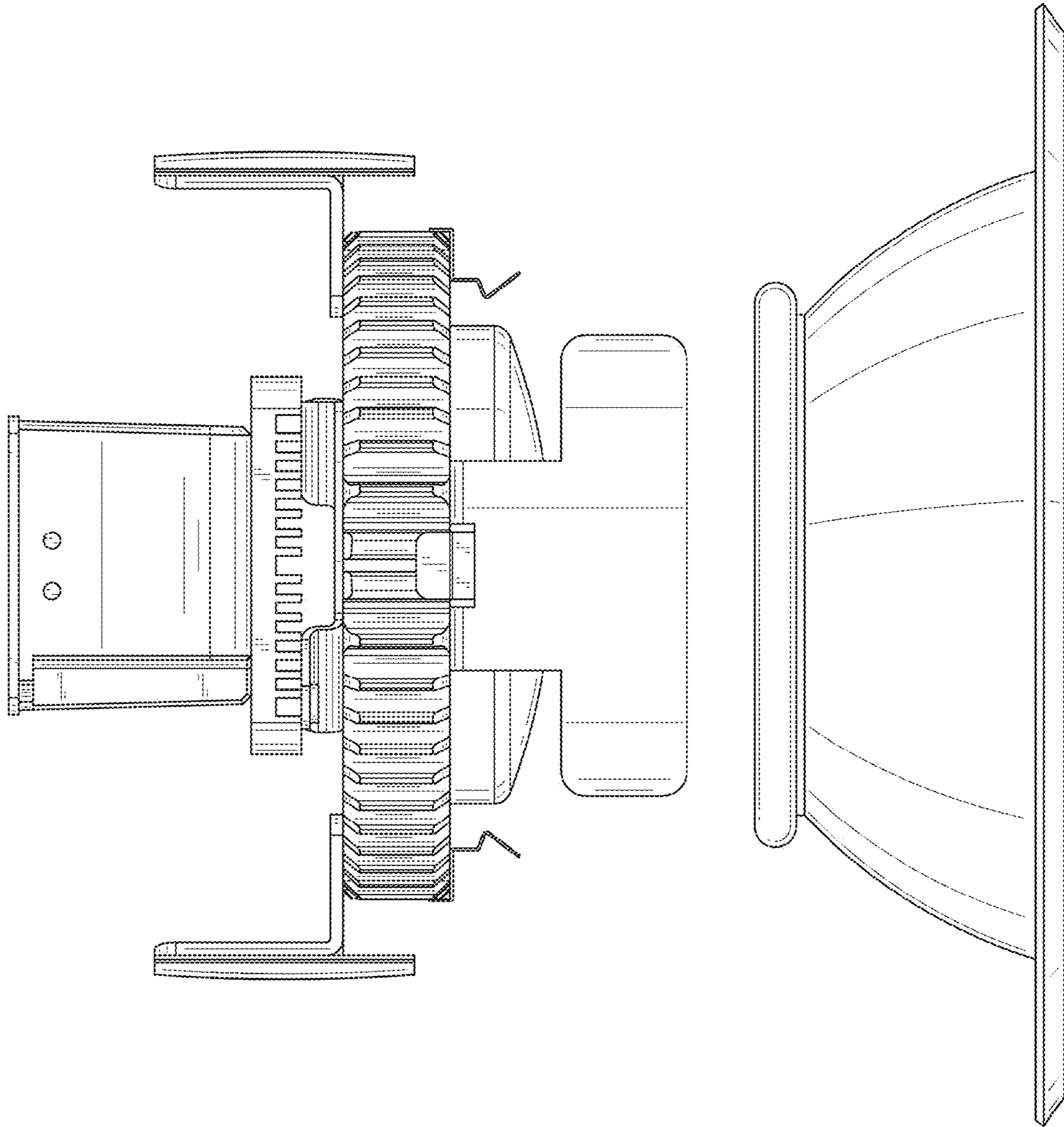


FIG. 10

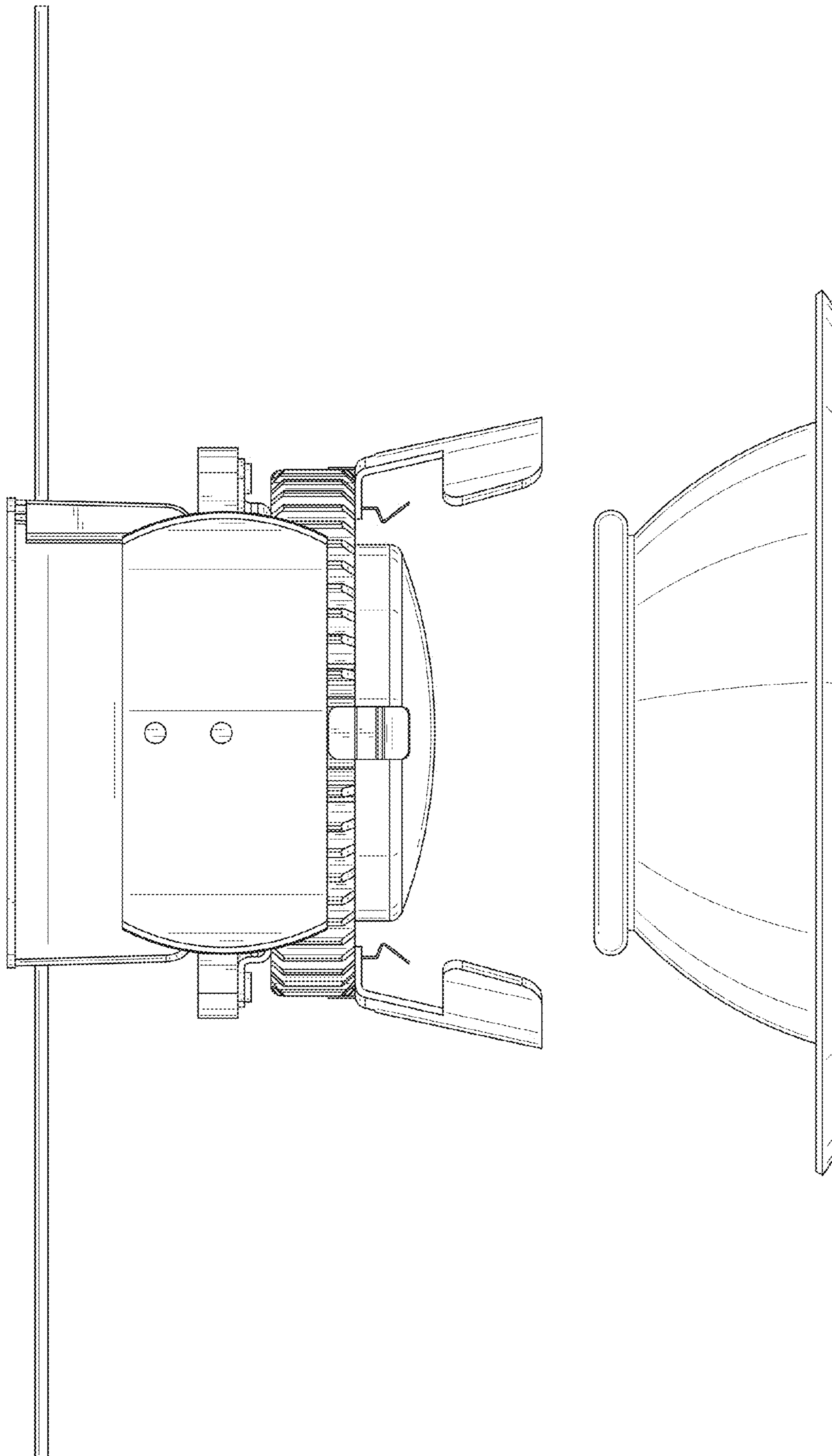


FIG. 11