



US00D938085S

(12) **United States Design Patent** (10) **Patent No.:** **US D938,085 S**
Hollinger (45) **Date of Patent:** **** Dec. 7, 2021**

(54) **LIGHTING FIXTURE**
(71) Applicant: **E. MISHAN & SONS, INC.**, New York, NY (US)
(72) Inventor: **Fred Hollinger**, Monroe Township, NJ (US)
(73) Assignee: **E. MISHAN & SONS, INC.**, New York, NY (US)
(**) Term: **15 Years**
(21) Appl. No.: **29/775,786**
(22) Filed: **Mar. 25, 2021**
(51) **LOC (13) Cl.** **26-05**
(52) **U.S. Cl.**
USPC **D26/67; D26/73**
(58) **Field of Classification Search**
USPC **D26/67-70, 73, 85**
CPC .. **F21S 8/022; F21S 8/032; F21S 8/036; F21S 8/081; F21S 8/083; F21S 8/088; F21S 9/037; F21S 10/046; F21V 21/0824; F21W 2111/02; F21W 2111/023**
See application file for complete search history.

D690,862 S * 10/2013 Desai D26/73
D695,940 S * 12/2013 Desai D26/73
D723,207 S * 2/2015 Wegrzyn D26/73
D898,974 S * 10/2020 Hollinger D26/73
D930,216 S * 9/2021 He D26/67
2018/0149350 A1* 5/2018 Johnson-Gray F21S 9/035

OTHER PUBLICATIONS

String of Four Solar Lighted Butterfly Garden Stakes with Solar Panel Stake, Item No. LT7853 available from windandweather.com as early as Sep. 28, 2020. (Year: 2020).*
eZone Solar Path Lights ASIN: B07VS55DW1 available from amazon.com Jul. 26, 2019. (Year: 2019).*
OxyLED Solar Garden Lights, ASIN: B00KXQFM2M available from amazon.com Dec. 25, 2012. (Year: 2012).*

* cited by examiner

Primary Examiner — Clare E Hefflin

(74) *Attorney, Agent, or Firm* — Notaro, Michalos & Zaccaria P.C.

(57) **CLAIM**

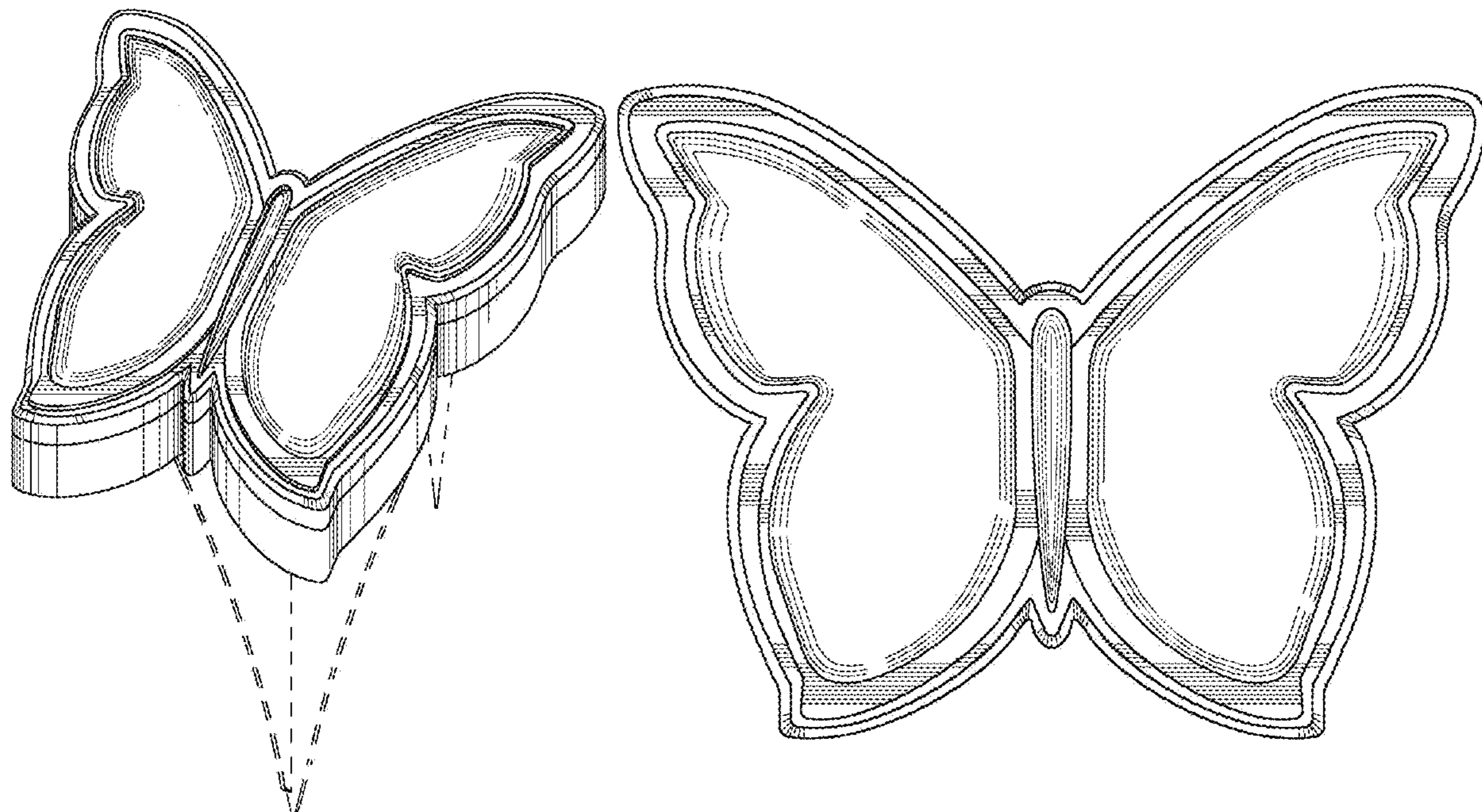
The ornamental design for a lighting fixture, as shown and described.

DESCRIPTION

FIG. 1 is a front perspective view of a lighting fixture showing my design;
FIG. 2 is a front view thereof;
FIG. 3 is a rear view thereof;
FIG. 4 is a right view thereof;
FIG. 5 is a left view thereof;
FIG. 6 is a top view thereof; and,
FIG. 7 is a bottom view thereof.
Throughout the figures, broken lines depict portions of the article that form no part of the claimed design.

1 Claim, 7 Drawing Sheets

(56) **References Cited**
U.S. PATENT DOCUMENTS
D80,473 S * 2/1930 Aloisi D26/98
D195,626 S * 7/1963 Hood D11/137
D381,444 S * 7/1997 Yuen D22/123
5,829,862 A * 11/1998 Ferrell G02B 6/001
362/554
D507,360 S * 7/2005 Yuen D26/26
D562,185 S * 2/2008 van Wingerden D11/117
D623,791 S * 9/2010 Kim D26/73



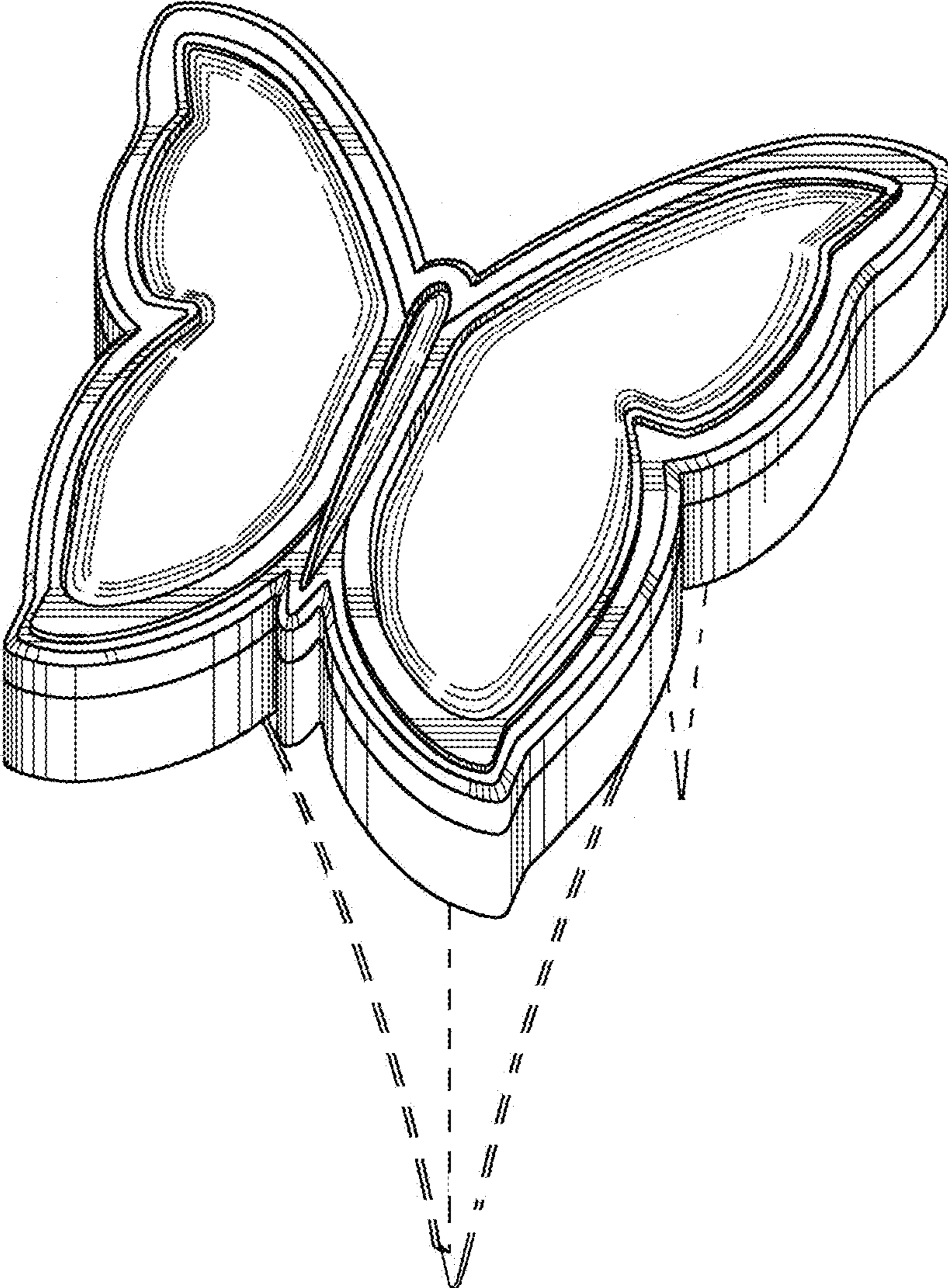


Fig.1

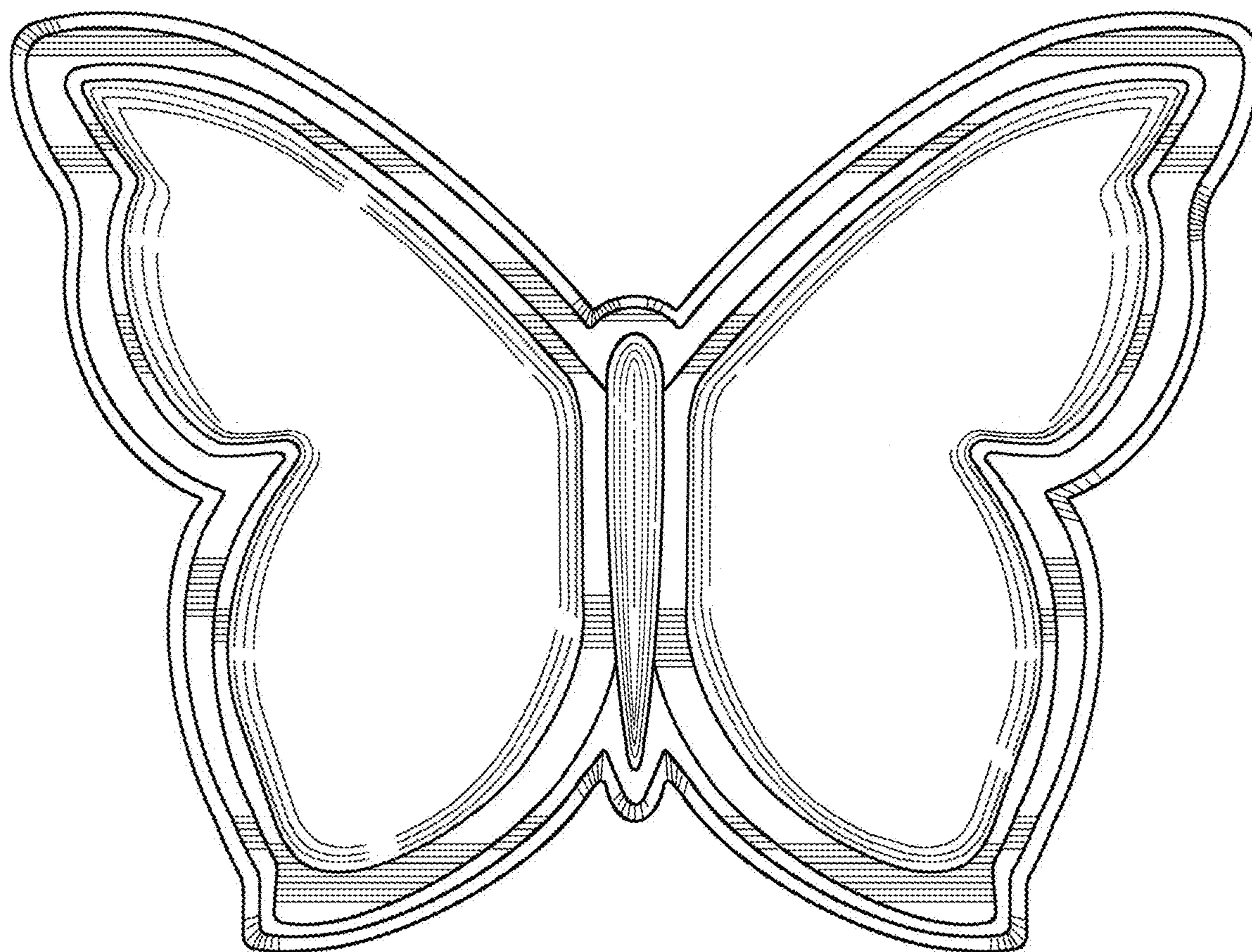


Fig.2

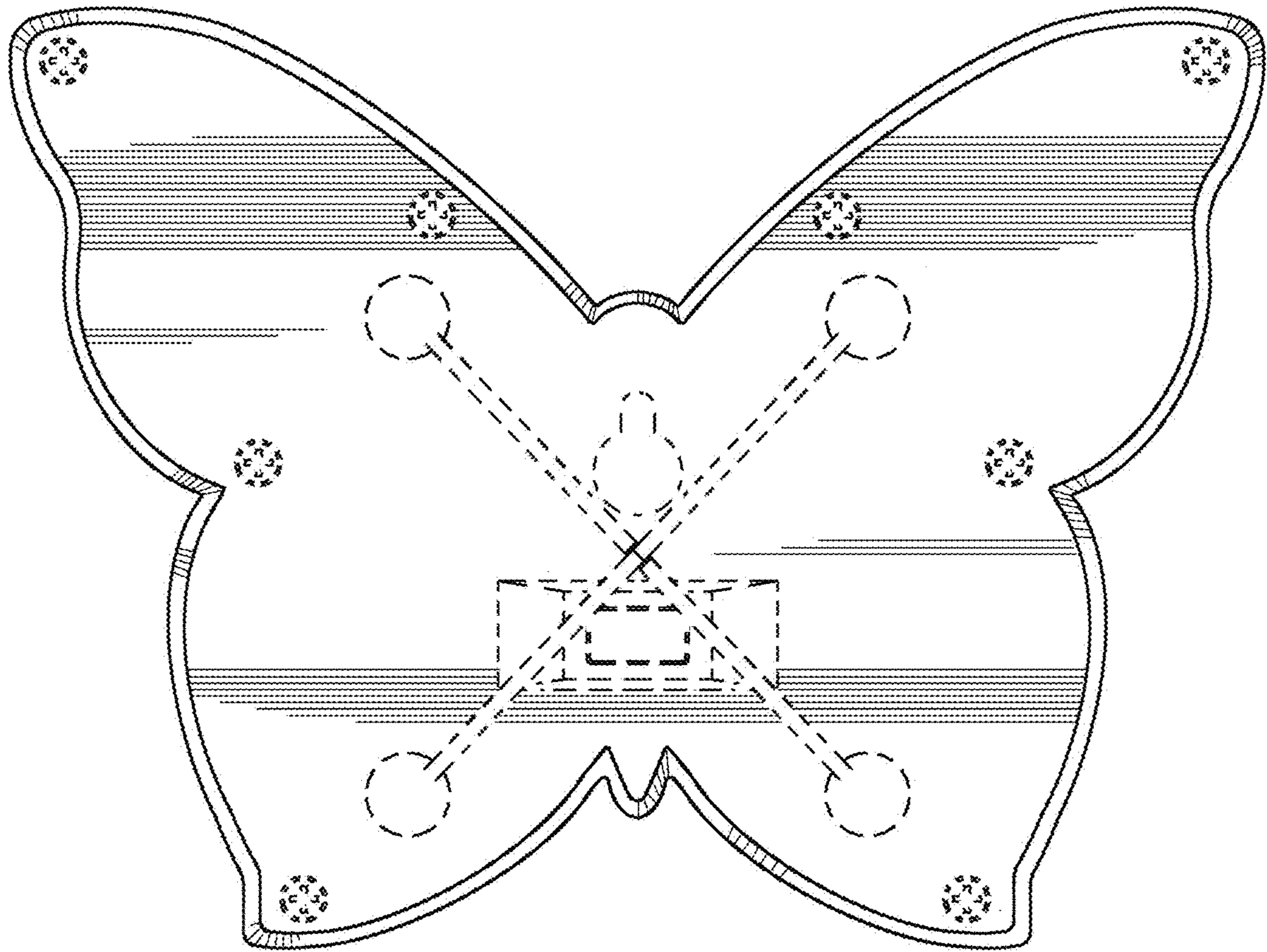


Fig.3

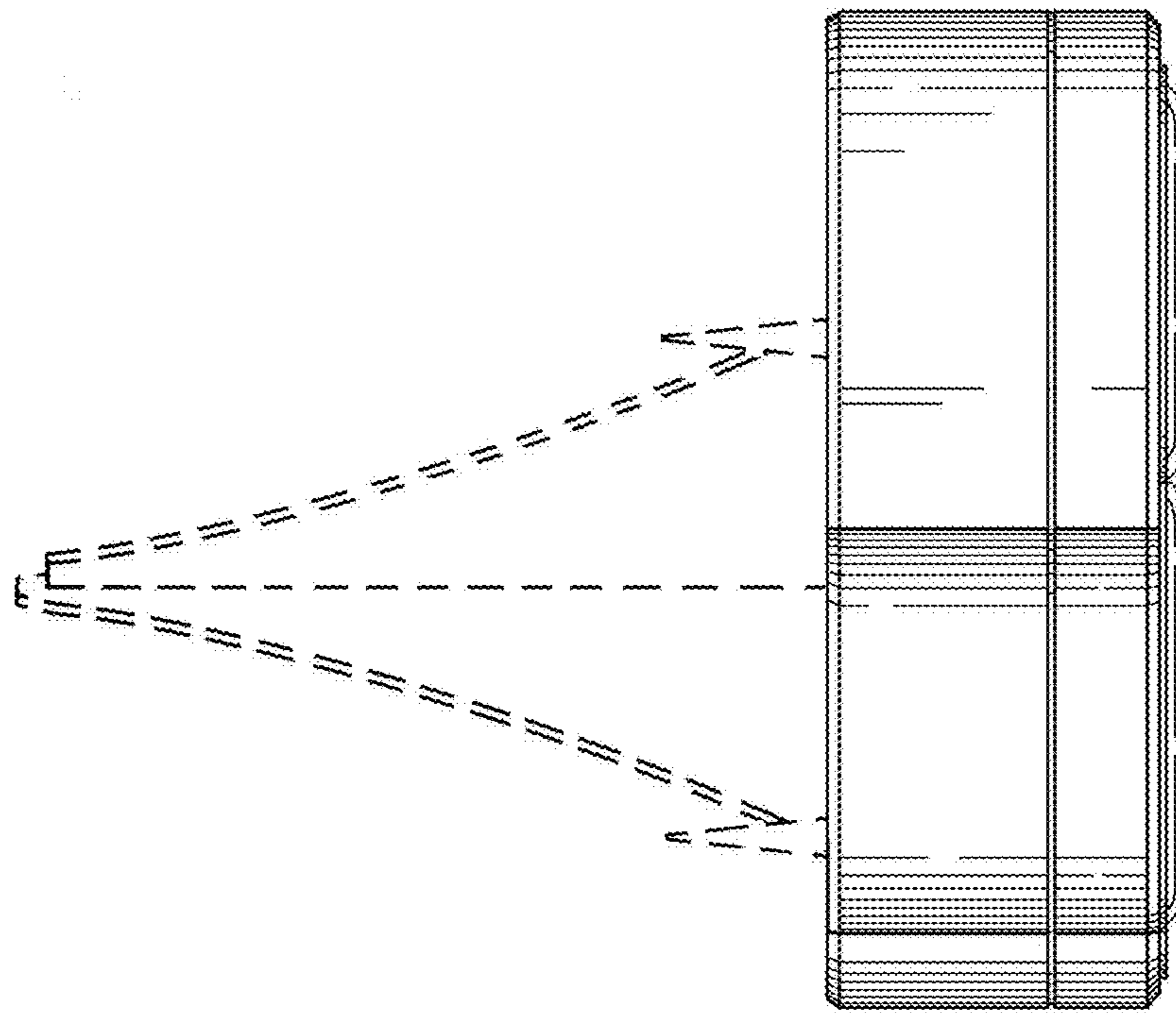


Fig. 4

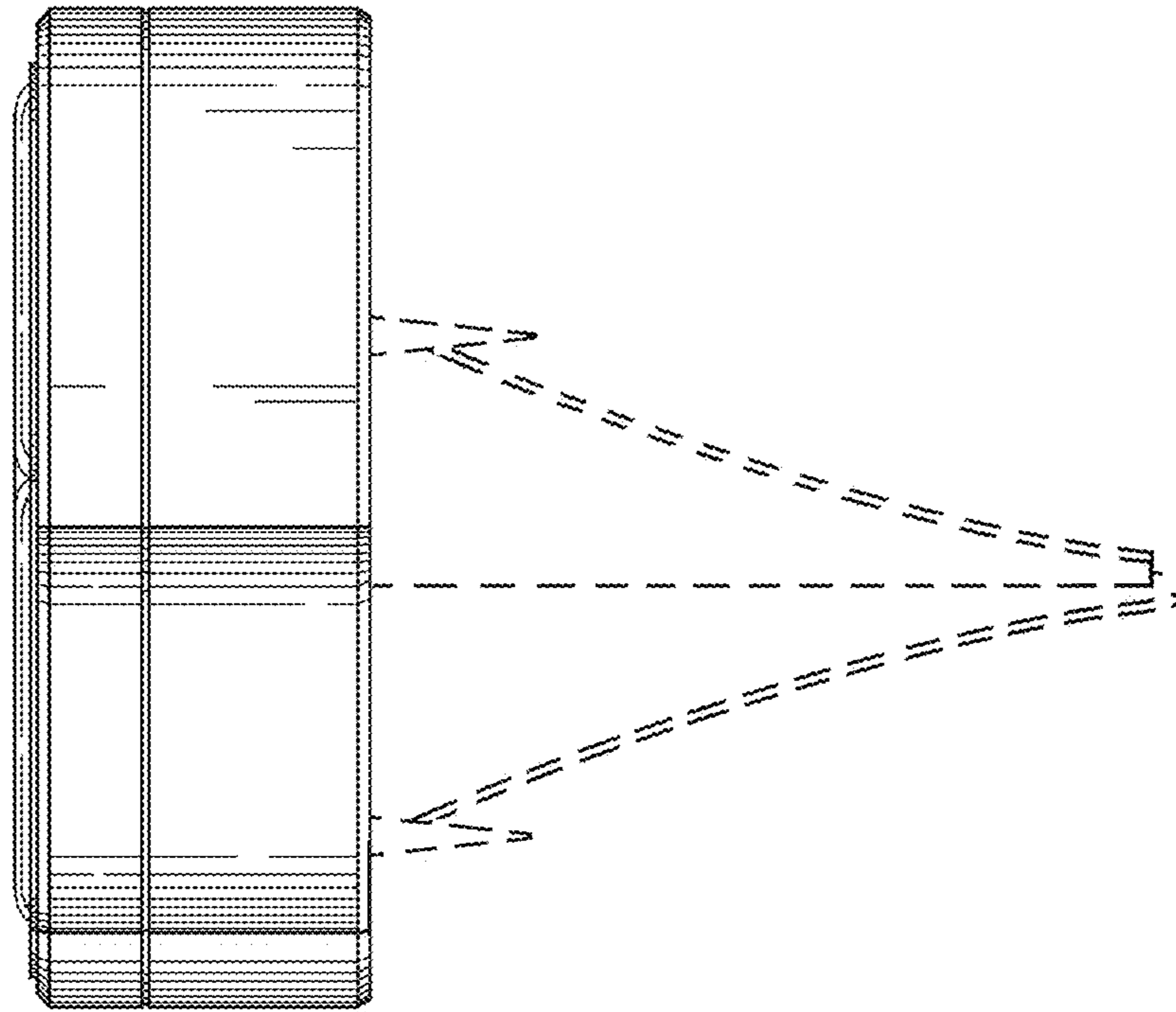


Fig. 5

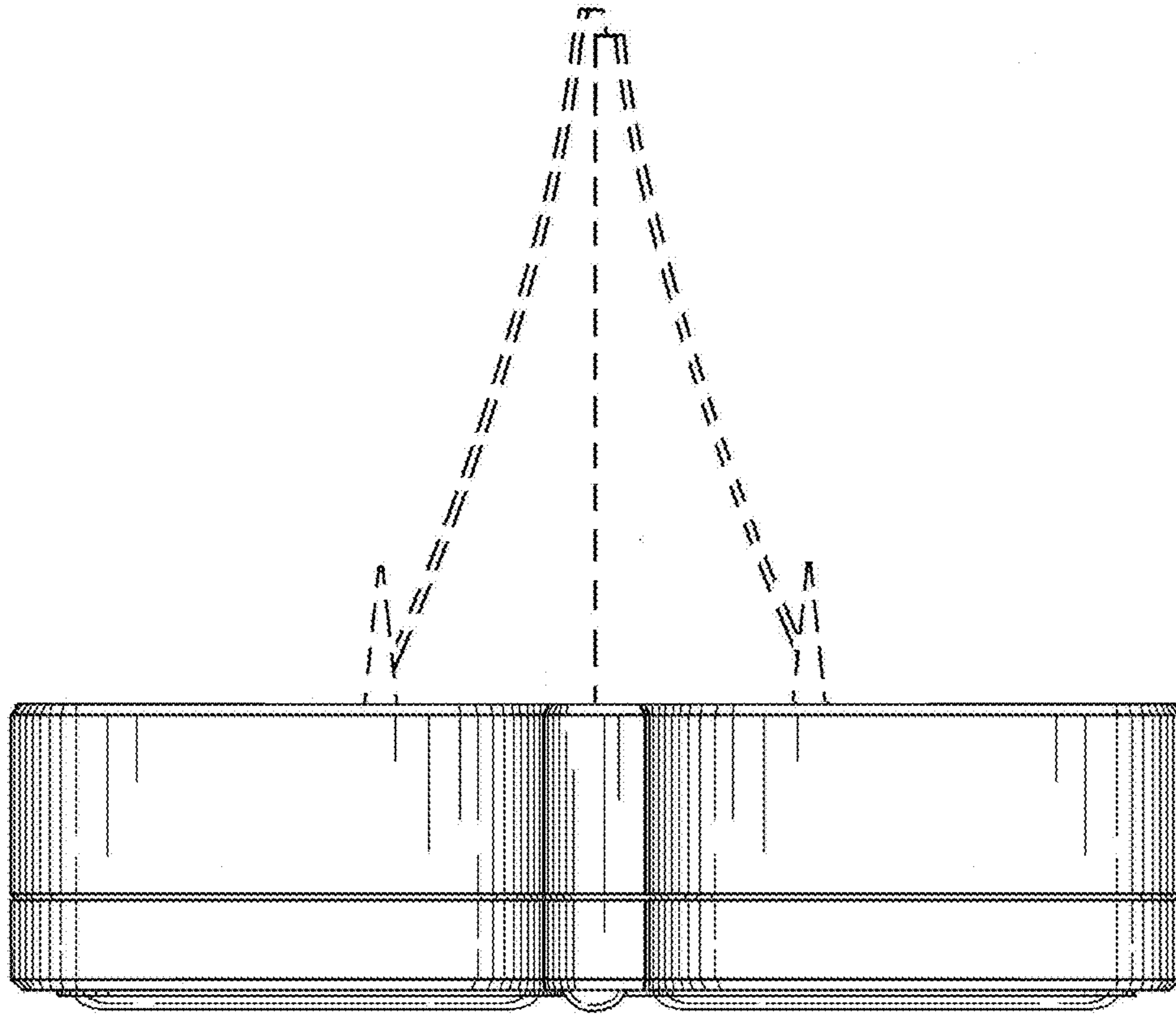


Fig. 6

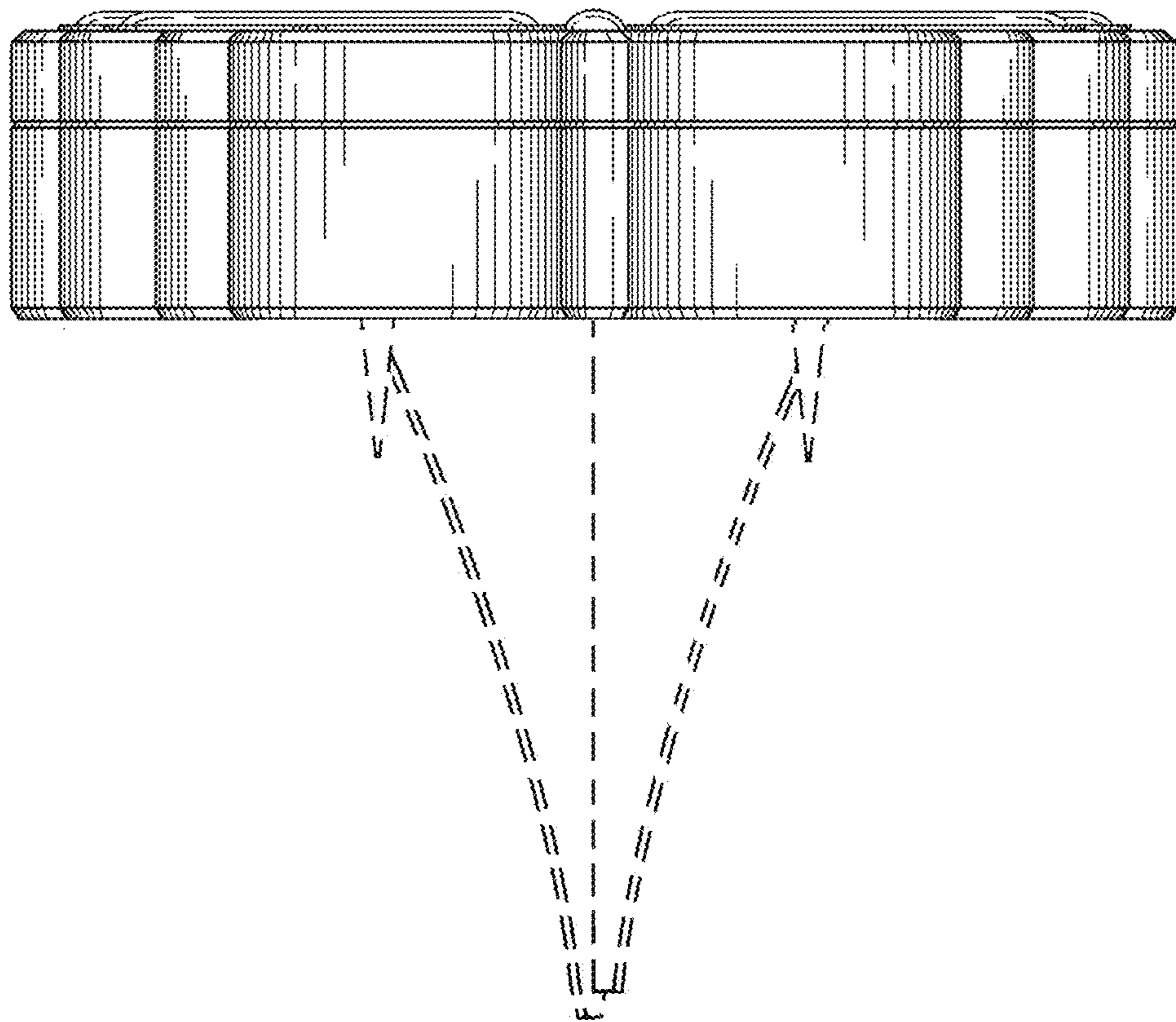


Fig.7