



US00D938084S

(12) **United States Design Patent**
Hollinger

(10) **Patent No.:** **US D938,084 S**

(45) **Date of Patent:** **** Dec. 7, 2021**

(54) **LIGHTING FIXTURE**

(71) Applicant: **E. MISHAN & SONS, INC.**, New York, NY (US)

(72) Inventor: **Fred Hollinger**, Monroe Township, NJ (US)

(73) Assignee: **E. MISHAN & SONS, INC.**, New York, NY (US)

(**) Term: **15 Years**

(21) Appl. No.: **29/775,780**

(22) Filed: **Mar. 25, 2021**

(51) **LOC (13) Cl.** **26-05**

(52) **U.S. Cl.**
USPC **D26/67; D26/73**

(58) **Field of Classification Search**
USPC **D26/67-70, 73, 85**
CPC .. **F21S 8/022; F21S 8/032; F21S 8/036; F21S 8/081; F21S 8/083; F21S 8/088; F21S 9/037; F21S 10/046; F21V 21/0824; F21W 2111/02; F21W 2111/023**
See application file for complete search history.

(56) **References Cited**

U.S. PATENT DOCUMENTS

D74,749 S *	3/1928	Kadel	D26/4
D231,253 S *	4/1974	Klassen	D26/26
3,818,212 A *	6/1974	Rochford	F21S 8/035
			362/644
D381,444 S *	7/1997	Yuen	D22/123
D507,360 S *	7/2005	Yuen	D26/26

D597,648 S *	8/2009	Heflin, III	D23/367
D630,791 S *	1/2011	Wanders	D26/73
D824,565 S *	7/2018	Tsai	D26/73
D838,891 S *	1/2019	Mishan	D26/67
D842,523 S *	3/2019	Mishan	D26/67
D898,974 S *	10/2020	Hollinger	D26/73
D930,216 S *	9/2021	He	D26/67
2018/0149350 A1 *	5/2018	Johnson-Gray	F21S 9/035

OTHER PUBLICATIONS

AIIINY Garden Solar Light for Outdoor Decoration, ASIN: B08T6BTYSF available at amazon.com Apr. 2, 2021. (Year: 2021).*

* cited by examiner

Primary Examiner — Clare E Heflin

(74) *Attorney, Agent, or Firm* — Notaro, Michalos & Zaccaria P.C.

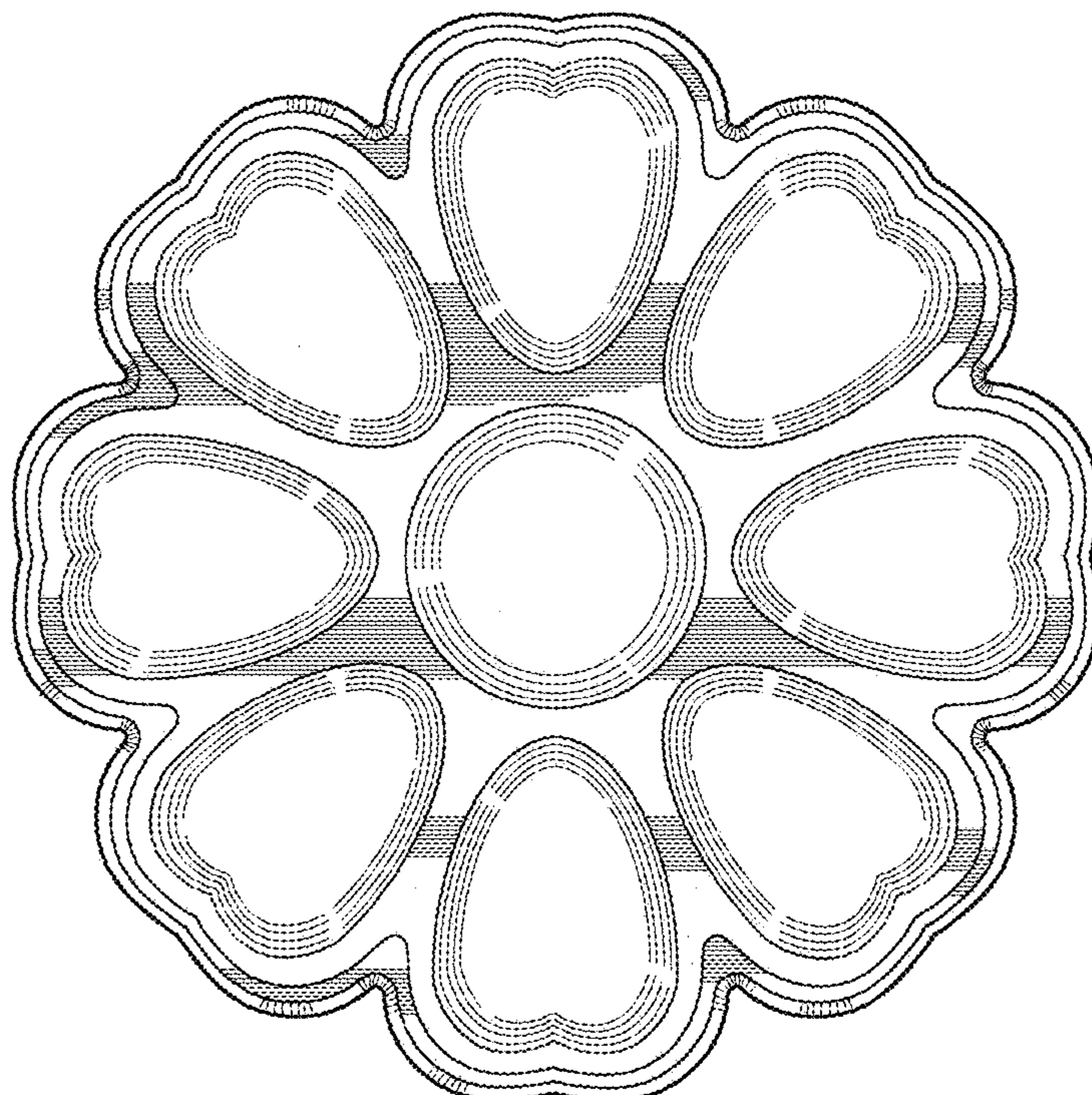
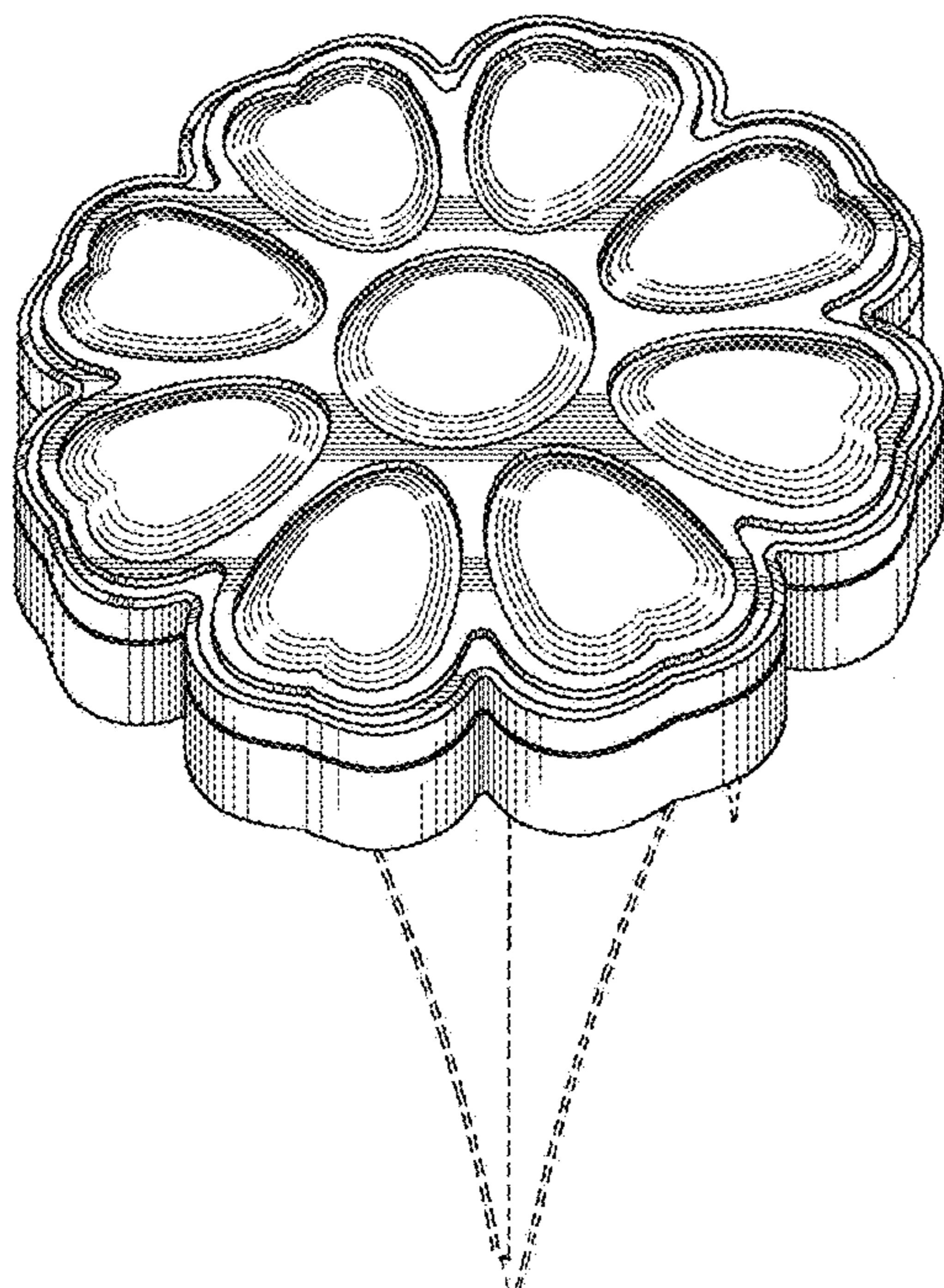
(57) **CLAIM**

The ornamental design for a lighting fixture, as shown and described.

DESCRIPTION

FIG. 1 is a front perspective view of a lighting fixture showing my design;
FIG. 2 is a front view thereof;
FIG. 3 is a rear view thereof;
FIG. 4 is a right view thereof;
FIG. 5 is a left view thereof;
FIG. 6 is a top view thereof; and,
FIG. 7 is a bottom view thereof.
Throughout the figures, broken lines depict portions of the article that form no part of the claimed design.

1 Claim, 7 Drawing Sheets



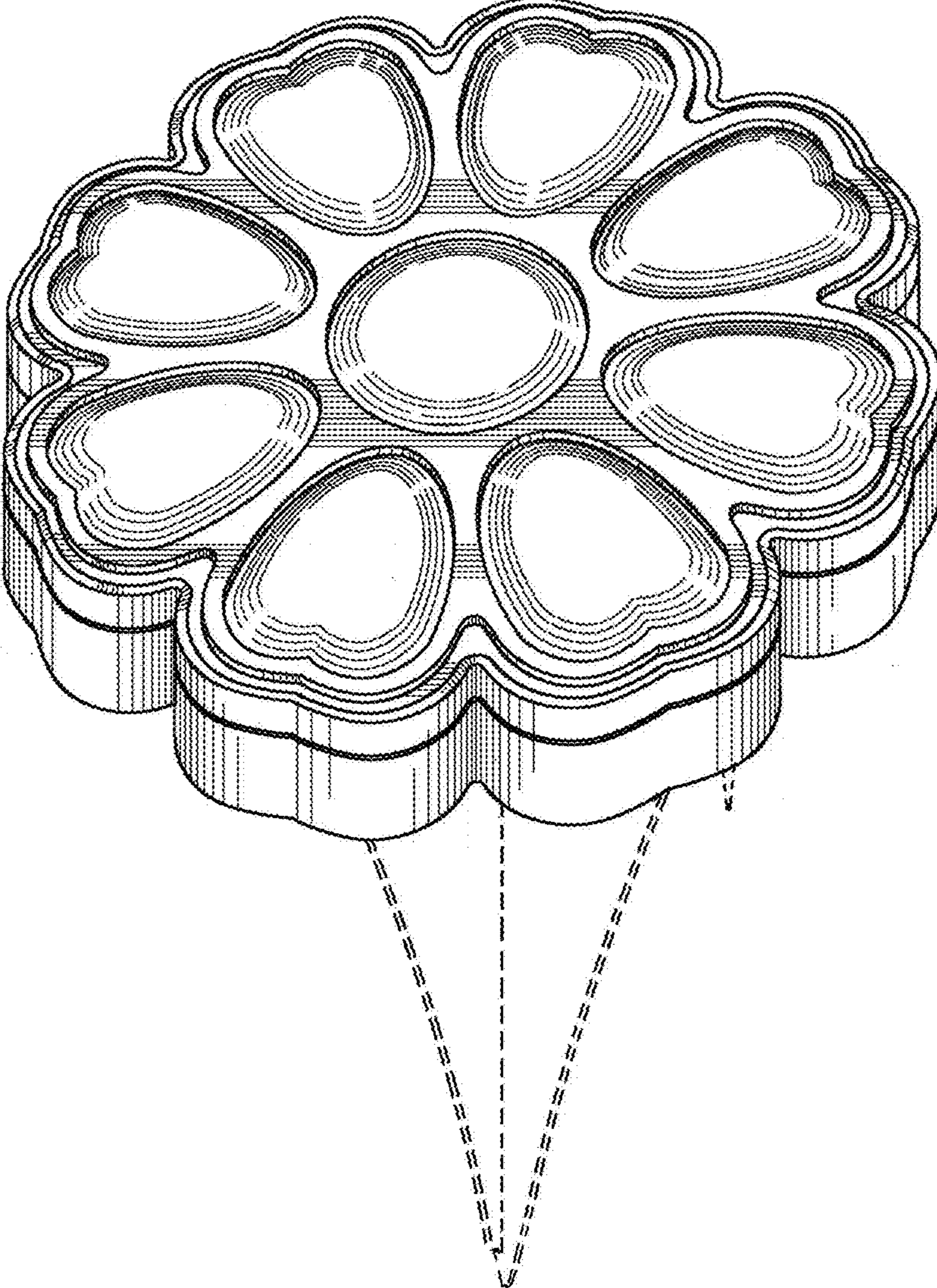


Fig.1

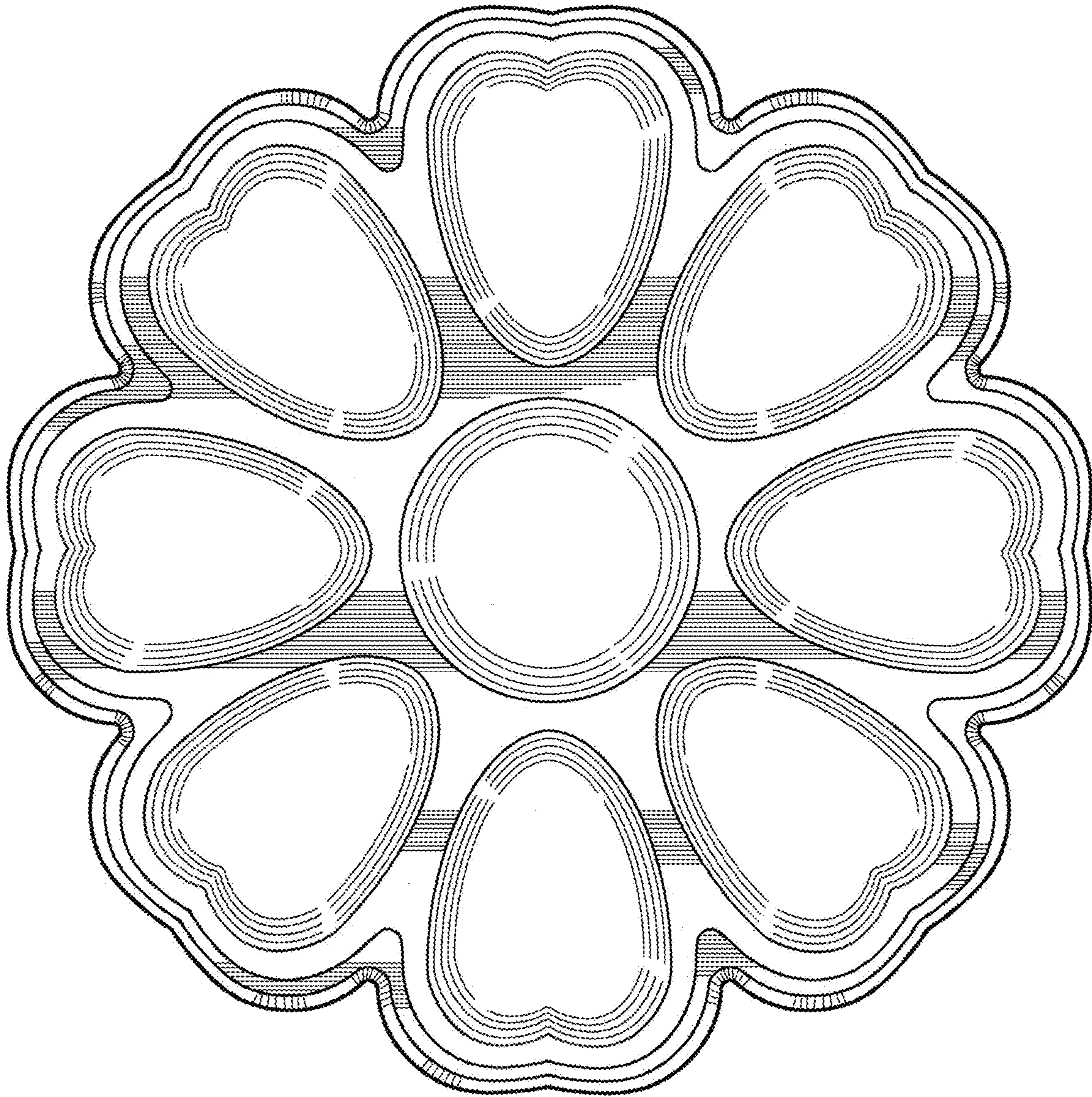


Fig.2

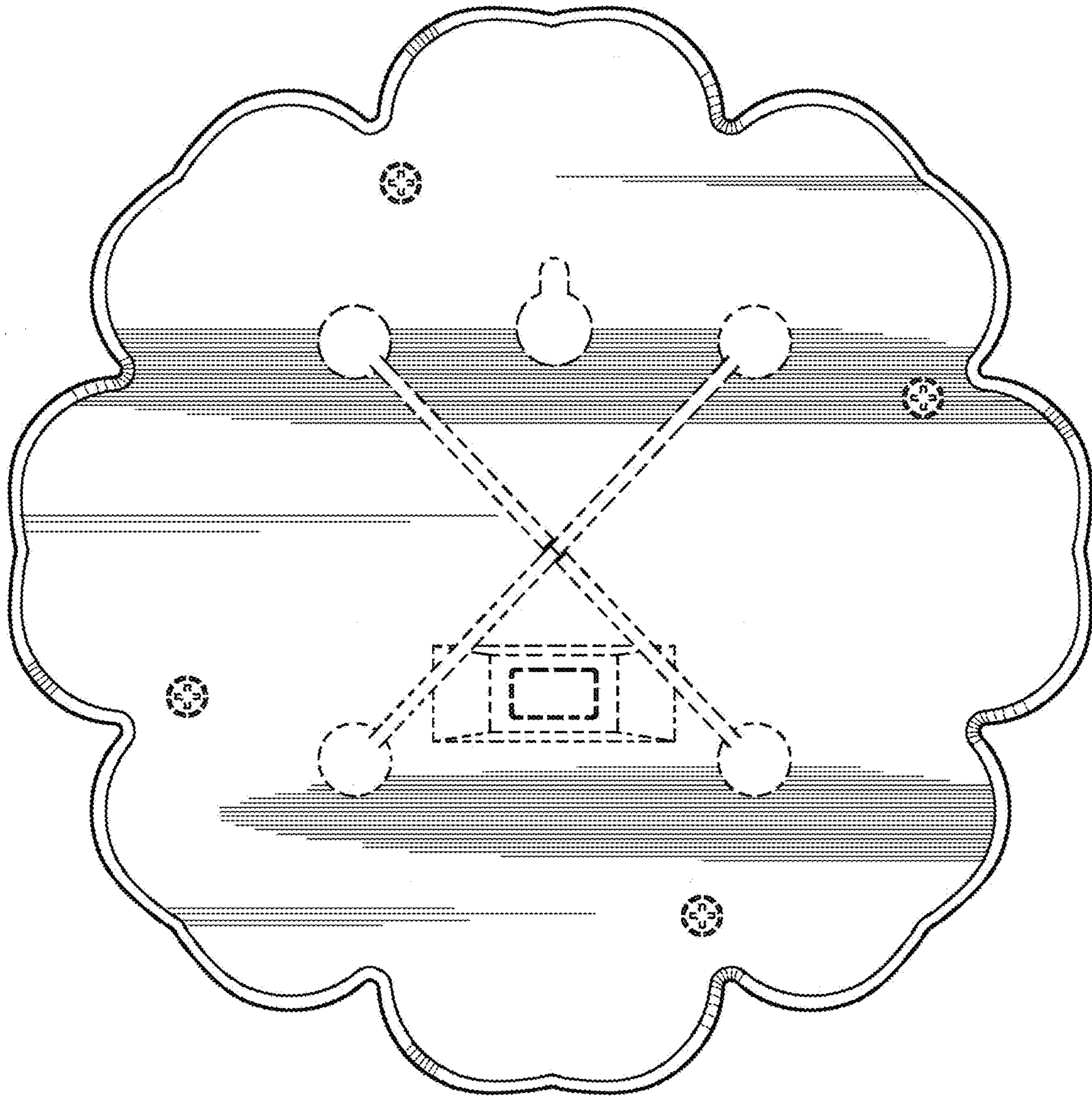


Fig.3

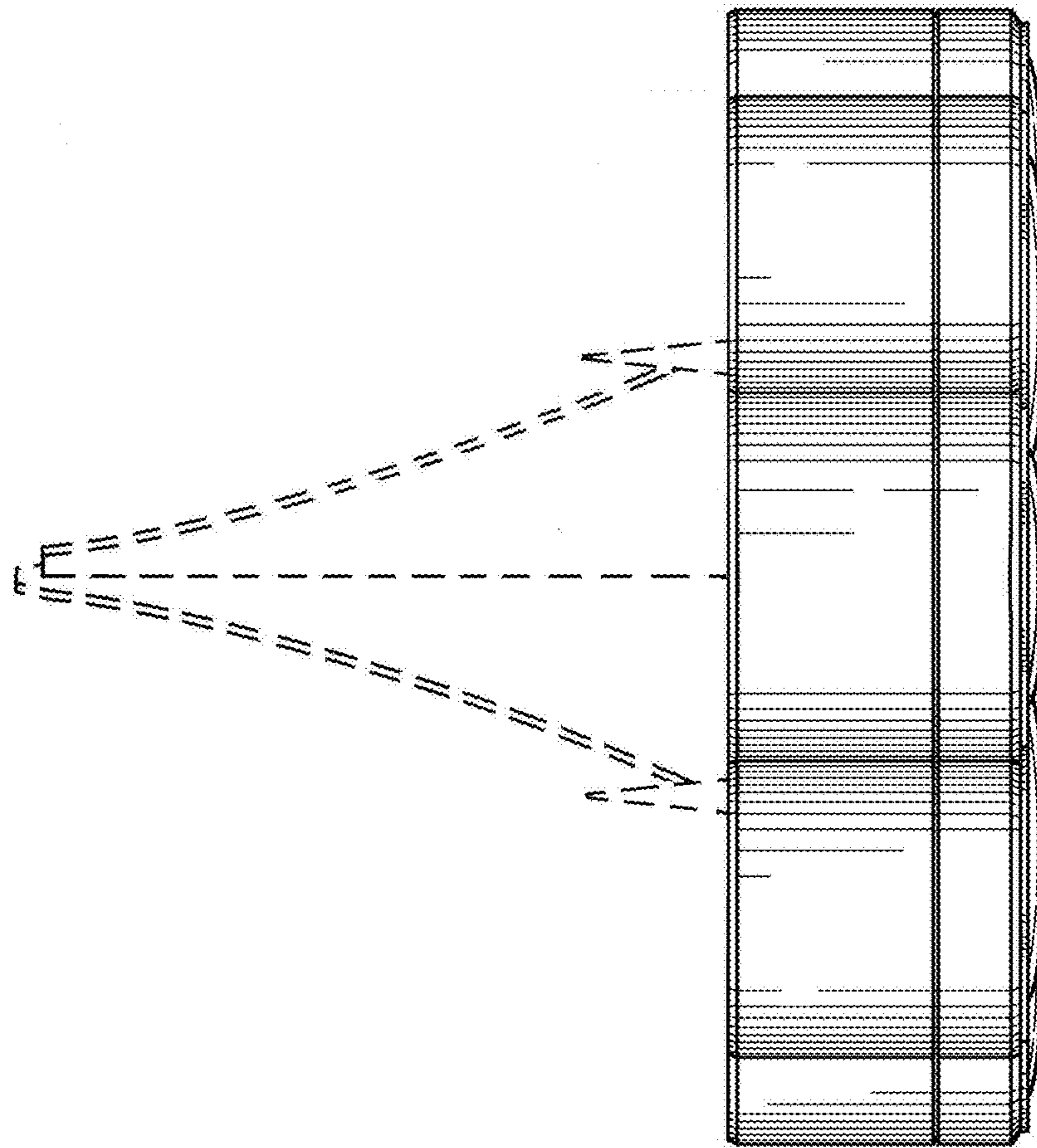


Fig. 4

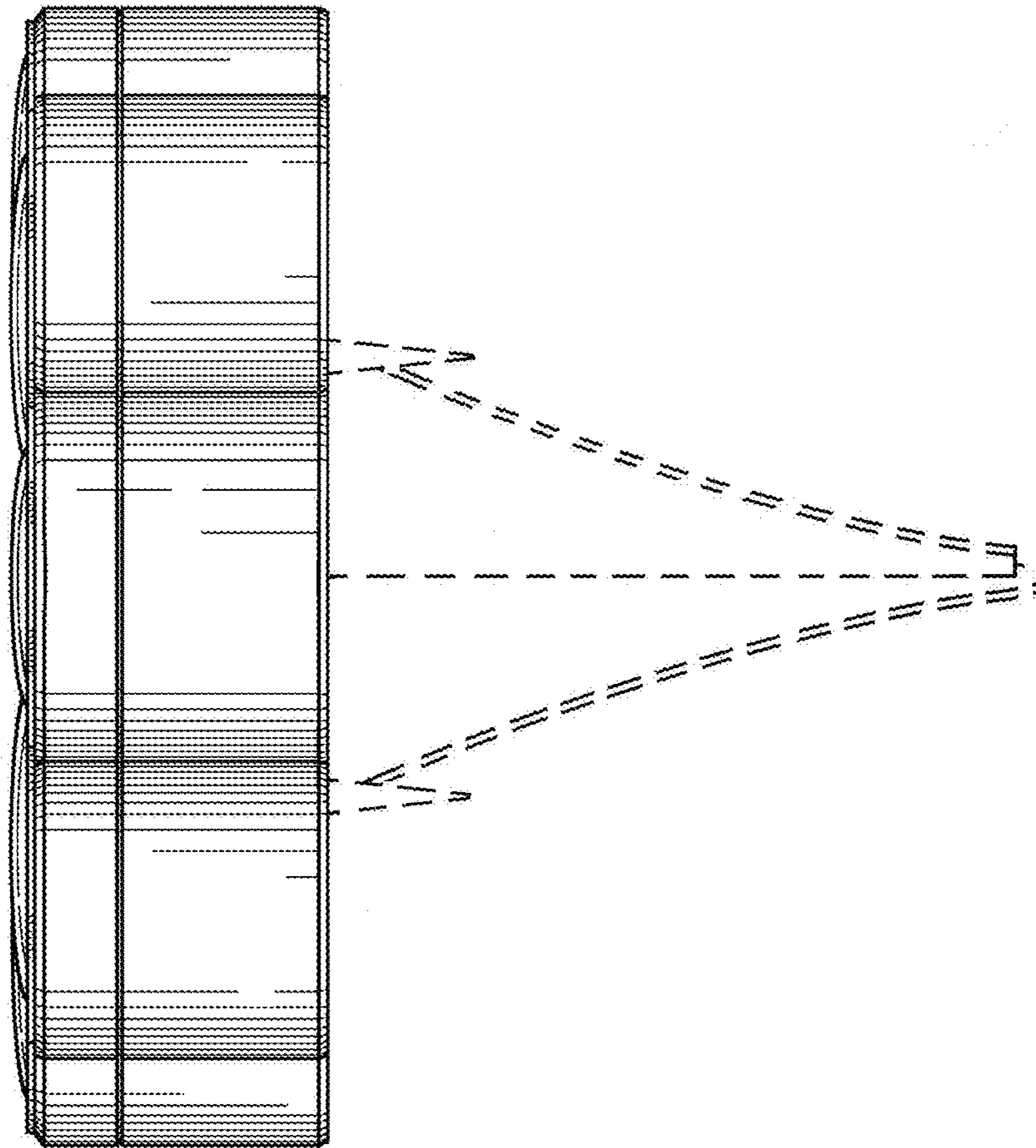


Fig. 5

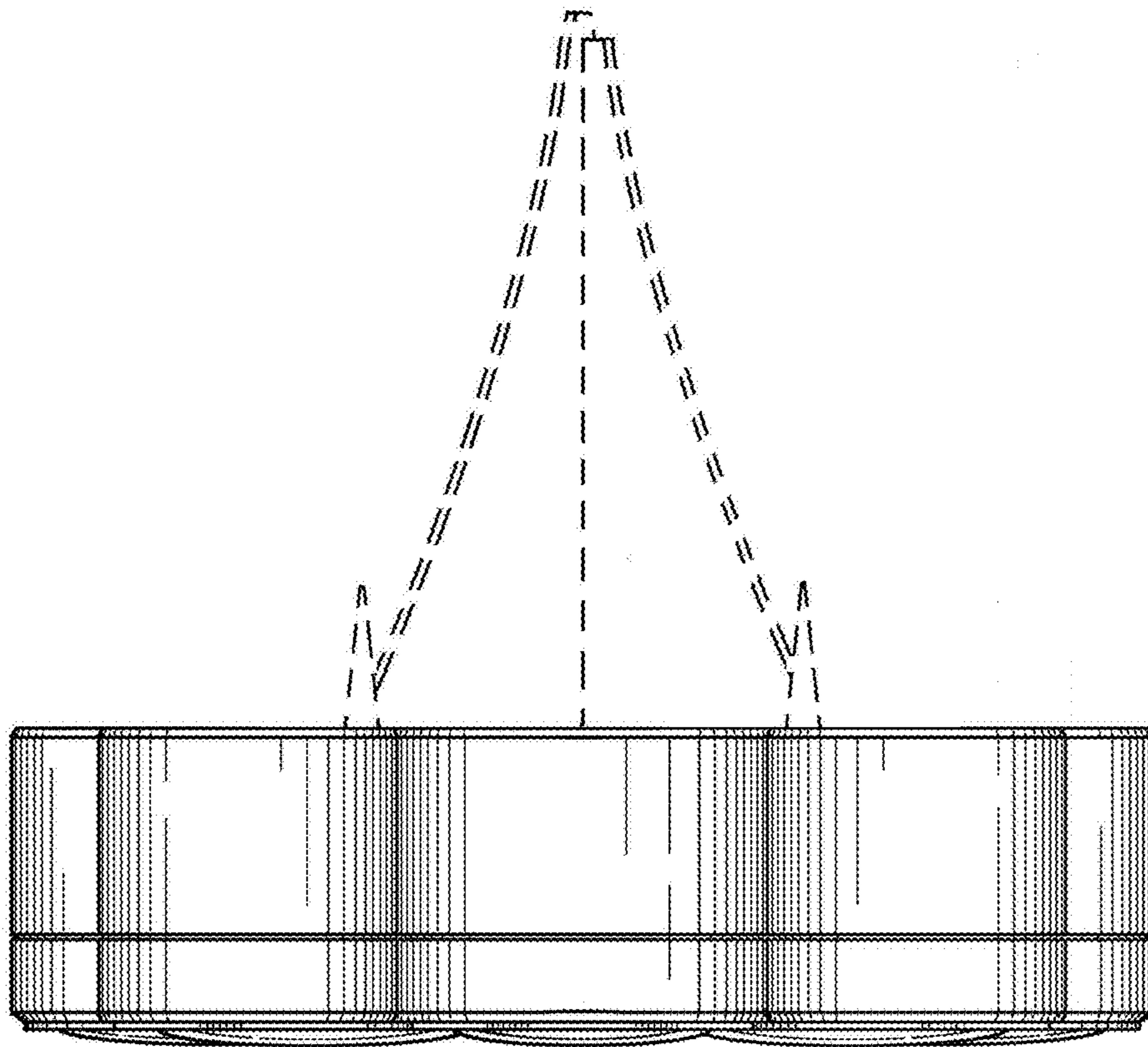


Fig. 6

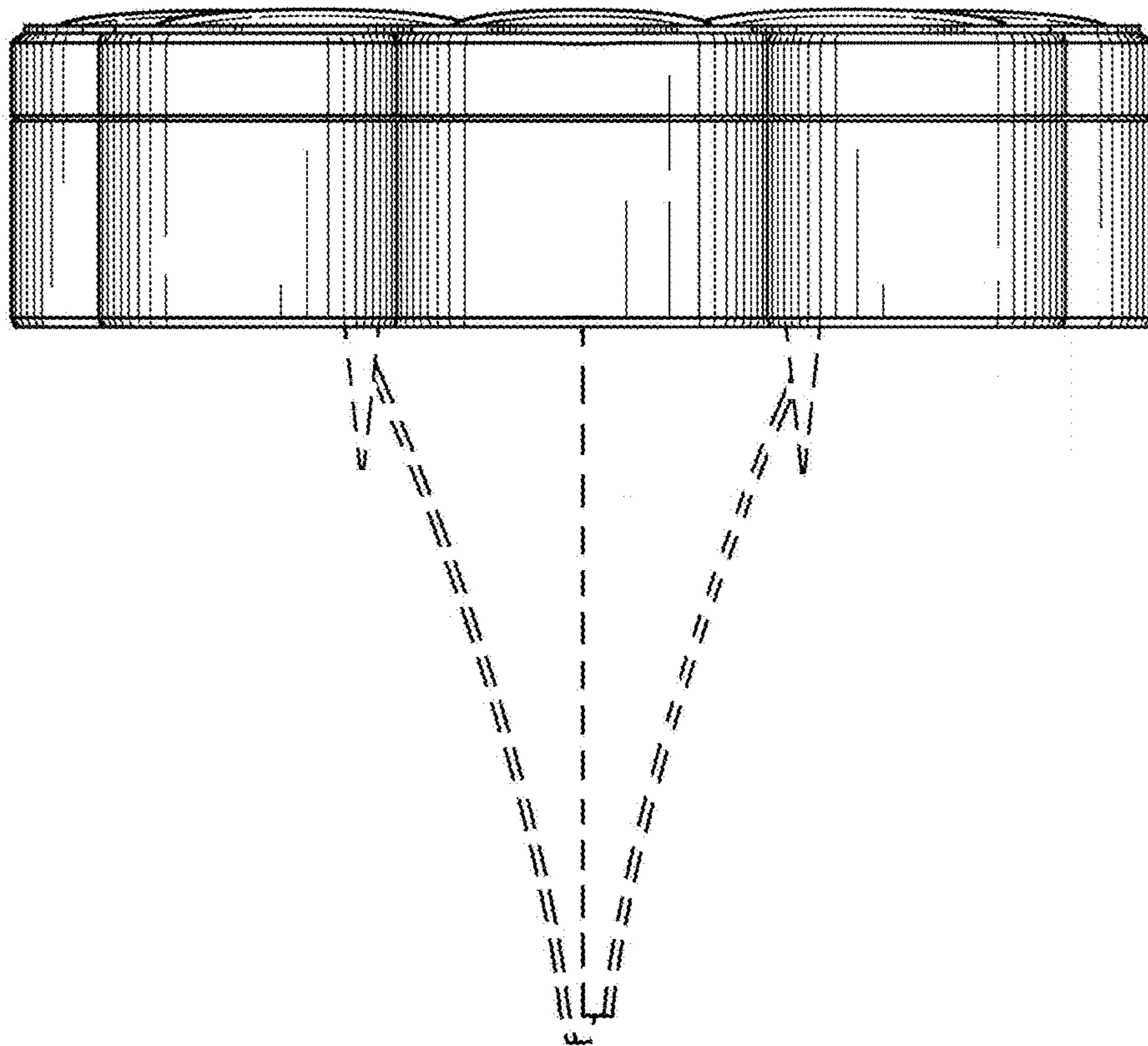


Fig.7