



US00D938083S

(12) **United States Design Patent** (10) **Patent No.:** **US D938,083 S**  
**Cai** (45) **Date of Patent:** **\*\* Dec. 7, 2021**

(54) **SOLAR HOUSE NUMBER PLATE**

- (71) Applicant: **He Cai**, Monrovia, CA (US)
- (72) Inventor: **He Cai**, Monrovia, CA (US)
- (73) Assignee: **Melunar Inc**, Monrovia, CA (US)
- (\*\*) Term: **15 Years**

(21) Appl. No.: **29/770,915**

(22) Filed: **Feb. 17, 2021**

(51) **LOC (13) Cl.** ..... **26-05**

(52) **U.S. Cl.**  
USPC ..... **D26/67**

(58) **Field of Classification Search**  
USPC ..... D26/67-70  
CPC .. F21S 8/081; F21S 8/083; F21S 8/088; F21S 9/03; F21S 9/035; F21S 9/037; F21V 21/0824; F21V 21/26; F21W 2111/02; F21W 2111/023; F21W 2131/109  
See application file for complete search history.

(56) **References Cited**

**U.S. PATENT DOCUMENTS**

- 4,835,664 A \* 5/1989 Wen ..... F21S 9/037  
136/291
- 4,903,172 A \* 2/1990 Schoniger ..... G09F 13/20  
362/612
- 5,101,329 A \* 3/1992 Doyle ..... F21S 9/037  
362/183
- D359,076 S 6/1995 Dorp
- 5,570,000 A \* 10/1996 Kowalski ..... F21S 8/033  
322/1
- D482,402 S \* 11/2003 Burns ..... D20/17
- 6,799,716 B1 \* 10/2004 Kuelbs ..... A47G 29/12095  
232/39
- D887,059 S \* 6/2020 Liu ..... D26/63

**FOREIGN PATENT DOCUMENTS**

- DE 29720474 U1 \* 2/1998 ..... F21V 33/006
- DE 102007036109 A1 \* 2/2009 ..... F21S 9/037

**OTHER PUBLICATIONS**

Percompile House Nos. Solar Powered, ASIN: B08TC3VVRQ available from amazon.com Jan. 19, 2021. (Year: 2021).\*

EnSoleille Solar Lighted House Numbers for Outside, ASIN: B0983GLJ6C available from amazon.com Jun. 28, 2021. (Year: 2021).\*

Amazon.com,LeiDrail House Numbers Solar Powered Address Sign LED Illuminated Outdoor Metal Plaque Lighted Up for Home Yard Street,available at <https://www.amazon.com/LeiDrail-Address-Numbers-Reflective-Illuminated/dp/B07HQ5CCHY>, accessed on Mar. 10, 2021.

Amazon.com, House Numbers Plaque, Homlux Solar Powered LED Light . . . , available at [https://www.amazon.com/Numbers-Powered-Address-Waterproof-Stickers-Black/dp/B08FT13J2L/ref=sr\\_1\\_1\\_sspa?dchild=1&keywords=homlux+-solar+powered&qid=1615360031&sr=8-1spons&psc=1&smid=A1JM1](https://www.amazon.com/Numbers-Powered-Address-Waterproof-Stickers-Black/dp/B08FT13J2L/ref=sr_1_1_sspa?dchild=1&keywords=homlux+-solar+powered&qid=1615360031&sr=8-1spons&psc=1&smid=A1JM1), accessed on Mar. 10, 2021.

\* cited by examiner

*Primary Examiner* — Clare E Heflin

(57) **CLAIM**

The ornamental design for a solar house number plate, as shown and described.

**DESCRIPTION**

FIG. 1 is a front perspective view of a solar house number plate, showing my new design;

FIG. 2 is a rear perspective view thereof;

FIG. 3 is a front elevation view thereof;

FIG. 4 is a rear elevation view thereof;

FIG. 5 is a left side elevation view thereof;

FIG. 6 is a right side elevation view thereof;

FIG. 7 is a top plan view thereof;

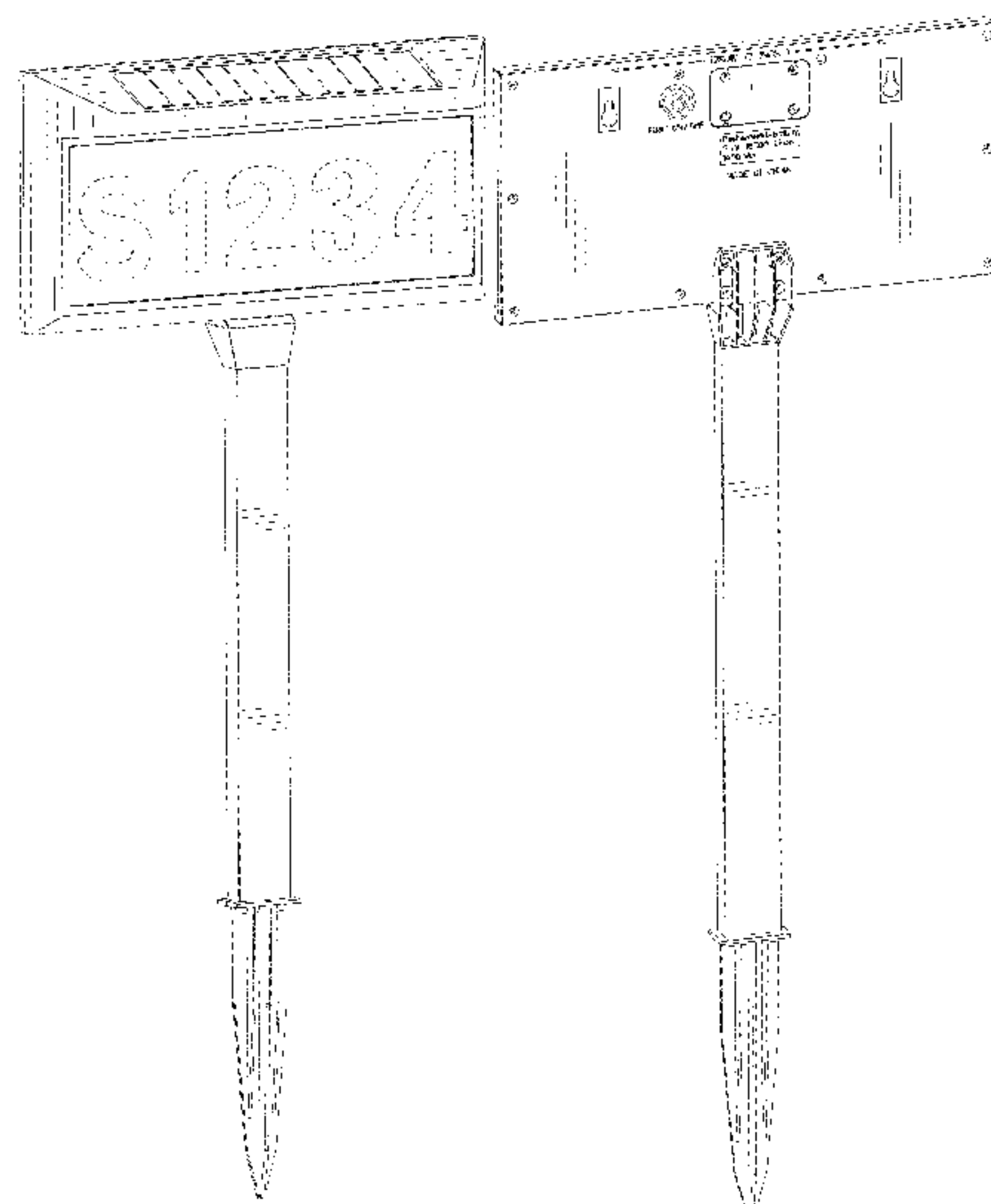
FIG. 8 is a bottom plan view thereof;

FIG. 9 is an exploded left side perspective view thereof; and,

FIG. 10 is an exploded rear perspective view thereof.

The broken lines in the figures depict the portions of the article that form no part of the claimed design.

**1 Claim, 9 Drawing Sheets**



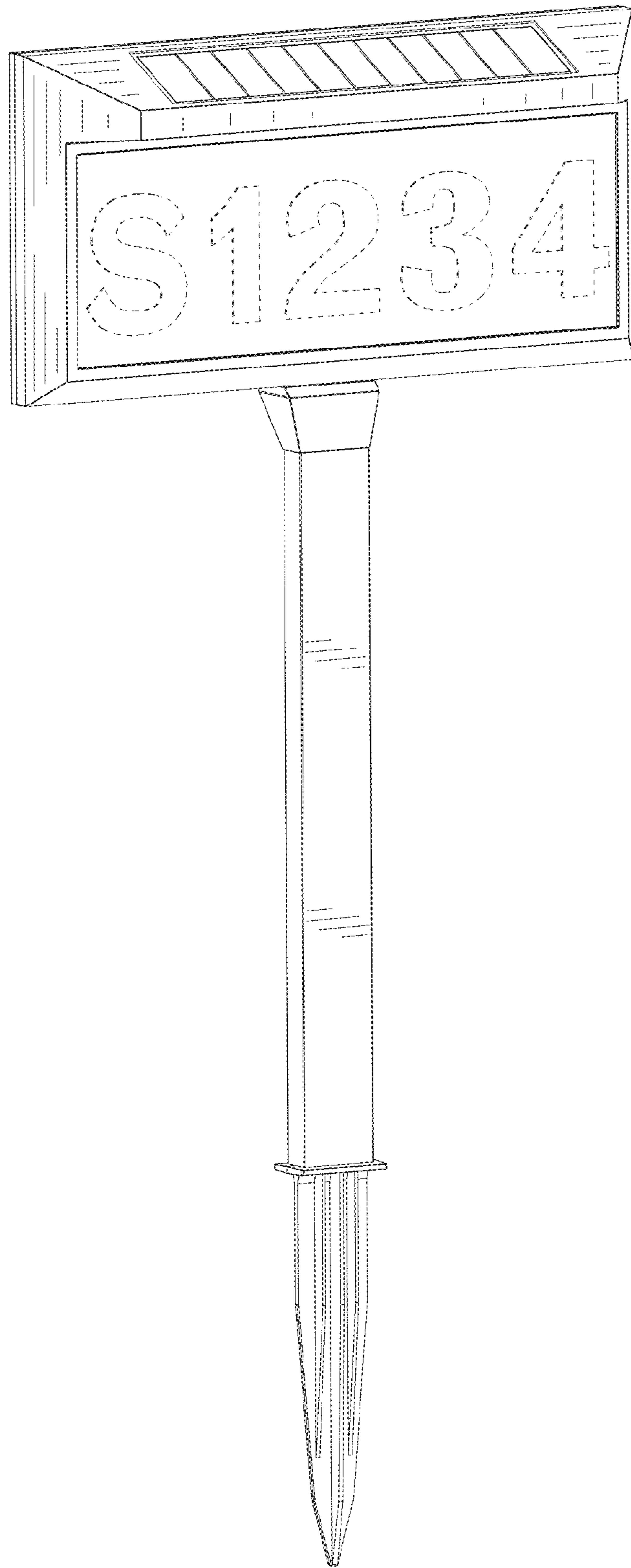


FIG. 1

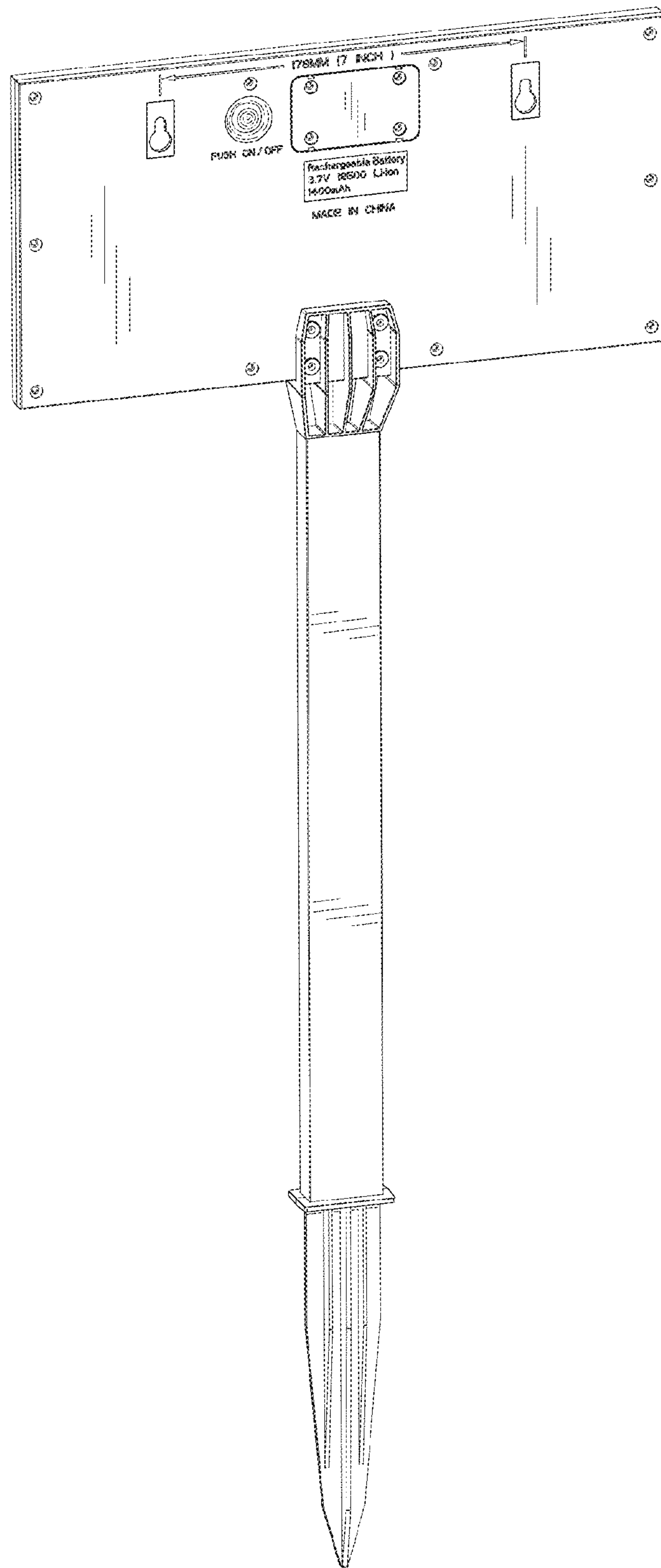


FIG. 2

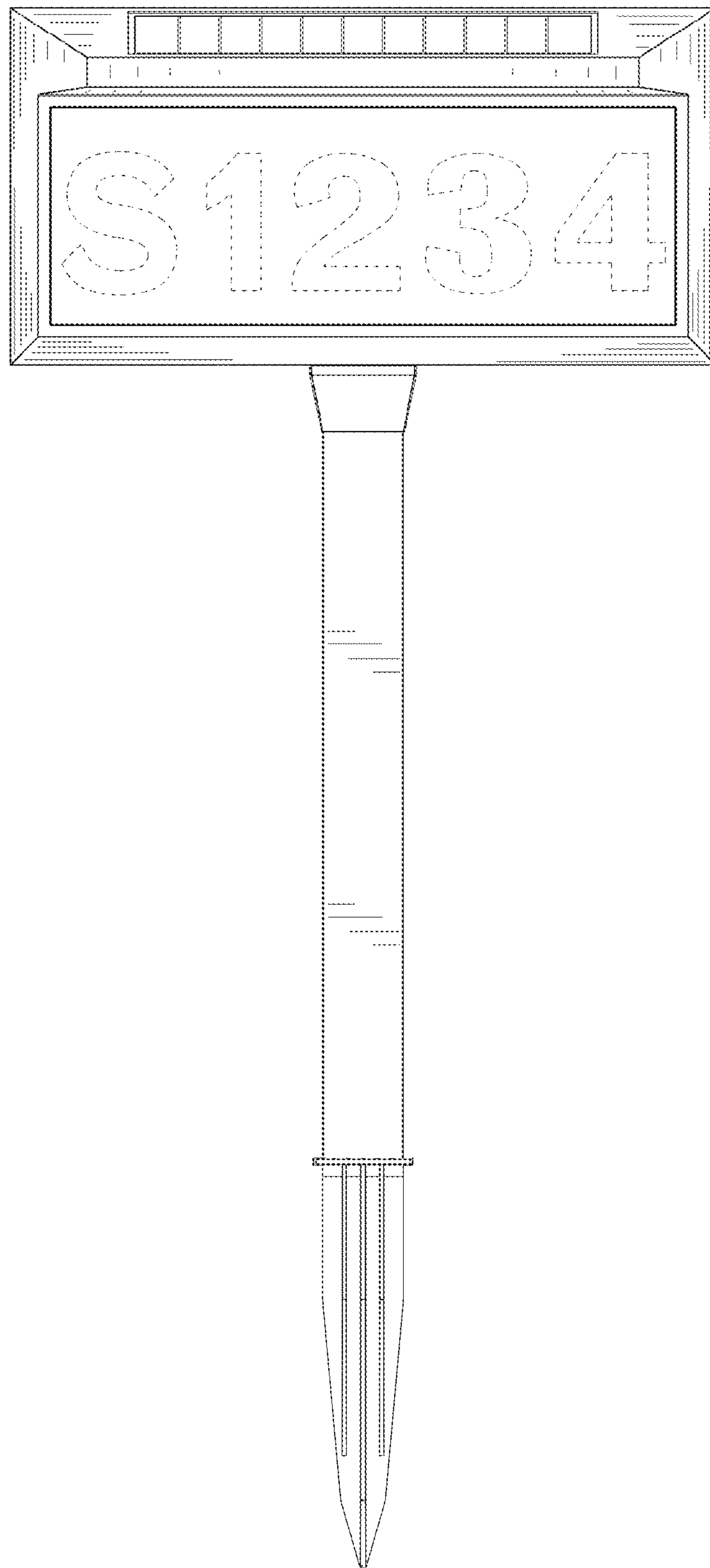


FIG. 3

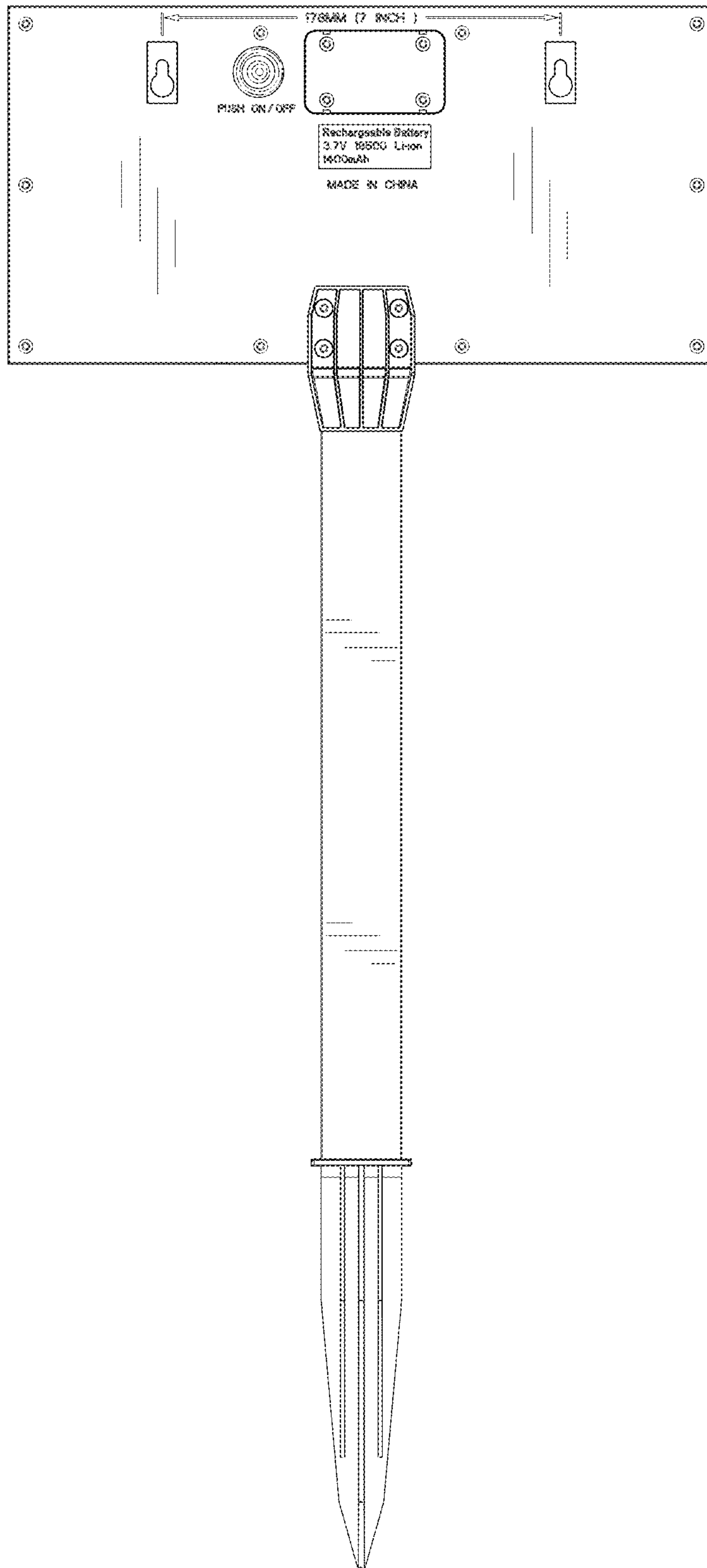


FIG. 4

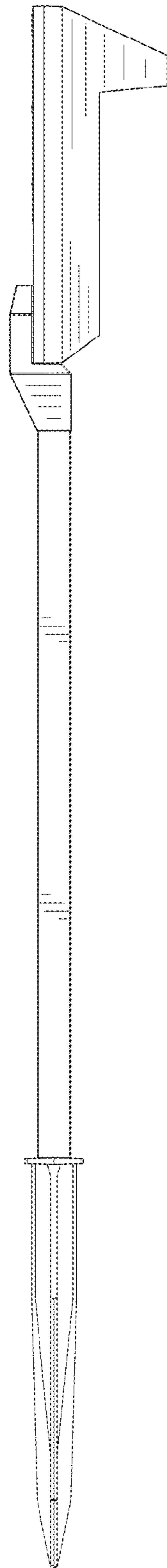


FIG. 5

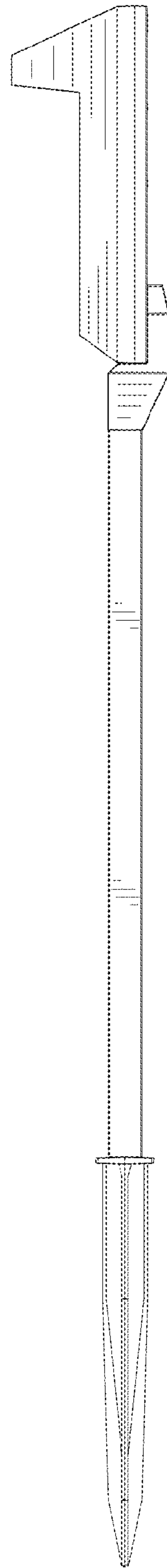


FIG. 6



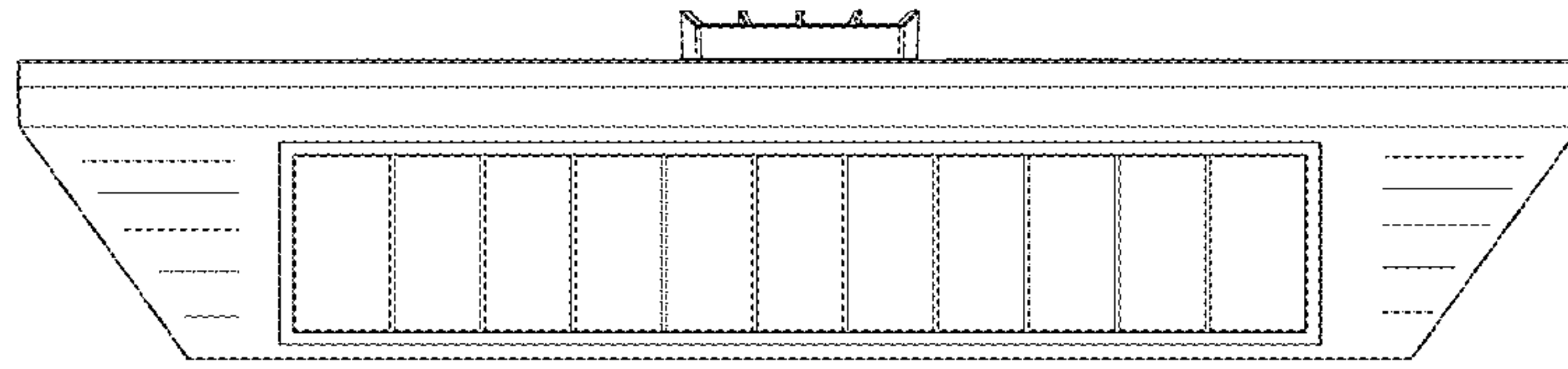


FIG. 7

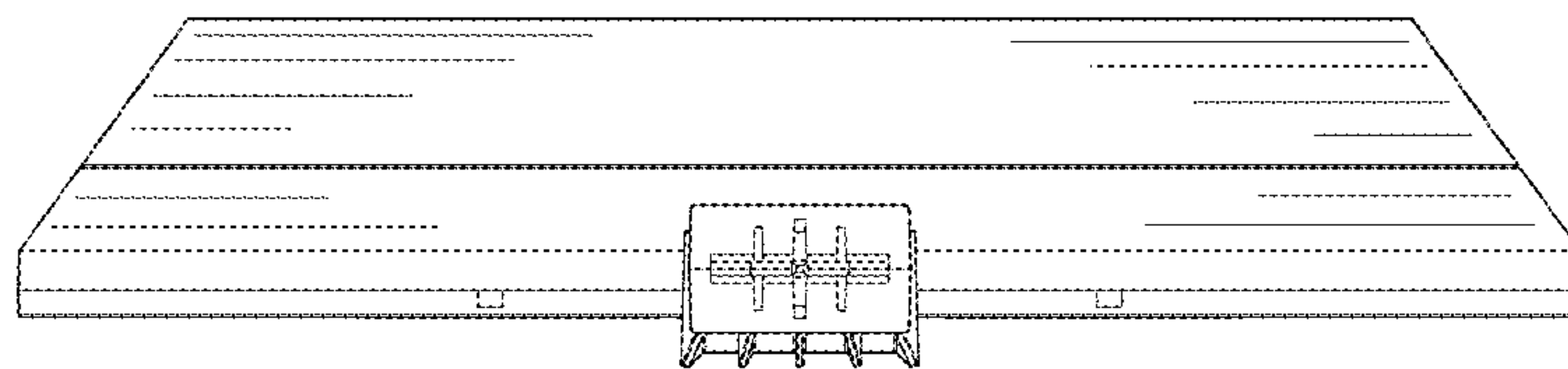


FIG. 8



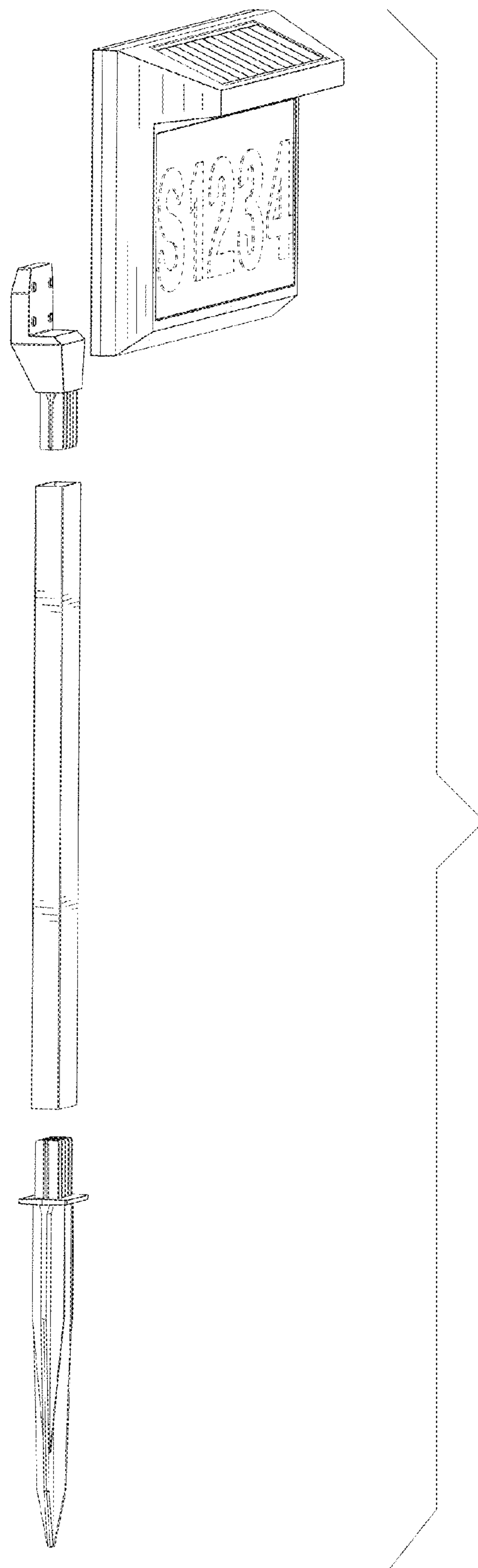


FIG. 9

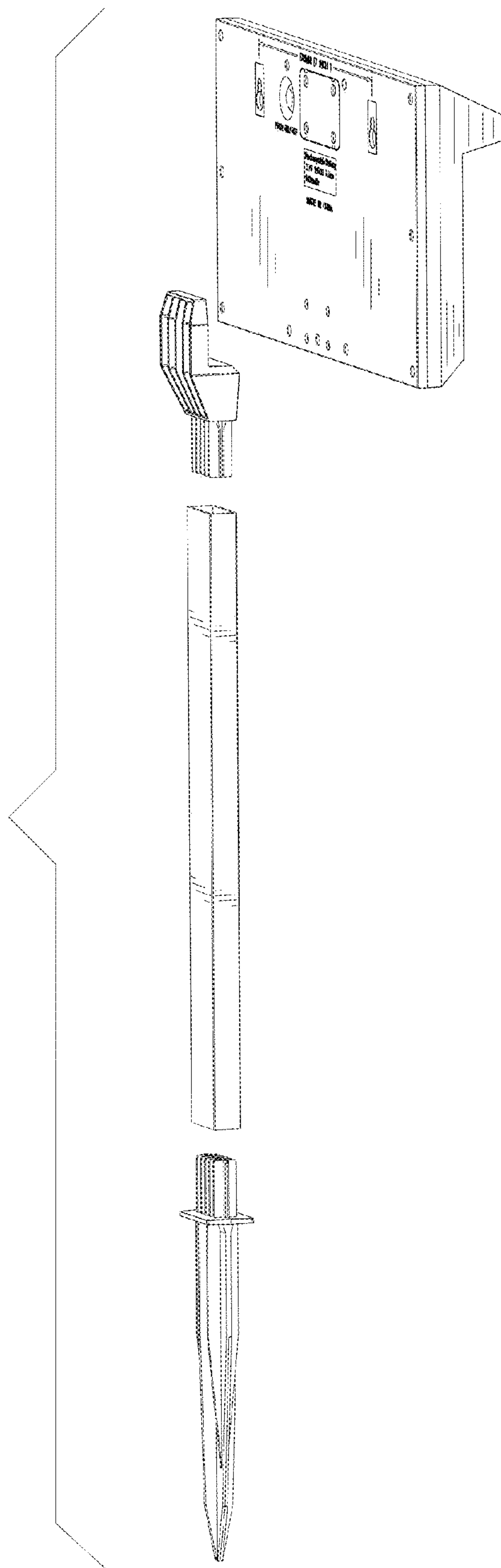


FIG. 10