



US00D938082S

(12) **United States Design Patent**
Holmes et al.

(10) **Patent No.:** **US D938,082 S**

(45) **Date of Patent:** **** Dec. 7, 2021**

(54) **CEILING FAN LIGHT KIT**

(71) Applicant: **HUNTER FAN COMPANY**,
Memphis, TN (US)

(72) Inventors: **Christine Holmes**, Memphis, TN (US);
Claire Bernice McRoberts, La Jolla,
CA (US)

(73) Assignee: **Hunter Fan Company**, Memphis, TN
(US)

(**) Term: **15 Years**

(21) Appl. No.: **29/713,081**

(22) Filed: **Nov. 13, 2019**

Related U.S. Application Data

(62) Division of application No. 29/624,462, filed on Nov.
1, 2017, now Pat. No. Des. 872,851.

(51) **LOC (13) Cl.** **26-05**

(52) **U.S. Cl.**
USPC **D26/59**; D26/144; D23/411

(58) **Field of Classification Search**
USPC D23/370, 377, 379, 385, 411, 413;
D26/13, 37-38, 40, 59, 70, 80-82, 84, 86,
D26/102, 111, 143-144
CPC F04D 25/088; F04D 29/38; F04D 29/384;
F04D 29/386; F21V 33/0096; F21V
3/061; F21V 3/0615; F21S 8/043
See application file for complete search history.

(56) **References Cited**

U.S. PATENT DOCUMENTS

D172,688 S * 7/1954 Ruskin D26/81
D382,954 S 8/1997 Liu
D416,616 S 11/1999 LaSpina
D428,180 S 7/2000 Orellana et al.
D430,280 S 8/2000 Huang

D442,315 S 5/2001 Schaefer et al.
D483,463 S * 12/2003 Tai D23/377
D485,349 S * 1/2004 Burns D23/411
D486,215 S * 2/2004 Hsieh D23/377

(Continued)

OTHER PUBLICATIONS

<http://www.homedepot.com/p/Hampton-Bay-Ellijay-52-in-Natural-Iron-Indoor-Outdoor-Ceiling-Fan-YG205-N1/202549824>, Hampton Bay Ellijay 52 in. Natural Iron Indoor/Outdoor Ceiling Fan, Model No. YG205-NI, accessed Mar. 1, 2017.

(Continued)

Primary Examiner — Sharon S Oum

(74) *Attorney, Agent, or Firm* — McGarry Bair PC

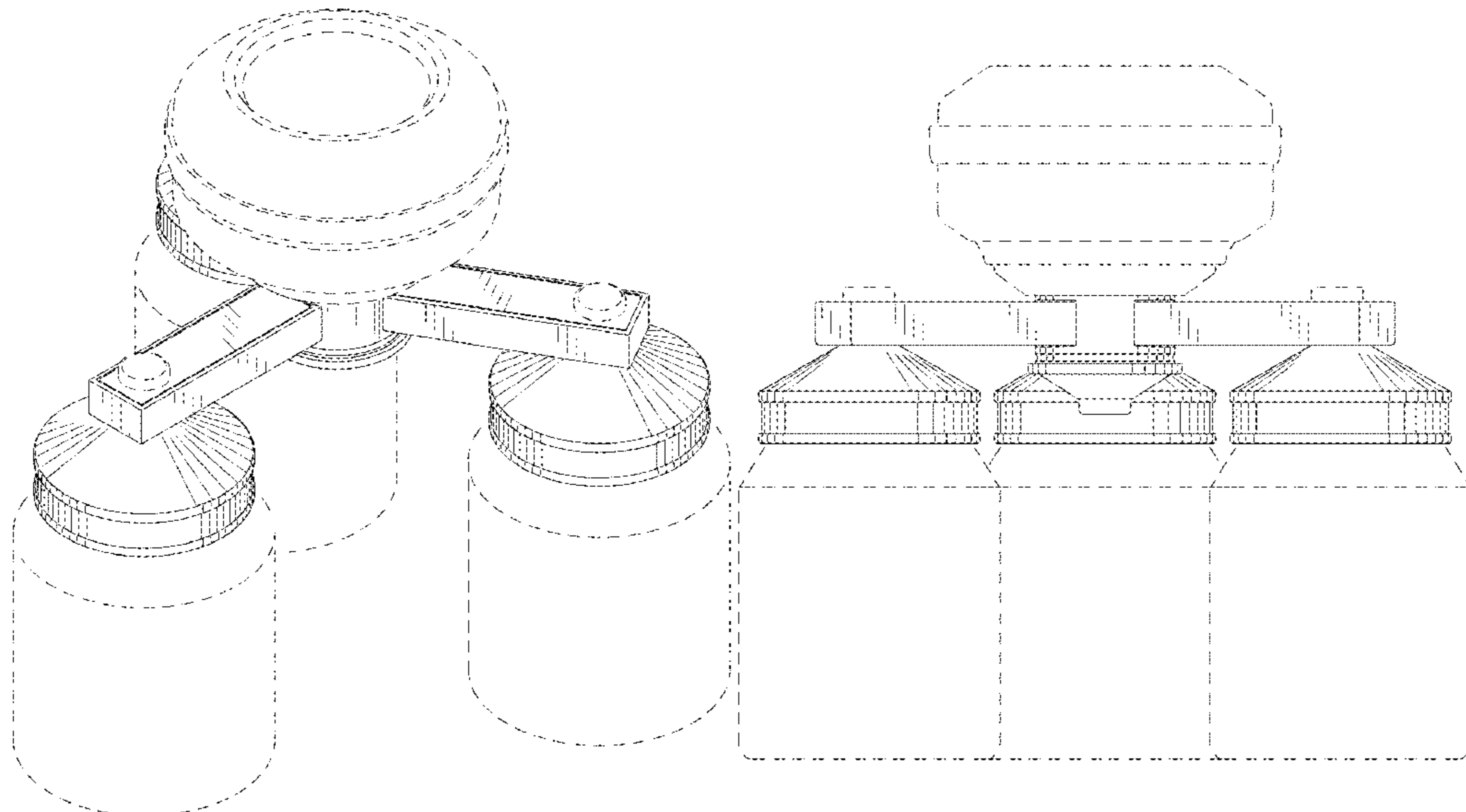
(57) **CLAIM**

The ornamental design for a ceiling fan light kit, as shown and described.

DESCRIPTION

FIG. 1 is a bottom perspective view of a ceiling fan light kit in the environment of a ceiling fan, showing our new design; FIG. 2 is a top perspective view of the ceiling fan light kit of FIG. 1, having the ceiling fan environment removed; FIG. 3 is a top view of the ceiling fan light kit of FIG. 2; FIG. 4 is a bottom view of the ceiling fan light kit of FIG. 2; FIG. 5 is a front view of the ceiling fan light kit of FIG. 2; FIG. 6 is a rear view of the ceiling fan light kit of FIG. 2; FIG. 7 is a left side view of the ceiling fan light kit of FIG. 2; and, FIG. 8 is a right side view of the ceiling fan light kit of FIG. 2. Portions of the ceiling fan light kit and ceiling fan environment are shown in broken lines. Portions shown in broken lines form no part of the claimed design.

1 Claim, 8 Drawing Sheets



(56)

References Cited

U.S. PATENT DOCUMENTS

D520,668 S * 5/2006 Brunner D26/81
 D523,951 S 6/2006 Pickett
 D527,450 S 8/2006 Hidalgo
 D532,510 S 11/2006 Pickett
 D533,655 S * 12/2006 Glasbrenner D23/411
 D535,421 S 1/2007 Pickett
 D559,953 S 1/2008 Bickler et al.
 D563,543 S 3/2008 Pickett
 D567,421 S * 4/2008 Pan D26/59
 D598,091 S 8/2009 Orozco
 D601,240 S 9/2009 Klausung et al.
 D613,890 S * 4/2010 Chen D26/59
 D613,895 S * 4/2010 Chen D26/81
 D617,890 S 6/2010 Thomas
 D627,048 S 11/2010 Shurtleff
 D627,049 S * 11/2010 Glasbrenner D23/411
 D627,870 S 11/2010 Wang
 D643,105 S 8/2011 Orozco
 D691,763 S 10/2013 Hand et al.
 D702,385 S 4/2014 Wang
 D706,406 S 6/2014 Wang
 D706,918 S 6/2014 Wang
 D706,919 S 6/2014 Wang
 D707,344 S 6/2014 Wang
 D707,347 S 6/2014 Wang
 D707,348 S 6/2014 Pan
 D744,080 S 11/2015 Wang
 D744,081 S 11/2015 Wang
 D751,187 S 3/2016 Dolan
 D786,495 S * 5/2017 Dolan D26/143
 D804,011 S * 11/2017 Holmes D23/377
 D827,805 S 9/2018 Biancuzzo
 D875,980 S * 2/2020 O'Connell D26/59
 D876,698 S * 2/2020 Hidalgo D26/59
 D885,647 S * 5/2020 Haggar D26/119

D889,735 S * 7/2020 Holmes D26/144
 D894,457 S * 8/2020 McRoberts D26/59
 D923,861 S * 6/2021 Haggar D26/119
 2005/0214145 A1 9/2005 Grinbergs

OTHER PUBLICATIONS

<https://www.lowes.com/pd/Harbor-Breeze-Merrimack-52-in-Antique-Bronze-Downrod-Mount-Indoor-Outdoor-Ceiling-Fan-with-Light-Kit-and-Remote/4165863>, Harbor Breeze Merrimack 52-in Antique Bronze Downrod Mount Indoor/Outdoor Ceiling Fan with Light Kit and Remote Control, Model No. 40094, accessed Mar. 31, 2017.
<http://www.fanimation.com/products/index.php/fans/coop/html>, Fanimation Coop, Indoor Fan, Model No. LP8081, accessed Oct. 30, 2017.
<https://www.lowes.com/pd/Harbor-Breeze-Calera-42-in-White-Downrod-or-Close-Mount-Indoor-Outdoor-Residential-Ceiling-Fan/3822651>, Harbor reeze Calera 42-in White Downrod or Close Mount Indoor/Outdoor Residential Ceiling Fan, Model No. 00830, accessed Mar. 31, 2017.
<http://www.homedepot.com/p/Hampton-Bay-Lazerro-II-52-in-Oil-Rubbed-Bronze-Ceiling-Fan-AL968-ORB/203786359>, Hampton Bay Lazerro II 52 in. Oil-Rubbed Bronze Ceiling Fan, Model No. AL968-ORB, accessed Mar. 31, 2017.
<http://ceilingfans.emerson.com/shop/erVfan/fans-s-emerson-fans/fans-s-transitional/portland-eco-fan-p-c1965>, Emerson Ceiling Fans, Portland Eco, Model No. CF965BS, accessed Mar. 31, 2017.
<http://www.hunterfan.com/Ceiling-Fans/Timberlane?ModelNumber=59201>, Hunter Fan, Timberlane 52" Ceiling Fan, Model No. 59201, accessed Mar. 31, 2017.
<http://www.homedepot.com/p/Hampton-Bay-Garrison-52-in-Gunmetal-Ceiling-Fan-AC438-GM/100583172>, Hampton Bay Garrison 52 in. Gunmetal Ceiling Fan, Model No. AC438-GM, accessed Mar. 31, 2017.

* cited by examiner

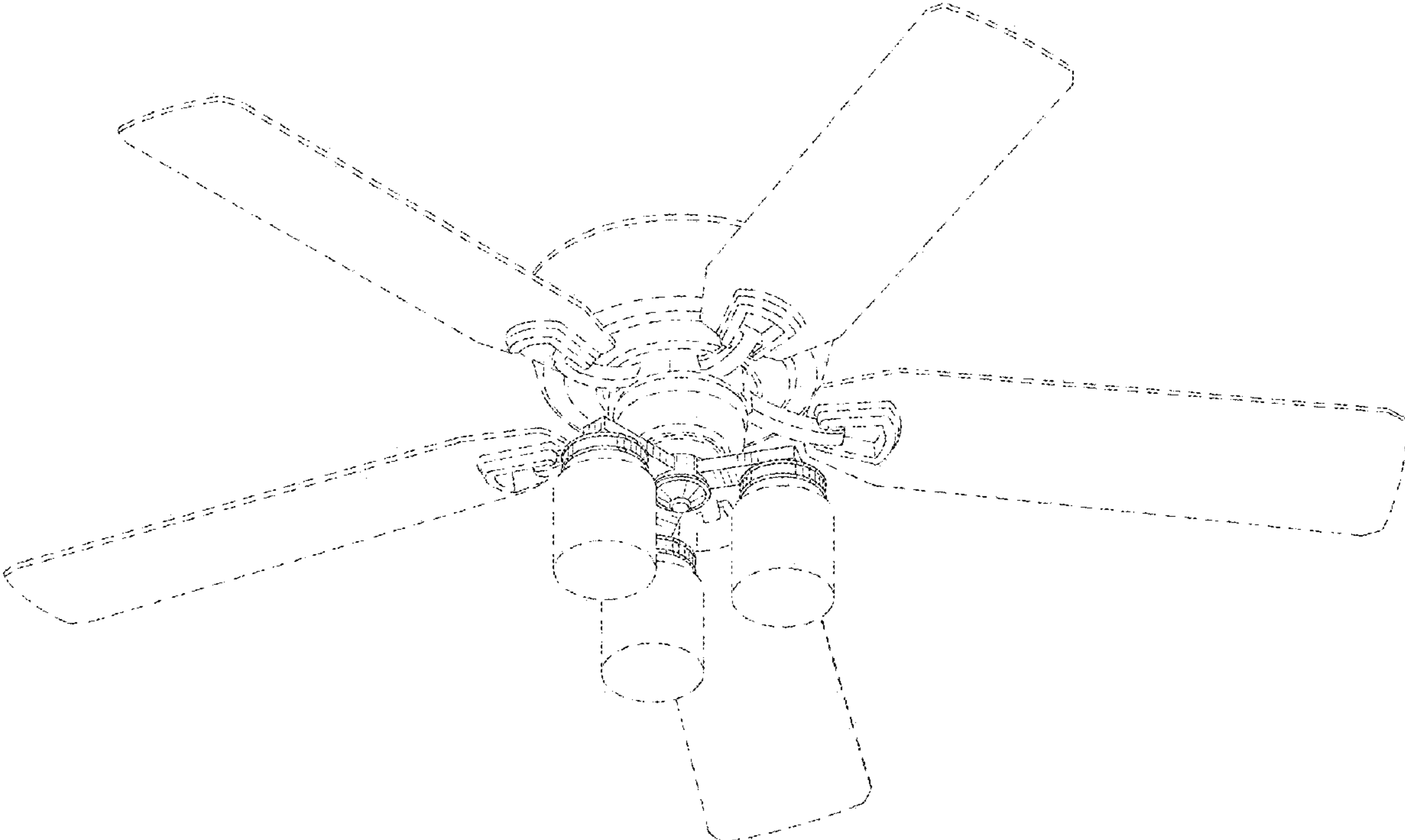


FIG.1

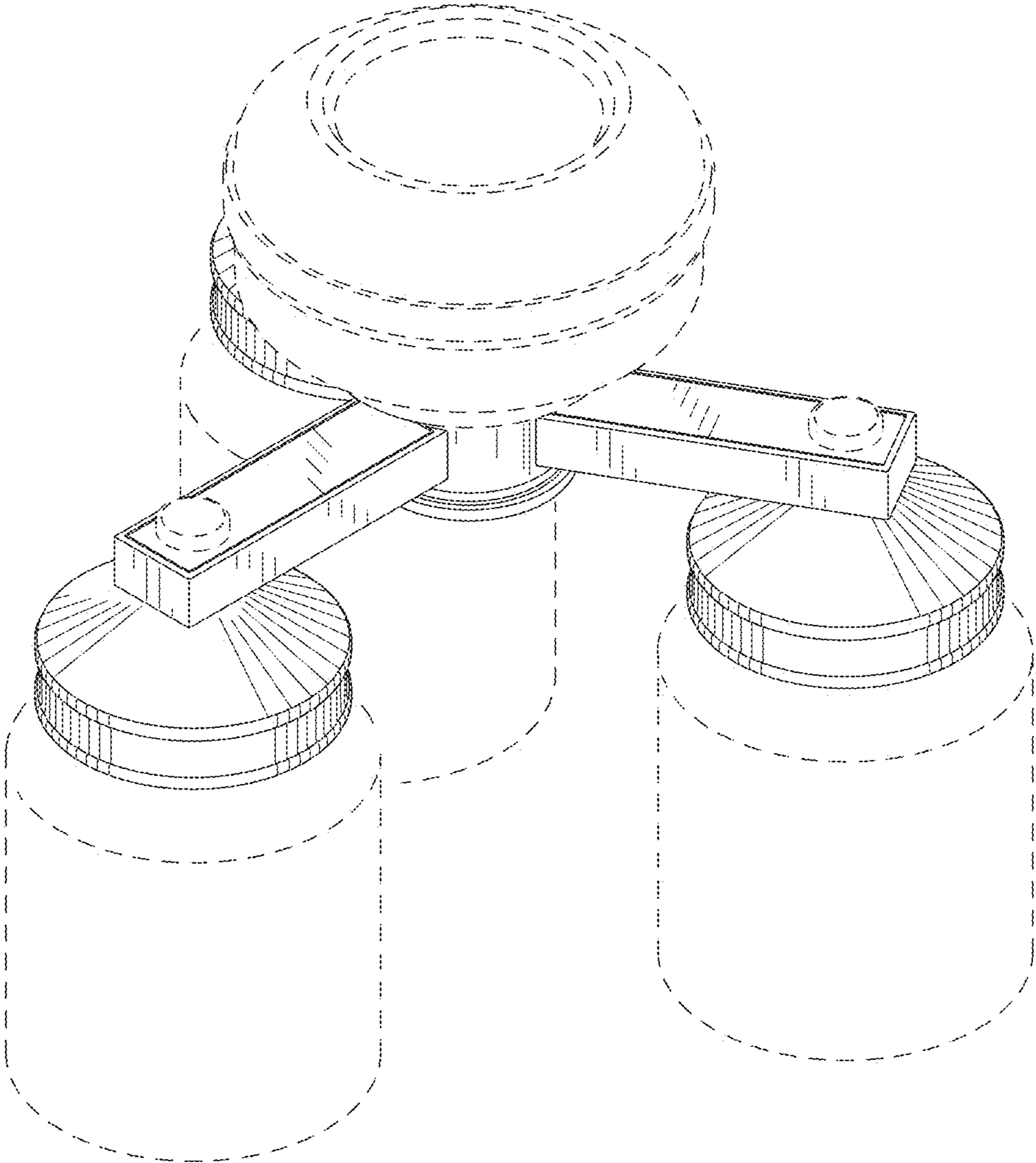


FIG.2

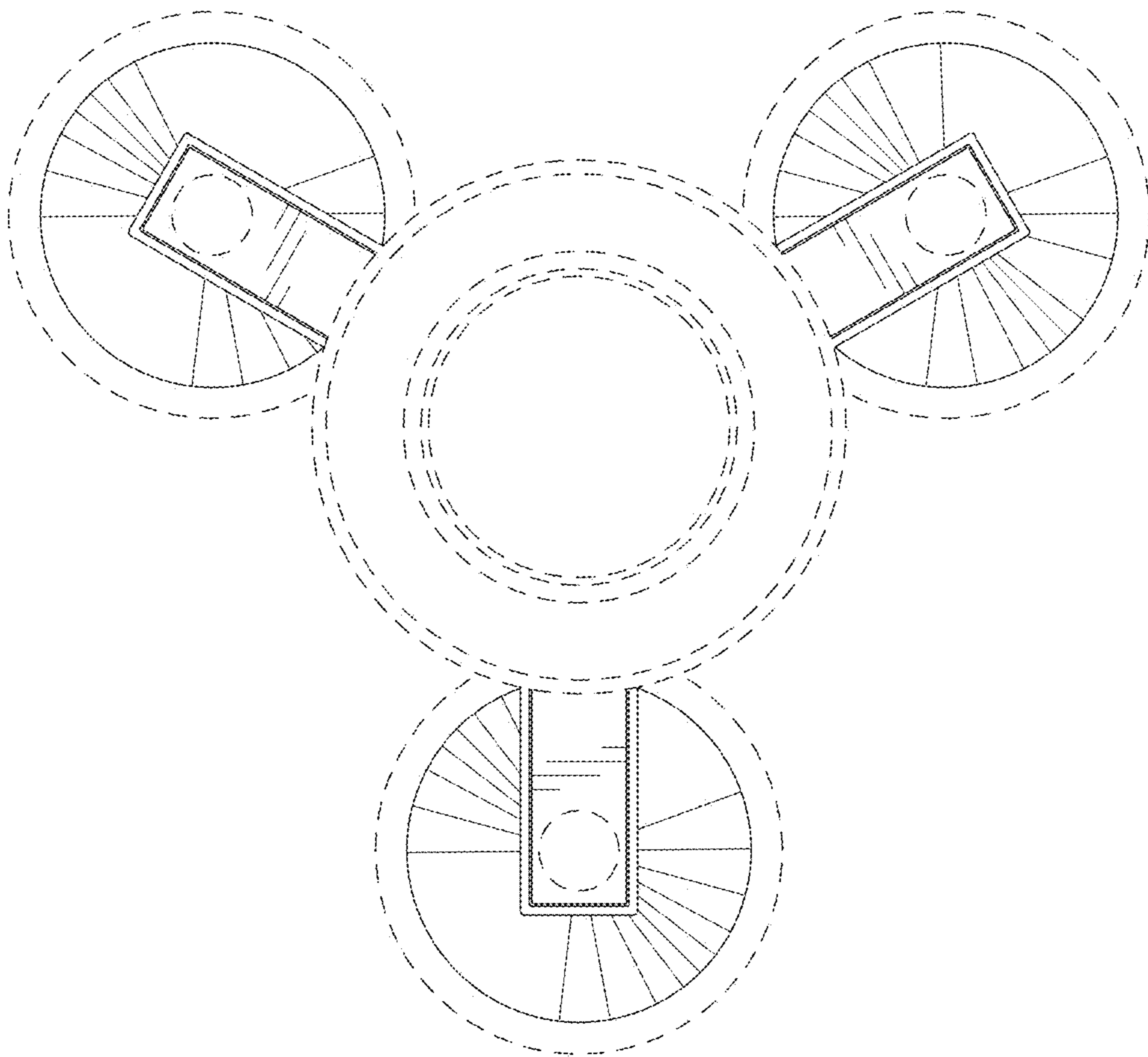


FIG. 3

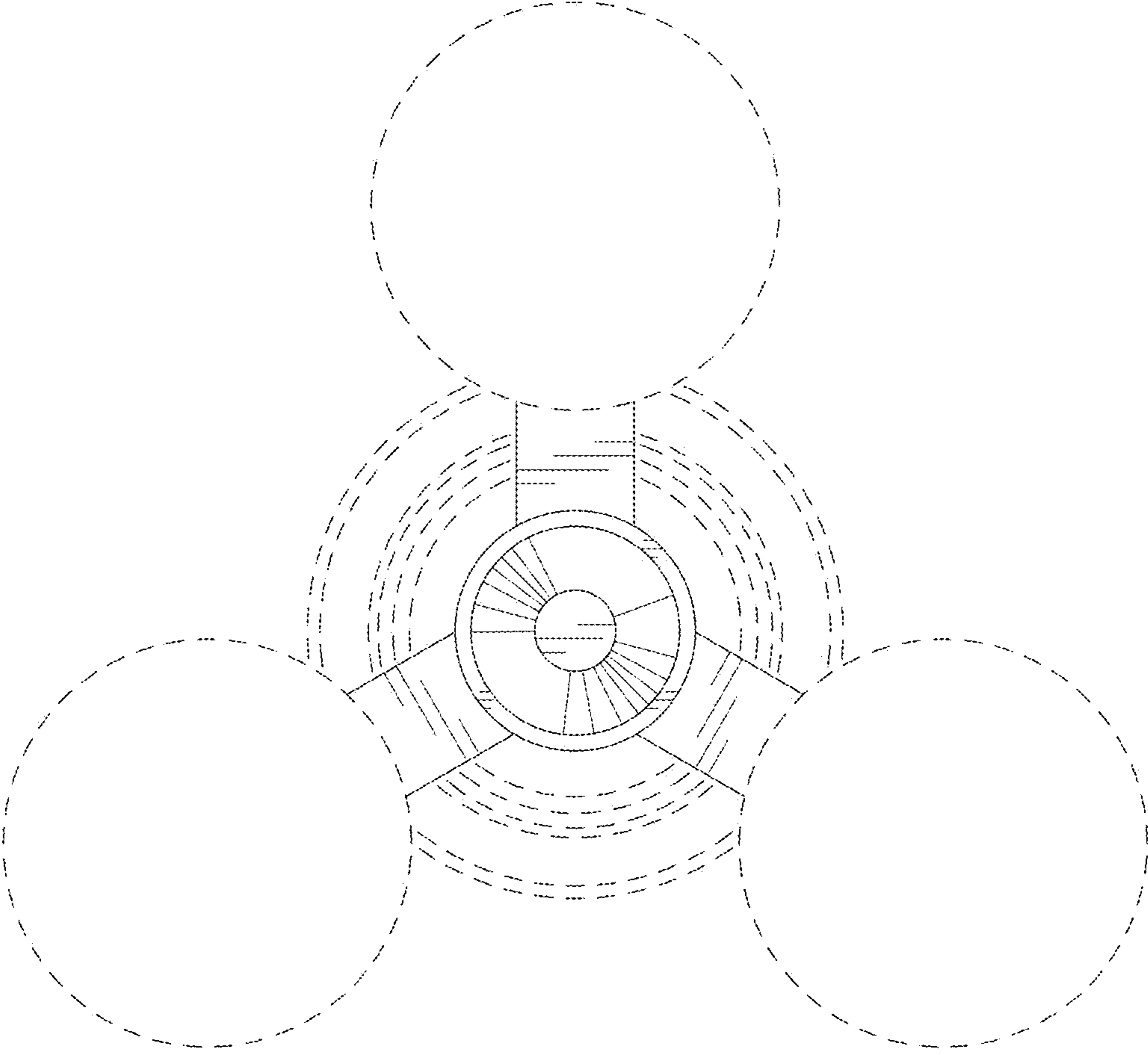


FIG.4

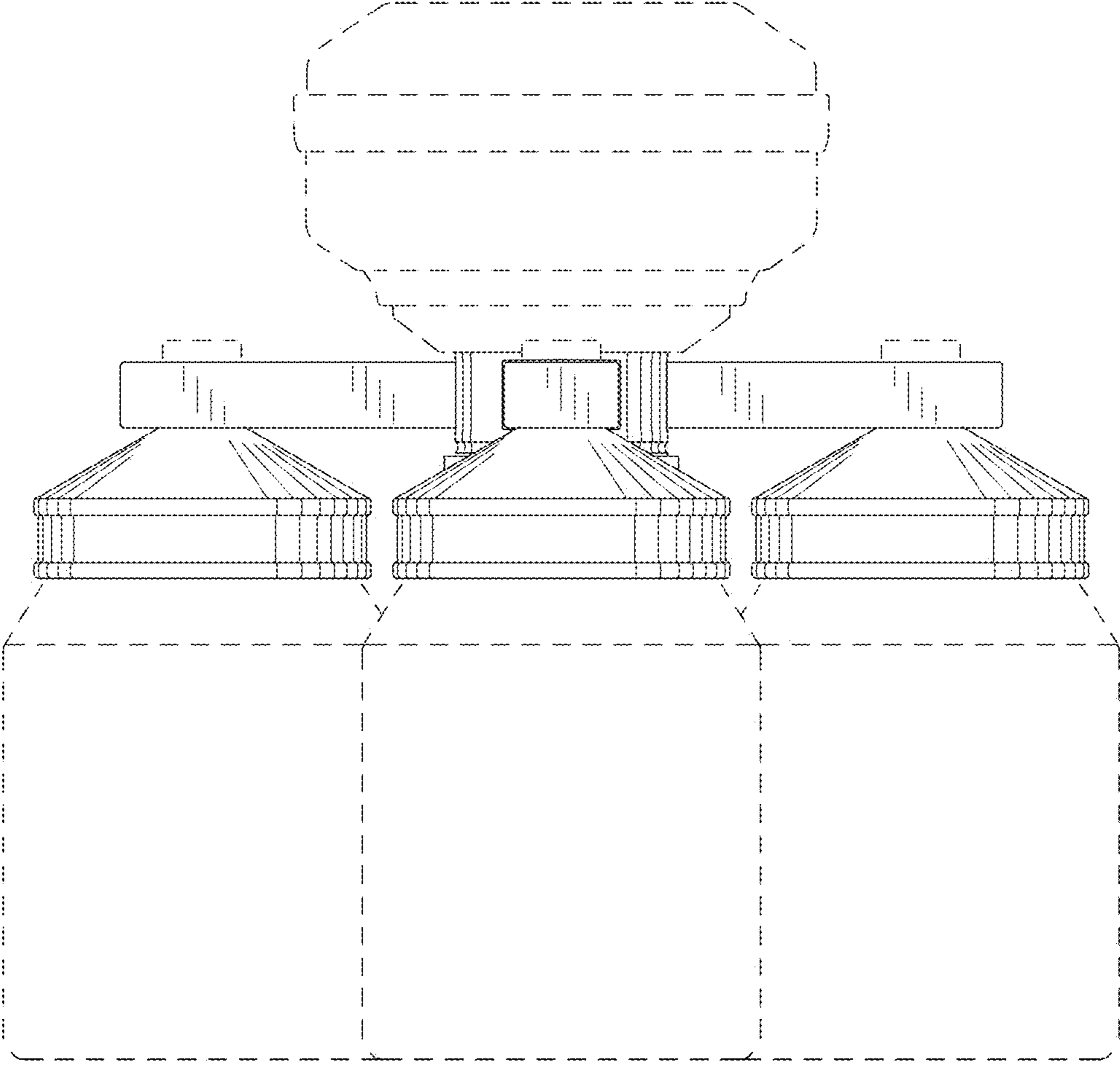


FIG.5

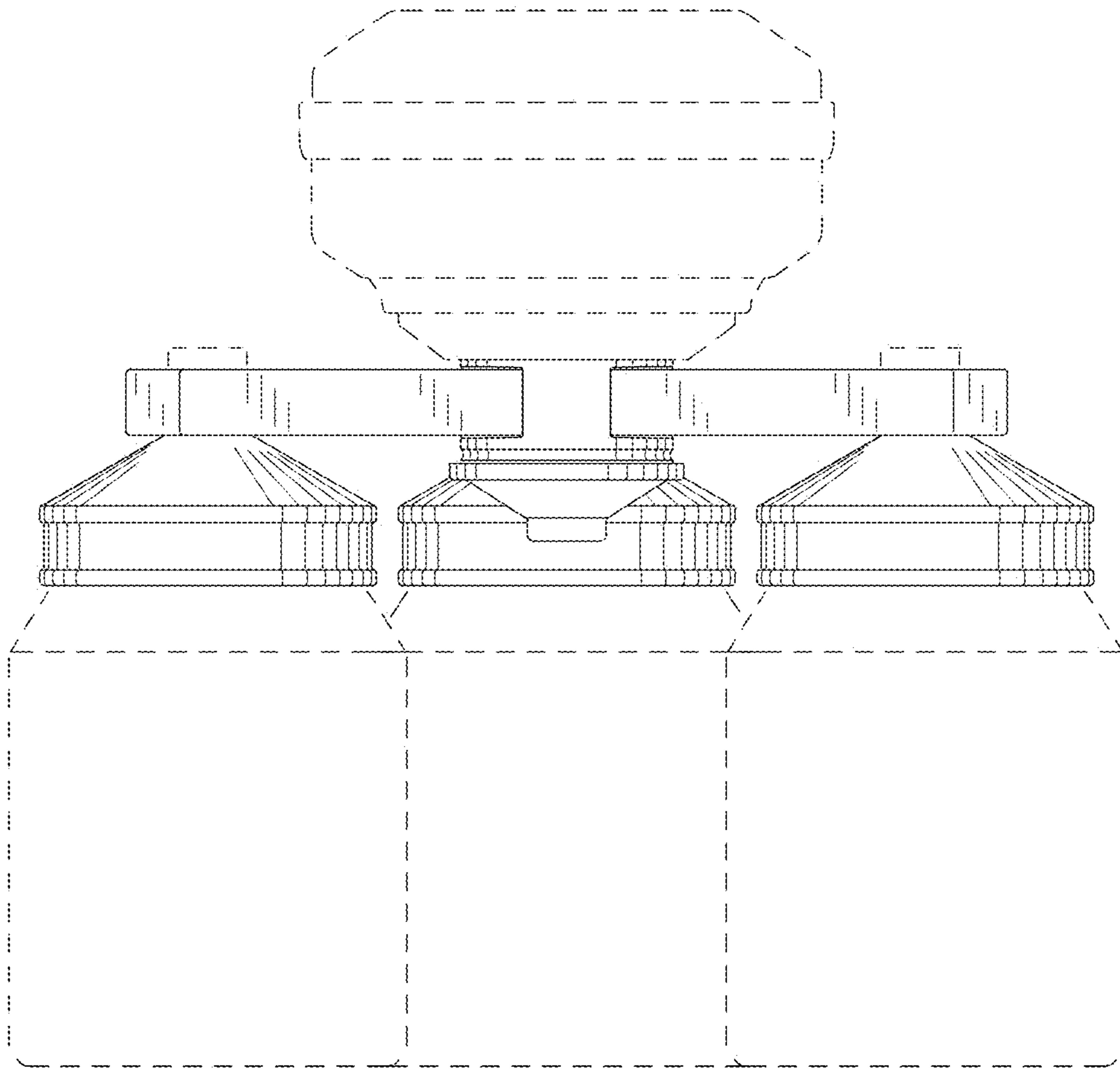


FIG.6

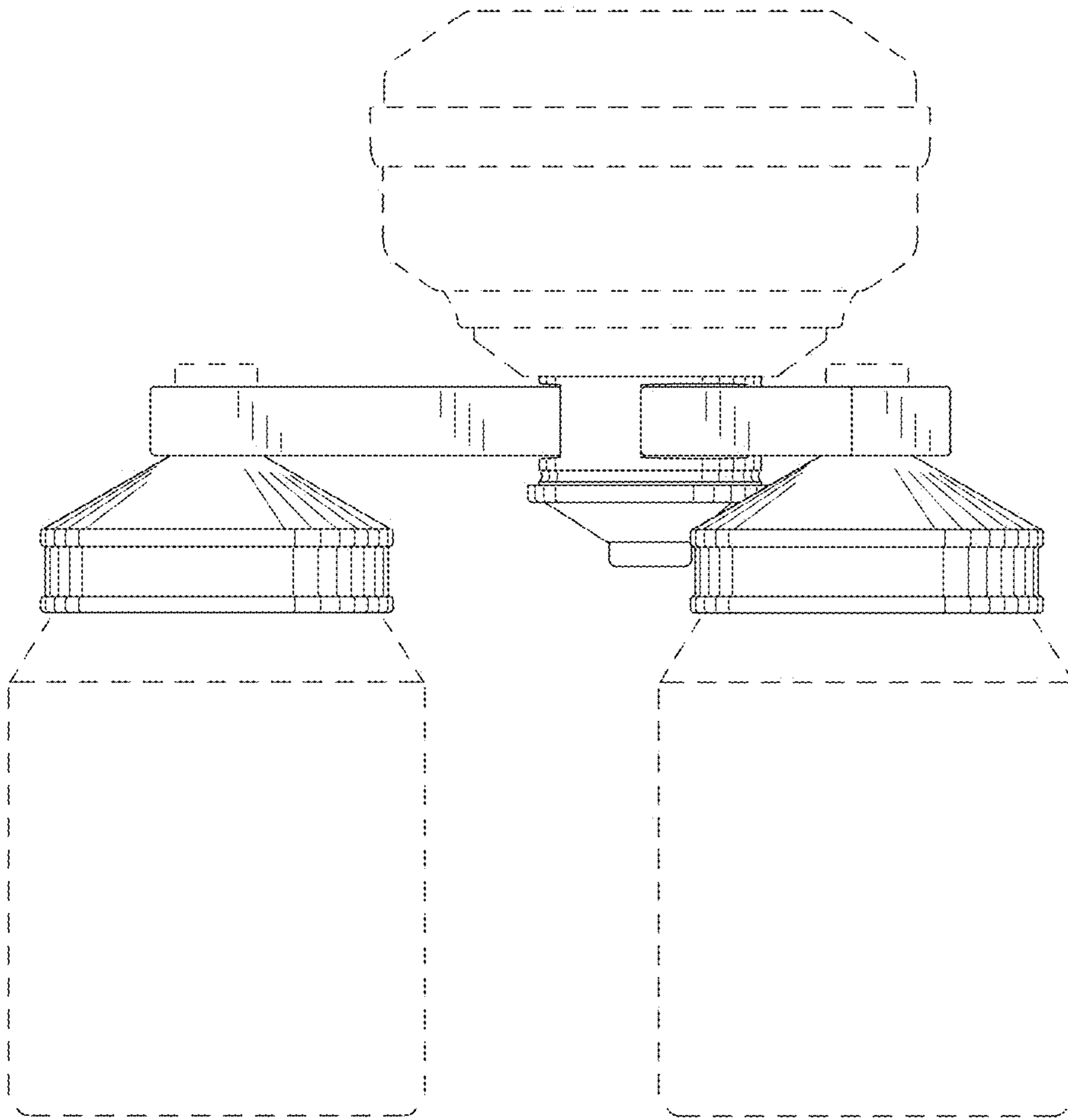


FIG.7

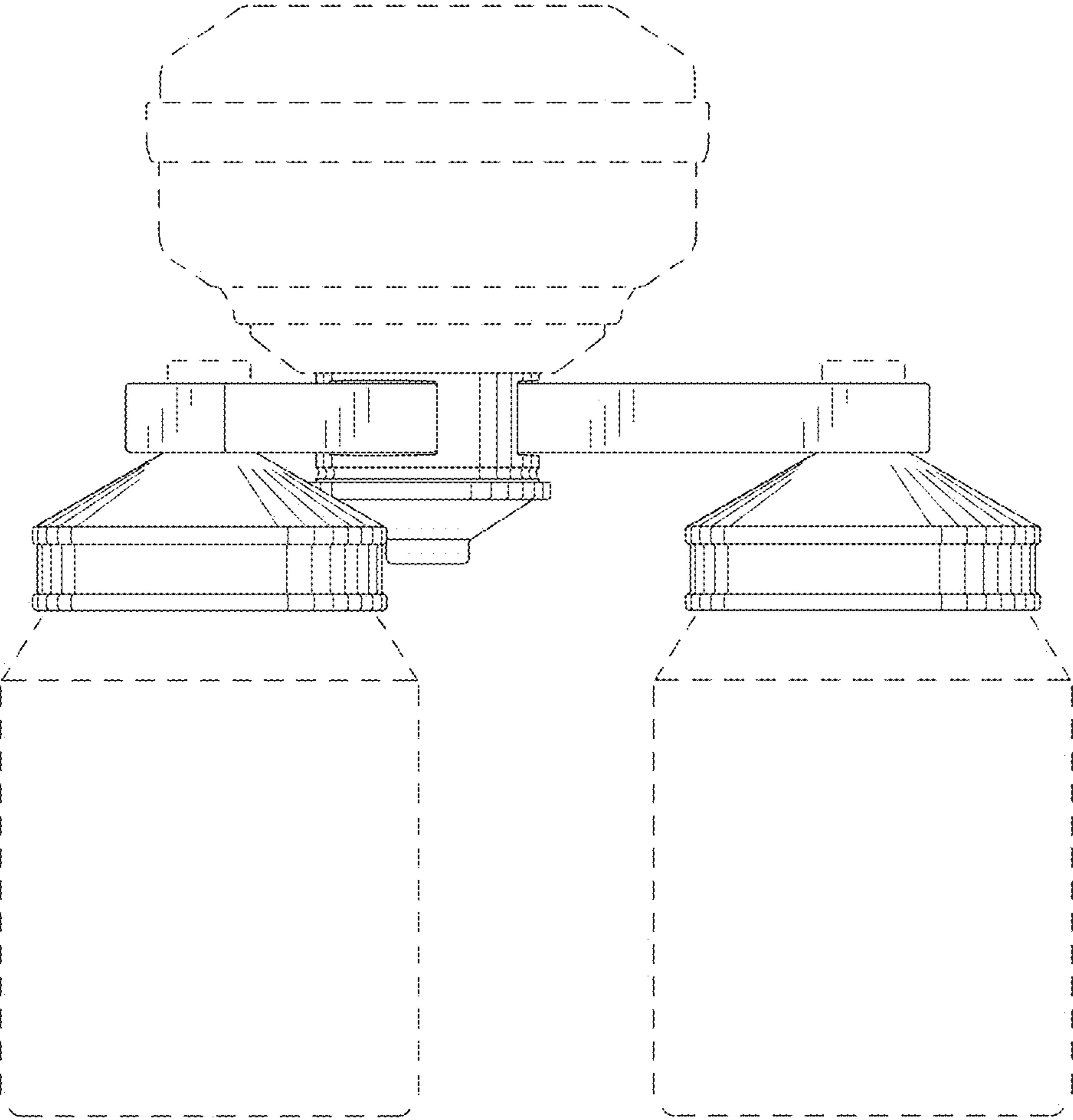


FIG.8