



US00D938081S

(12) **United States Design Patent** (10) **Patent No.:** **US D938,081 S**
Li (45) **Date of Patent:** **** Dec. 7, 2021**

(54) **SOLAR LIGHT**
(71) Applicant: **Meiyan Li**, Quanzhou (CN)
(72) Inventor: **Meiyan Li**, Quanzhou (CN)
(**) Term: **15 Years**
(21) Appl. No.: **29/767,794**
(22) Filed: **Jan. 26, 2021**
(51) **LOC (13) Cl.** **26-02**
(52) **U.S. Cl.**
USPC **D26/41; D26/37; D26/47**
(58) **Field of Classification Search**
USPC D26/37-52, 55, 57, 27, 67-69; D8/1, 2;
D15/13; D9/13; D23/211-212
CPC . Y10T 16/44; F21V 3/00; F21V 21/00; A01G
25/14; A01G 9/024; B67C 11/00; B67C
3/00
See application file for complete search history.

(56) **References Cited**
U.S. PATENT DOCUMENTS
D16,822 S * 7/1886 Wilkinson A01G 25/14
D23/212
981,879 A * 1/1911 Pritchard F21V 3/00
362/313
D53,438 S * 6/1919 Edwards F21V 21/00
D23/212
D55,641 S * 7/1920 Price F21L 19/006
D23/211.2
D56,774 S * 12/1920 Sroka F21V 3/00
D23/212
1,699,459 A * 1/1929 Ullrich A01G 25/14
239/377
2,054,878 A * 9/1936 Embury F21L 19/006
362/171
2,128,767 A * 8/1938 Currie F21V 21/00
362/171
D184,893 S * 4/1959 Reinecke D23/212
2,965,310 A * 12/1960 Gettelman A01G 25/14
239/391

4,771,924 A * 9/1988 Aylor A01G 25/14
222/174
D475,797 S 6/2003 Cheong
D482,805 S * 11/2003 Wrob D26/25
D486,933 S * 2/2004 Leung D26/40
D498,015 S * 11/2004 Leung D26/40
(Continued)

FOREIGN PATENT DOCUMENTS

CN 303135099 * 3/2015
GB 6114582 * 1/2021

OTHER PUBLICATIONS

“2-in-1 Solar Mason Jar Watering Can Tabletop and Garden Stake on QVC,” Apr. 24, 2017, youtube.com, site visited Oct. 4, 2021, URL: <https://www.youtube.com/watch?v=qimEUuAYRR8> (Year: 2017).*
(Continued)

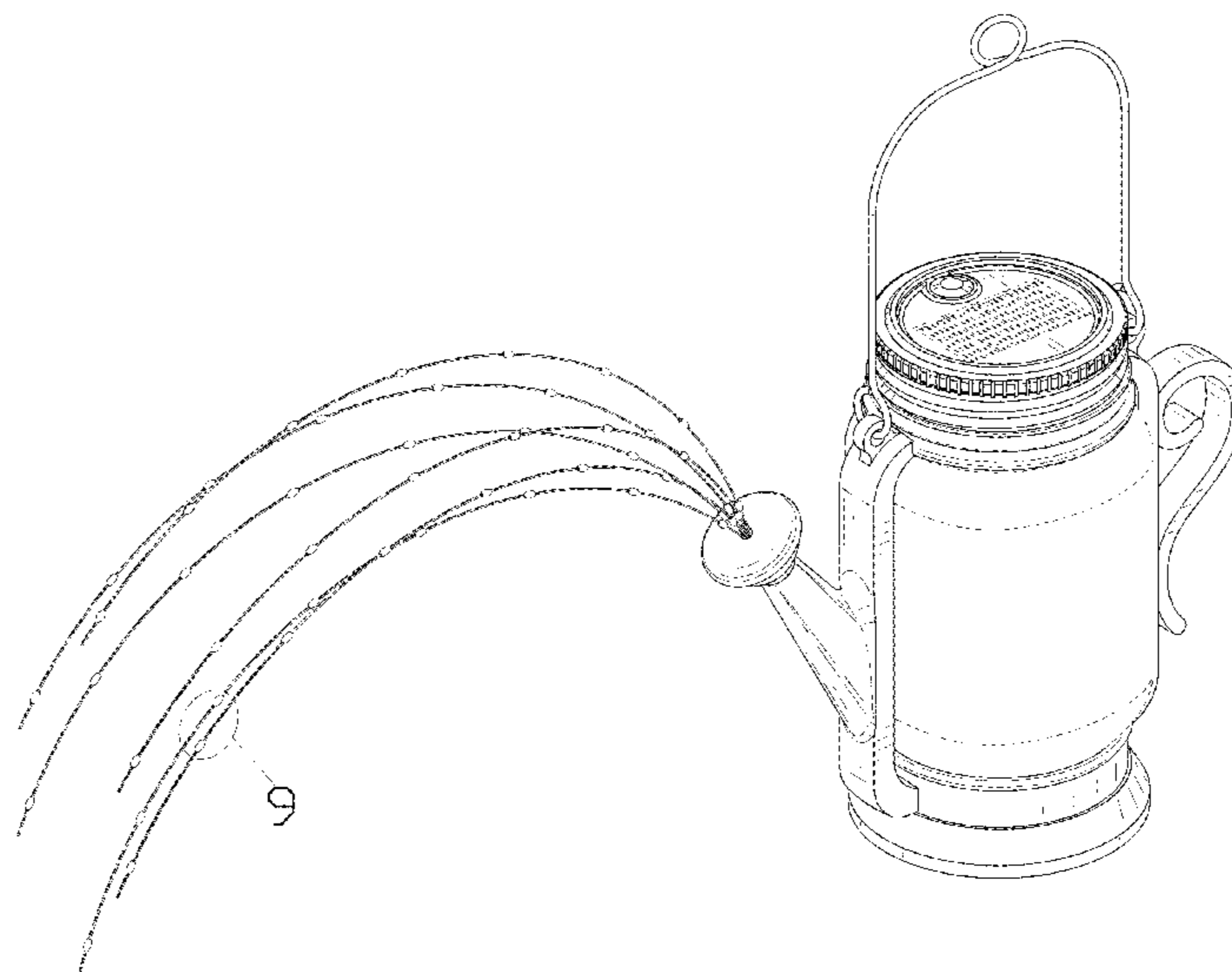
Primary Examiner — Eric L Goodman
Assistant Examiner — Sarah L Smith

(57) **CLAIM**
The ornamental design for a solar light, as shown and described.

DESCRIPTION

FIG. 1 is a perspective view of a solar light showing my new design;
FIG. 2 is another perspective view thereof;
FIG. 3 is a front elevational view thereof;
FIG. 4 is a rear elevational view thereof;
FIG. 5 is a left side elevational view thereof;
FIG. 6 is a right side elevational view thereof;
FIG. 7 is a top plan view thereof;
FIG. 8 is a bottom plan view thereof; and,
FIG. 9 is an enlarged view of portion 9 shown in FIG. 1.
The broken lines in the drawings depict portions of the solar light that form no part of the claimed design.

1 Claim, 9 Drawing Sheets



(56)

References Cited

U.S. PATENT DOCUMENTS

D505,216	S	*	5/2005	Chen	D26/40
D521,783	S	*	5/2006	Nida	D6/521
D533,296	S	*	12/2006	Miranda	D26/87
D594,589	S	*	6/2009	Castagna	D26/94
D645,602	S	*	9/2011	Chen	D26/87
D646,411	S	*	10/2011	Tuli	D26/40
D700,381	S	*	2/2014	Pamani	D26/40
D745,799	S	*	12/2015	Lipson	D7/300
D811,644	S		2/2018	Hou		
D819,855	S	*	6/2018	Li	D26/41
D906,575	S	*	12/2020	Orozco	D26/87
D918,742	S	*	5/2021	Feng	D10/6
2019/0233178	A1	*	8/2019	Rico	B67C 11/00

OTHER PUBLICATIONS

“Moonrays 96368 Mason Jar Watering Can Stake Lights,” Dec. 7, 2018, amazon.com, site visited Oct. 4, 2021, URL: : <https://www.amazon.com/Moonrays-96368-Mason-Watering-Lights/dp/B07L72675R> (Year: 2018).*

* cited by examiner

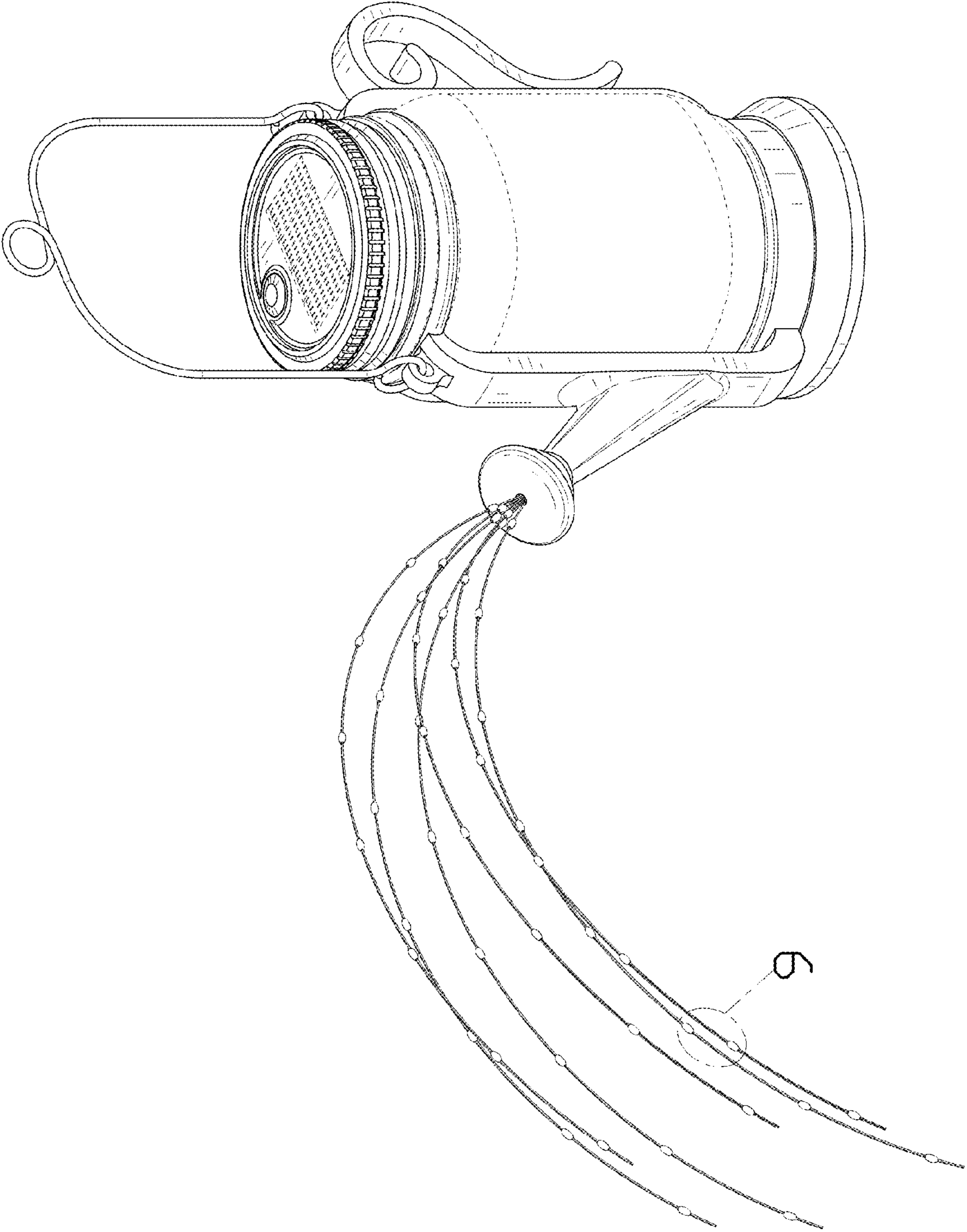


FIG. 1

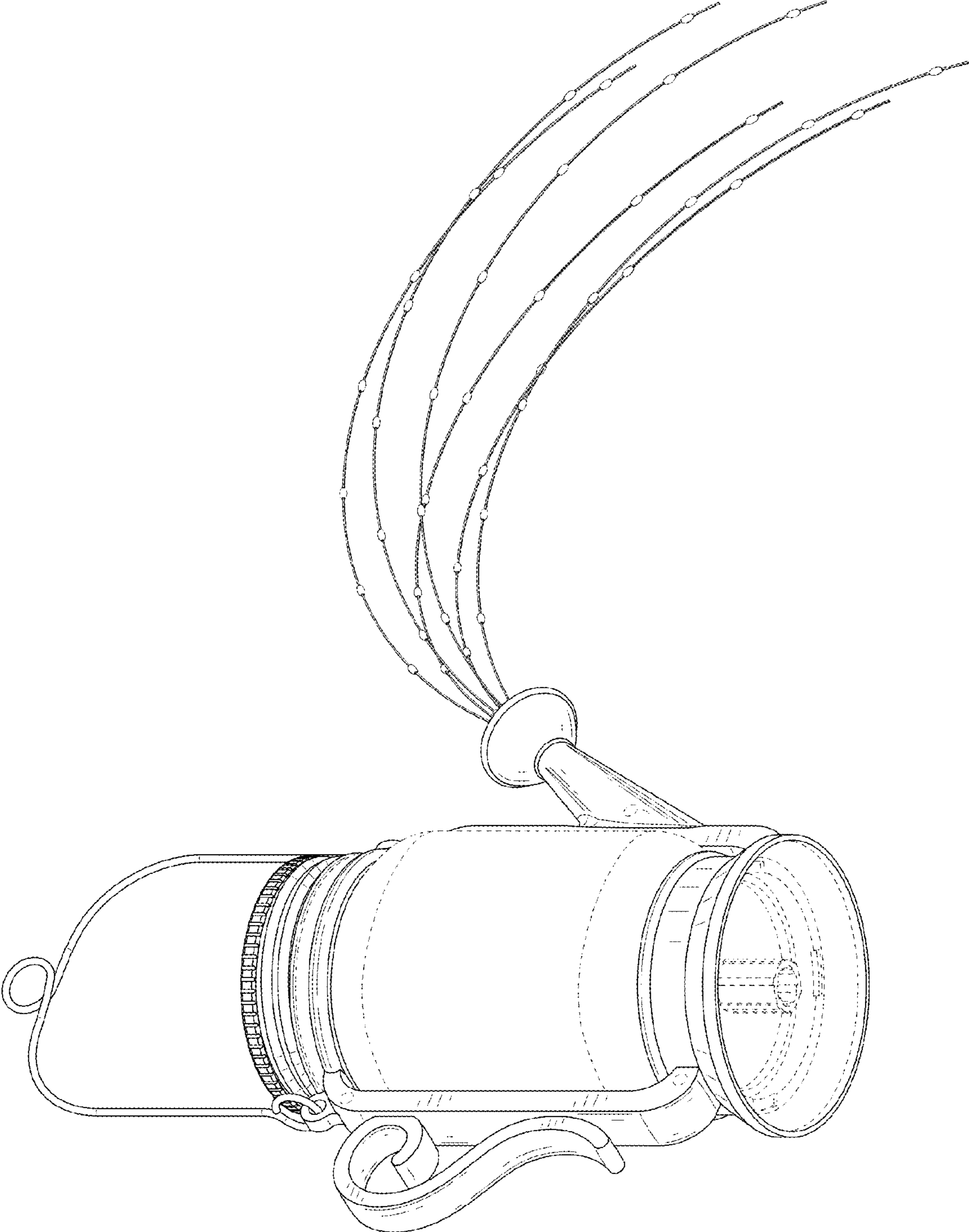


FIG. 2

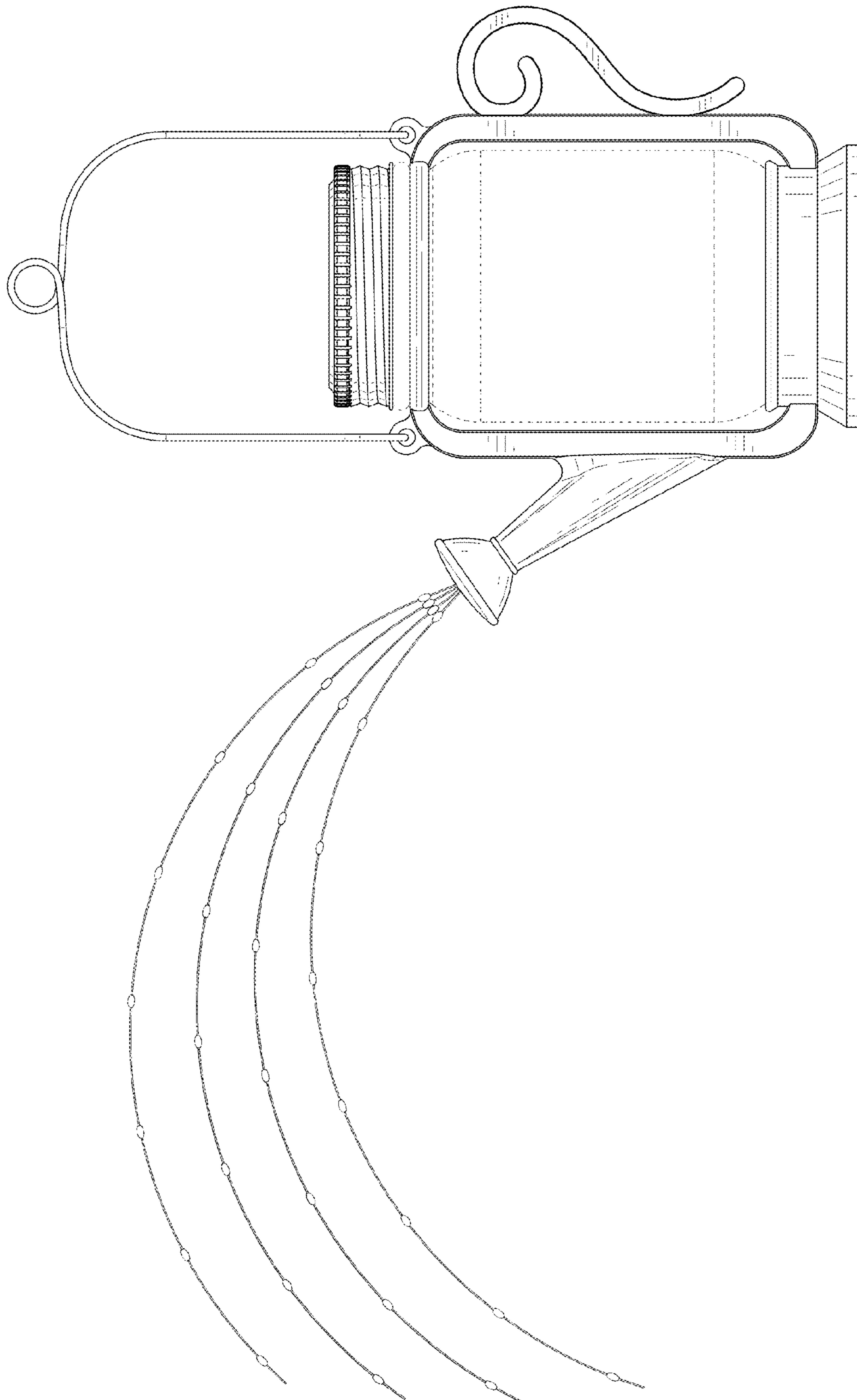


FIG. 3

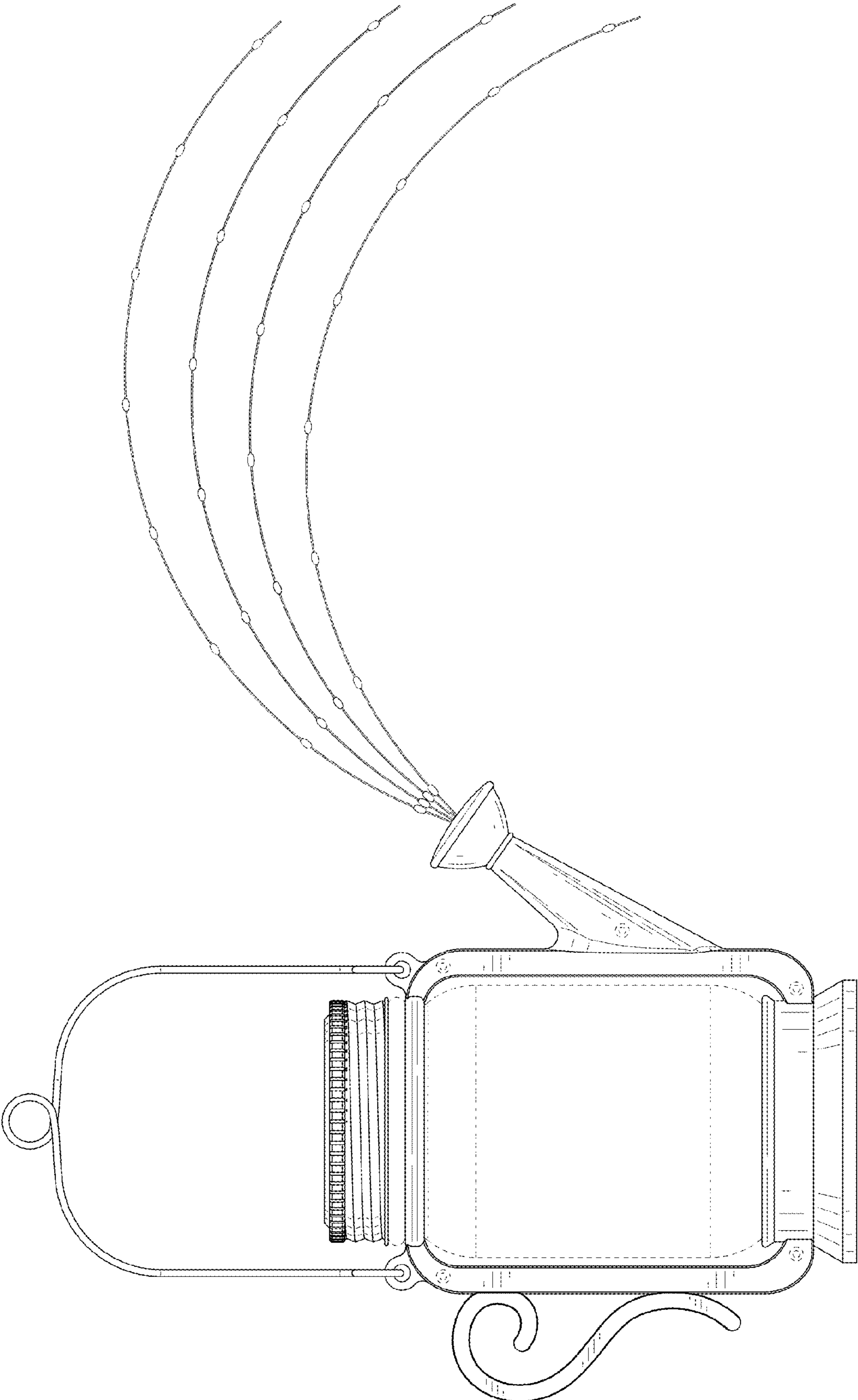


FIG. 4

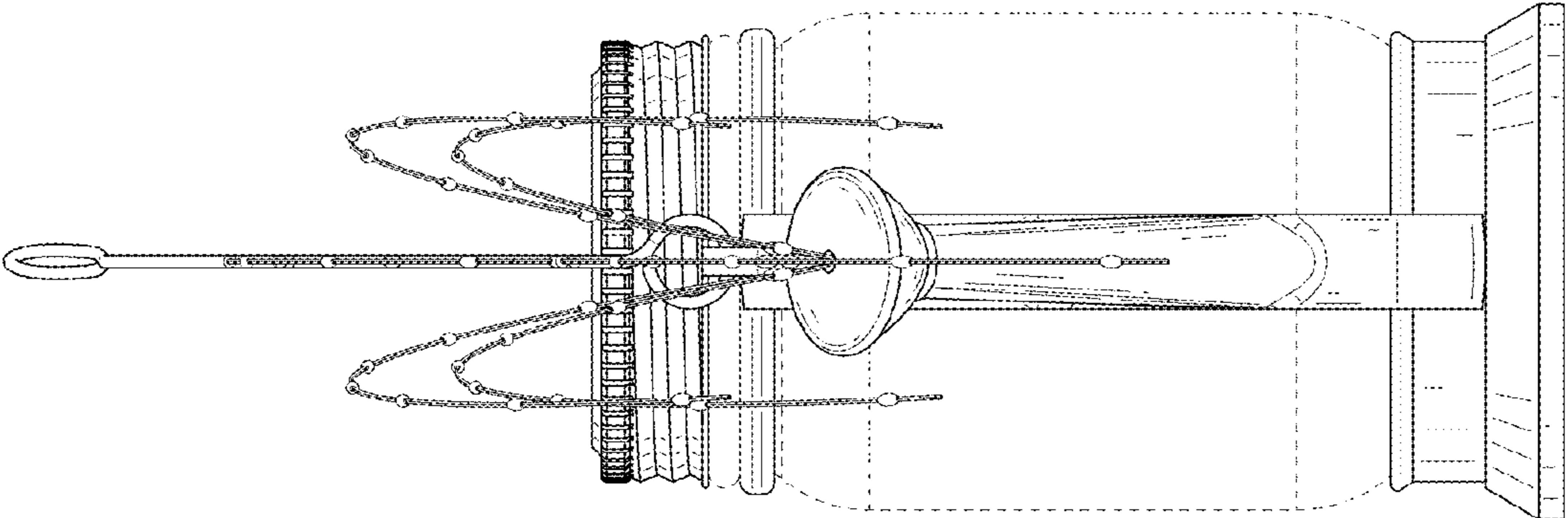


FIG. 5

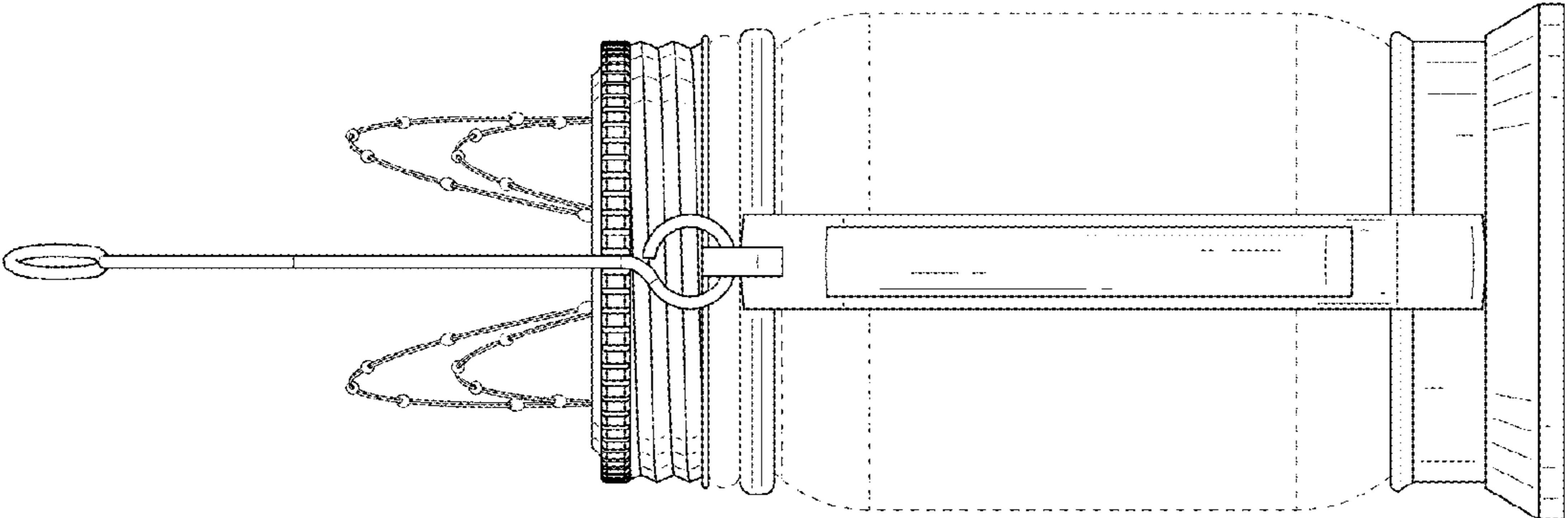


FIG. 6

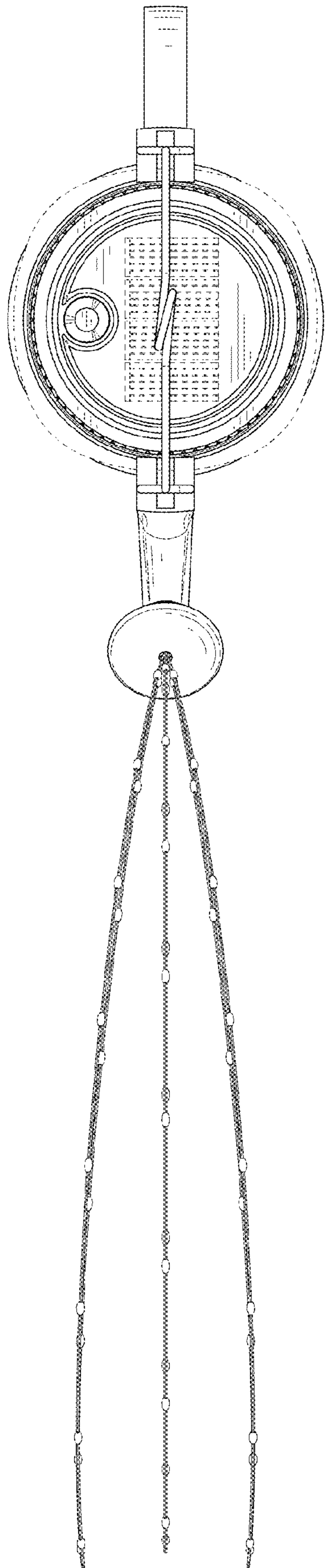


FIG. 7

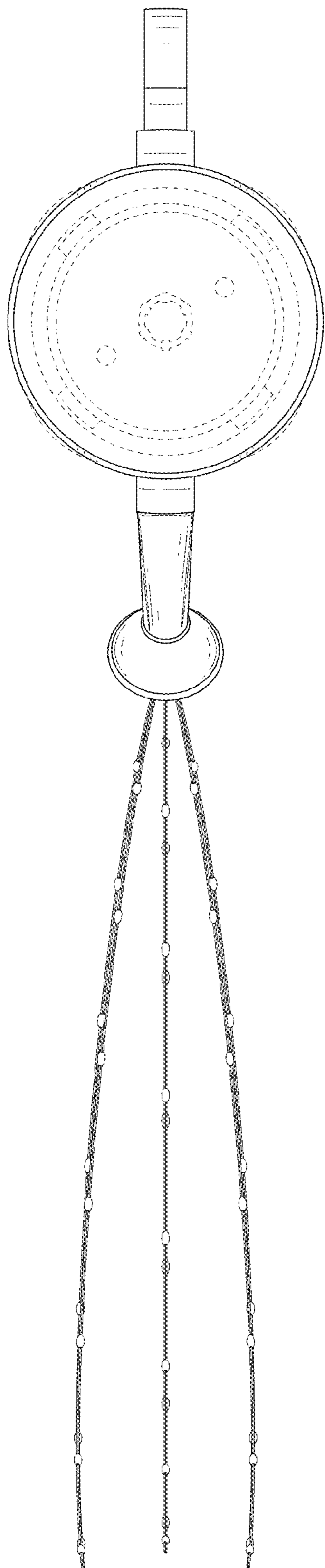


FIG. 8

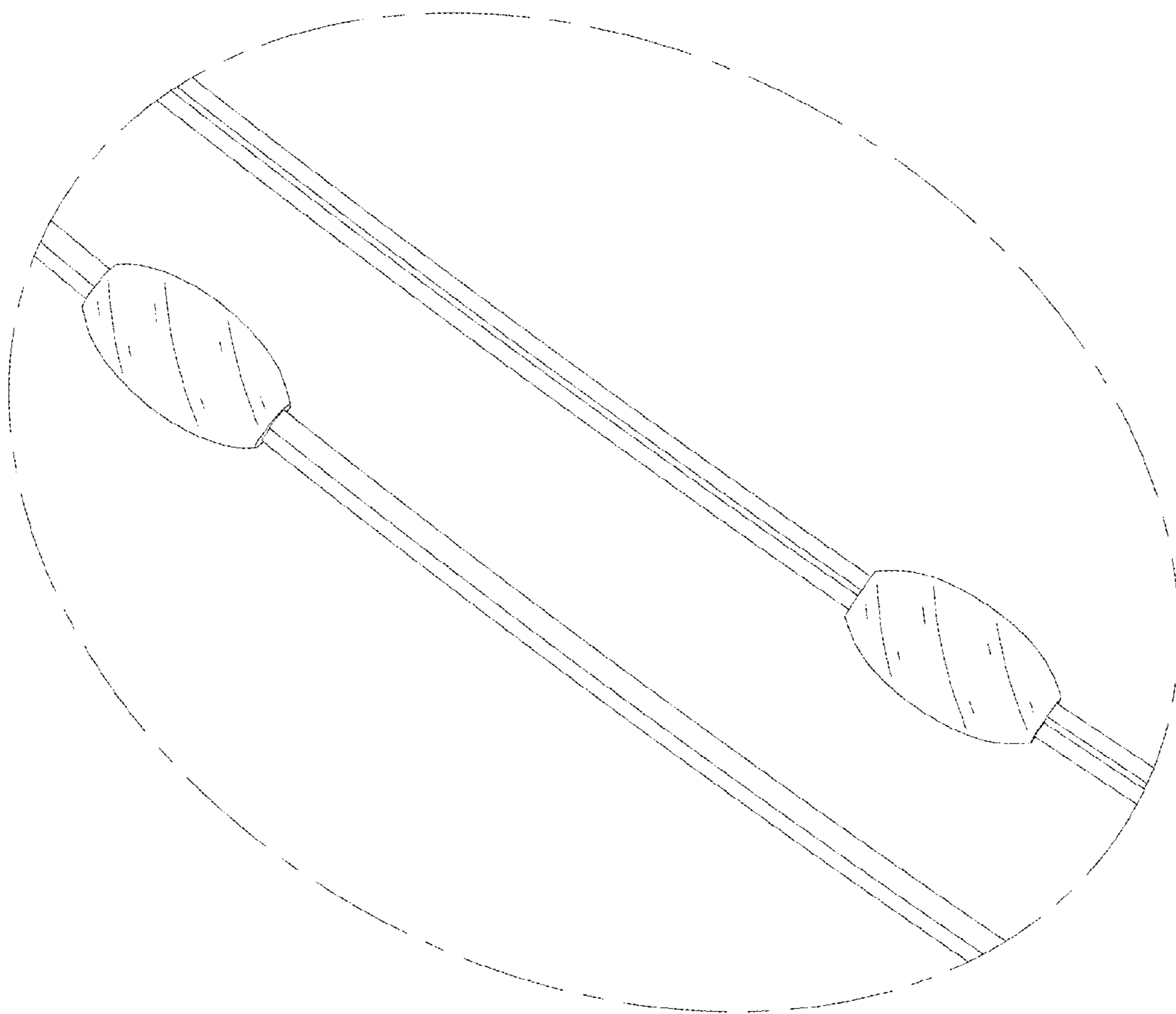


FIG. 9