



US00D938079S

(12) **United States Design Patent** (10) **Patent No.:** **US D938,079 S**
Lin (45) **Date of Patent:** **** Dec. 7, 2021**

(54) **AUTOMOBILE HEADLIGHT**
(71) Applicant: **Chi-Chung Lin**, Hsinchu (TW)
(72) Inventor: **Chi-Chung Lin**, Hsinchu (TW)
(**) Term: **15 Years**
(21) Appl. No.: **29/745,237**
(22) Filed: **Aug. 4, 2020**
(51) **LOC (13) Cl.** **26-06**
(52) **U.S. Cl.**
USPC **D26/28**
(58) **Field of Classification Search**
USPC D26/28, 29, 30, 31, 32, 33, 34, 35, 36,
D26/44
CPC F21S 48/00; F21S 48/10; F21S 48/115;
F21S 48/225; F21S 48/1233; F21S
48/1266; F21S 48/1388; F21S 48/2268;
F21V 21/04; F21W 2103/35; F21W 3/40;
F21W 2102/17; F21W 2102/30; F21W
2103/00; F21W 2103/55; F21W 2104/00;
F21W 2107/17; F21W 2107/13
See application file for complete search history.

D883,537 S * 5/2020 Lin D26/28
D893,065 S * 8/2020 He D26/28
D899,641 S * 10/2020 He D26/28
D916,337 S * 4/2021 Yang D26/28
D919,845 S * 5/2021 Lin D26/28
D921,945 S * 6/2021 Lin D26/28
D927,741 S * 8/2021 Lin D26/28
D928,999 S * 8/2021 Wu D26/28
D929,622 S * 8/2021 Wu D26/28

* cited by examiner

Primary Examiner — Angela J Lee

(74) *Attorney, Agent, or Firm* — Alexander Chen, Esq.

(57) **CLAIM**

The ornamental design for an automobile headlight, as shown and described.

DESCRIPTION

FIG. 1 is a perspective view of an automobile headlight;
FIG. 2 is a front view thereof;
FIG. 3 is a side view thereof;
FIG. 4 is a top view thereof; and,
FIG. 5 is a bottom view thereof.

The broken lines shown in the drawings represent portions of the automobile headlight that form no part of the claimed design.

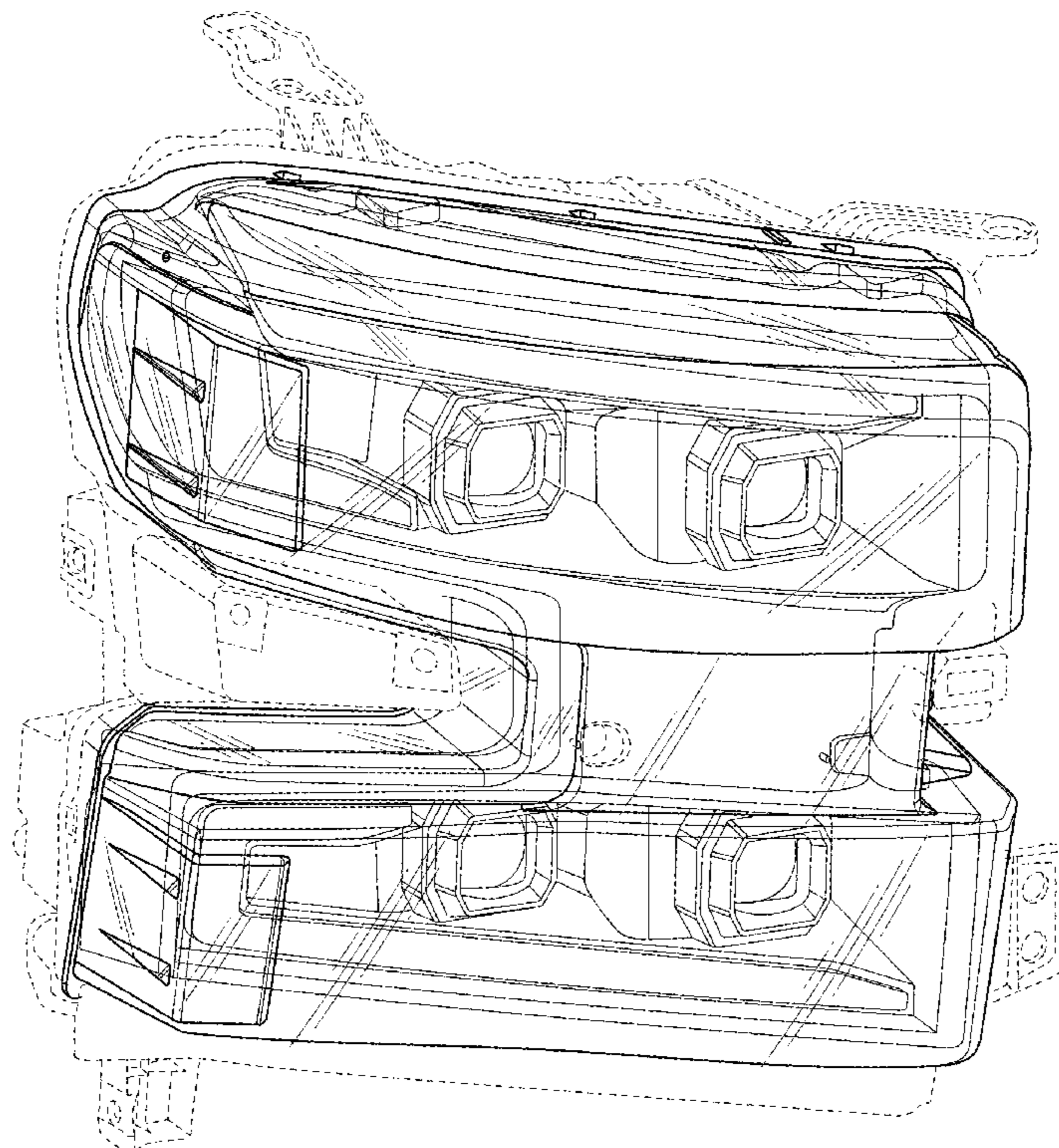
The drawings and descriptions represent the left side embodiment. The claim is also for a mirror image right side embodiment.

1 Claim, 5 Drawing Sheets

(56) **References Cited**

U.S. PATENT DOCUMENTS

D846,770 S 4/2019 Kozub
D859,708 S 9/2019 Kozub
D874,039 S * 1/2020 He D26/28
D874,040 S * 1/2020 He D26/28
D874,696 S * 2/2020 He D26/28
D883,536 S * 5/2020 Lin D26/28



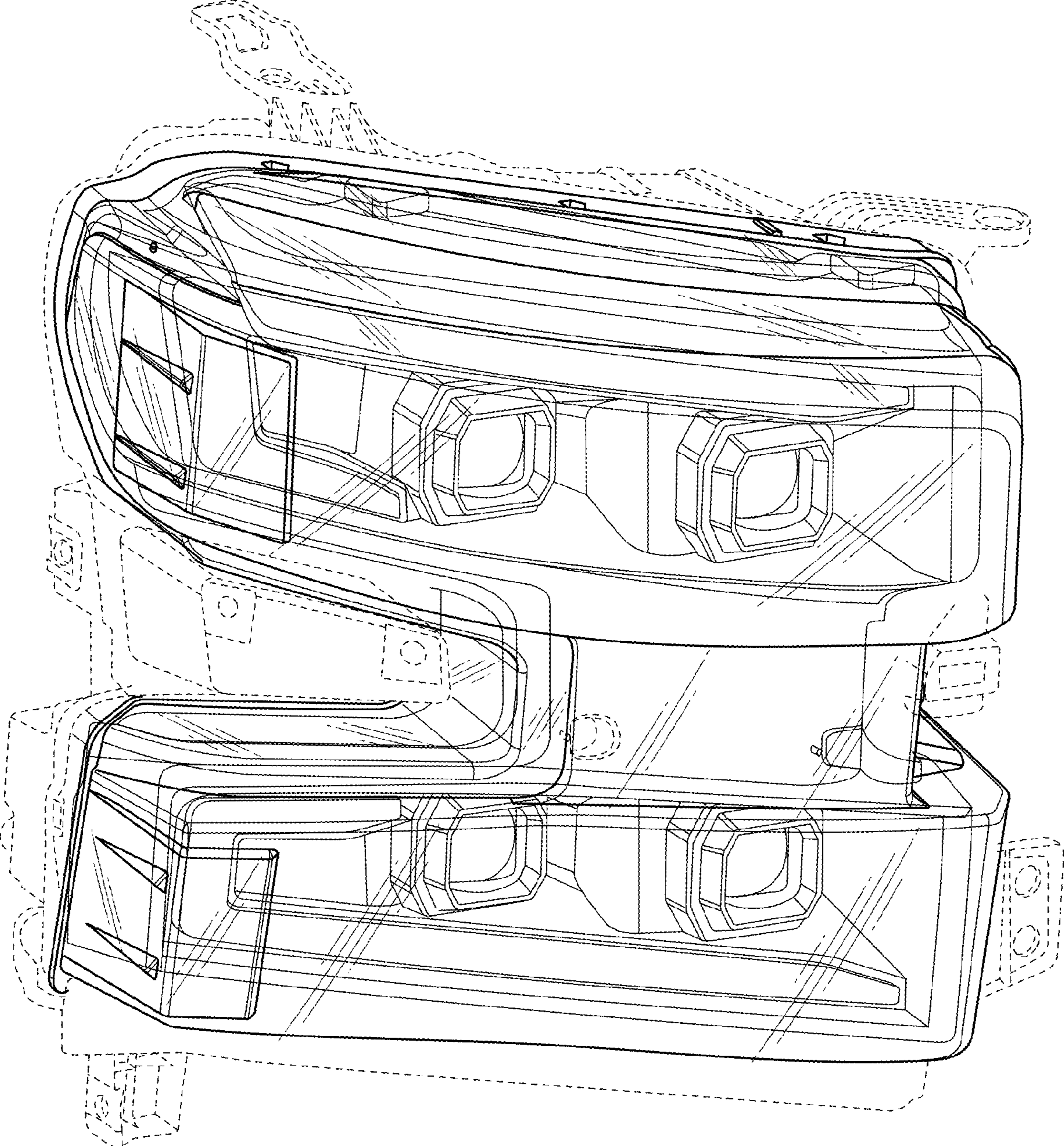


FIG. 1

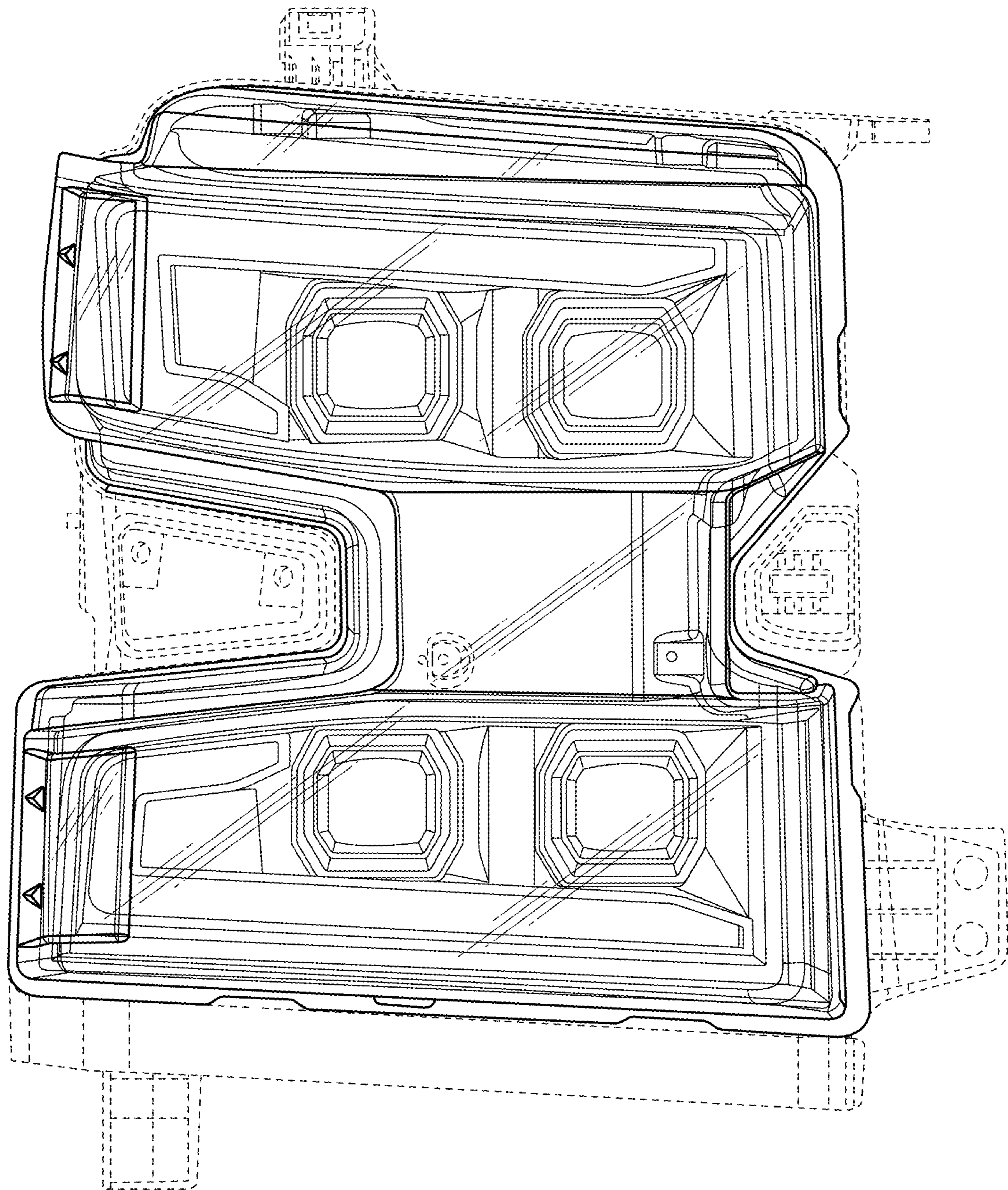


FIG. 2

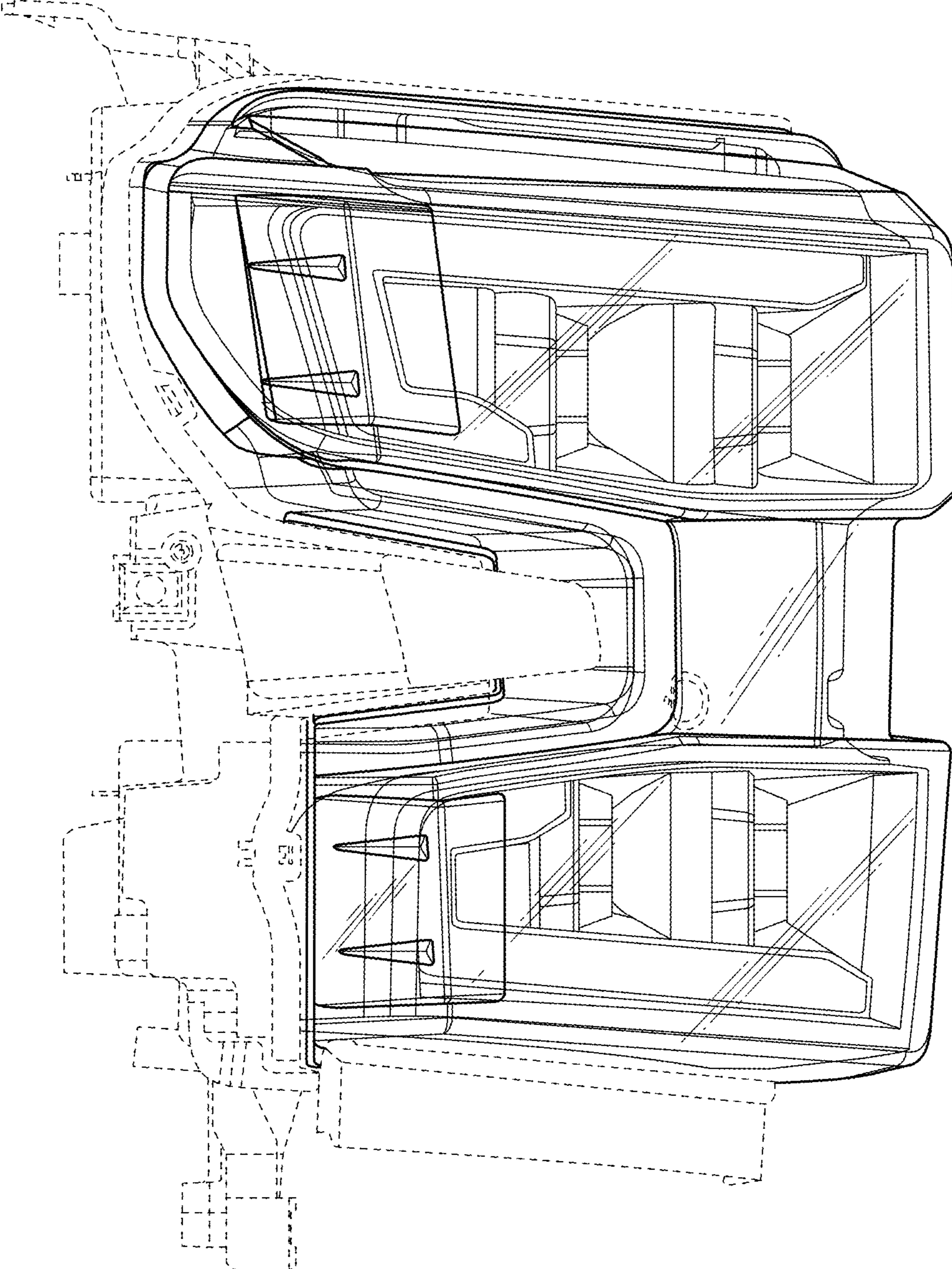


FIG. 3

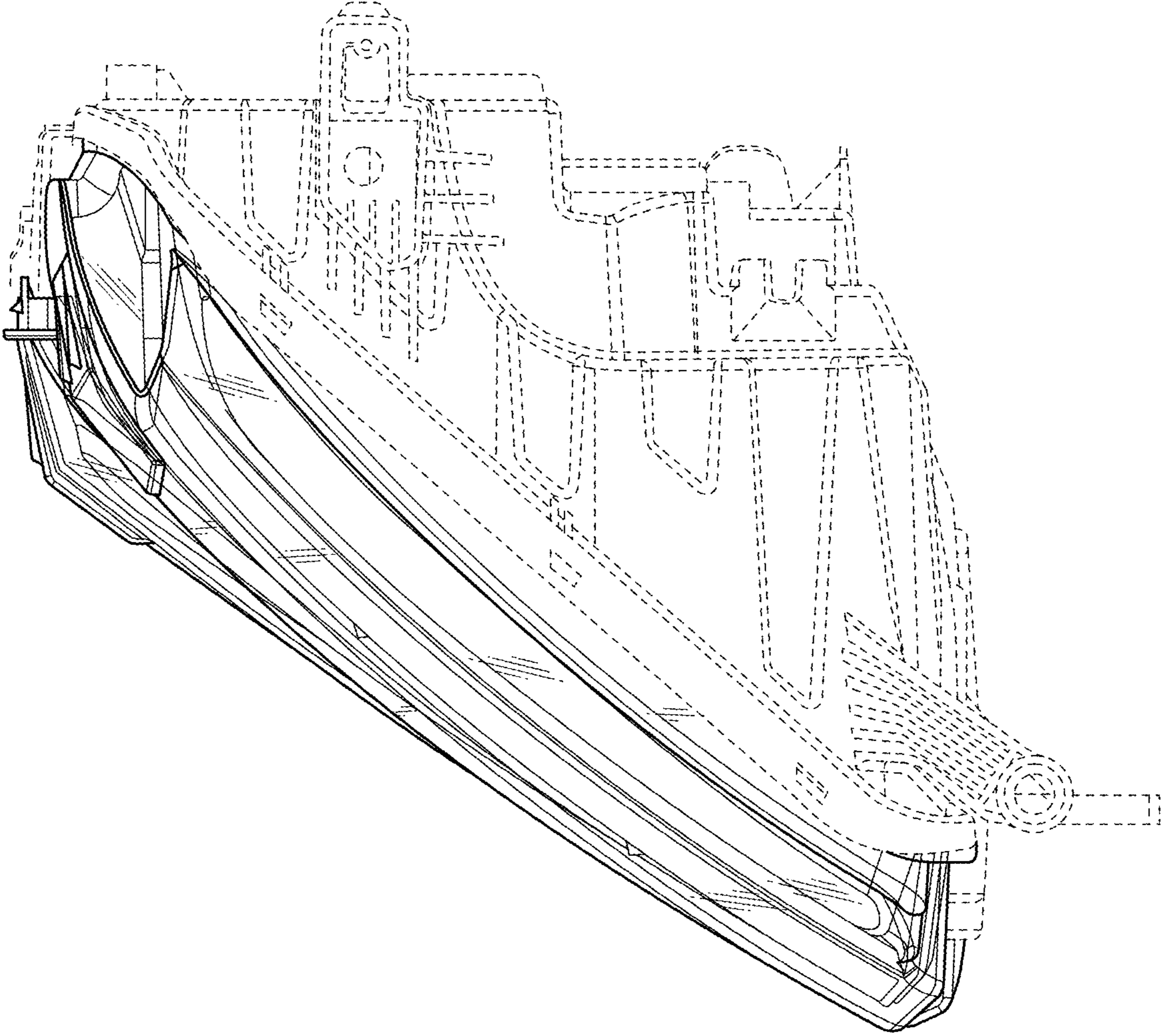


FIG. 4

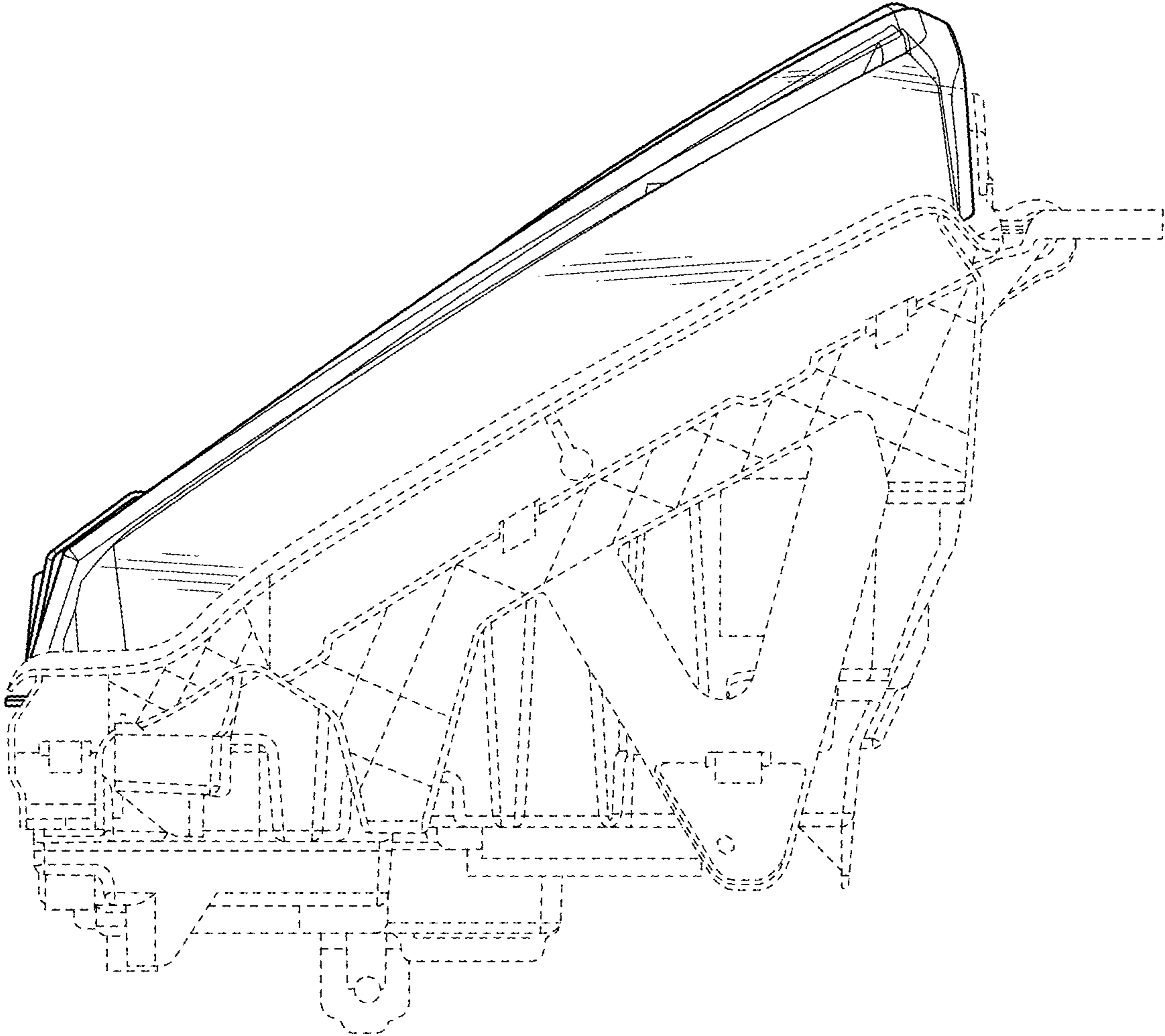


FIG. 5