

US00D938078S

(12) **United States Design Patent**
Sugimura

(10) **Patent No.:** **US D938,078 S**

(45) **Date of Patent:** **** Dec. 7, 2021**

(54) **REAR COMBINATION LAMP FOR AN AUTOMOBILE**

(71) Applicant: **Honda Motor Co., Ltd.**, Tokyo (JP)

(72) Inventor: **Rentaro Sugimura**, Wako (JP)

(73) Assignee: **HONDA MOTOR CO., LTD.**, Tokyo (JP)

(**) Term: **15 Years**

(21) Appl. No.: **29/734,812**

(22) Filed: **May 15, 2020**

(30) **Foreign Application Priority Data**

Nov. 28, 2019 (JP) 2019-026398

(51) **LOC (13) Cl.** **26-06**

(52) **U.S. Cl.**
USPC **D26/28**

(58) **Field of Classification Search**
CPC F21S 48/00; F21S 48/10; F21S 48/115;
F21S 48/225; F21S 48/1233; F21S 48/1266; F21S 48/1388; F21S 48/2268;
F21V 21/04; F21V 29/004; B60Q 9/13;
B60Q 9/135; B60Q 9/1375
See application file for complete search history.

(56) **References Cited**

U.S. PATENT DOCUMENTS

D412,214 S * 7/1999 Hejtmanek D26/28
D679,432 S * 4/2013 Frenzel D26/28

D714,978 S * 10/2014 Lee D26/28
D720,484 S * 12/2014 Nordmann D26/28
D739,583 S * 9/2015 Forsgren D26/28
D749,247 S * 2/2016 Han D26/28
D755,420 S * 5/2016 Ko G01C 21/20
D26/28
D761,979 S * 7/2016 Wu D26/28
D834,228 S * 11/2018 Lee D26/28
D841,202 S * 2/2019 Badstuebner D26/28

* cited by examiner

Primary Examiner — Marcus A Jackson

(74) *Attorney, Agent, or Firm* — Plumsea Law Group, LLC

(57) **CLAIM**

The ornamental design for a rear combination lamp for an automobile, as shown and described.

DESCRIPTION

FIG. 1 is a front left perspective view of a rear combination lamp for an automobile.
FIG. 2 is a rear right perspective view thereof.
FIG. 3 is a front view thereof.
FIG. 4 is a rear view thereof.
FIG. 5 is a right side view thereof.
FIG. 6 is a left side view thereof.
FIG. 7 is a top view thereof; and,
FIG. 8 is a bottom view thereof.

1 Claim, 8 Drawing Sheets



FIG. 1

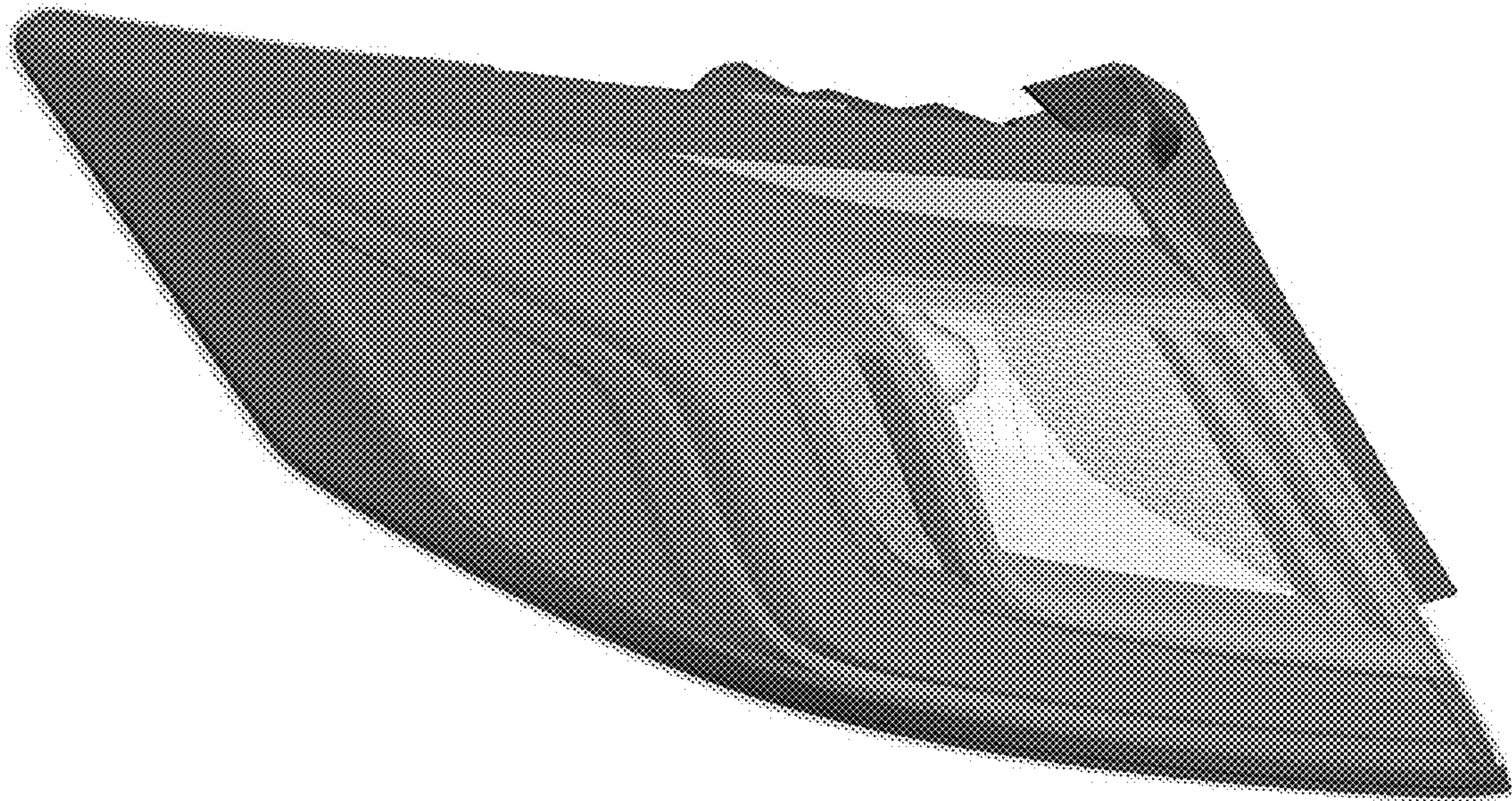


FIG. 2

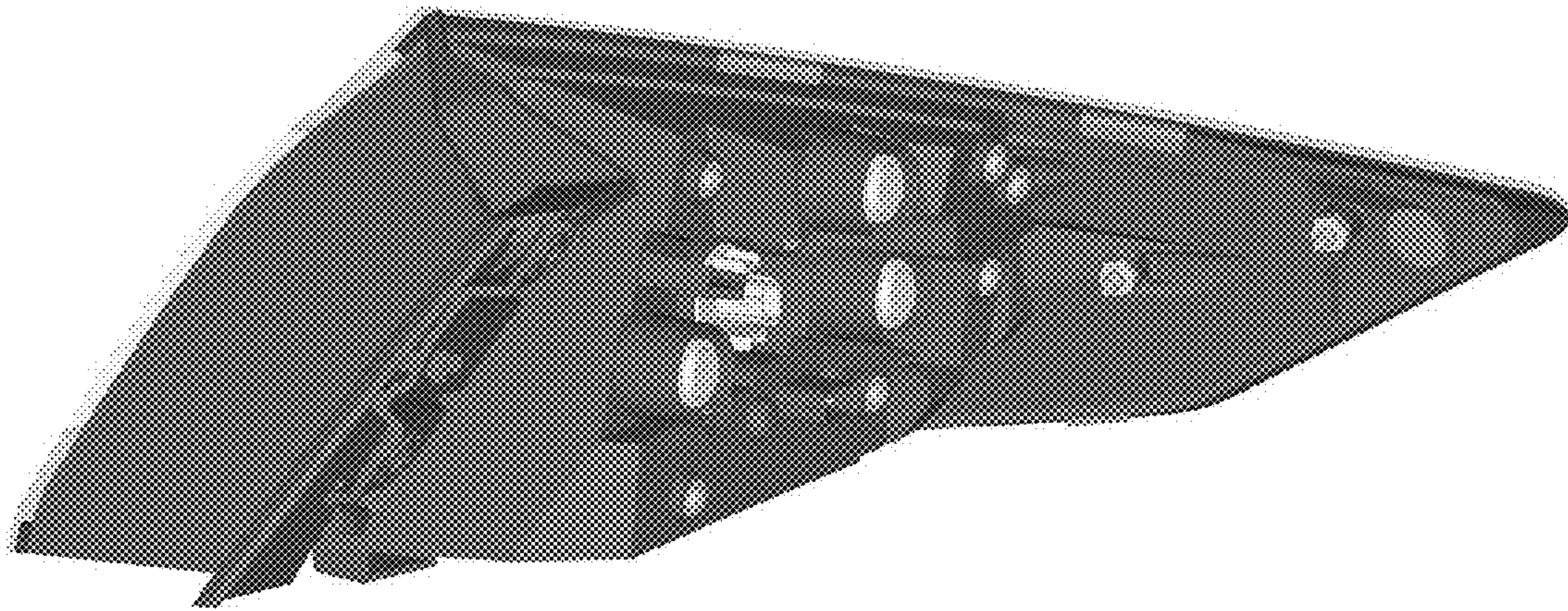


FIG. 3

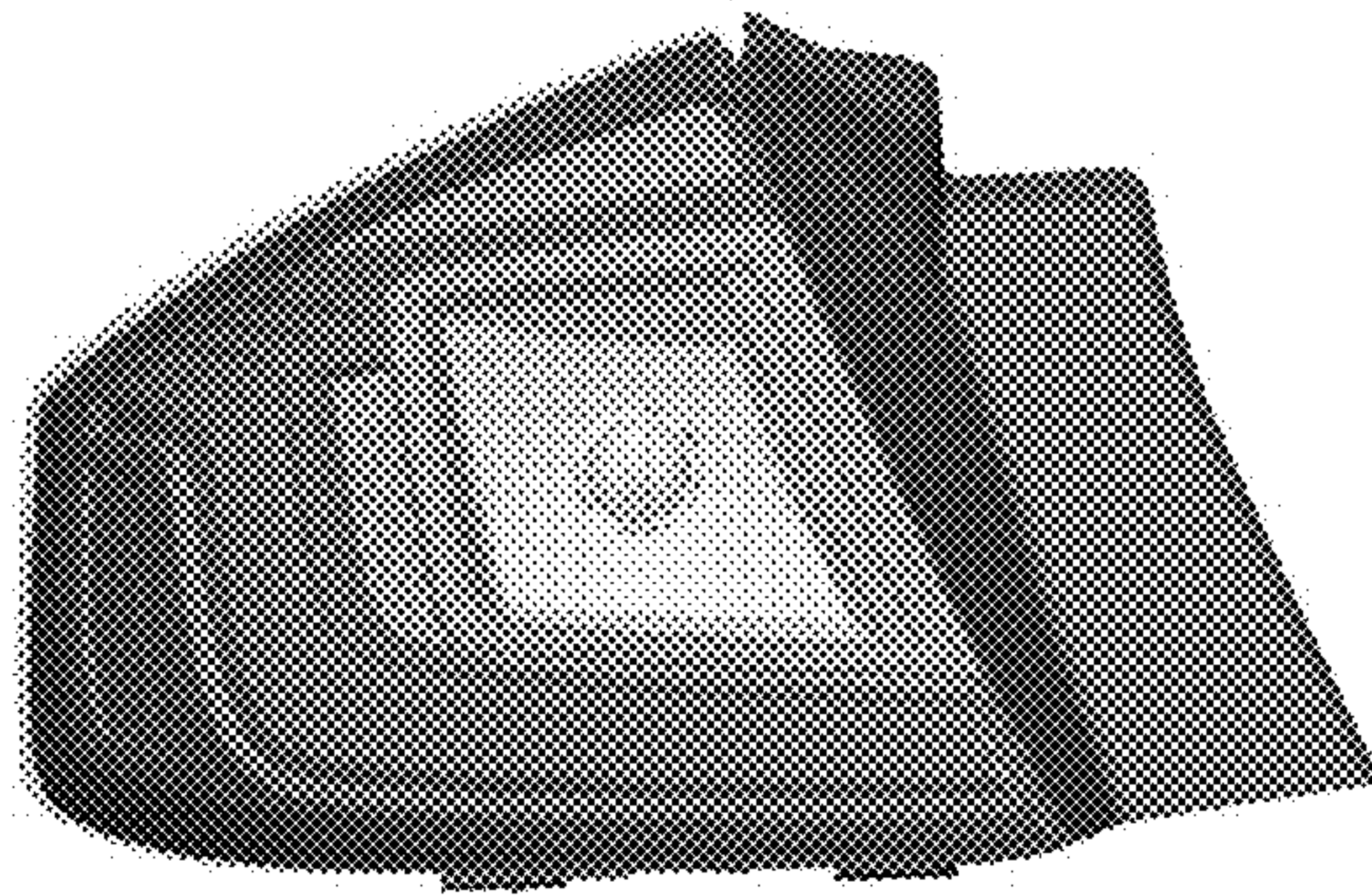


FIG. 4

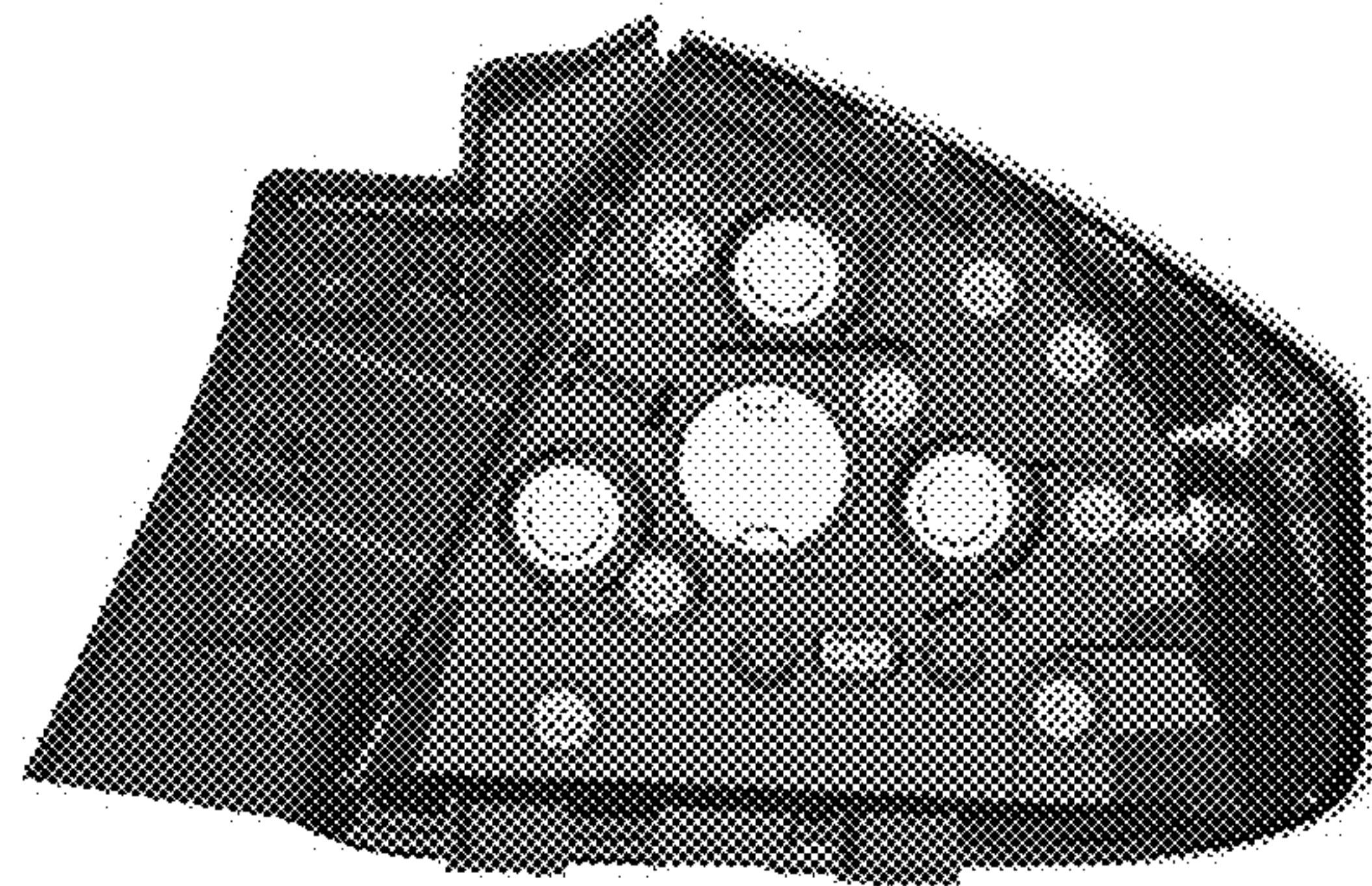


FIG. 5

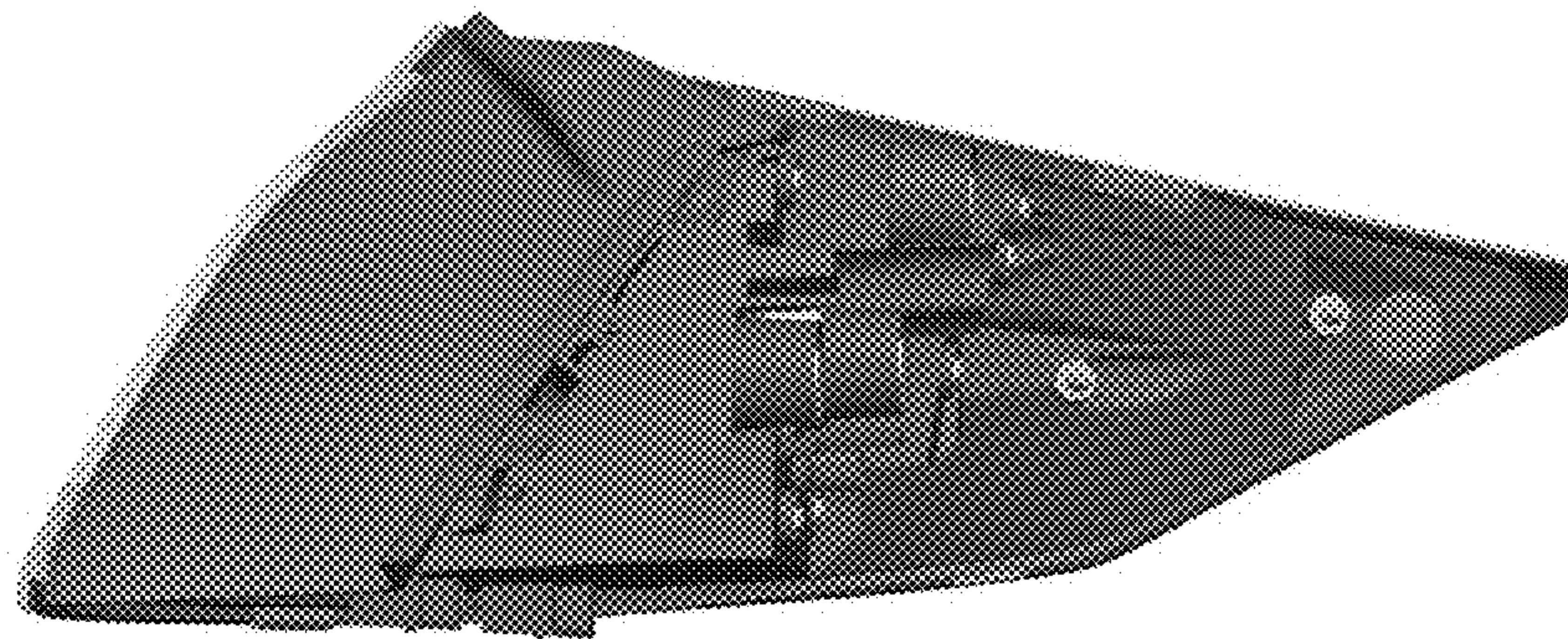


FIG. 6

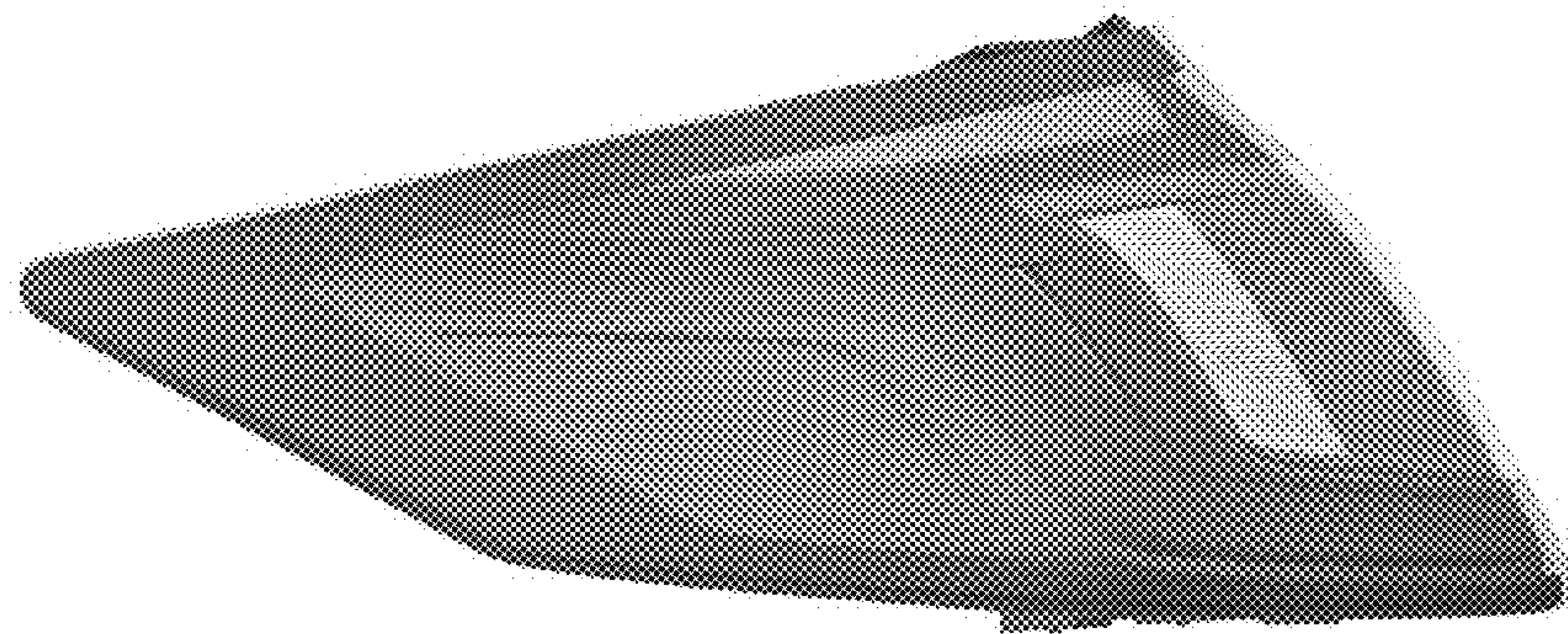


FIG. 7

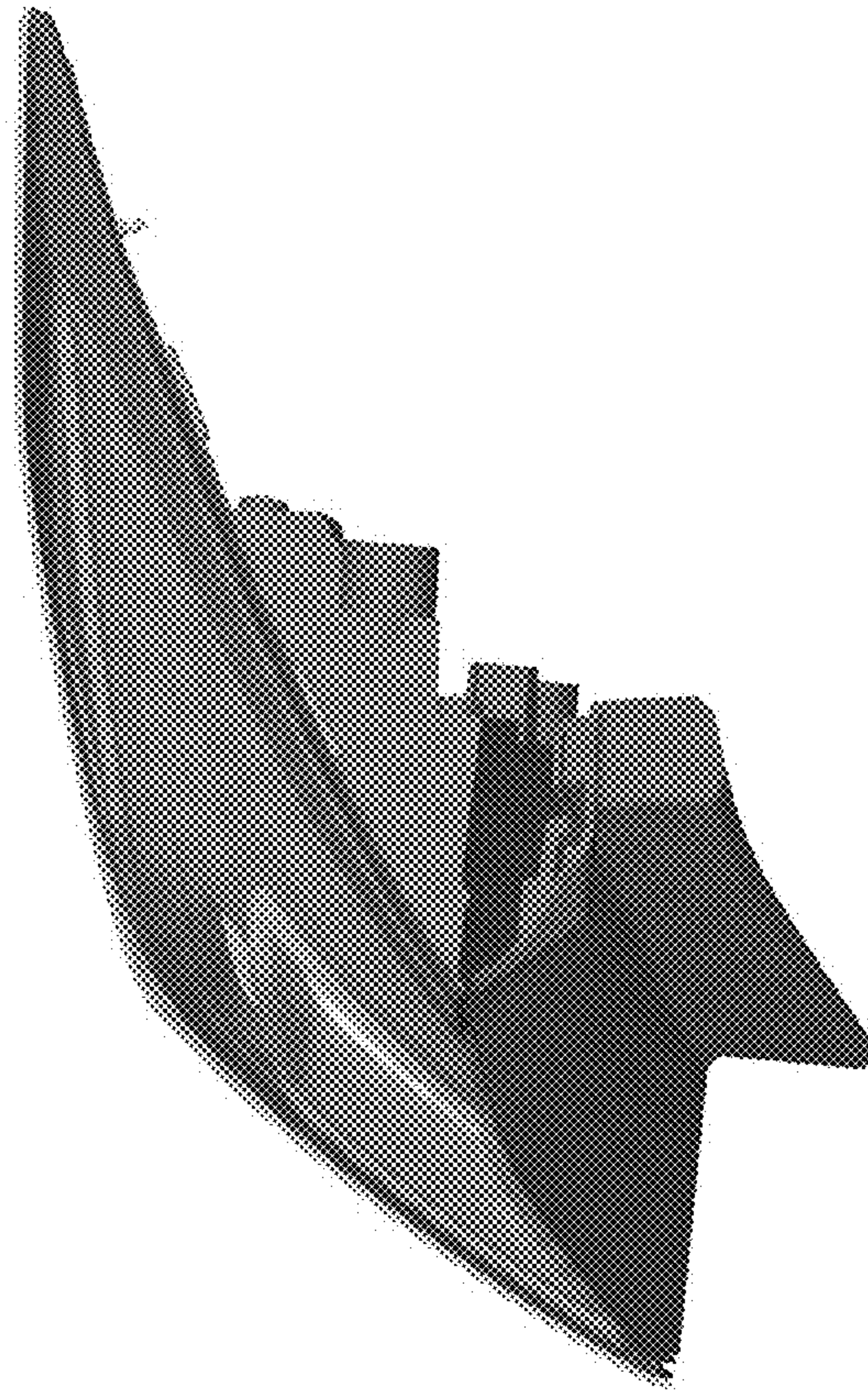


FIG. 8

