



US00D938076S

(12) **United States Design Patent** (10) **Patent No.:** **US D938,076 S**
Lin (45) **Date of Patent:** **** Dec. 7, 2021**

(54) **AUTOMOBILE HEADLIGHT**
(71) Applicant: **Chi-Chung Lin**, Hsinchu (TW)
(72) Inventor: **Chi-Chung Lin**, Hsinchu (TW)
(**) Term: **15 Years**
(21) Appl. No.: **29/730,708**
(22) Filed: **Apr. 7, 2020**
(51) **LOC (13) Cl.** **26-06**
(52) **U.S. Cl.**
USPC **D26/28**
(58) **Field of Classification Search**
USPC D26/28, 29, 30, 31, 32, 33, 34, 35, 36,
D26/44
CPC F21S 48/00; F21S 48/10; F21S 48/115;
F21S 48/225; F21S 48/1233; F21S
48/1266; F21S 48/1388; F21S 48/2268;
F21V 21/04; F21W 2103/35; F21W 3/40;
F21W 2102/17; F21W 2102/30; F21W
2103/00; F21W 2103/55; F21W 2104/00;
F21W 2107/17; F21W 2107/13
See application file for complete search history.

D470,614 S 2/2003 Chuang et al.
D471,303 S 3/2003 Pan et al.
D472,994 S 4/2003 Horowitz
D472,996 S 4/2003 Horowitz
D473,666 S 4/2003 Horowitz
D475,473 S 6/2003 Horowitz
D475,474 S 6/2003 Hsieh et al.
D476,100 S * 6/2003 Lin D26/28
D477,677 S 7/2003 Wu
D478,182 S * 8/2003 Lin D26/28
D481,474 S 10/2003 Yang
D483,886 S 12/2003 Horowitz
D485,936 S 1/2004 Tsai
D488,584 S 4/2004 Tsai
D491,299 S 6/2004 Simmons et al.
D497,017 S * 10/2004 He D26/28
D540,967 S 4/2007 Rogers
D553,766 S 10/2007 Golden et al.
D584,839 S 1/2009 Choi et al.
D591,231 S 4/2009 Wung et al.
D631,995 S 2/2011 Huschke

(Continued)

Primary Examiner — Angela J Lee
(74) Attorney, Agent, or Firm — Alexander Chen, Esq.

(57) **CLAIM**

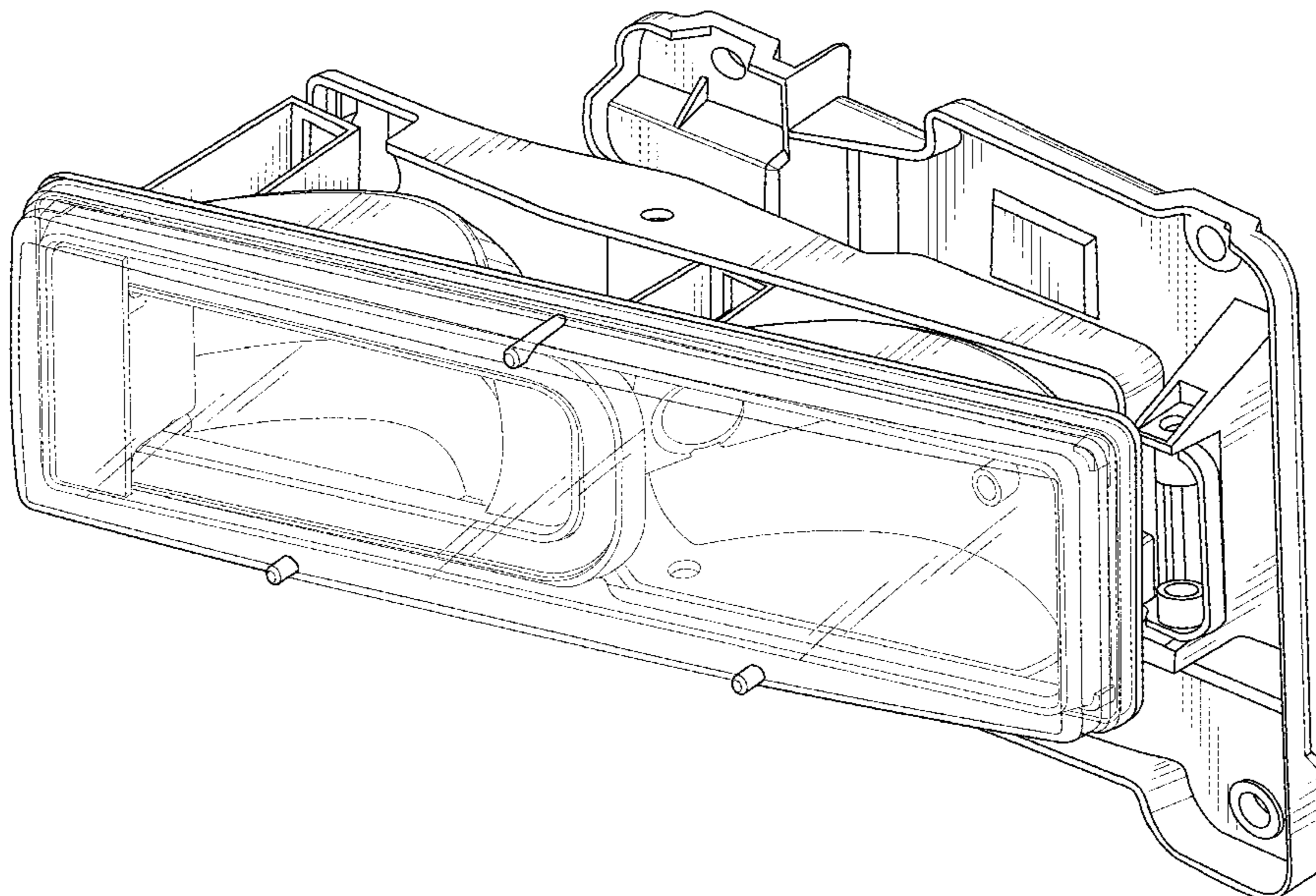
The ornamental design for an automobile headlight, as shown and described.

DESCRIPTION

FIG. 1 is a perspective view of an automobile headlight; FIG. 2 is a front view thereof; FIG. 3 is a side view thereof; FIG. 4 is a top view thereof; and, FIG. 5 is a bottom view thereof. The broken lines are included to show environmental structure and form no part of the claimed design. The drawings and descriptions represent the left side embodiment. The claim is also for a mirror image right side embodiment.

1 Claim, 5 Drawing Sheets

(56) **References Cited**
U.S. PATENT DOCUMENTS
D388,200 S 12/1997 Tomforde et al.
D449,898 S 10/2001 Horowitz
D456,919 S 5/2002 Horowitz
D460,205 S 7/2002 Horowitz
D460,833 S 7/2002 Horowitz
D464,748 S 10/2002 Horowitz
D466,574 S 12/2002 Vito
D467,019 S 12/2002 Horowitz
D467,366 S 12/2002 Shiesh
D468,036 S 12/2002 Horowitz
D468,462 S 1/2003 Horowitz
D469,554 S 1/2003 Horowitz
D470,259 S 2/2003 Horowitz



(56)

References Cited

U.S. PATENT DOCUMENTS

| | | | | |
|----------|-----|---------|-----------------|--------|
| D694,291 | S | 11/2013 | Hottmann et al. | |
| D714,983 | S | 10/2014 | Lai | |
| D761,979 | S | 7/2016 | Wu | |
| D777,957 | S * | 1/2017 | Ha | D26/28 |
| D787,723 | S | 5/2017 | Wu | |
| D797,967 | S * | 9/2017 | Barry | D26/28 |
| D804,691 | S | 12/2017 | Lin | |
| D825,831 | S | 8/2018 | Lin | |
| D830,590 | S | 10/2018 | Lai | |
| D835,310 | S | 12/2018 | Thomas | |
| D866,851 | S | 11/2019 | Lai | |
| D871,660 | S | 12/2019 | Lai | |
| D896,416 | S * | 9/2020 | Lin | D26/28 |
| D922,626 | S * | 6/2021 | Yeh | D26/28 |
| D922,628 | S * | 6/2021 | Yeh | D26/28 |
| D922,629 | S * | 6/2021 | Yeh | D26/28 |

* cited by examiner

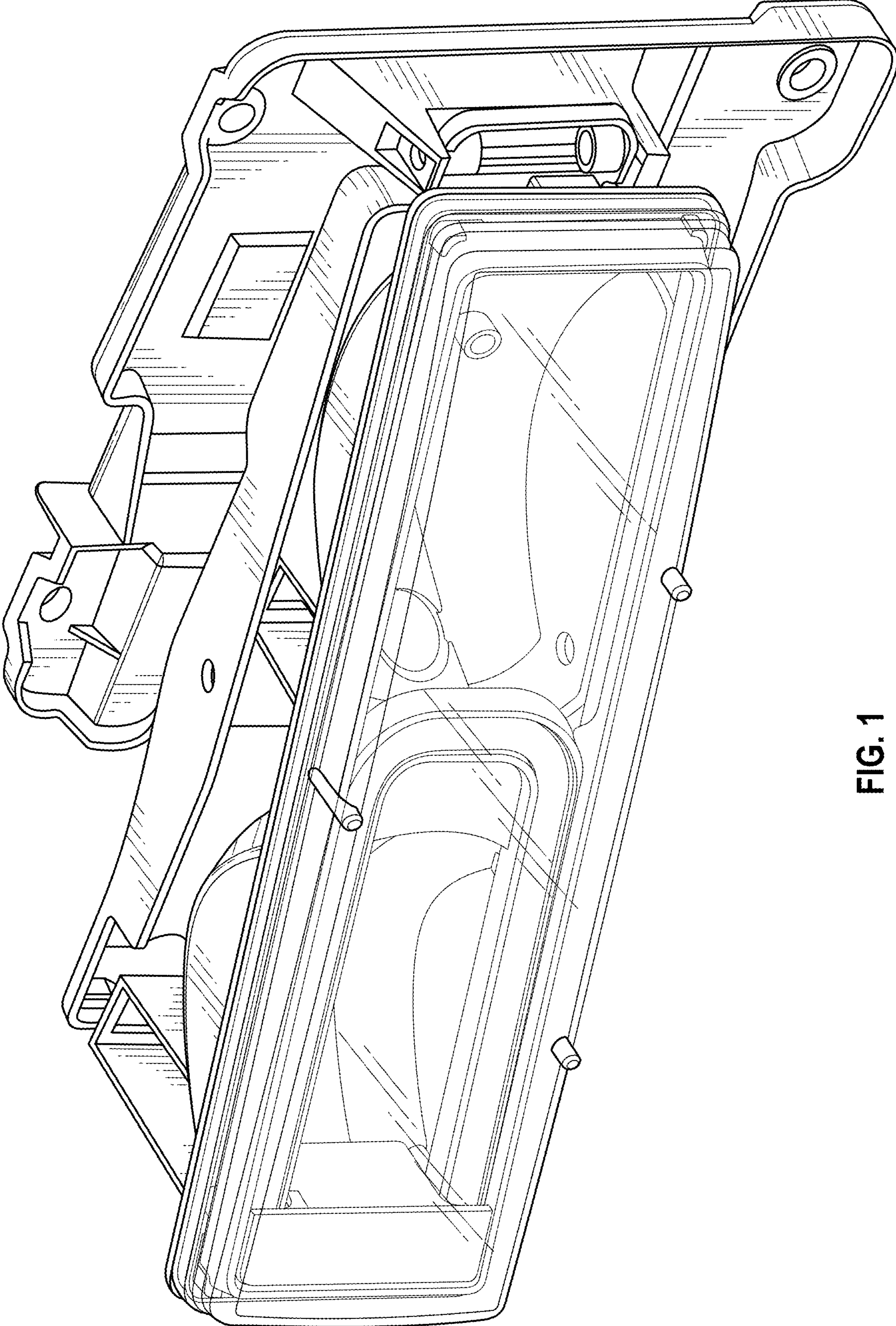


FIG. 1

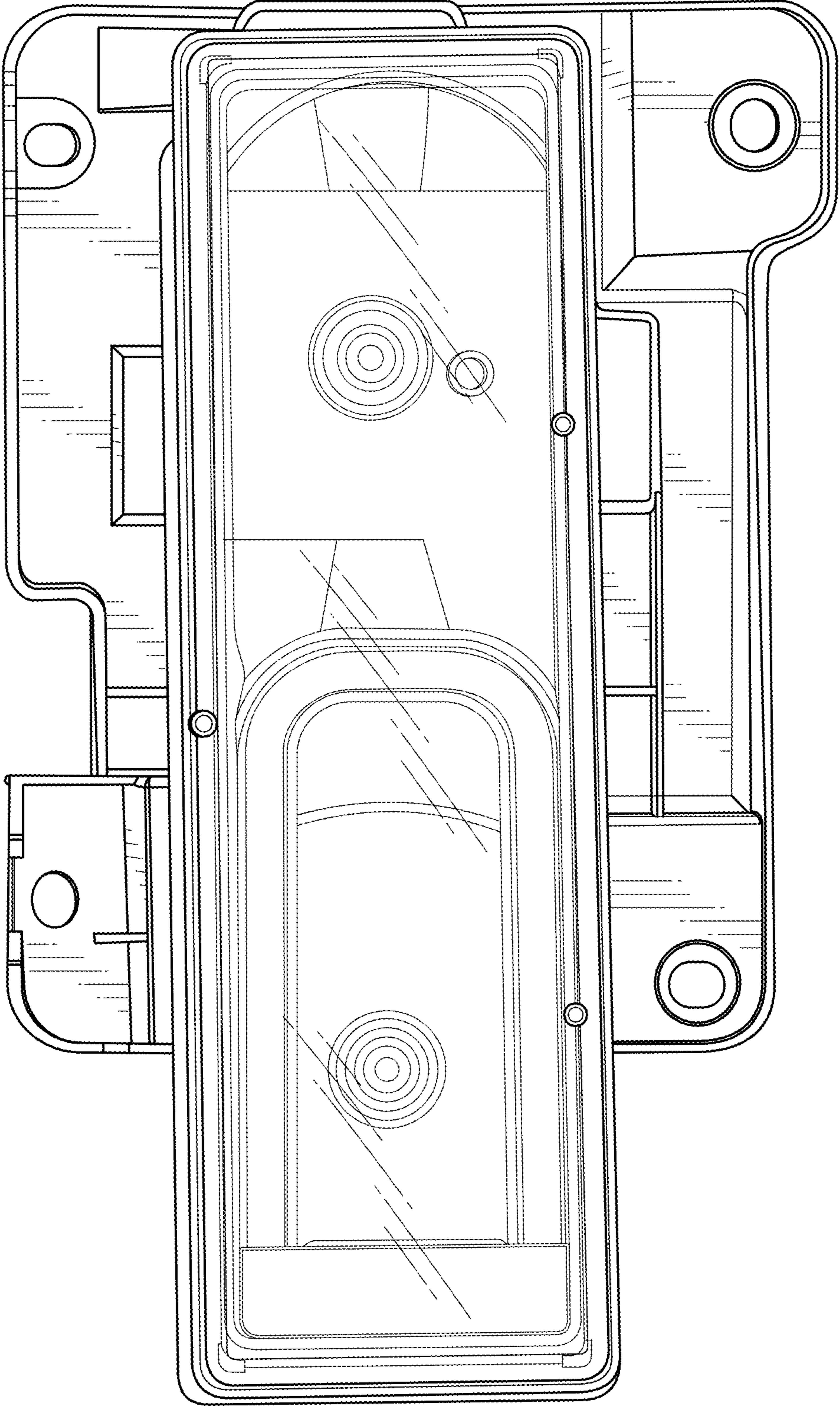


FIG. 2

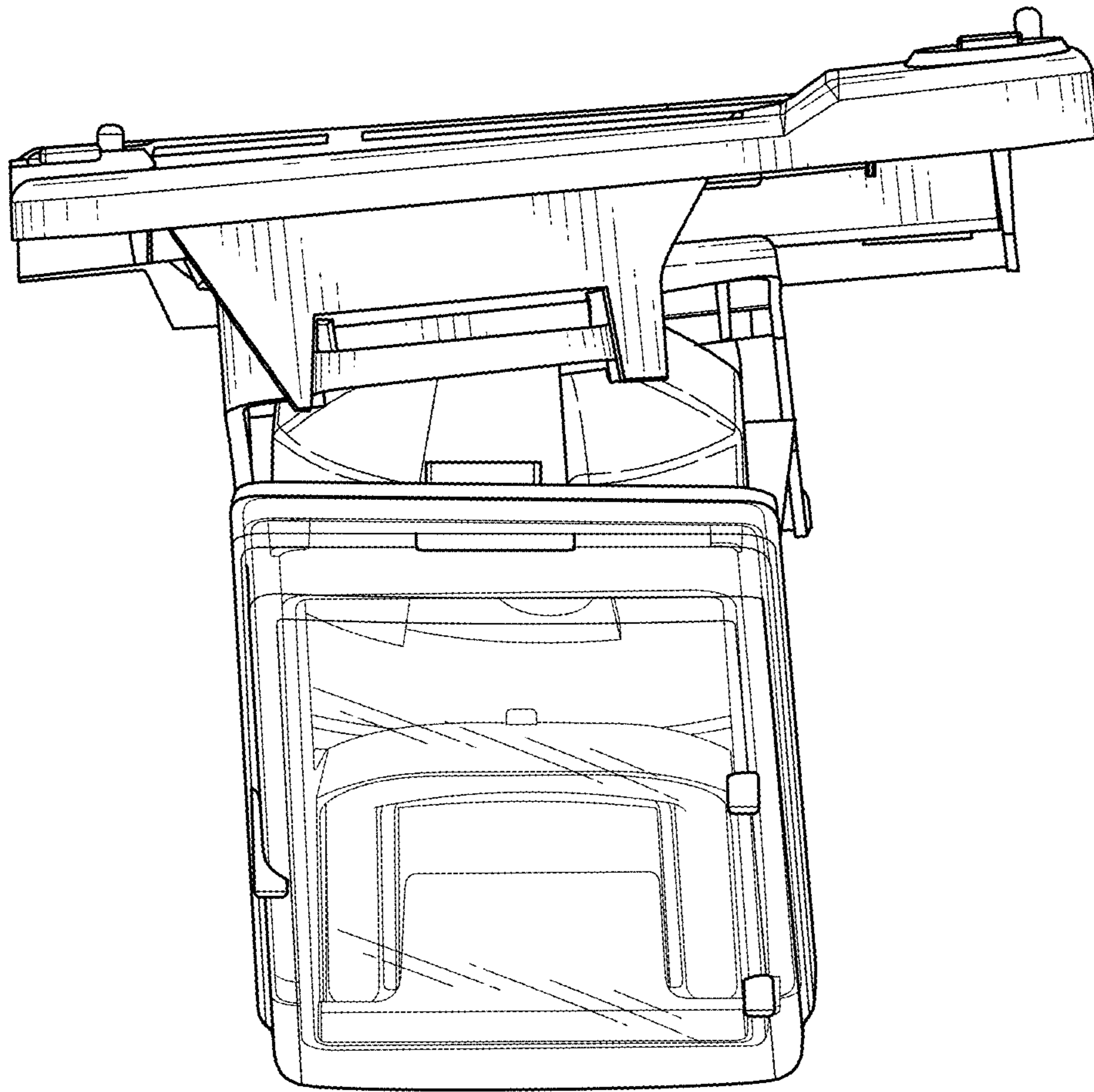


FIG. 3

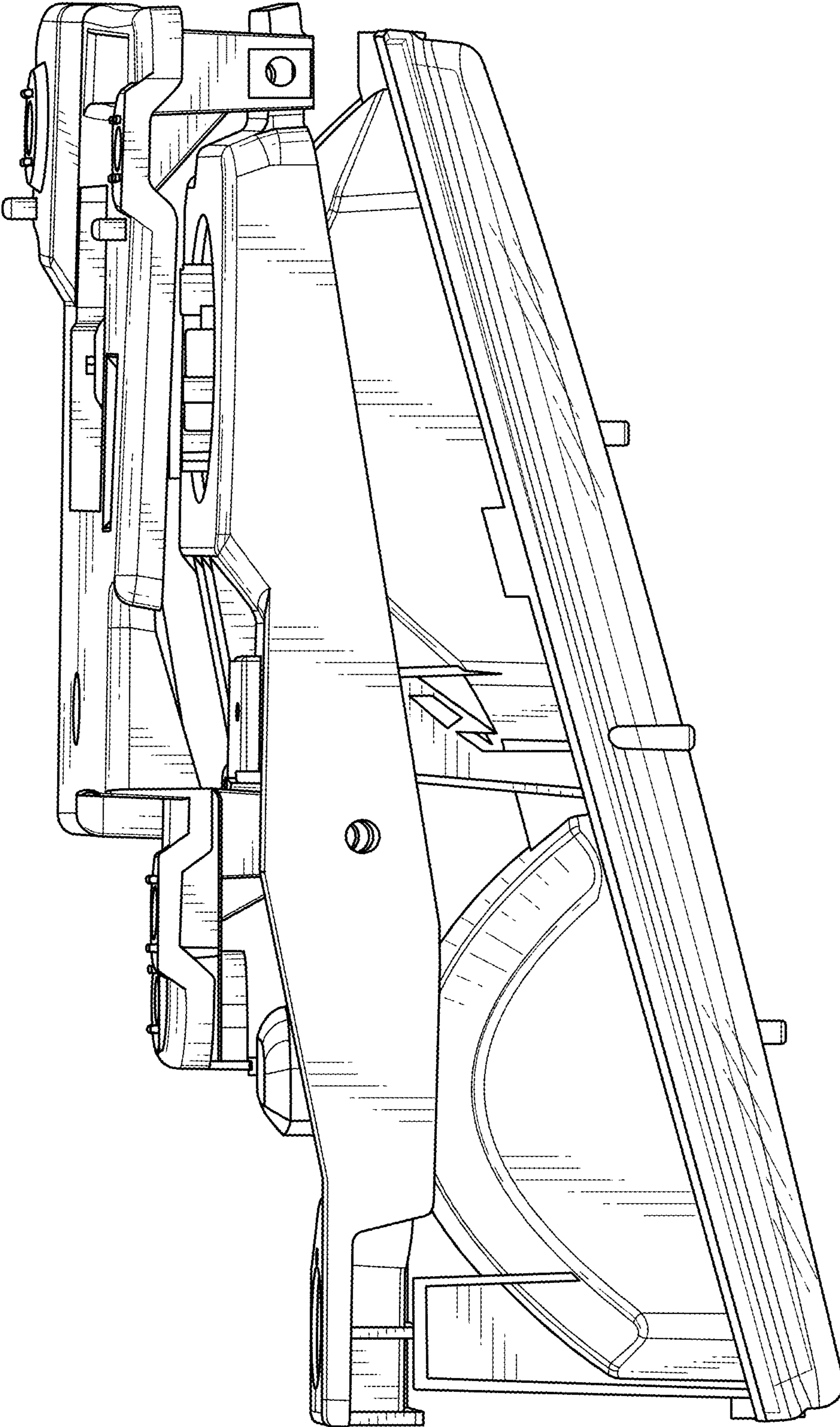


FIG. 4

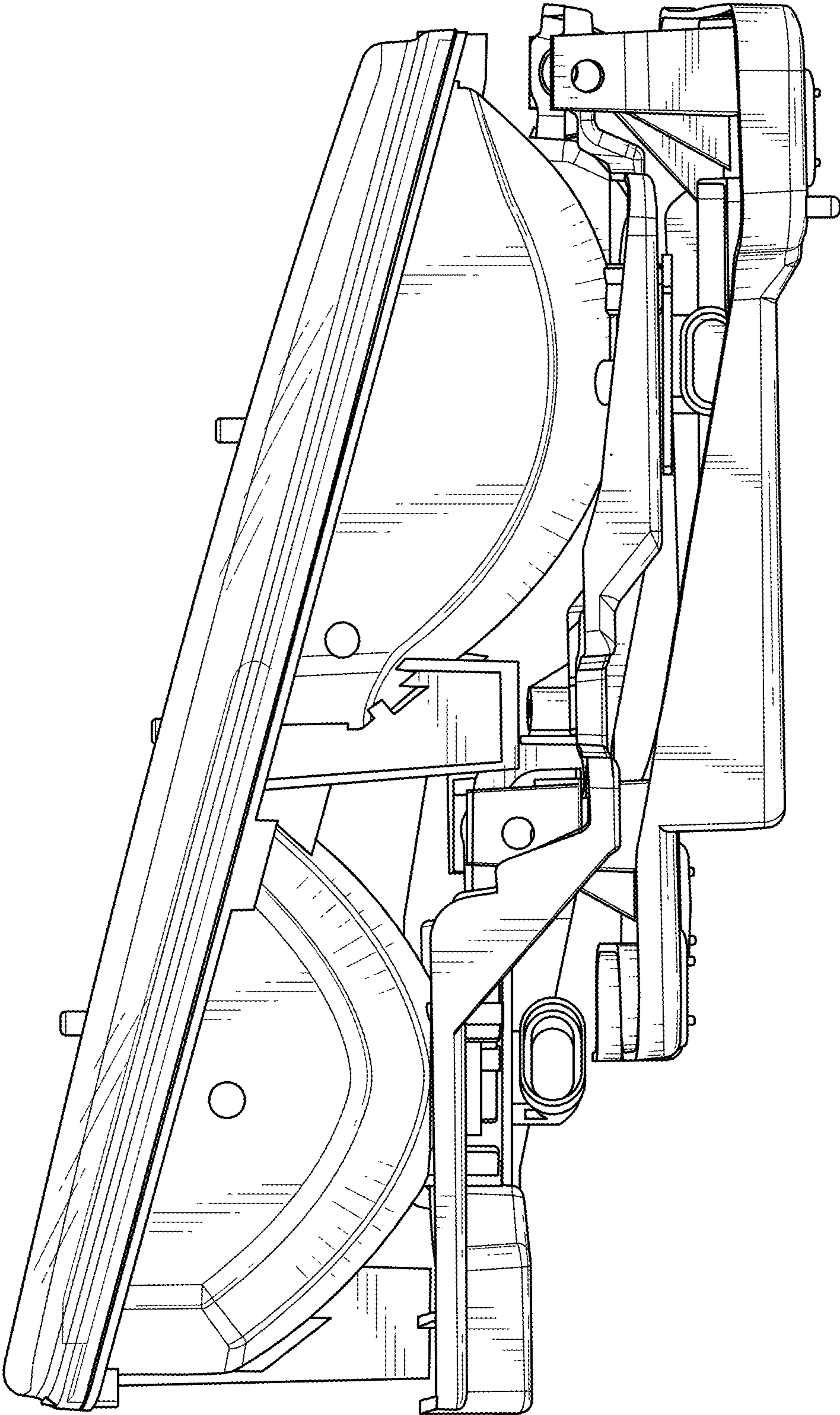


FIG. 5