



US00D938075S

(12) **United States Design Patent** (10) **Patent No.:** **US D938,075 S**
Burke et al. (45) **Date of Patent:** **** Dec. 7, 2021**

- (54) **NIGHT LIGHT**
- (71) Applicant: **Jasco Products Company LLC**,
Oklahoma City, OK (US)
- (72) Inventors: **Marde Burke**, Edmond, OK (US);
Yolanda Coronel, Edmond, OK (US)
- (73) Assignee: **Jasco Products Company LLC**,
Oklahoma City, OK (US)
- (**) Term: **15 Years**
- (21) Appl. No.: **29/741,110**
- (22) Filed: **Jul. 9, 2020**
- (51) **LOC (13) Cl.** **26-05**
- (52) **U.S. Cl.**
USPC **D26/26**
- (58) **Field of Classification Search**
USPC D26/26, 24, 113, 118, 119, 120;
D23/366, 367, 369; 362/640, 641, 642,
362/643, 644, 650, 651, 652, 653, 659
CPC F21S 8/035; F21V 23/06; F21V 23/0442;
F21W 2121/00; H01R 2103/00
See application file for complete search history.

D657,040 S *	4/2012	Young	D23/367
8,425,105 B2	4/2013	Yang		
8,662,733 B2	3/2014	Howard et al.		
D712,572 S	9/2014	Dai		
D721,449 S *	1/2015	Chen	D26/26
D729,424 S *	5/2015	Li	D26/26
D751,230 S *	3/2016	Howard	F21S 8/035 D26/26
D772,442 S	11/2016	Lange		
D790,090 S	6/2017	Howard et al.		
D790,091 S	6/2017	Howard et al.		
D812,255 S *	3/2018	Li	D26/26
D812,786 S	3/2018	Xie		
D876,677 S	2/2020	Chen et al.		
10,767,824 B2 *	9/2020	Smith	H01R 13/7175
2003/0076680 A1 *	4/2003	Stekelenburg	H01R 24/68 362/276
2003/0185020 A1 *	10/2003	Stekelenburg	F21K 9/232 362/555

* cited by examiner

Primary Examiner — Angela J Lee

(74) *Attorney, Agent, or Firm* — Resolution Legal Group;
Bruce P. LaBrie

(57) **CLAIM**

The ornamental design for a night light, as shown and described.

(56) **References Cited**

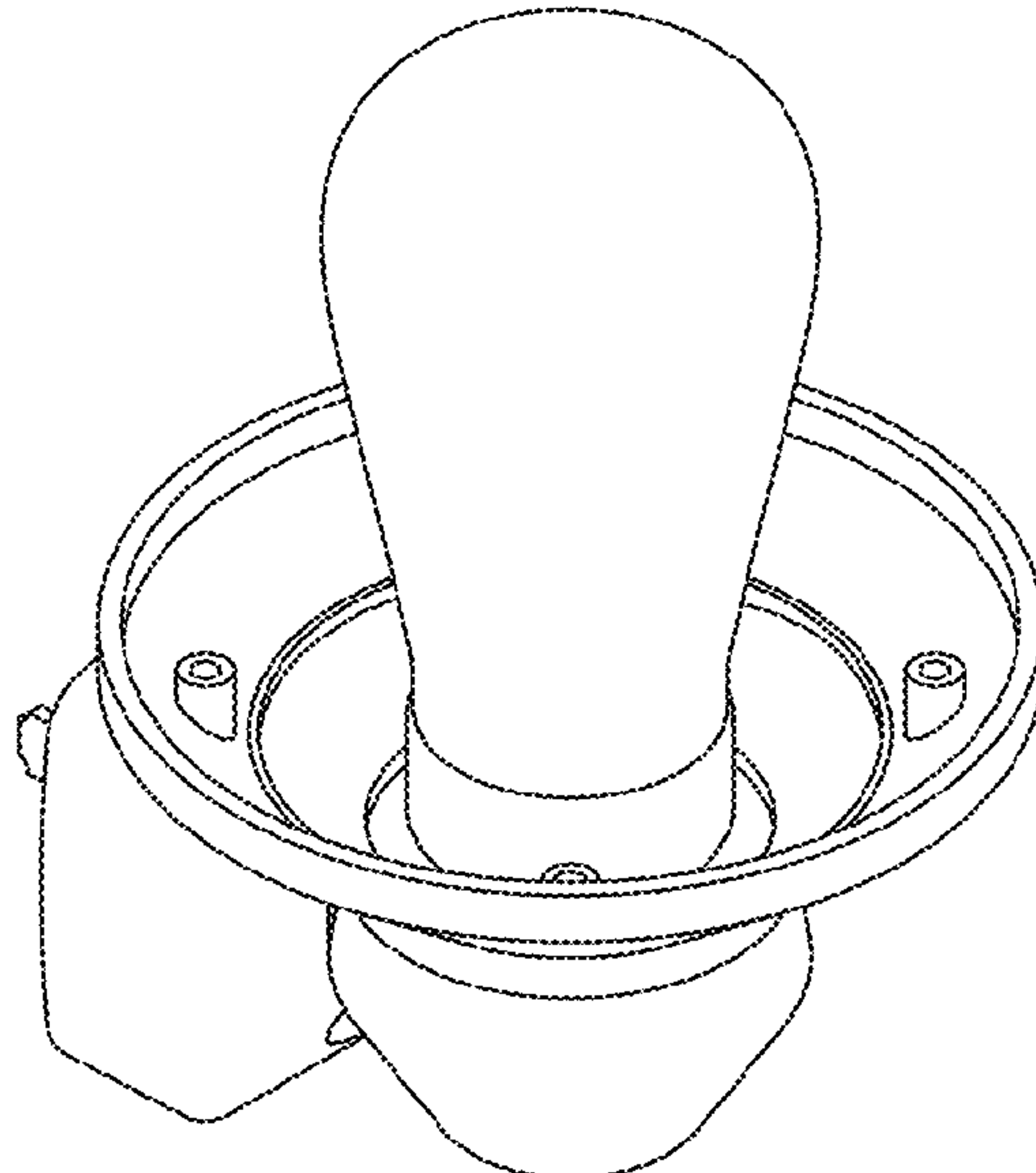
U.S. PATENT DOCUMENTS

D231,854 S *	6/1974	Martin et al.	D26/26
D427,341 S *	6/2000	Wiedemer, Jr.	D26/26
D457,667 S	5/2002	Peipgras et al.		
D458,700 S	6/2002	Yancy		
D523,972 S	6/2006	Chan		
D523,975 S	6/2006	Meyers		
D525,375 S	7/2006	Funck et al.		
D601,282 S	9/2009	Howard et al.		
D602,615 S *	10/2009	Liu	D13/108
D612,522 S	3/2010	Howard et al.		
D642,301 S *	7/2011	Rothman	D26/26
D642,707 S	8/2011	Kang et al.		
D647,608 S *	10/2011	Young	D23/366

DESCRIPTION

FIG. 1 is a front elevation view of a night light showing my new design;
 FIG. 2 is a top view thereof;
 FIG. 3 is a bottom view thereof;
 FIG. 4 is a rear view thereof;
 FIG. 5 is a left side elevation view thereof;
 FIG. 6 is a right side elevation view thereof;
 FIG. 7 is a perspective view thereof;
 FIG. 8 is a perspective view thereof; and,
 FIG. 9 is a perspective view thereof.

1 Claim, 3 Drawing Sheets



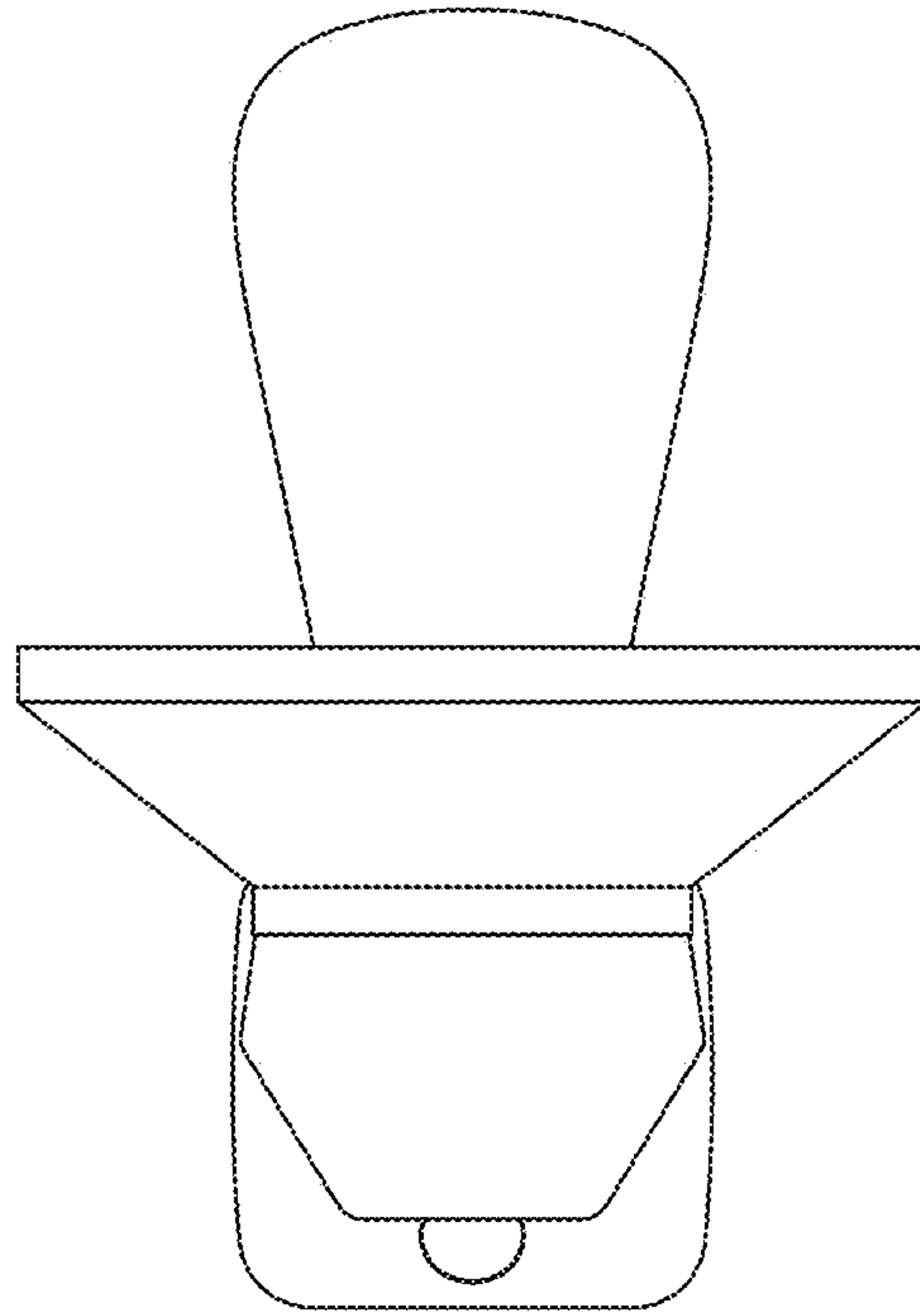


FIG. 1

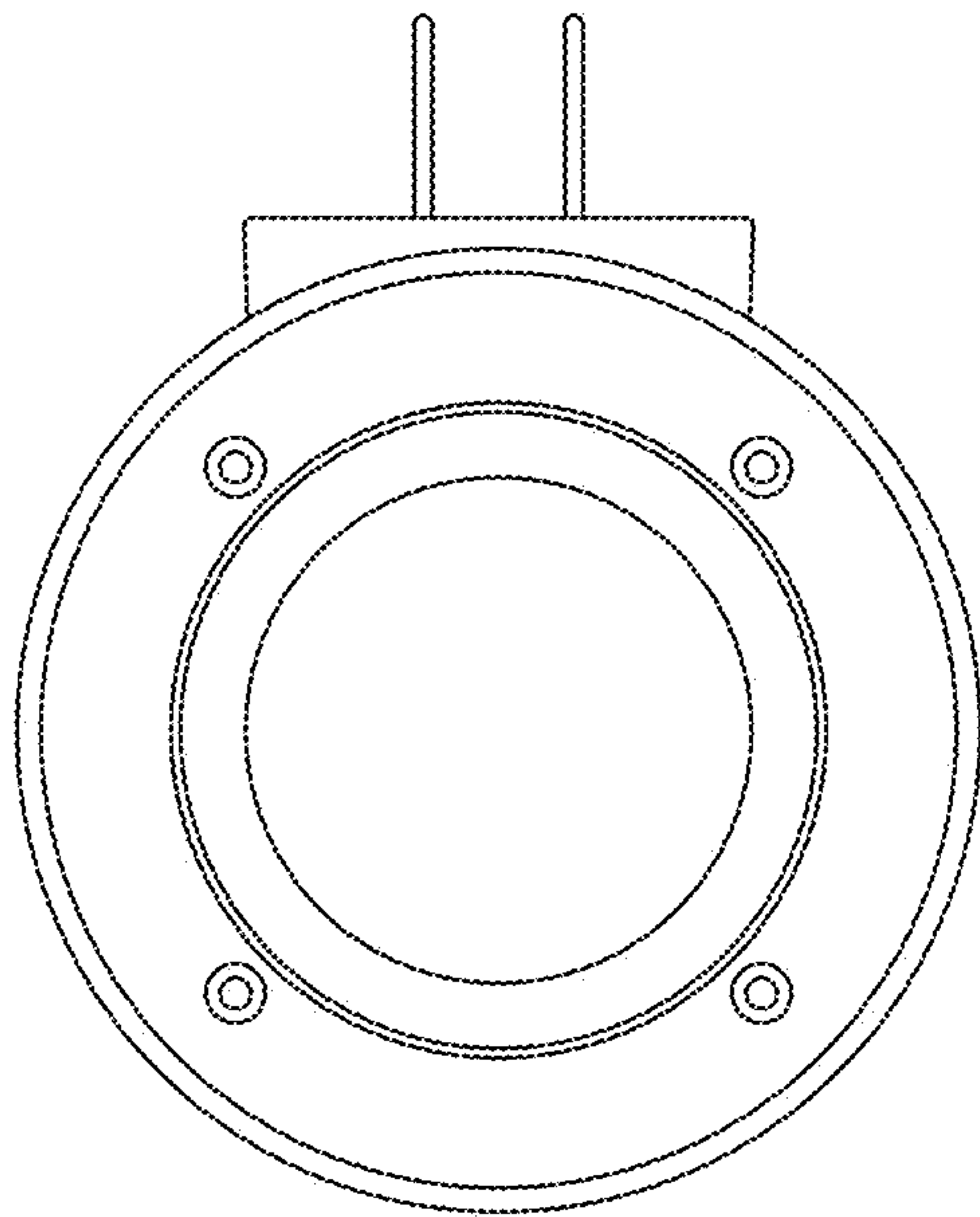


FIG. 2

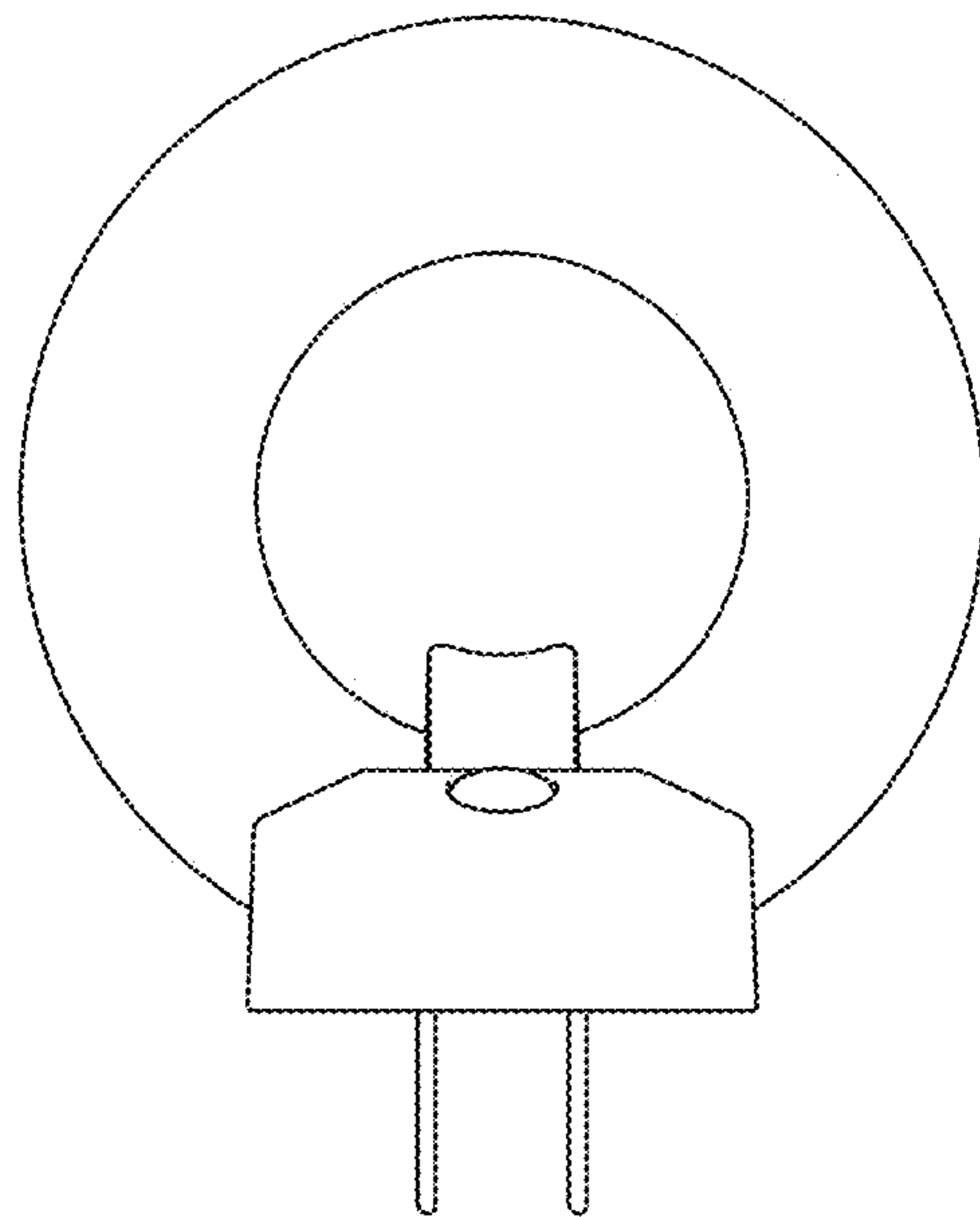


FIG. 3

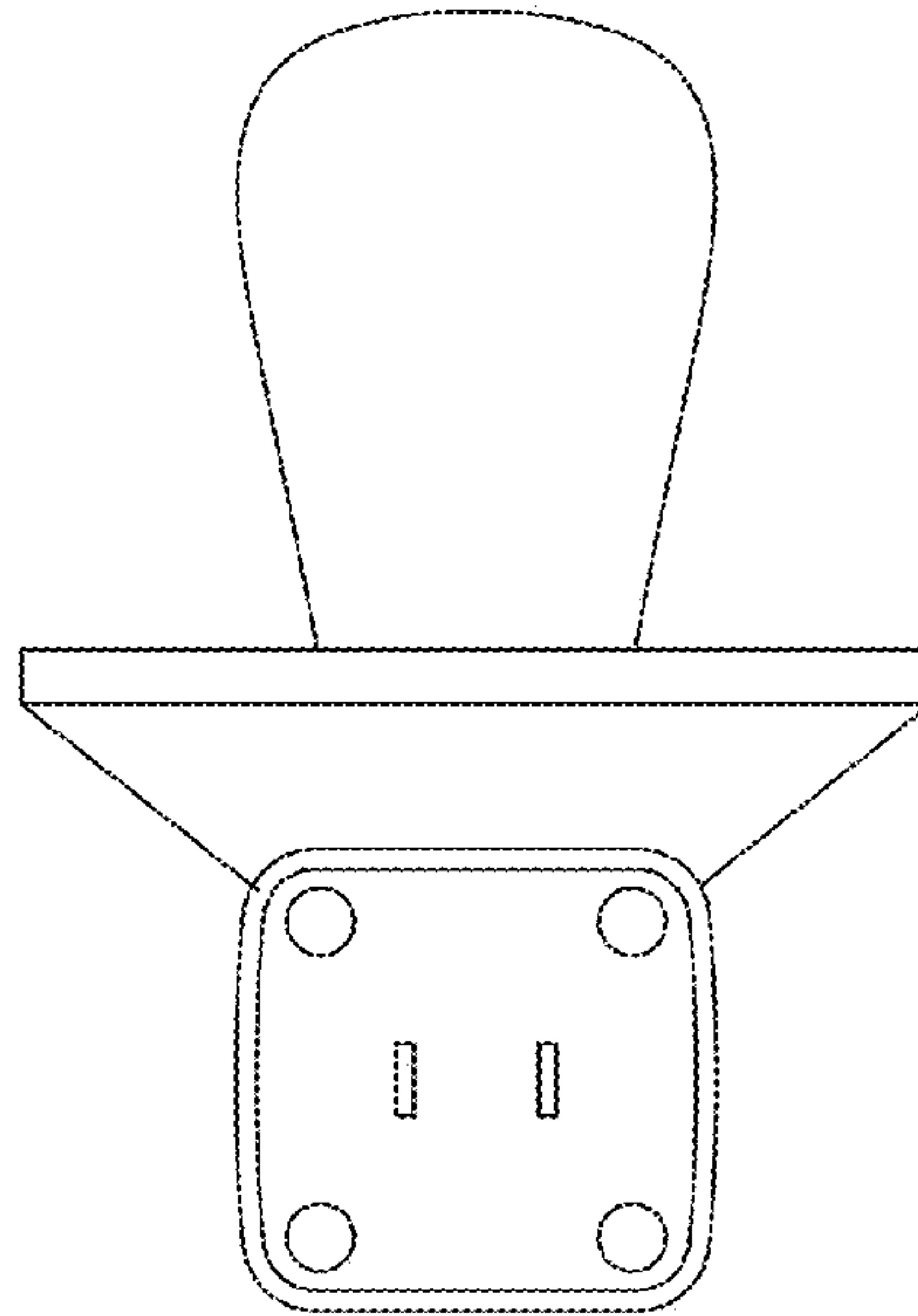


FIG. 4

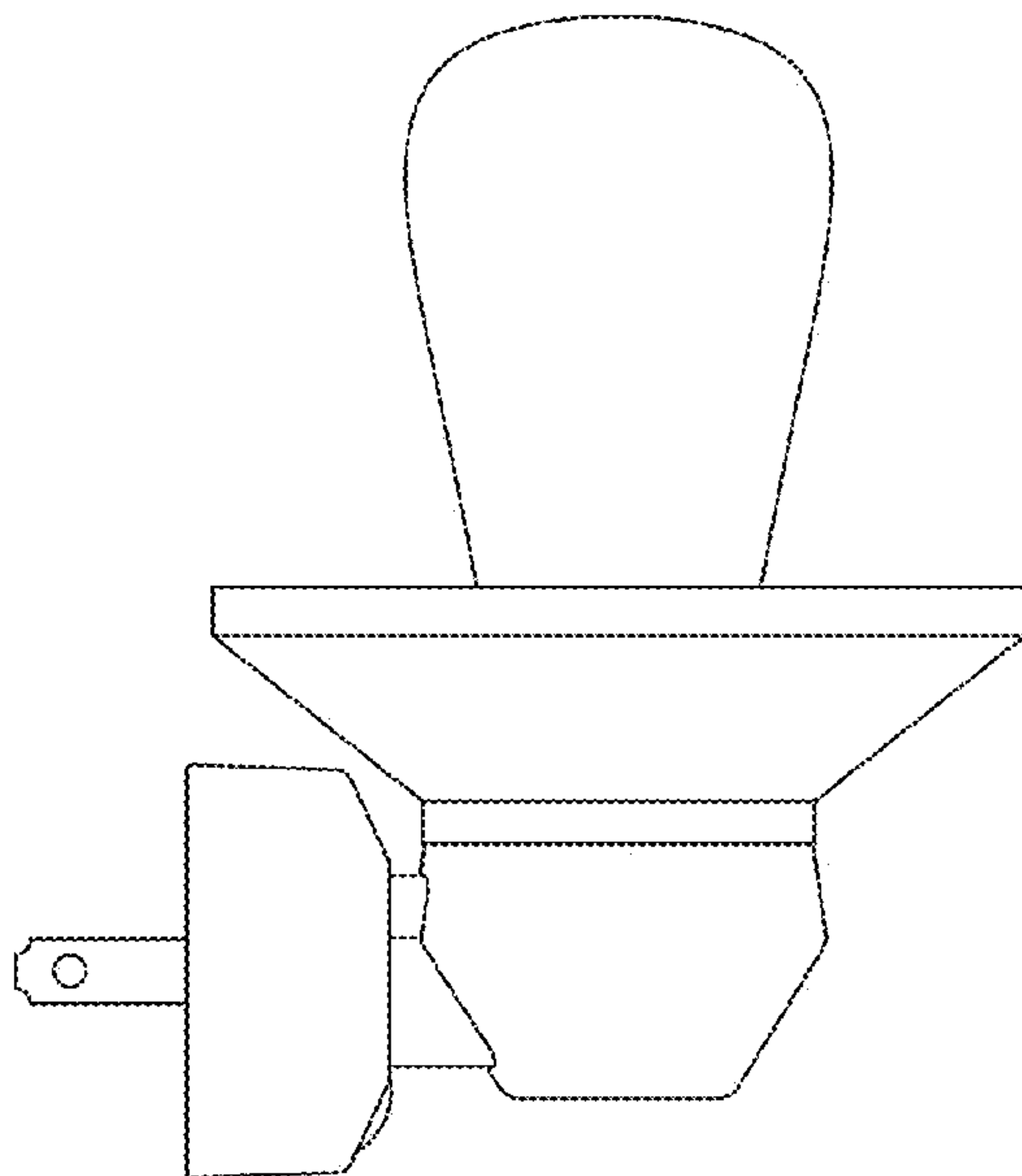


FIG. 5

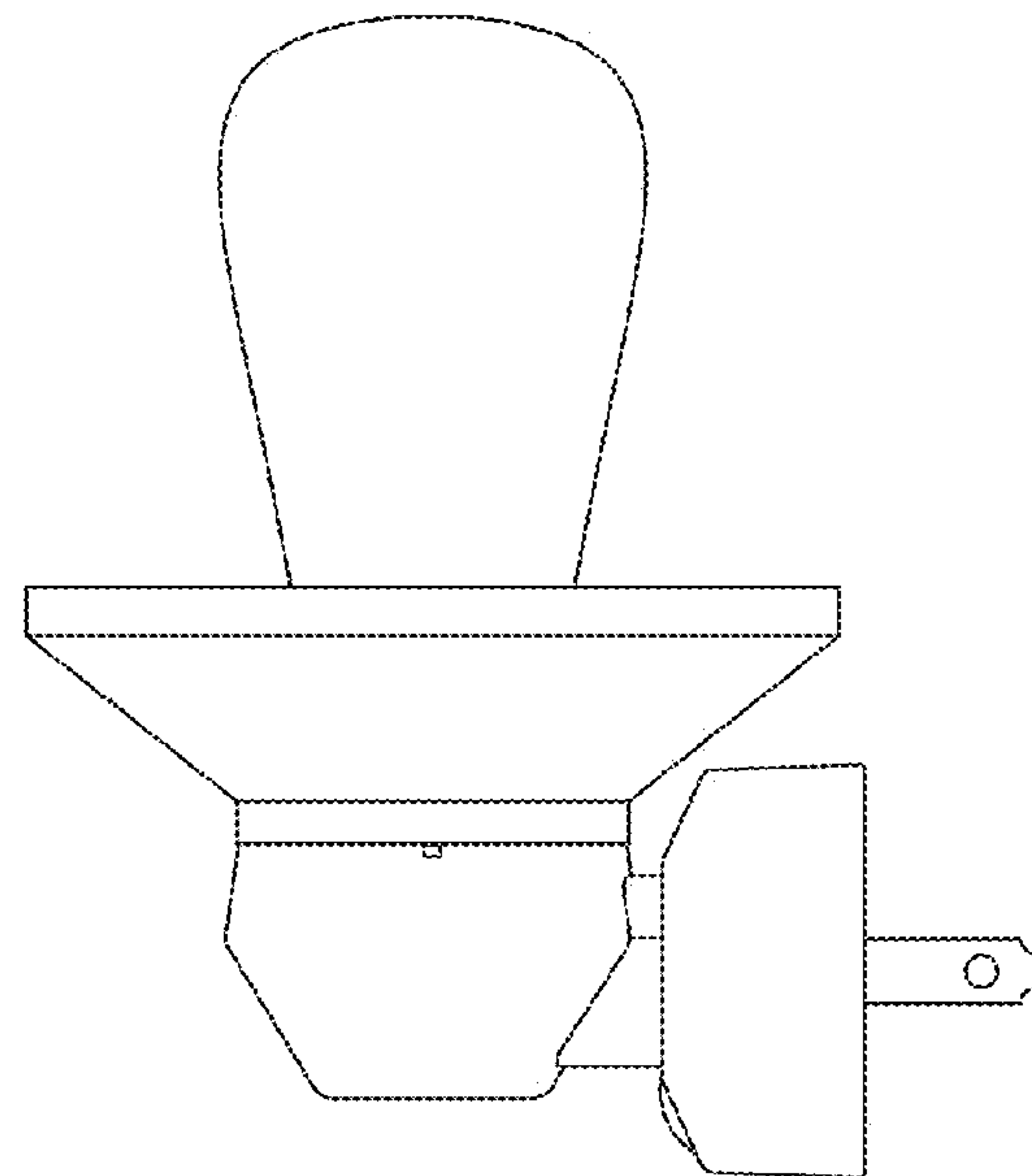


FIG. 6

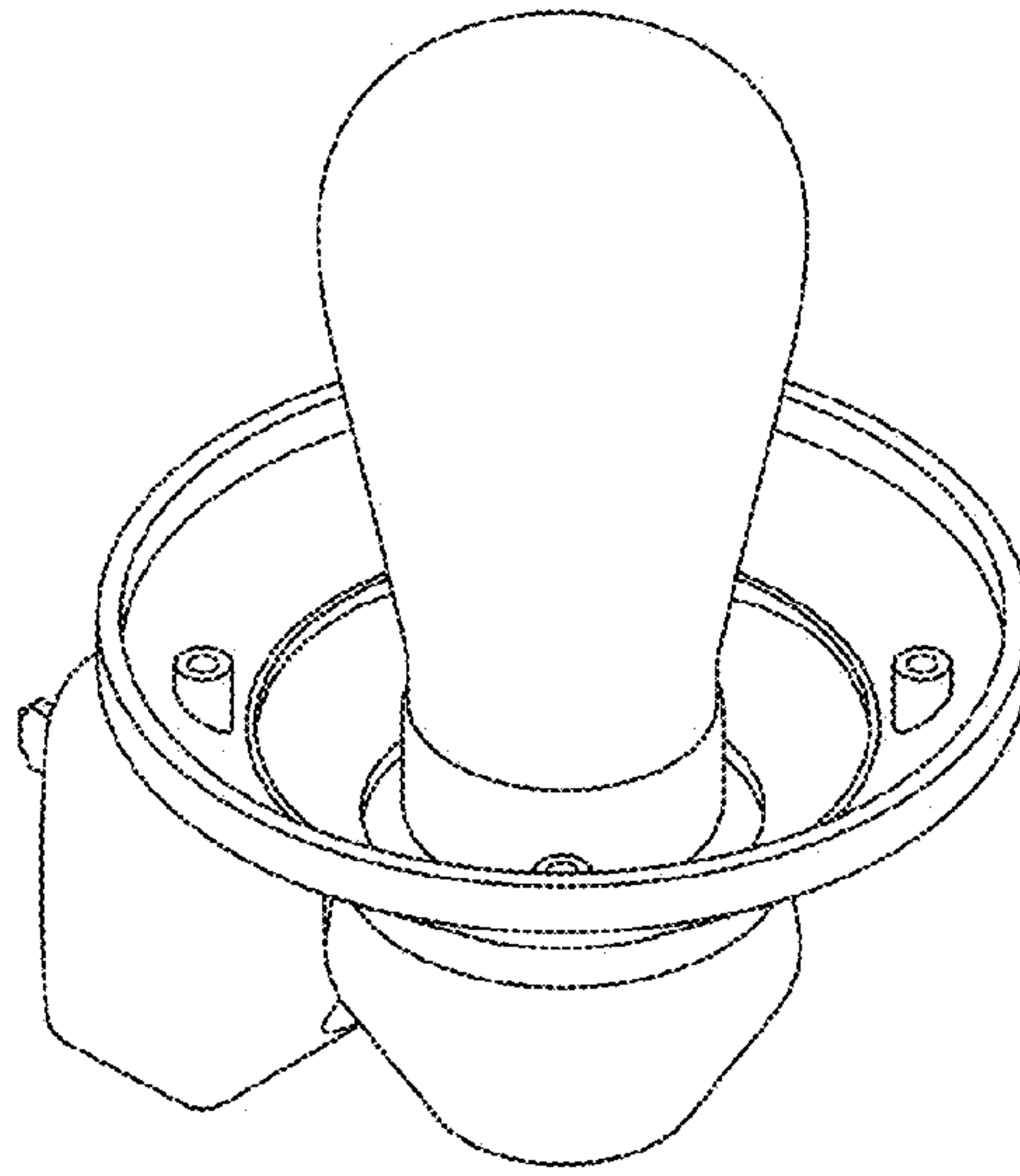


FIG. 7

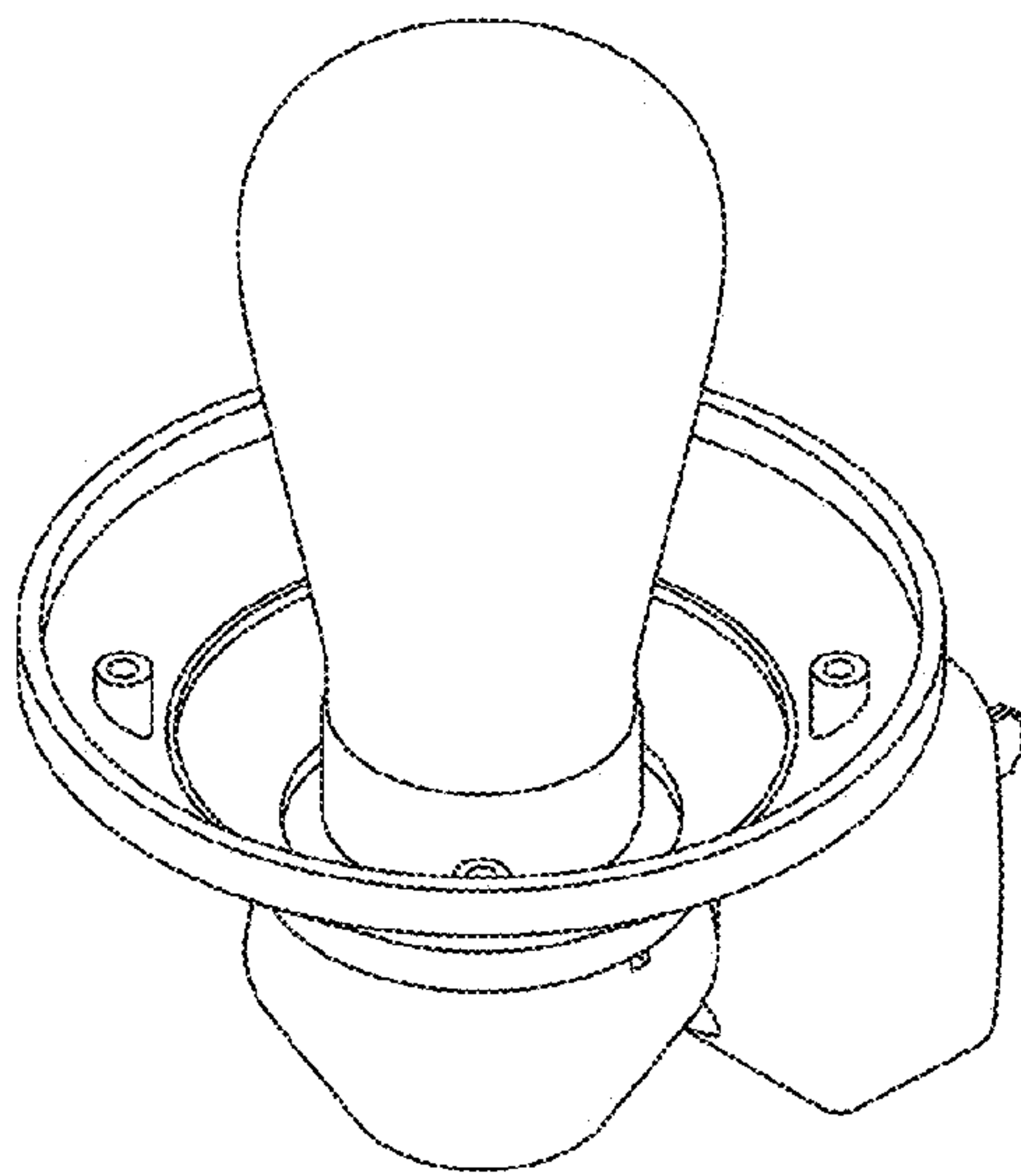


FIG. 8

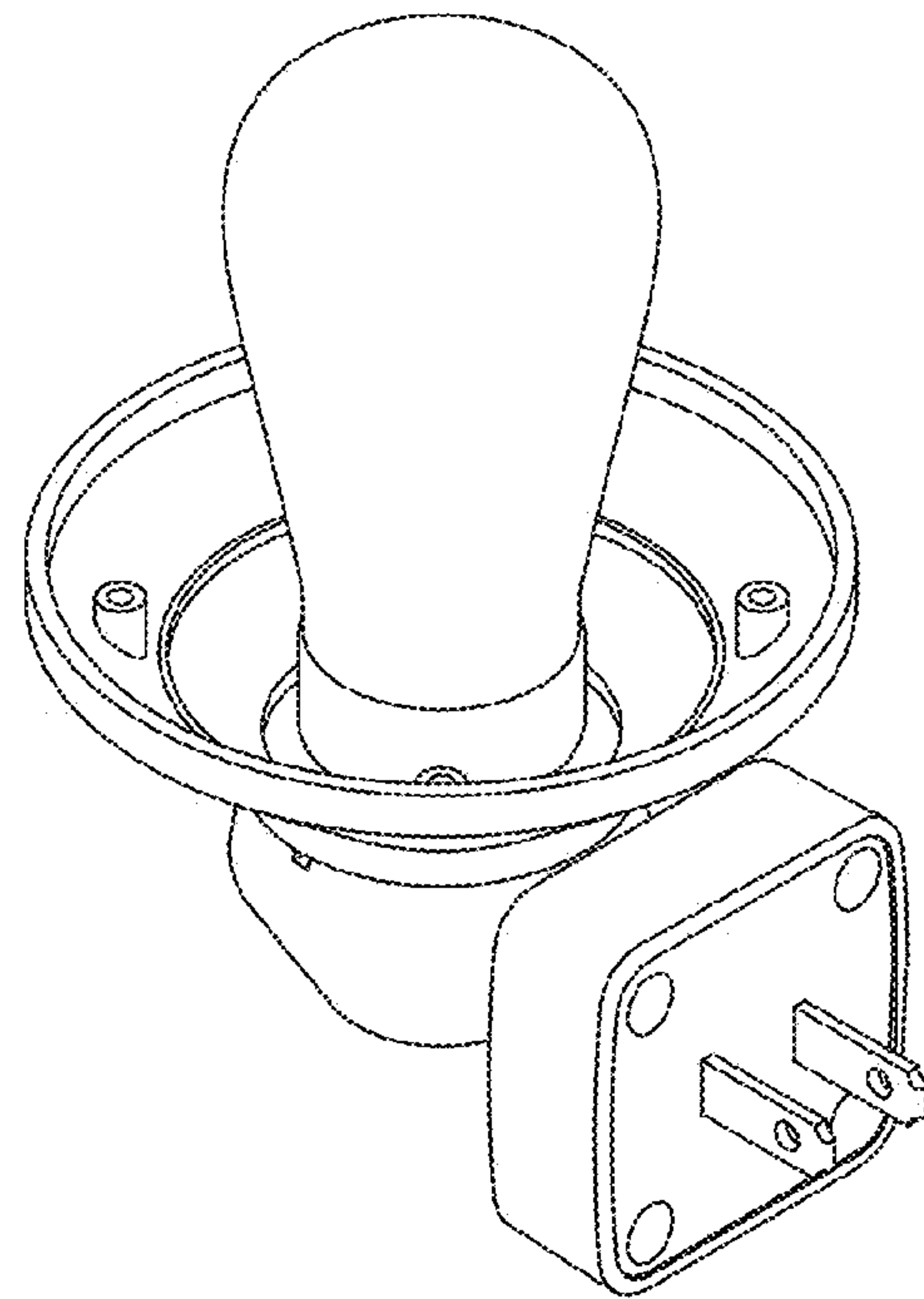


FIG. 9