



US00D938072S

(12) **United States Design Patent**
Klimoski

(10) **Patent No.:** **US D938,072 S**

(45) **Date of Patent:** **** Dec. 7, 2021**

(54) **PEG LIGHT**

(71) Applicant: **Jason Klimoski**, Brooklyn, NY (US)

(72) Inventor: **Jason Klimoski**, Brooklyn, NY (US)

(**) Term: **15 Years**

(21) Appl. No.: **29/742,166**

(22) Filed: **Mar. 5, 2020**

(51) **LOC (13) Cl.** **26-04**

(52) **U.S. Cl.**
USPC **D26/2**

(58) **Field of Classification Search**

USPC D26/1-4
CPC H01R 5/00; H01R 13/46; H01R 13/514;
H01R 31/02; H01R 31/048; H01J 5/00;
H01J 5/16; H01J 1/02; H01J 15/00; H01J
5/48; H01J 5/50; H01J 19/54; F21V 5/00;
F21K 9/00; F21K 13/00

See application file for complete search history.

(56) **References Cited**

U.S. PATENT DOCUMENTS

D596,321 S	*	7/2009	Noh	D26/3
D650,497 S	*	12/2011	Lai	D26/3
D656,632 S	*	3/2012	Lai	D26/3
D727,542 S	*	4/2015	Li	D26/2
D744,126 S	*	11/2015	Glachman	D26/3

* cited by examiner

Primary Examiner — Marcus A Jackson

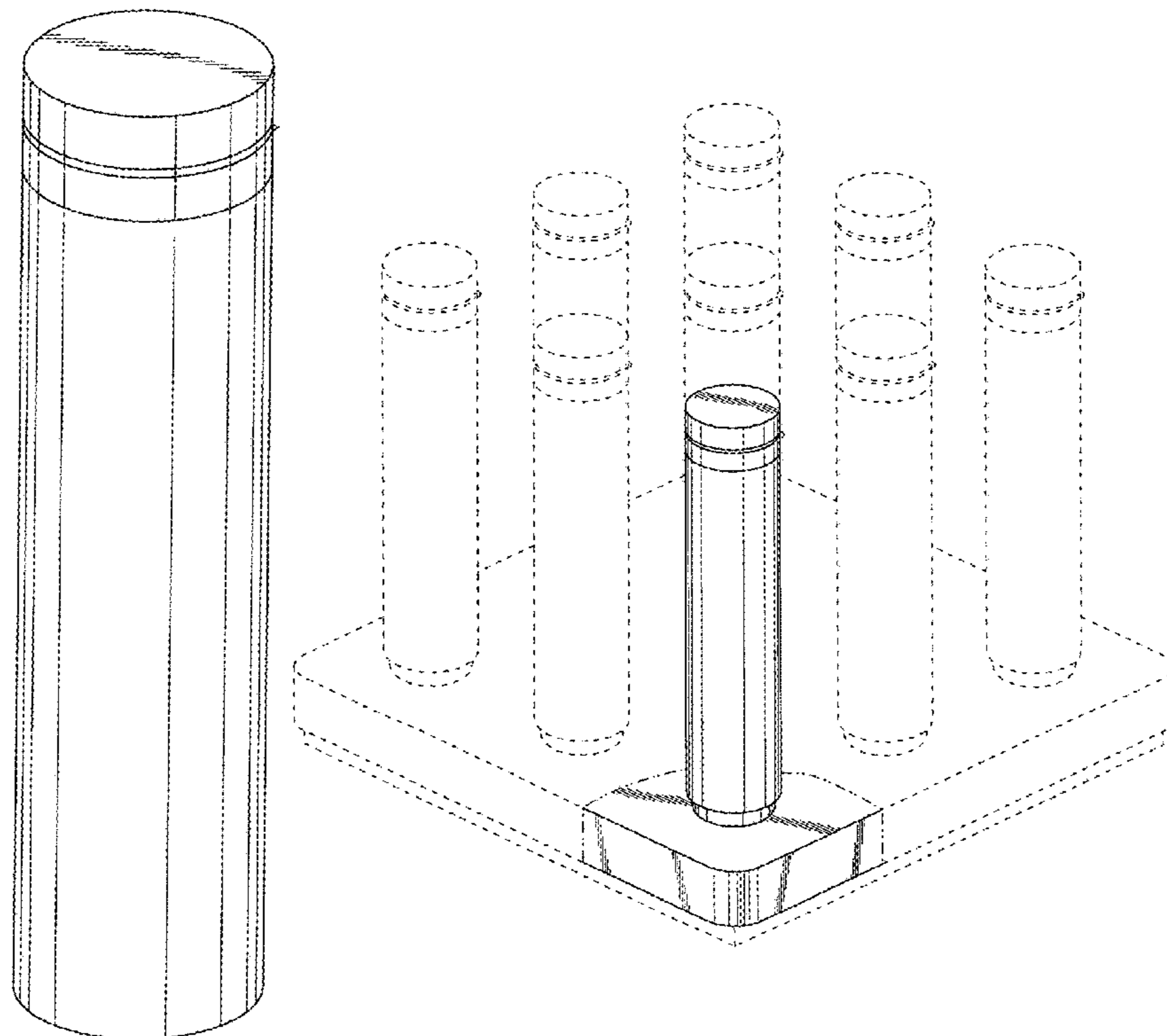
(57) **CLAIM**

The design for a peg light, as shown and described.

DESCRIPTION

FIG. 1 is a perspective front view of a new design for a peg light in accordance with the presently disclosed design; FIG. 2 is a front elevation view thereof; FIG. 3 is a rear elevation view thereof, the dotted line showing of a hinge not forming a part of the claimed design; FIG. 4 is a left side view thereof, the right side being a mirror image thereof; FIG. 5 is a top view thereof; FIG. 6 is a bottom view thereof; FIG. 7 is a perspective front view with the top in the open position; FIG. 8 is a front elevation view thereof; FIG. 9 is a rear elevation view thereof; FIG. 10 is a left side view thereof, the right side being a mirror image thereof; FIG. 11 is a top view thereof; FIG. 12 is a bottom view thereof; FIG. 13 is a perspective view of the peg light mounted on a base, the dotted line showings of the remaining base and additional peg lights not forming a part of the claimed design. FIG. 14 is a front view thereof; FIG. 15 is a left side view thereof, the right side being a mirror image thereof; and, FIG. 16 is a top view thereof; the bottom of the base is unornamented and does not form part of the claimed design.

1 Claim, 14 Drawing Sheets



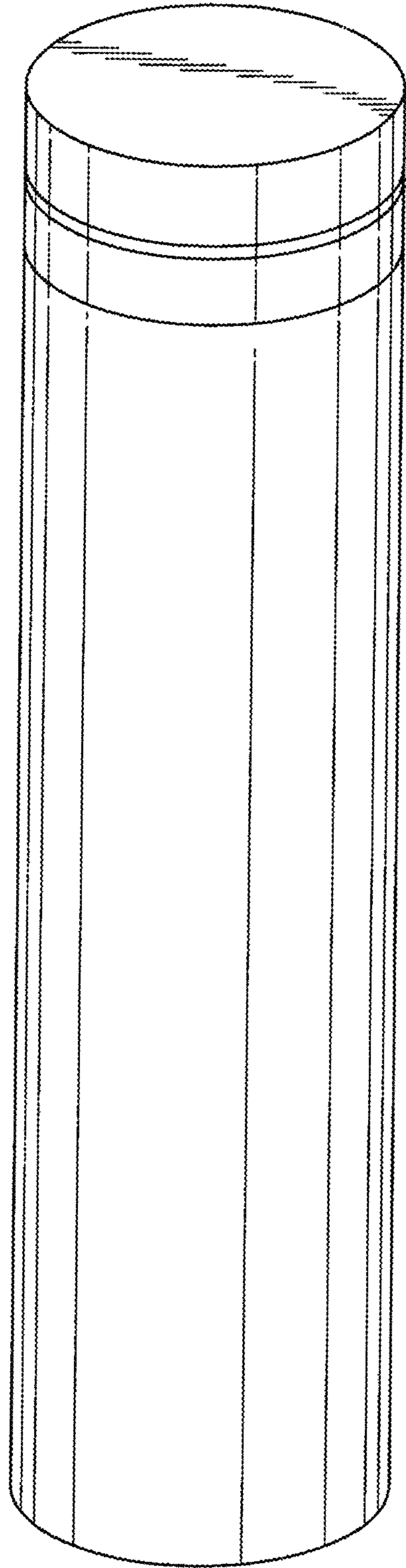


FIG. 1

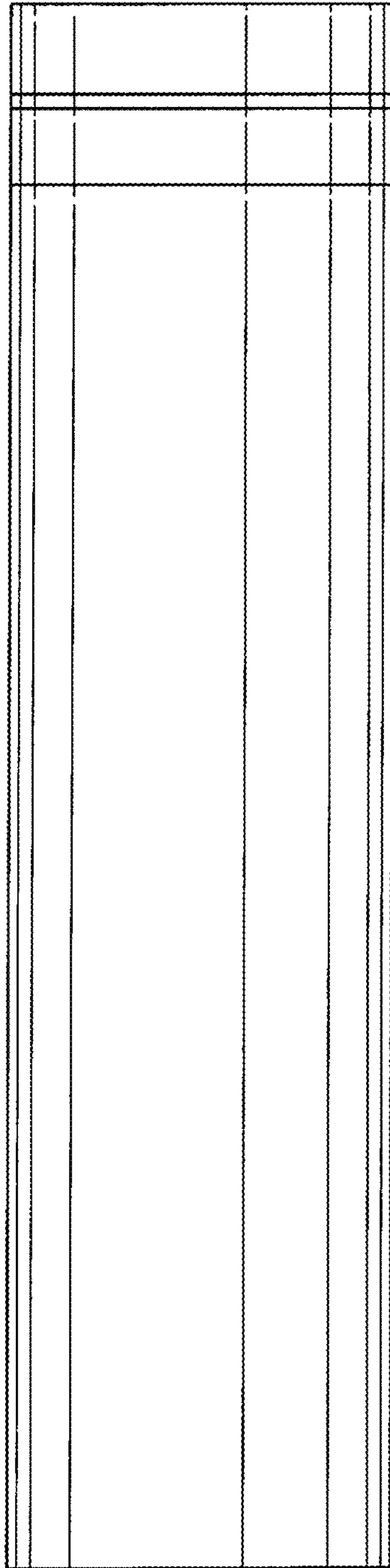


FIG. 2

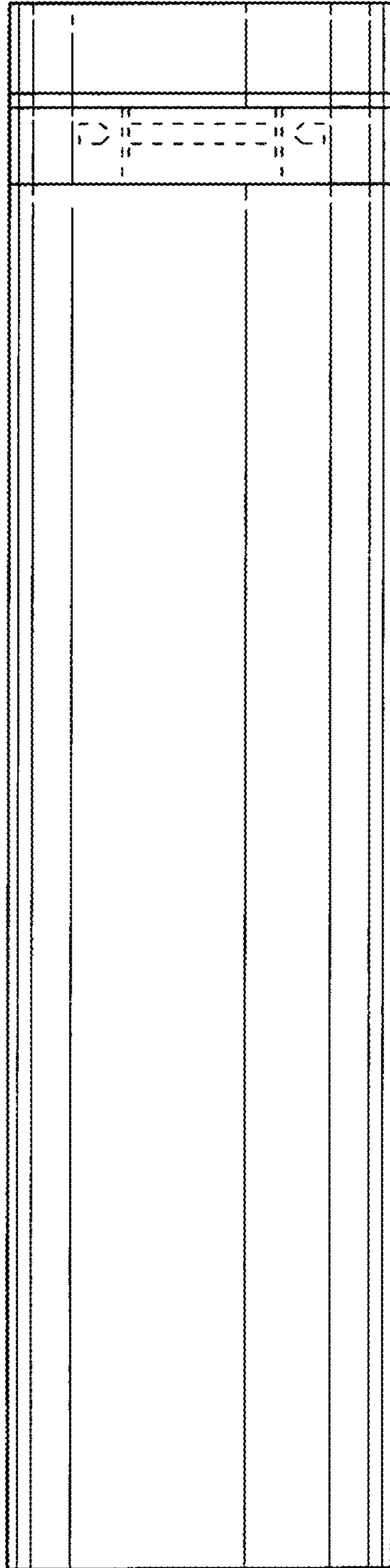


FIG. 3

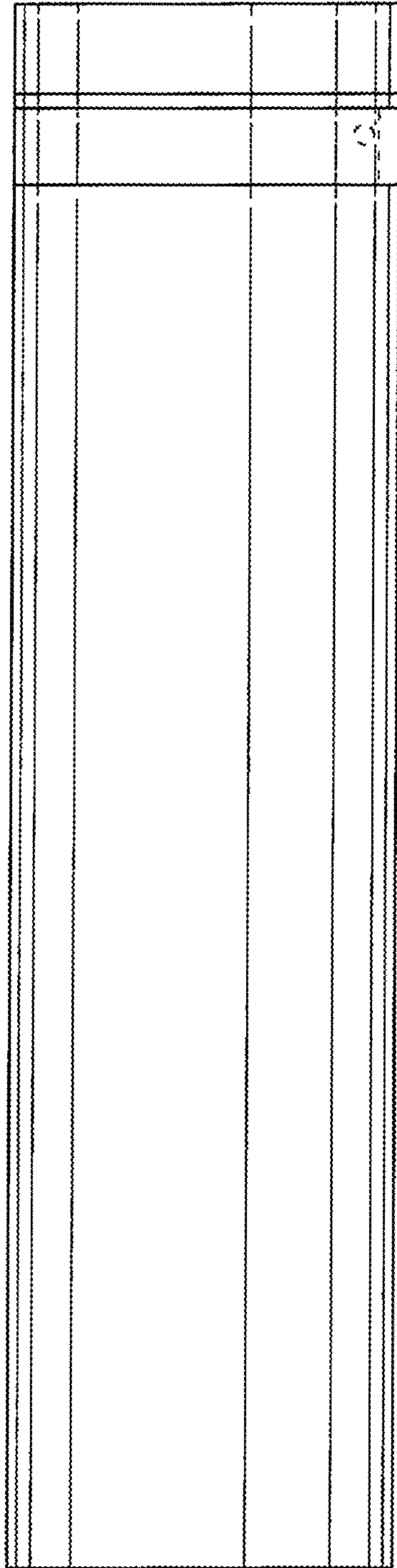


FIG. 4

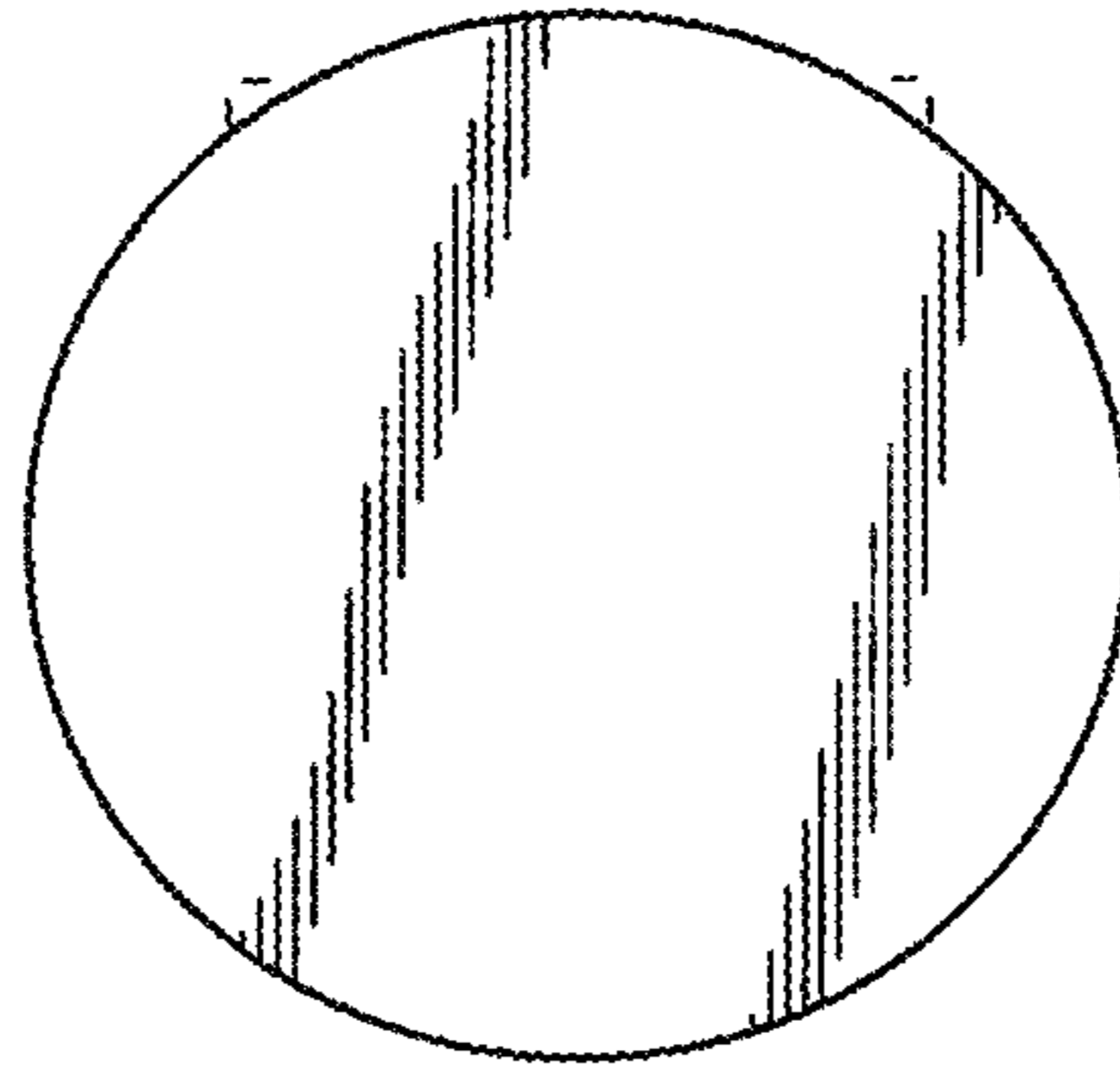


FIG. 5

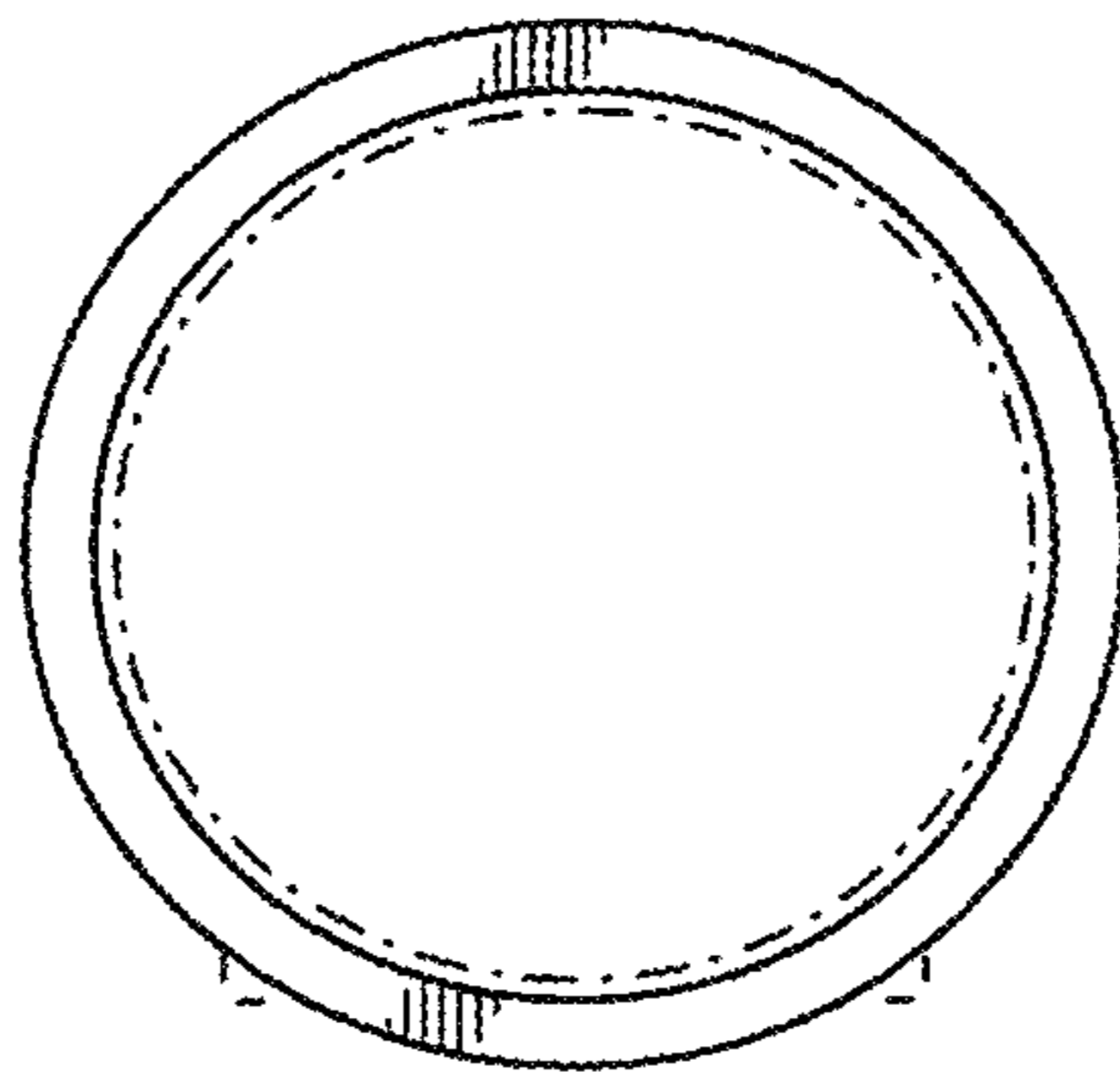


FIG. 6

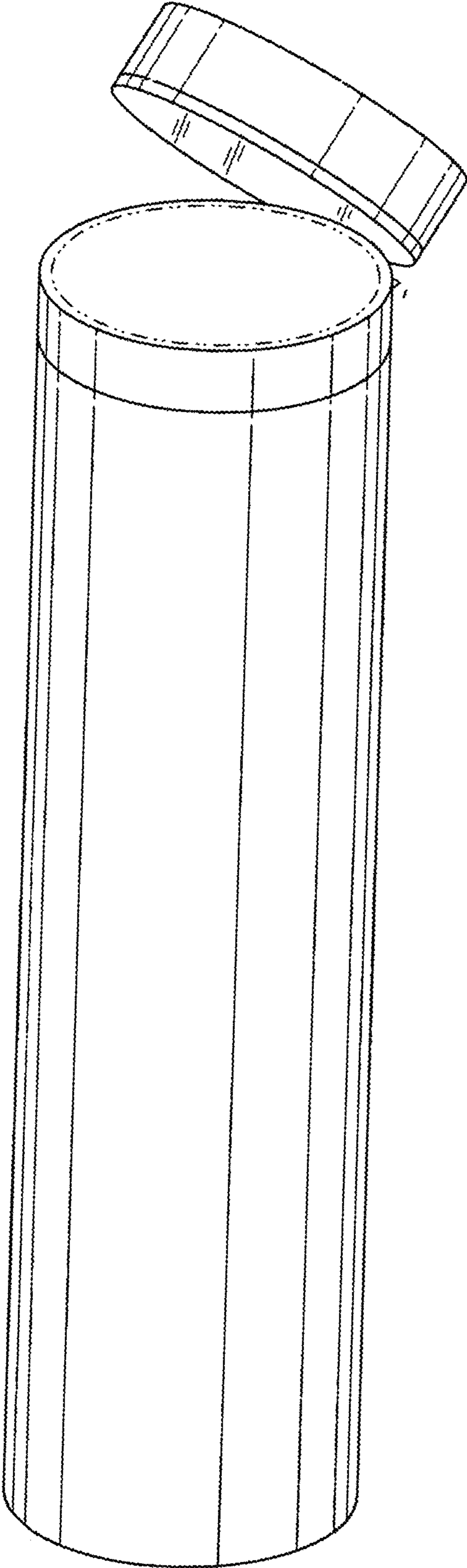


FIG. 7

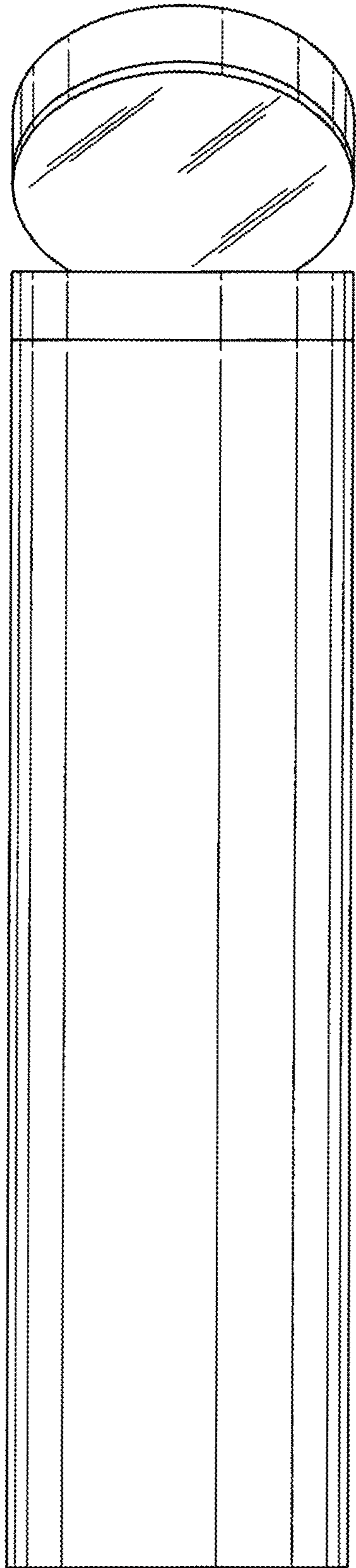


FIG. 8

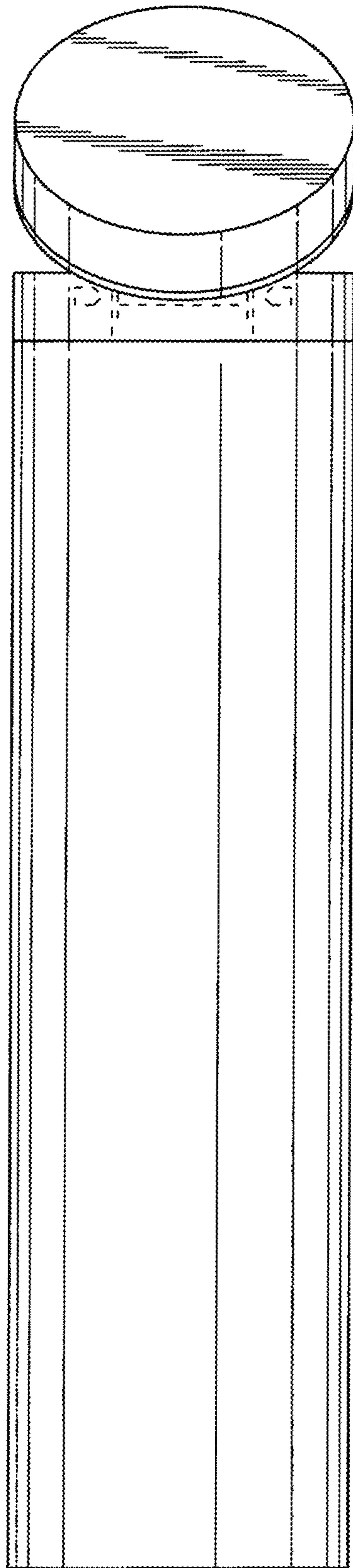


FIG. 9

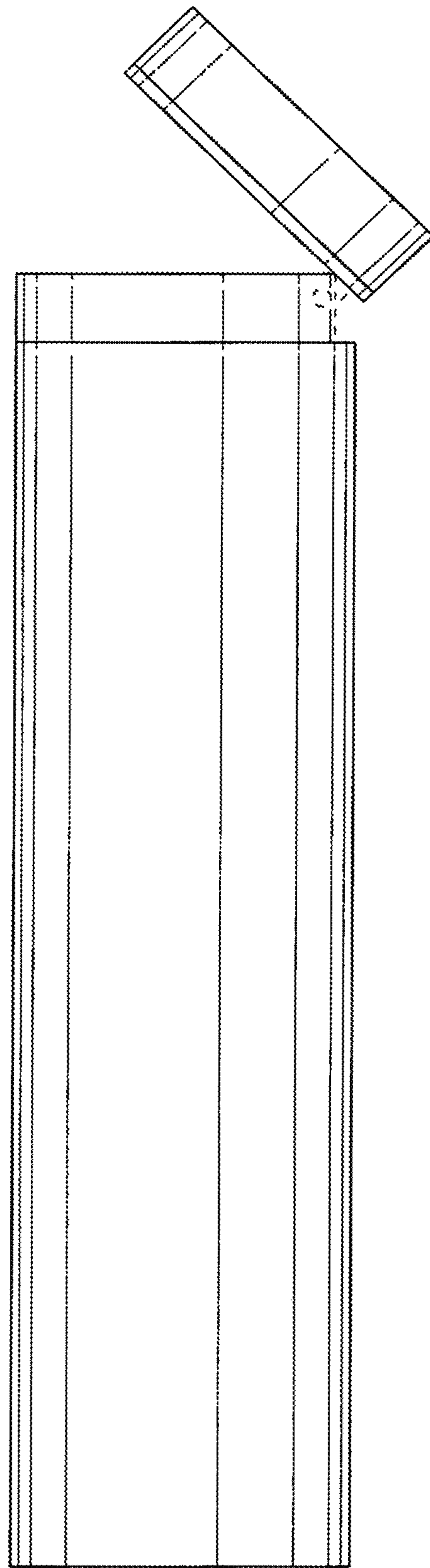


FIG. 10

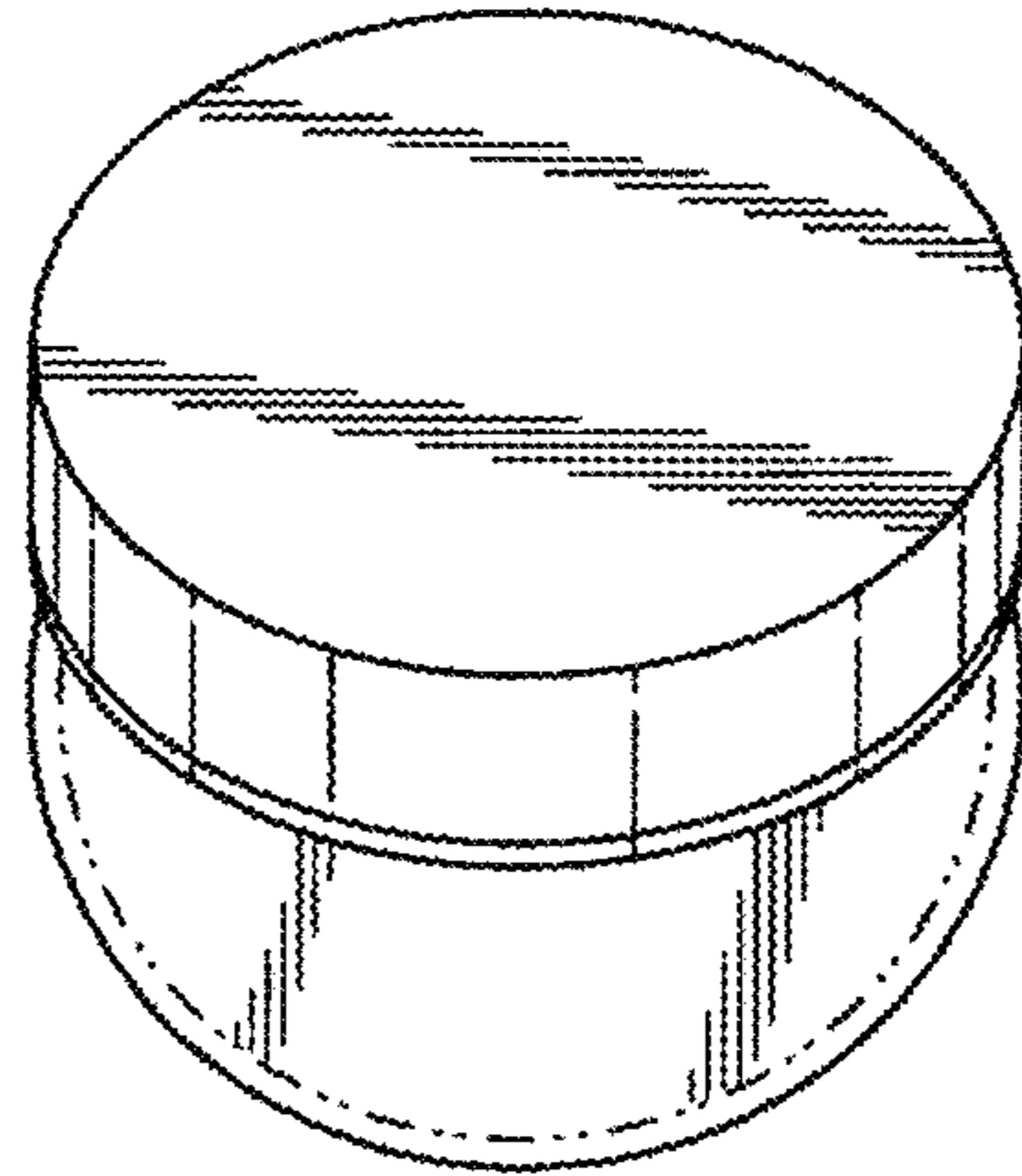


FIG. 11

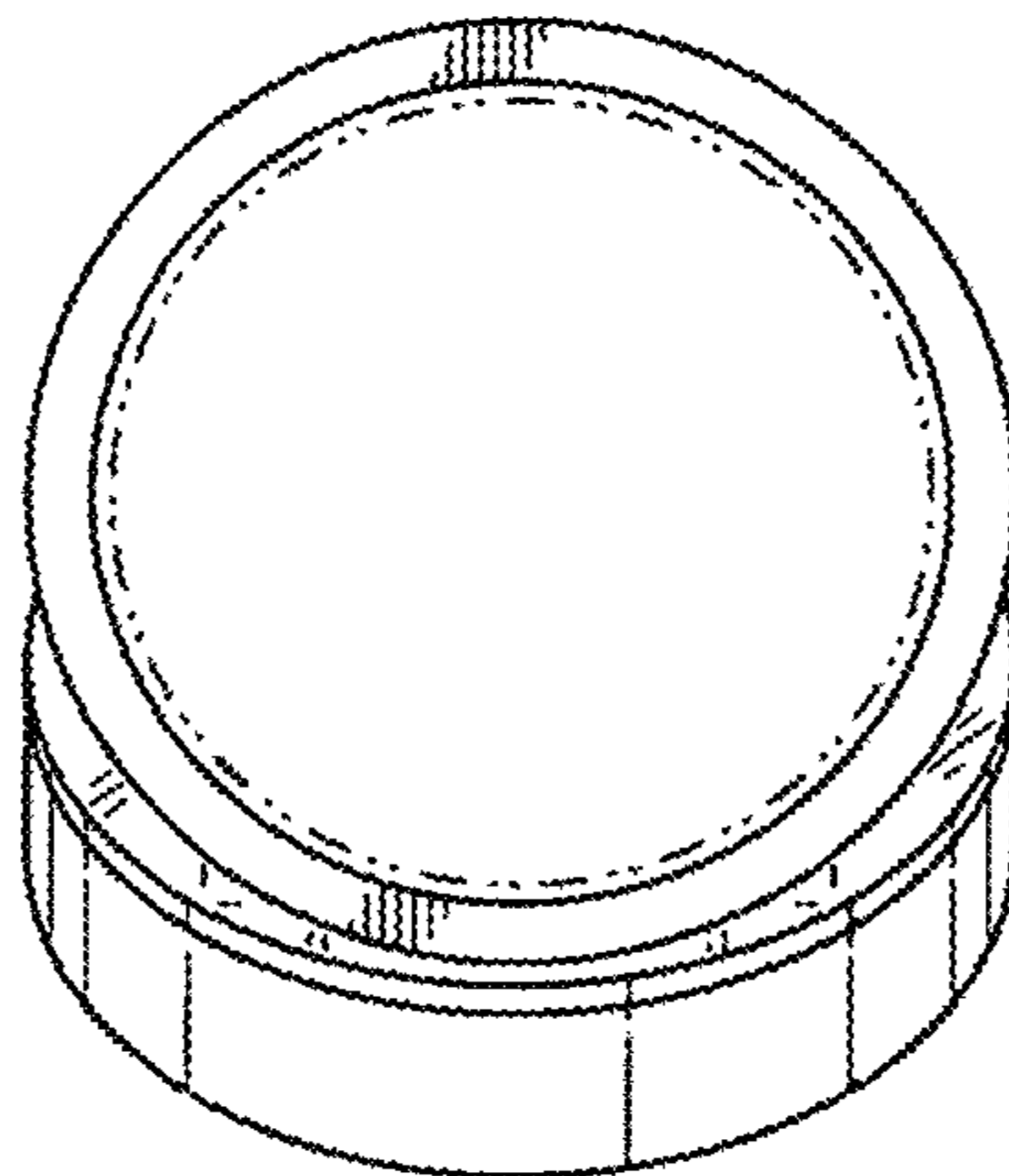


FIG. 12

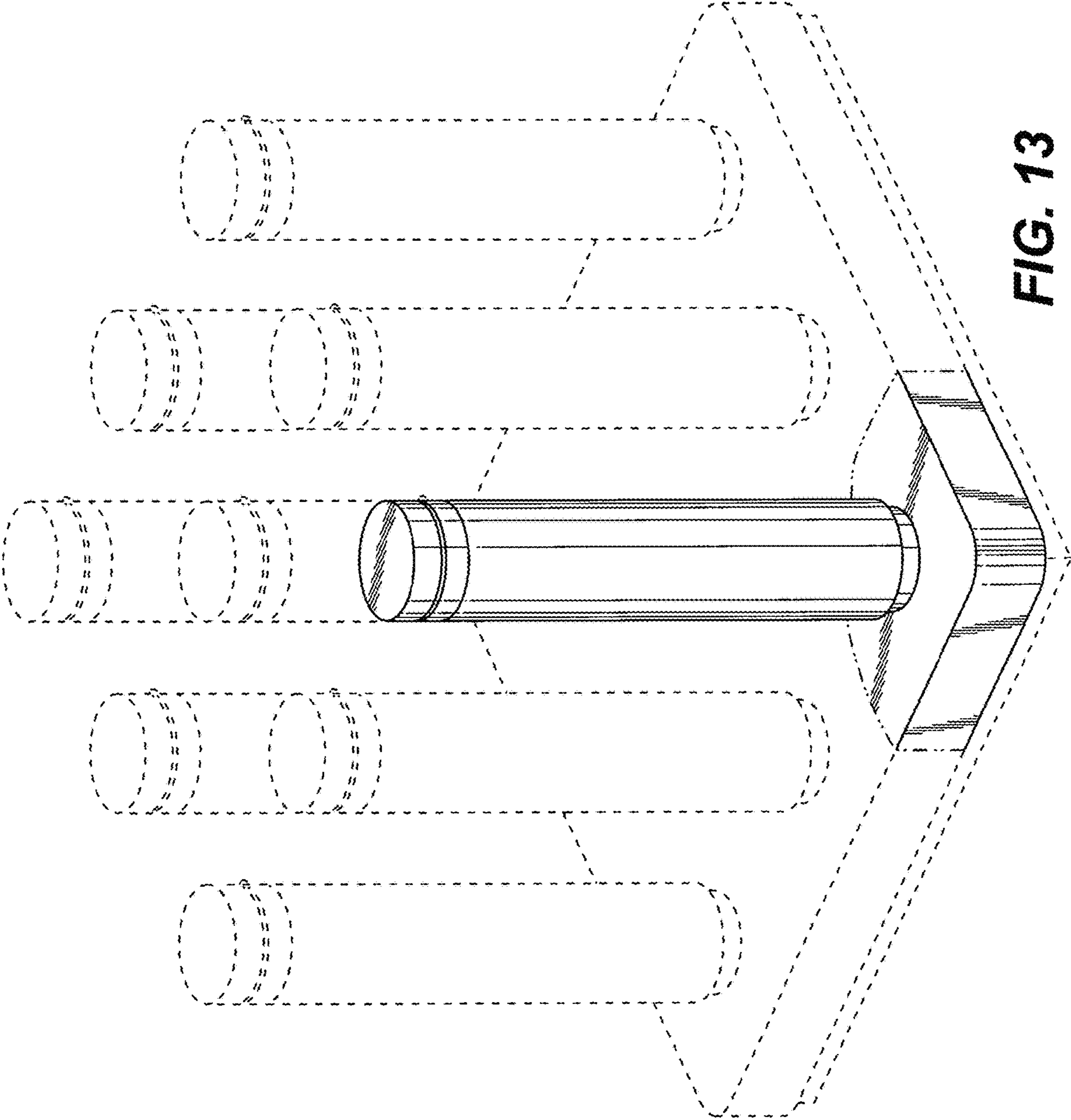


FIG. 13

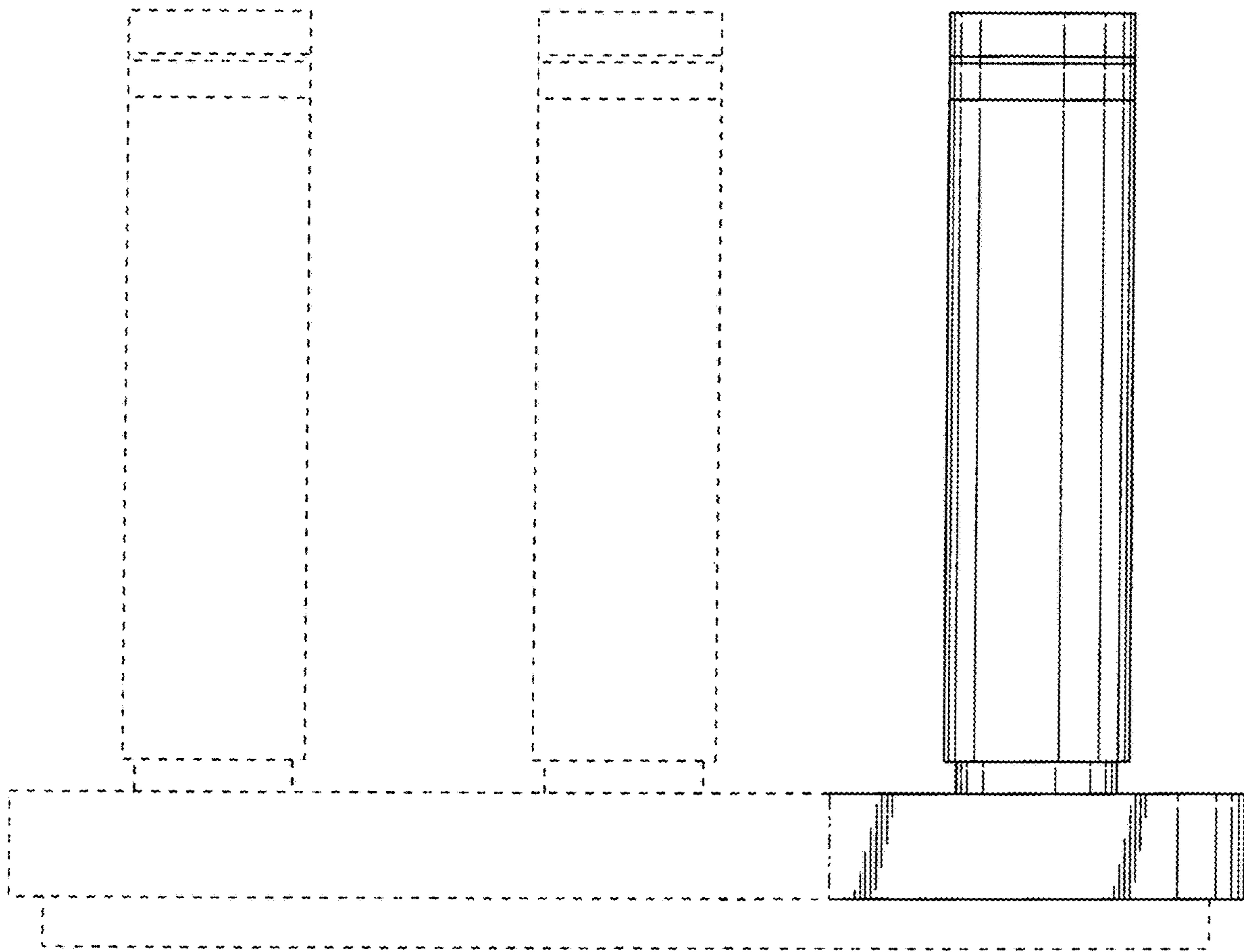


FIG. 14

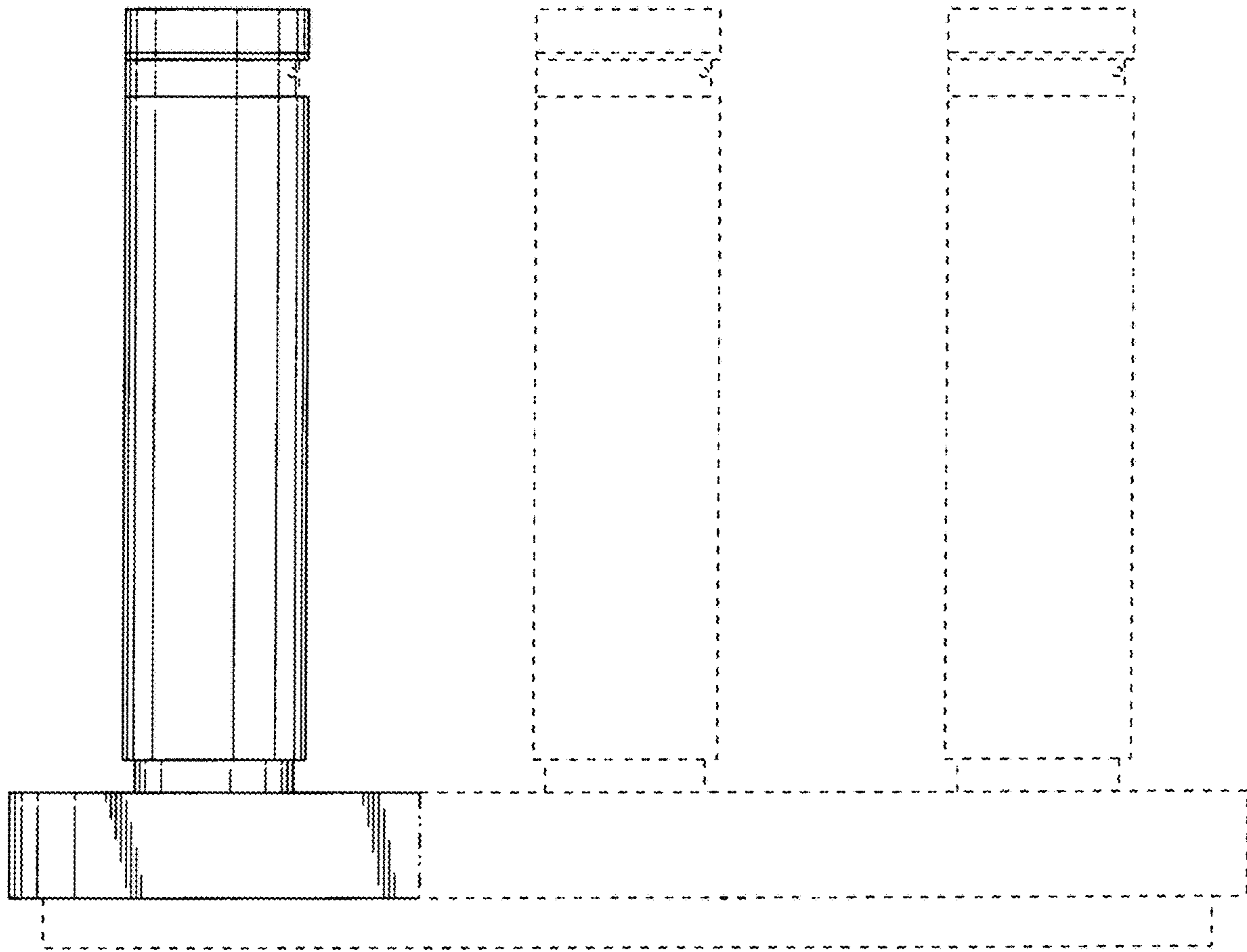


FIG. 15

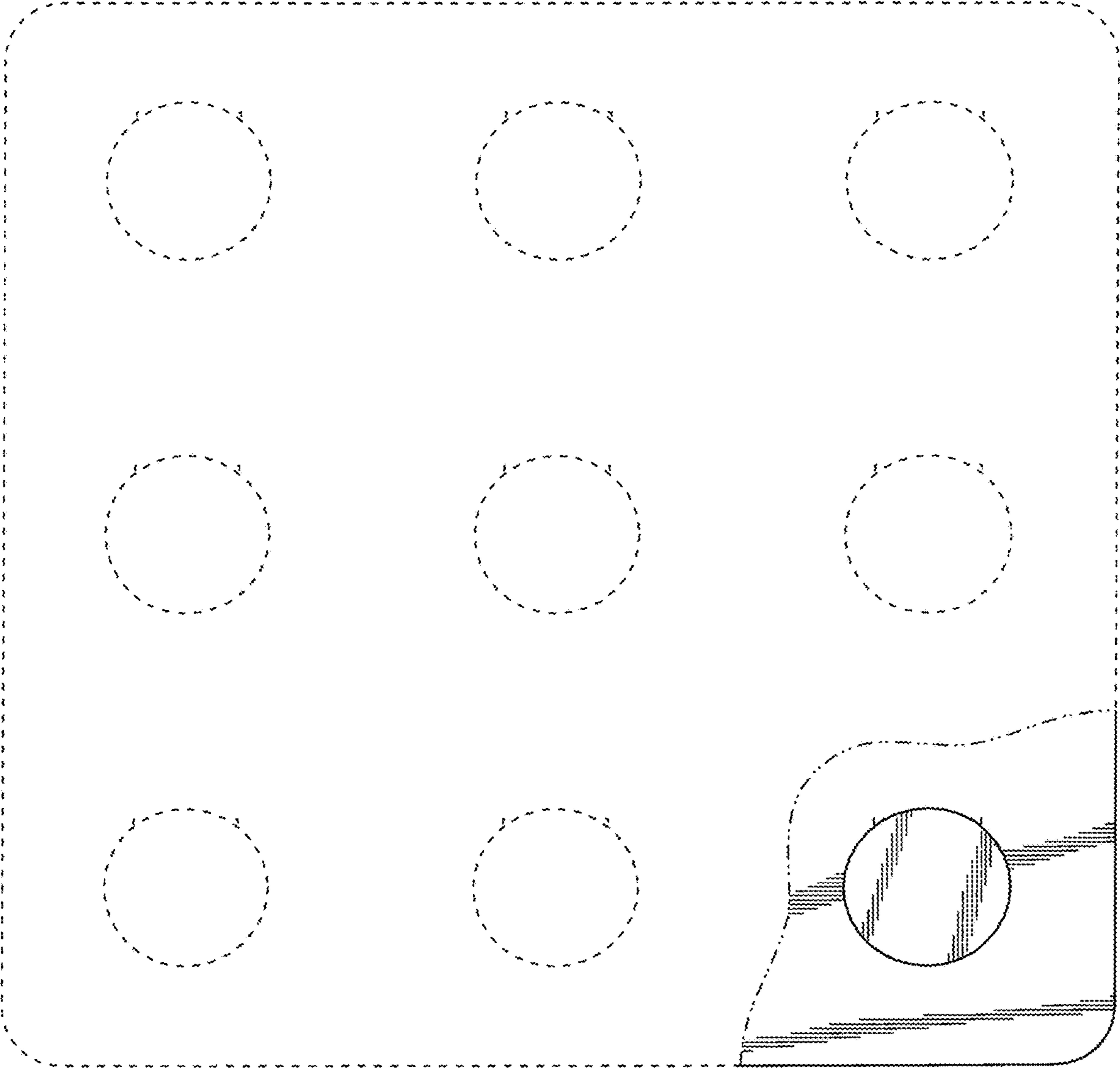


FIG. 16