



US00D938069S

(12) **United States Design Patent**  
**Carlson et al.**

(10) **Patent No.:** **US D938,069 S**

(45) **Date of Patent:** **\*\* Dec. 7, 2021**

(54) **BOLLARD CAP**

(71) Applicant: **ABL IP Holding LLC**, Atlanta, GA  
(US)

(72) Inventors: **Brett S. Carlson**, Atlanta, GA (US);  
**Jon Eric Gibson**, Covington, GA (US)

(73) Assignee: **ABL IP Holding LLC**, Atlanta, GA  
(US)

(\*\*) Term: **15 Years**

(21) Appl. No.: **29/682,837**

(22) Filed: **Mar. 8, 2019**

(51) **LOC (13) Cl.** ..... **25-01**

(52) **U.S. Cl.**  
USPC ..... **D25/135**

(58) **Field of Classification Search**  
USPC ..... D25/43, 125, 126, 127, 128, 129, 130,  
D25/131, 132, 133, 134, 135, 136;  
D10/109.1, 113.1, 113.2, 113.3;  
D26/1-4, 67, 68, 119  
CPC ..... E01F 13/026; E01F 13/044; E01F 13/046;  
E01F 13/048; E01F 13/12; E01F 15/00;  
E01F 8/0017; E01F 8/0023; E01F 8/0029;  
E01F 9/627; E01F 9/629; E01F 9/638;  
E01F 9/685; E01F 15/146; E02D 27/42;  
E02D 29/0266; E04G 25/04; F21V  
33/0076; F21W 2111/02; Y10T  
403/32516; Y10T 403/7015; Y10T 70/50;  
E04F 13/04; F21S 8/00; F21S 8/08; F21S  
8/083

See application file for complete search history.

(56) **References Cited**

**U.S. PATENT DOCUMENTS**

D318,136 S \* 7/1991 Kira ..... D26/68  
D398,412 S 9/1998 Metcheer, III  
D426,013 S \* 5/2000 Landefeld ..... D26/68

D435,130 S \* 12/2000 Landefeld ..... D26/68  
D438,999 S 3/2001 Bossy  
D443,094 S 5/2001 Landefeld  
D485,374 S 1/2004 McCue et al.  
D570,515 S \* 6/2008 Flaherty ..... D26/68  
RE40,934 E 10/2009 Ruud et al.  
D606,673 S 12/2009 Kao  
D616,118 S 5/2010 Thomas et al.  
D637,933 S 5/2011 Macey  
D652,976 S 1/2012 Soto et al.  
D652,977 S 1/2012 Soto et al.

(Continued)

**OTHER PUBLICATIONS**

“Holophane”, Signature\_UK Available Online at :[http://www.holophane.co.uk/files/listing\\_downloads/signature\\_uk-3.pdf](http://www.holophane.co.uk/files/listing_downloads/signature_uk-3.pdf), 2020.

(Continued)

*Primary Examiner* — Samantha Q Lawrence

(74) *Attorney, Agent, or Firm* — Kilpatrick Townsend & Stockton LLP

(57) **CLAIM**

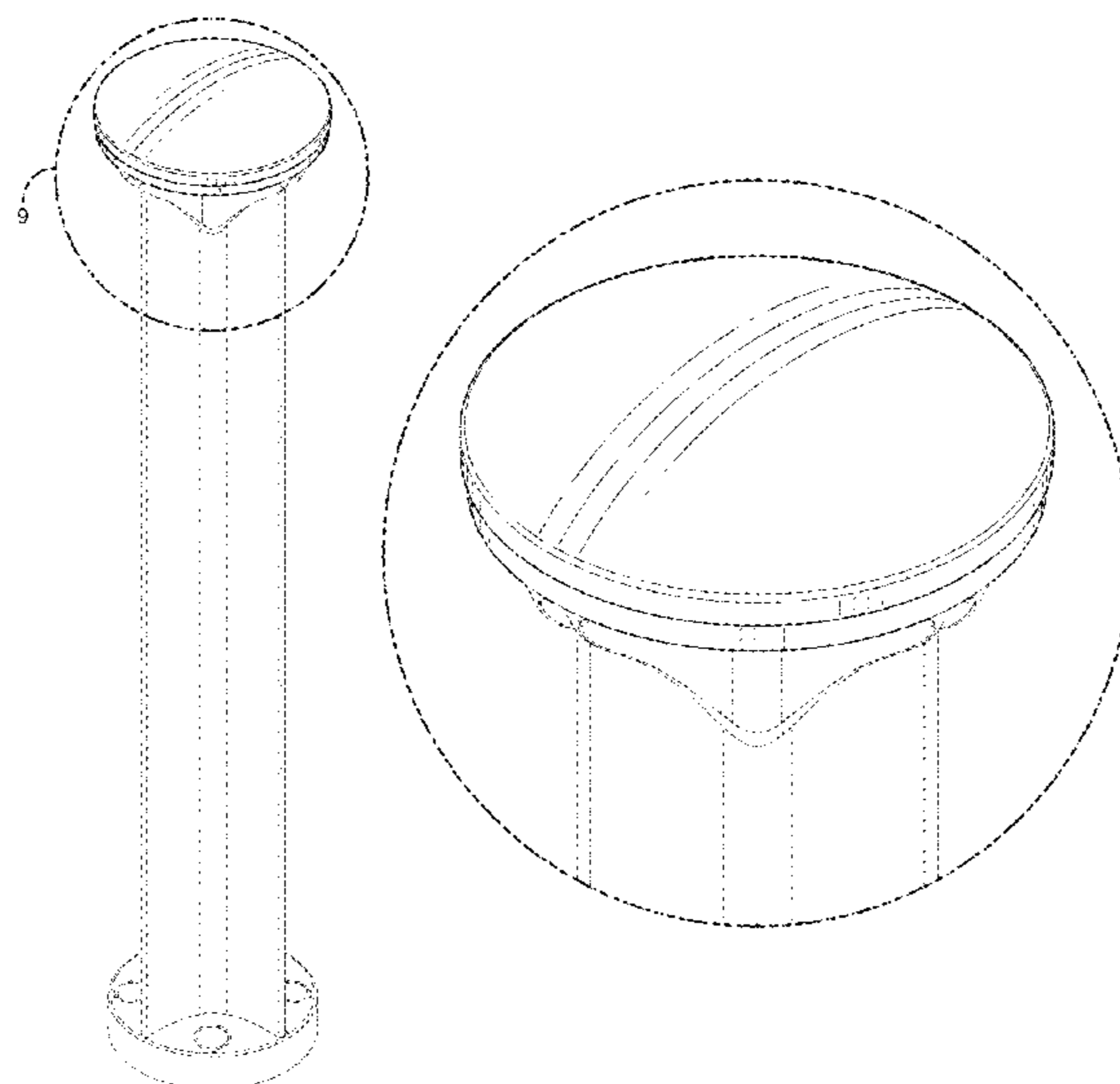
The ornamental design for a bollard cap, as shown and described.

**DESCRIPTION**

FIG. 1 is an isometric view of a bollard.  
FIG. 2 is another isometric view of the bollard of FIG. 1.  
FIG. 3 is a side view of the bollard of FIG. 1.  
FIG. 4 is another side view of the bollard of FIG. 1.  
FIG. 5 is another side view of the bollard of FIG. 1.  
FIG. 6 is another side view of the bollard of FIG. 1.  
FIG. 7 is a top view of the bollard of FIG. 1.  
FIG. 8 is a bottom view of the bollard of FIG. 1; and,  
FIG. 9 is a magnification of a portion of the FIG. 1 isometric view.

The broken lines shown in FIGS. 1-6 and FIGS. 8-9 illustrate portions of the bollard cap that form no part of the claimed design.

**1 Claim, 8 Drawing Sheets**



(56)

References Cited

U.S. PATENT DOCUMENTS

D675,766 S 2/2013 Guercio et al.  
D675,767 S 2/2013 Guercio et al.  
D678,554 S 3/2013 Tidemann  
D708,536 S 7/2014 Lyhne  
D710,563 S 8/2014 Panzer et al.  
D716,637 S \* 11/2014 McDonald ..... D8/354  
D769,468 S 10/2016 Pope  
D769,469 S 10/2016 Pope  
D772,436 S 11/2016 Pope  
D779,085 S 2/2017 Stern et al.  
D794,834 S 8/2017 Edwards  
D797,980 S \* 9/2017 Maxik ..... D26/89  
D814,065 S \* 3/2018 Beron ..... D25/126  
D819,837 S 6/2018 Katterheinrich et al.  
D824,543 S \* 7/2018 Crawley ..... D25/133  
D837,432 S \* 1/2019 Ahrari ..... D26/68  
D841,879 S 2/2019 Hollinger  
D863,644 S \* 10/2019 Gibson ..... D26/71

D864,452 S 10/2019 Wei  
D877,385 S \* 3/2020 Gibson ..... D26/67  
10,619,810 B1 \* 4/2020 Hwang ..... F21V 3/00  
D911,988 S \* 3/2021 Catinis ..... D13/184  
D912,850 S \* 3/2021 Carlson ..... D25/126  
D912,871 S \* 3/2021 Gibson ..... D26/71  
D923,859 S \* 6/2021 Li ..... D26/118  
D925,088 S \* 7/2021 Gibson ..... D26/67  
2017/0314286 A1 \* 11/2017 Bartels ..... E02D 29/1427

OTHER PUBLICATIONS

U.S. Appl. No. 29/682,833 , Non-Final Office Action, dated Jul. 21, 2020, 8 pages.  
PL2 Series LED Bollards, Acculite™, H7.4.6, Accessed from internet at: [https://www.villalighting.com/ASSETS/DOCUMENTS/ITEMS/EN/1140483\\_spec%20sheet.pdf](https://www.villalighting.com/ASSETS/DOCUMENTS/ITEMS/EN/1140483_spec%20sheet.pdf), 2015, 3 pages.  
U.S. Appl. No. 29/682,836, Notice of Allowance dated Jun. 7, 2021, 8 pages.

\* cited by examiner

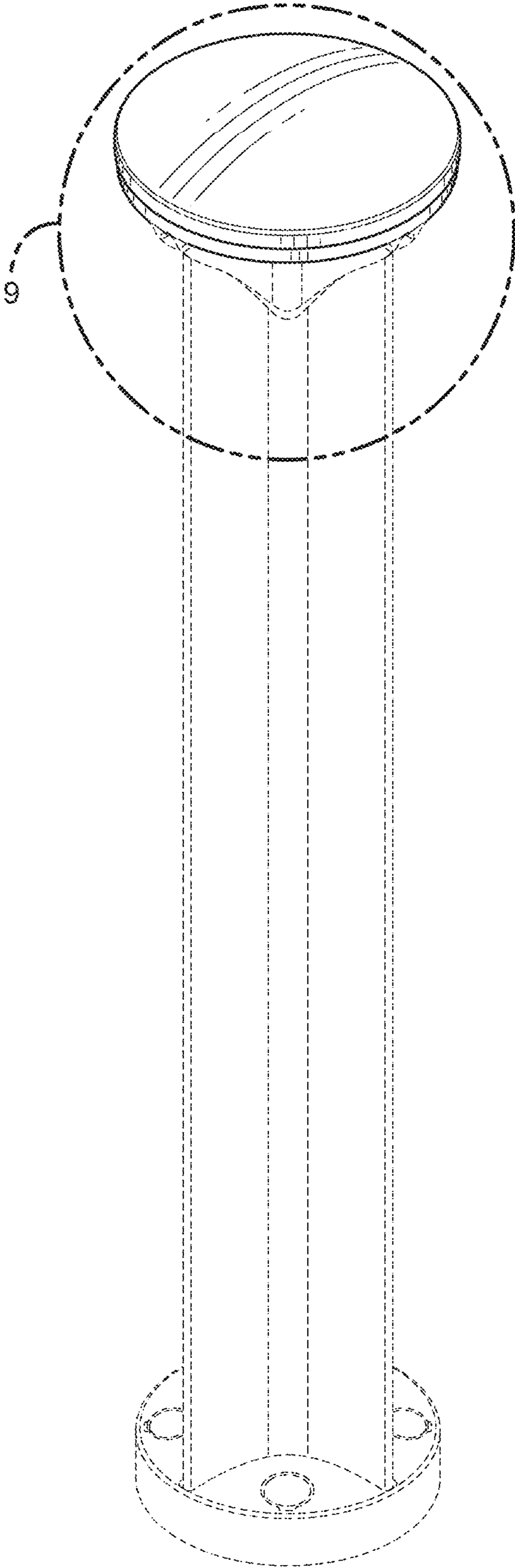


FIG. 1

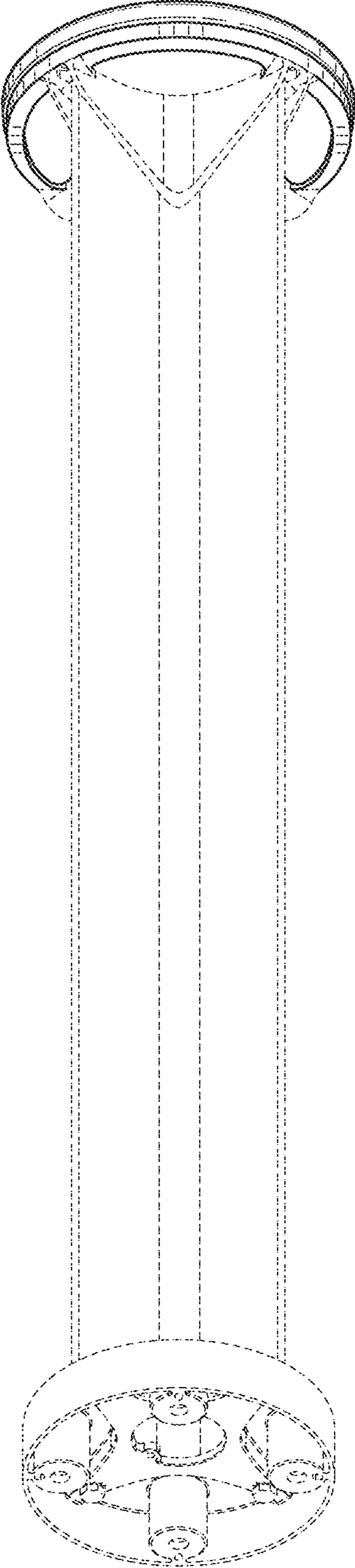


FIG. 2

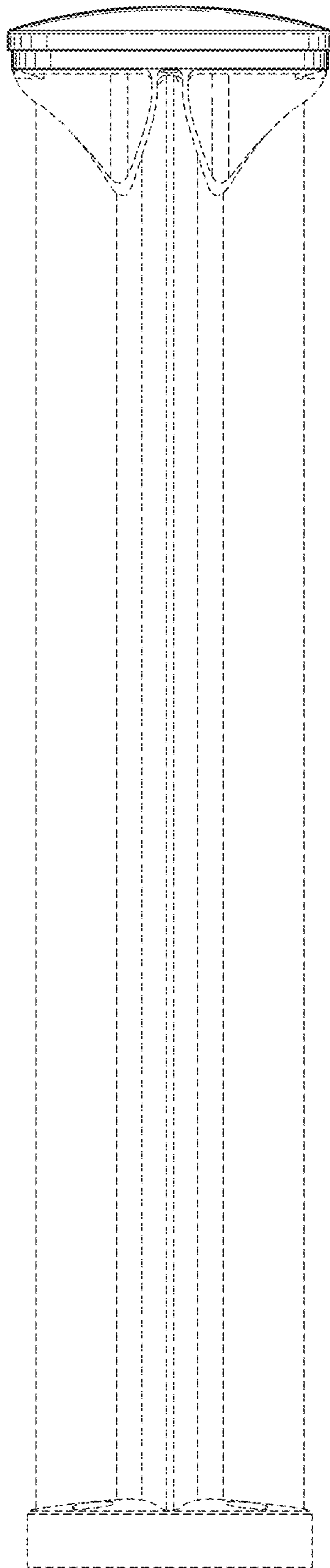


FIG. 3

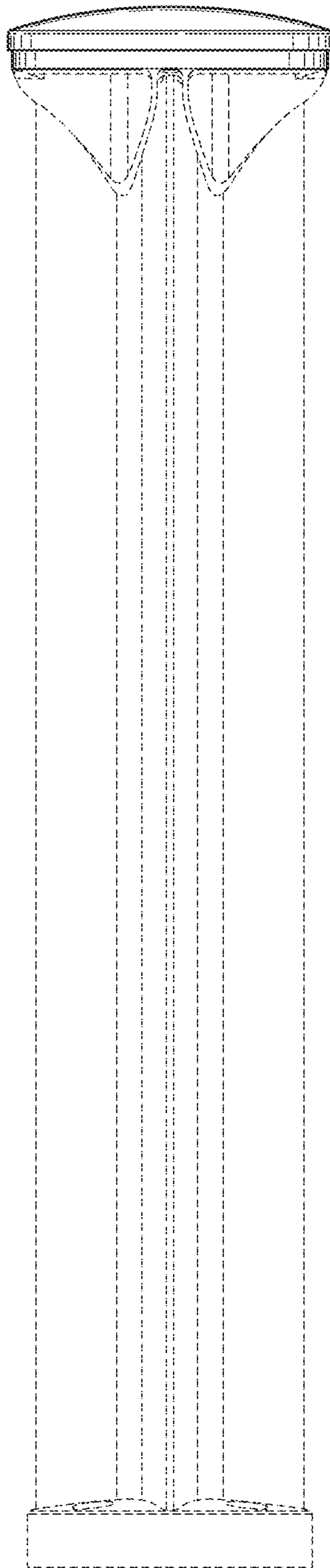


FIG. 4

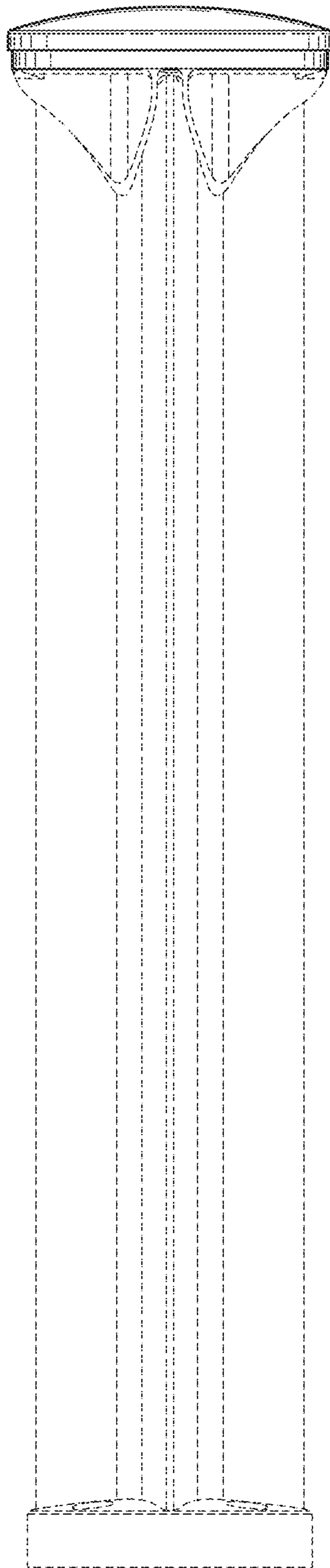


FIG. 5

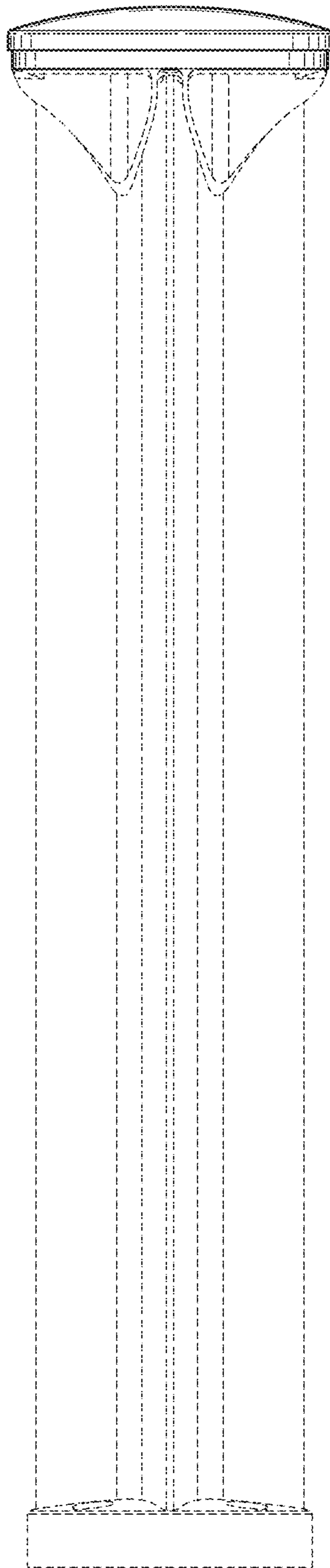


FIG. 6



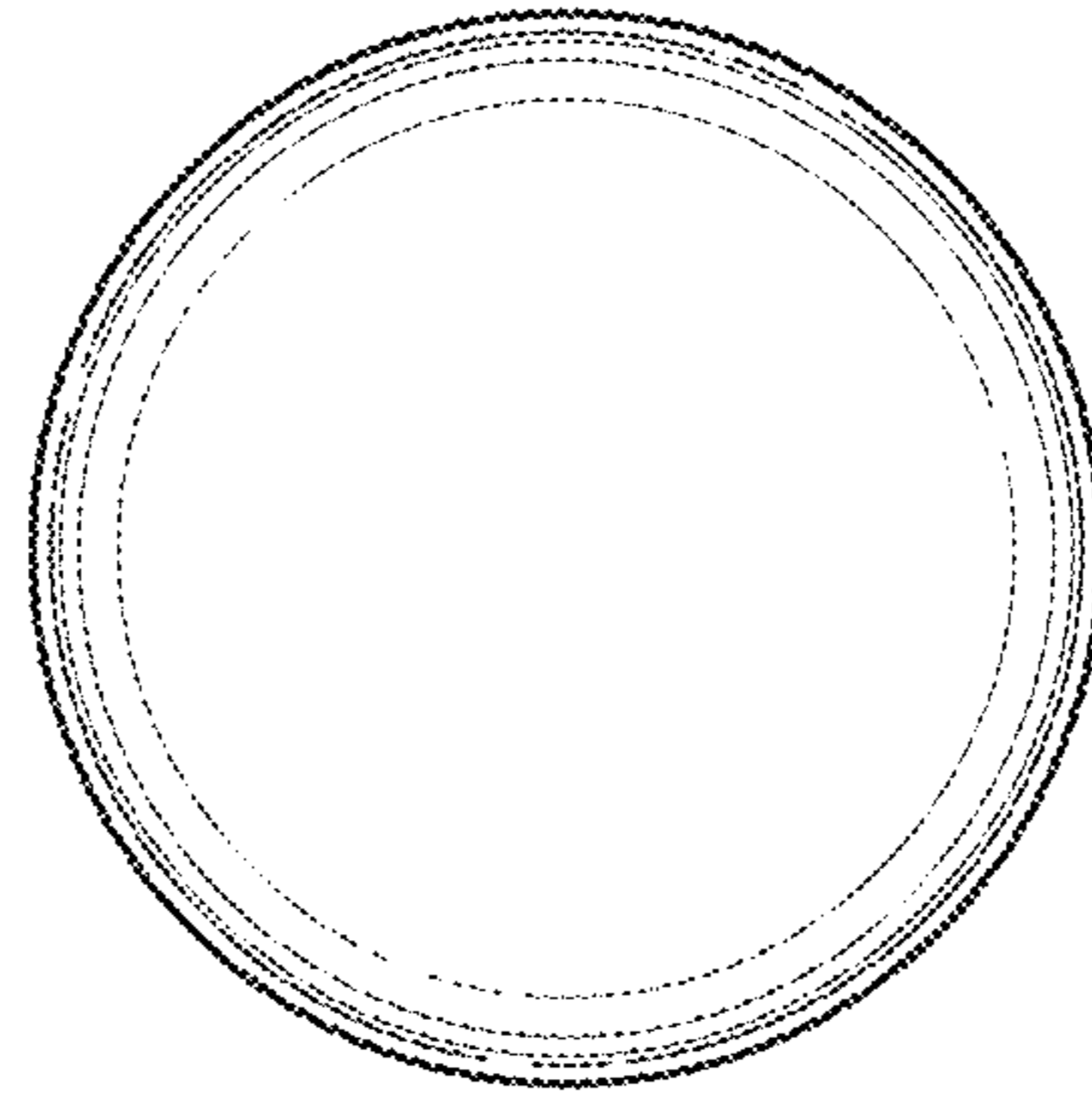


FIG. 7

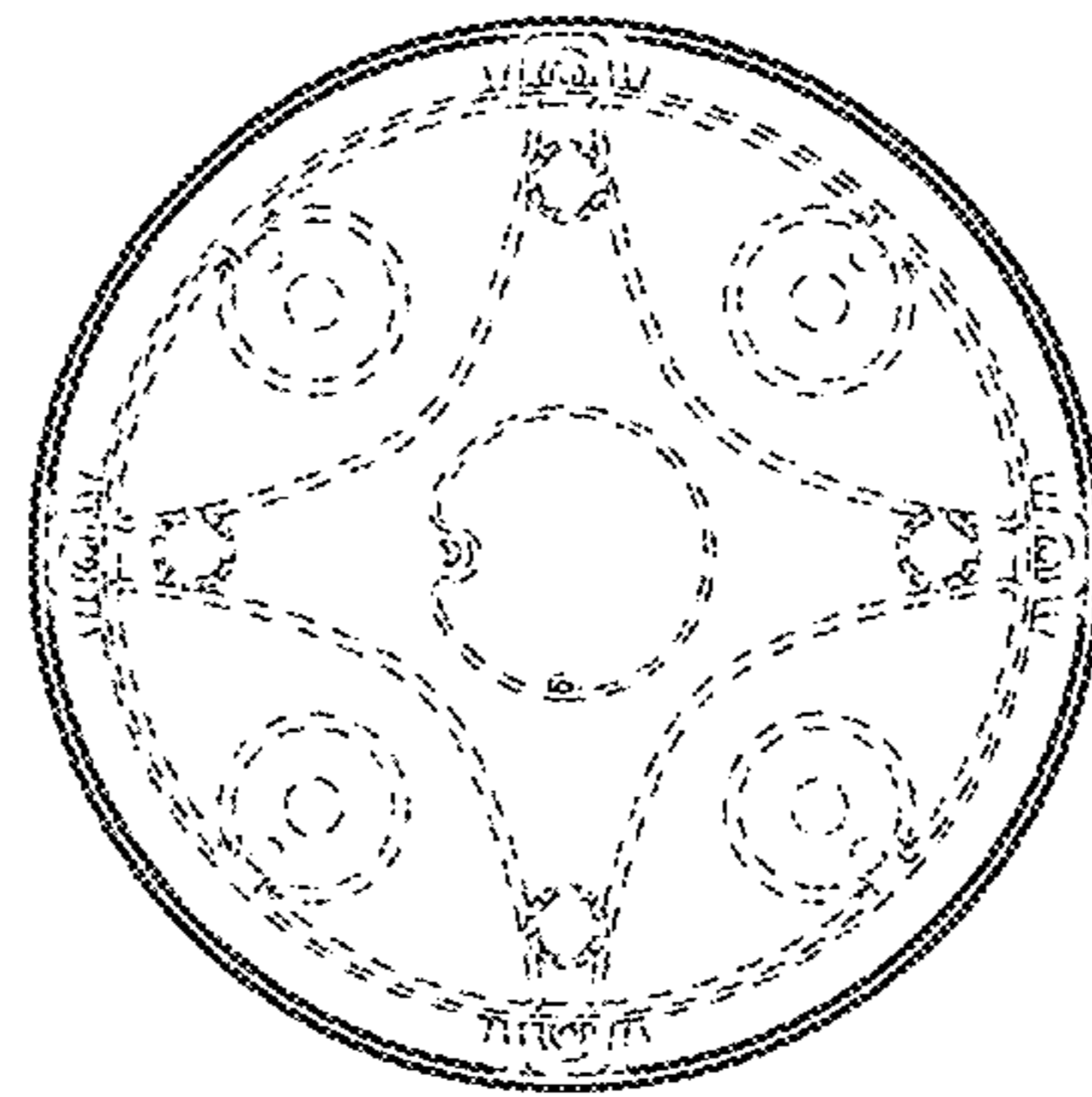


FIG. 8

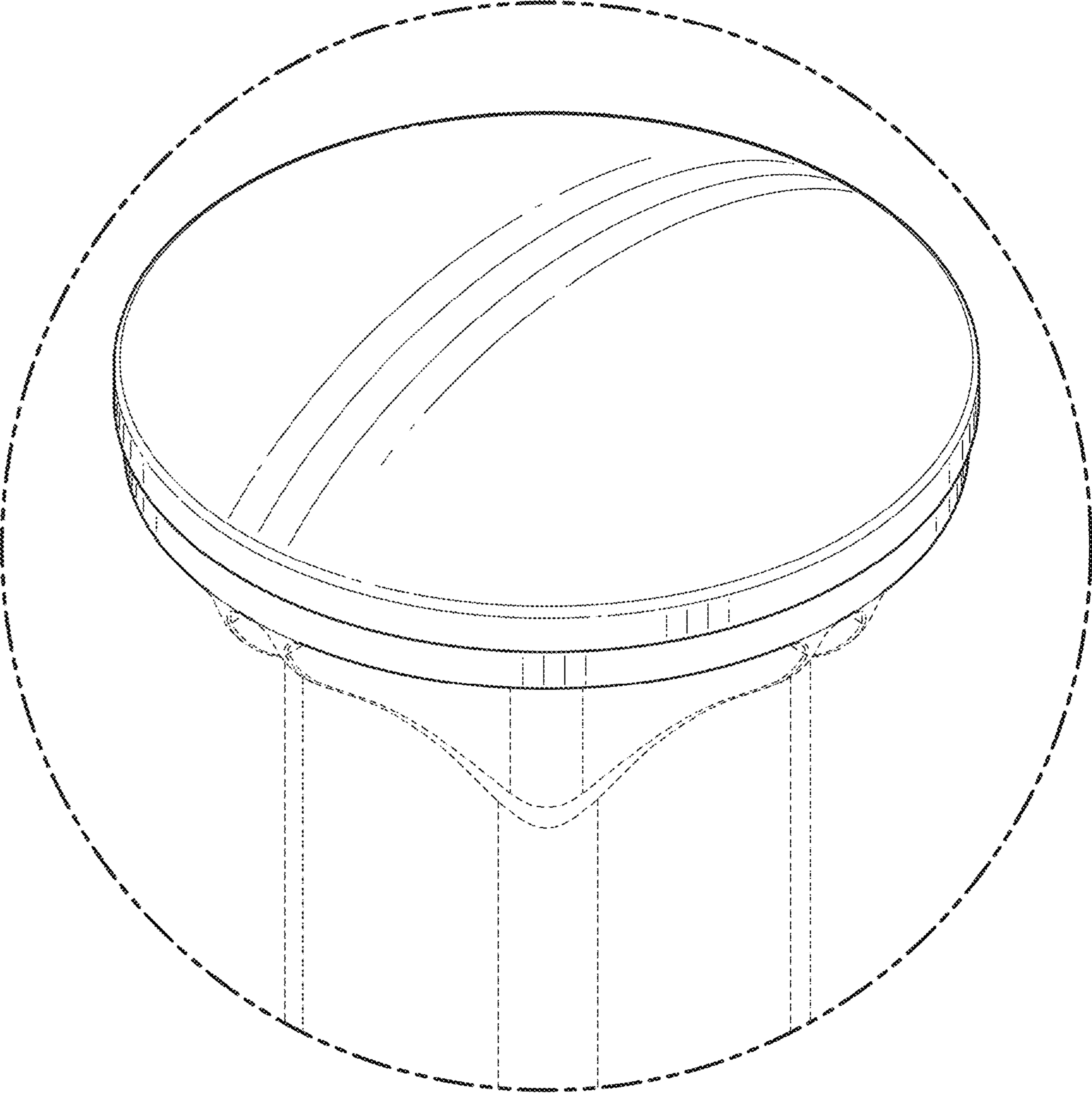


FIG. 9