



US00D938064S

(12) **United States Design Patent** (10) **Patent No.:** **US D938,064 S**  
**Gori et al.** (45) **Date of Patent:** **\*\* Dec. 7, 2021**

(54) **DOOR GASKET**  
(71) Applicant: **Leaf Home Safety Solutions, LLC.**,  
Hudson, OH (US)  
(72) Inventors: **Michael Gori**, Hudson, OH (US);  
**Thomas Victor Czerny**, Streetsboro,  
OH (US)  
(\*\*) Term: **15 Years**  
(21) Appl. No.: **29/718,681**  
(22) Filed: **Dec. 27, 2019**  
(51) **LOC (13) Cl.** ..... **25-01**  
(52) **U.S. Cl.**  
USPC ..... **D25/48.2**  
(58) **Field of Classification Search**  
USPC ..... D25/119, 122, 123, 124, 125, 199, 48.2;  
D8/400, 402, 403  
CPC ..... E06B 7/20; E05C 19/161; F25D 23/021;  
F25D 23/087  
See application file for complete search history.

6,526,698 B2 \* 3/2003 Park ..... E05C 19/161  
49/489.1  
D692,593 S \* 10/2013 Hanser ..... D25/124  
D697,640 S \* 1/2014 Ksiezopolski ..... D25/124  
D745,189 S \* 12/2015 Stoesser ..... D25/48.2  
D753,840 S \* 4/2016 Atkinson ..... D25/48.2  
D761,208 S \* 7/2016 Wolff ..... D13/152  
9,492,038 B2 \* 11/2016 Taingtae ..... A47K 3/34  
D794,830 S \* 8/2017 Altieri, Jr. .... D25/48.2  
D829,927 S \* 10/2018 McClure ..... D25/48.2  
D837,405 S \* 1/2019 Greene ..... D25/48.2  
D851,783 S \* 6/2019 Dintheer ..... D25/48.3  
D857,237 S \* 8/2019 Bryant ..... D25/48.2  
10,550,619 B2 \* 2/2020 Caffrey ..... E05F 11/54  
D891,641 S \* 7/2020 Greene ..... D25/48.2

(Continued)

*Primary Examiner* — Darlington Ly  
(74) *Attorney, Agent, or Firm* — Benesch, Friedlander,  
Coplan & Aronoff LLP

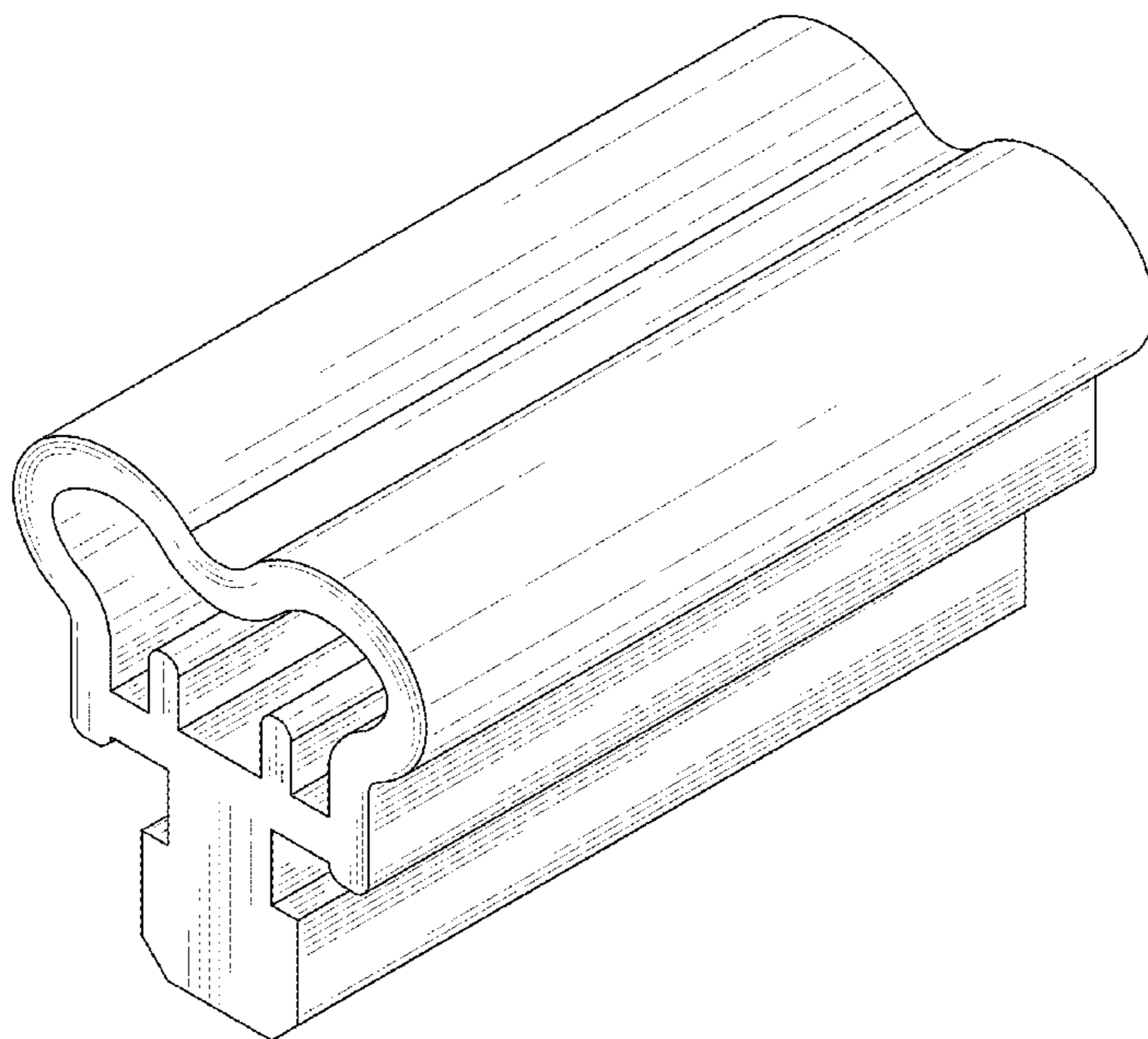
(57) **CLAIM**  
The ornamental design for a door gasket, as shown and  
described.

**DESCRIPTION**

FIG. 1 is a top and front perspective view of a door gasket  
embodying our new design;  
FIG. 2 is a bottom and front perspective view of the door  
gasket of FIG. 1;  
FIG. 3 is a front elevation view of the door gasket of FIG.  
1;  
FIG. 4 is a rear elevation view of the door gasket of FIG. 1;  
FIG. 5 is a left-side elevation view of the door gasket of FIG.  
1;  
FIG. 6 is a right-side elevation view of the door gasket of  
FIG. 1;  
FIG. 7 is a top plan view of the door gasket of FIG. 1; and,  
FIG. 8 is a bottom plan view of the door gasket of FIG. 1.

**1 Claim, 6 Drawing Sheets**

(56) **References Cited**  
U.S. PATENT DOCUMENTS  
4,015,368 A \* 4/1977 Court ..... B60J 10/86  
49/489.1  
D275,324 S \* 8/1984 Wahlin ..... D25/124  
4,509,292 A \* 4/1985 Konle ..... F25D 23/087  
49/493.1  
4,558,553 A \* 12/1985 Kolk ..... A47B 95/043  
108/27  
D305,368 S \* 1/1990 Clark ..... D25/124  
4,991,352 A \* 2/1991 Hyer ..... E06B 7/2309  
49/489.1  
D331,916 S \* 12/1992 DuBrucq ..... D13/155  
5,606,828 A \* 3/1997 Hall ..... E05C 19/161  
49/478.1  
D427,326 S \* 6/2000 Bevan ..... D25/121



(56)

**References Cited**

U.S. PATENT DOCUMENTS

D892,353 S \* 8/2020 Greene ..... D25/48.2  
D907,749 S \* 1/2021 Wang ..... D23/303  
2018/0002976 A1\* 1/2018 Dintheer ..... E06B 7/21

\* cited by examiner

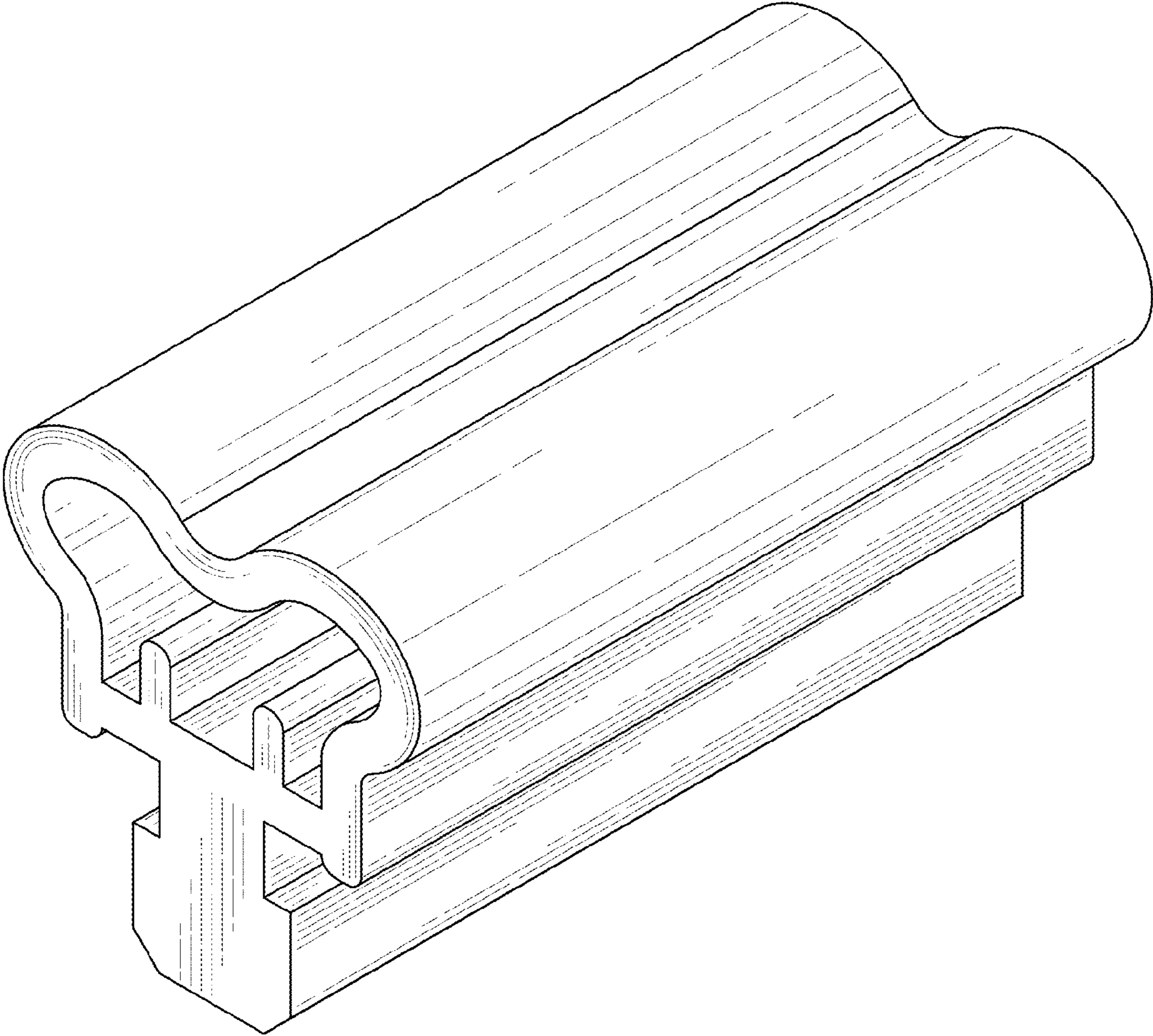


FIG. 1



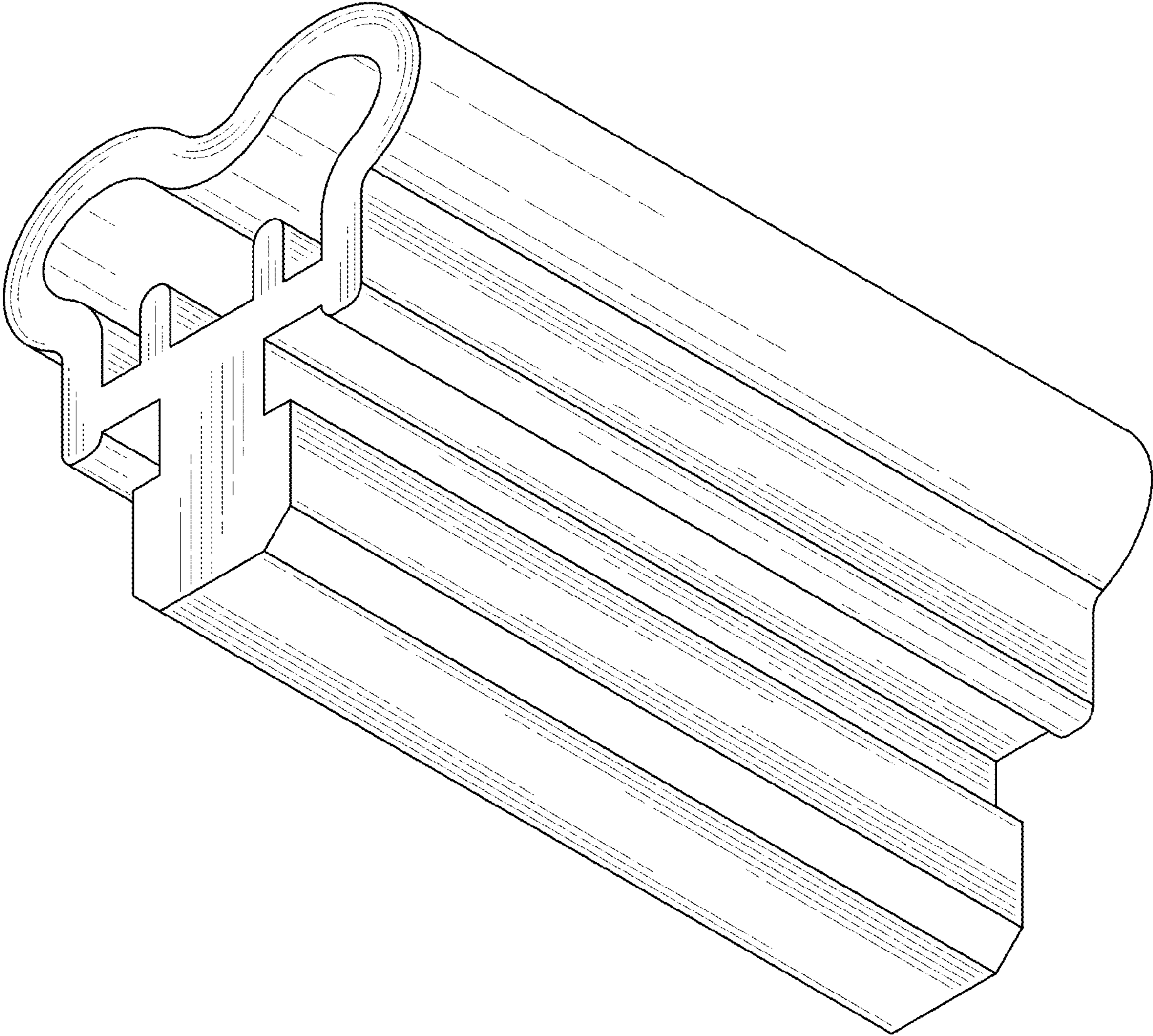


FIG. 2

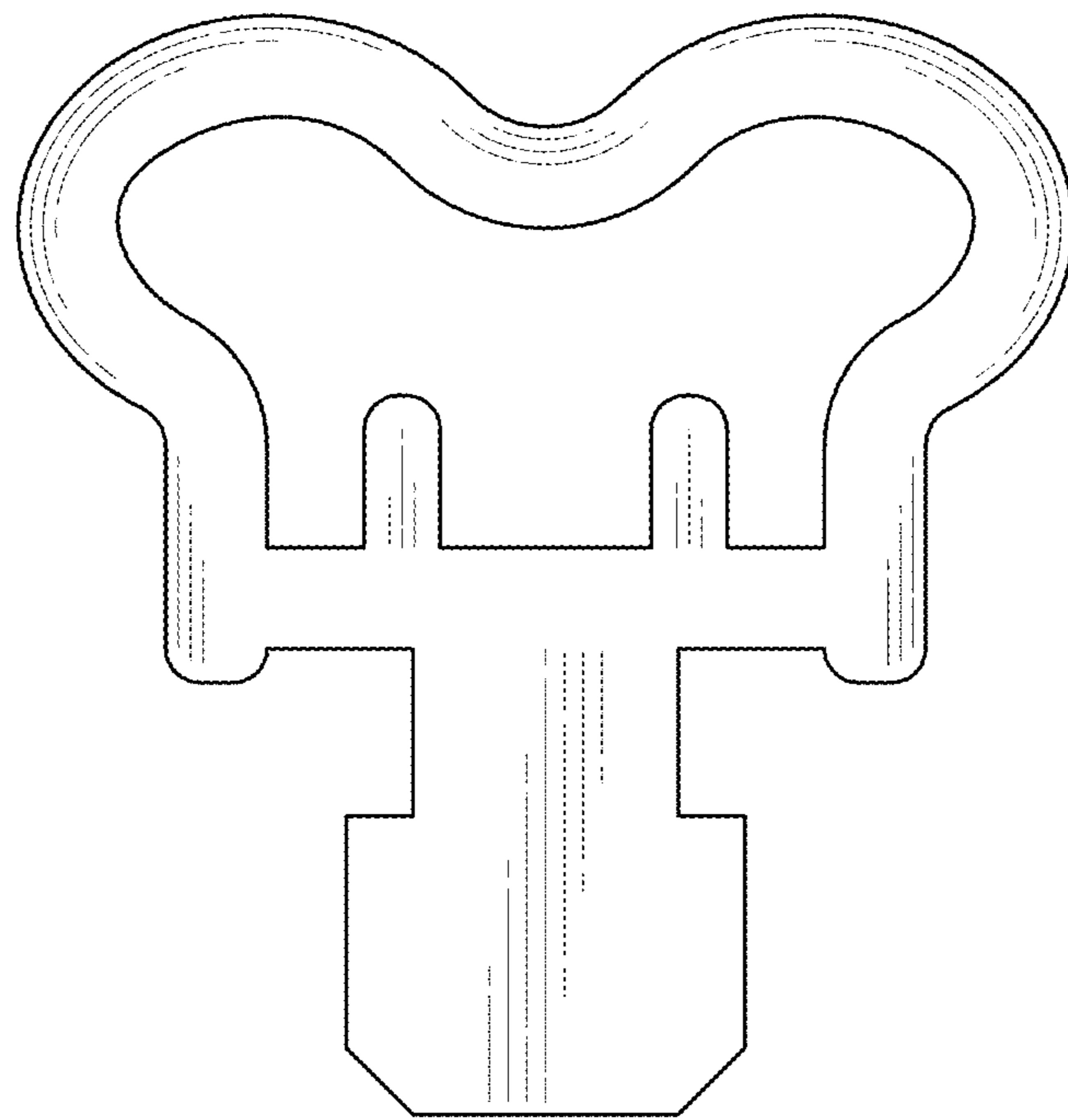


FIG. 3

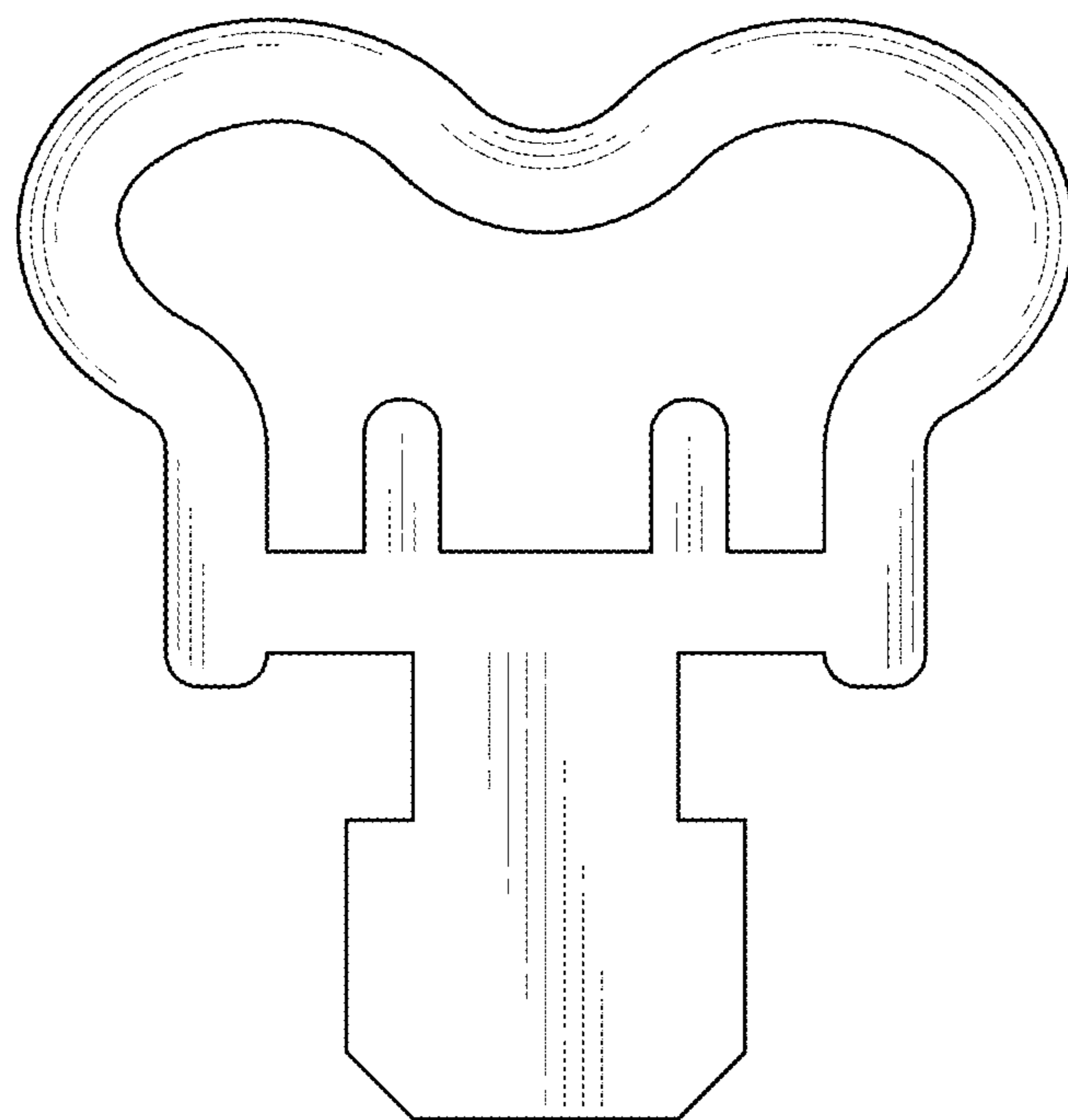


FIG. 4

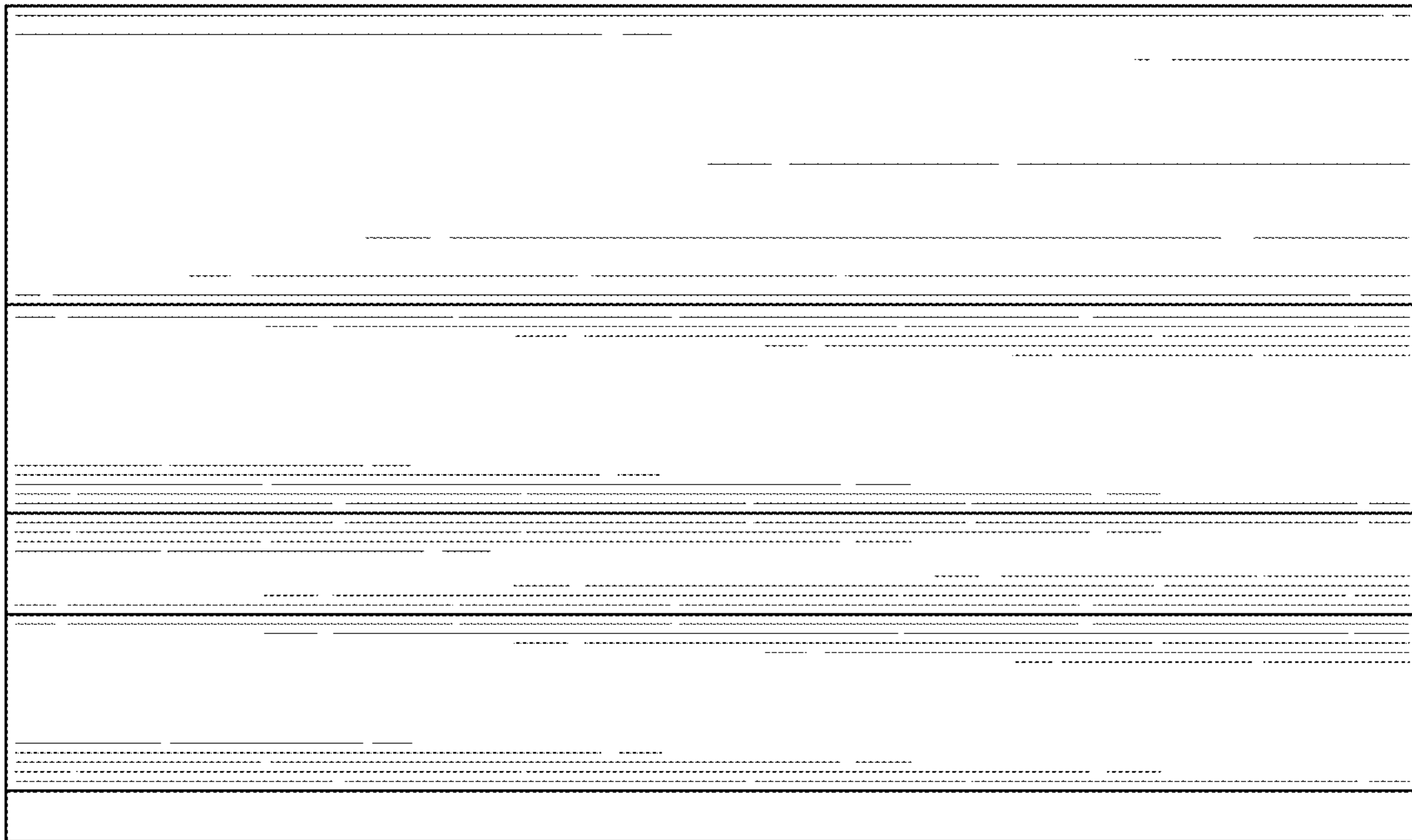


FIG. 5

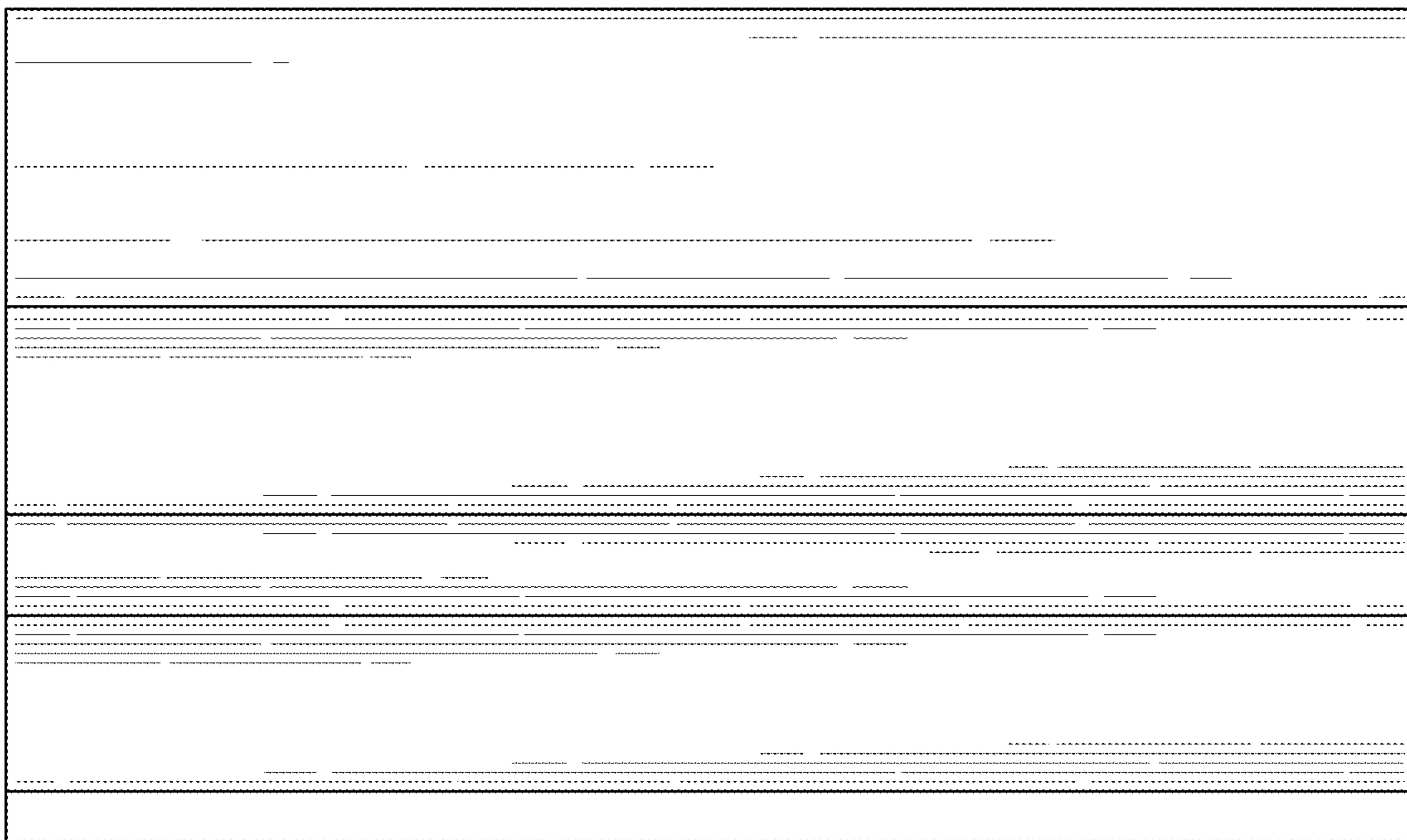


FIG. 6

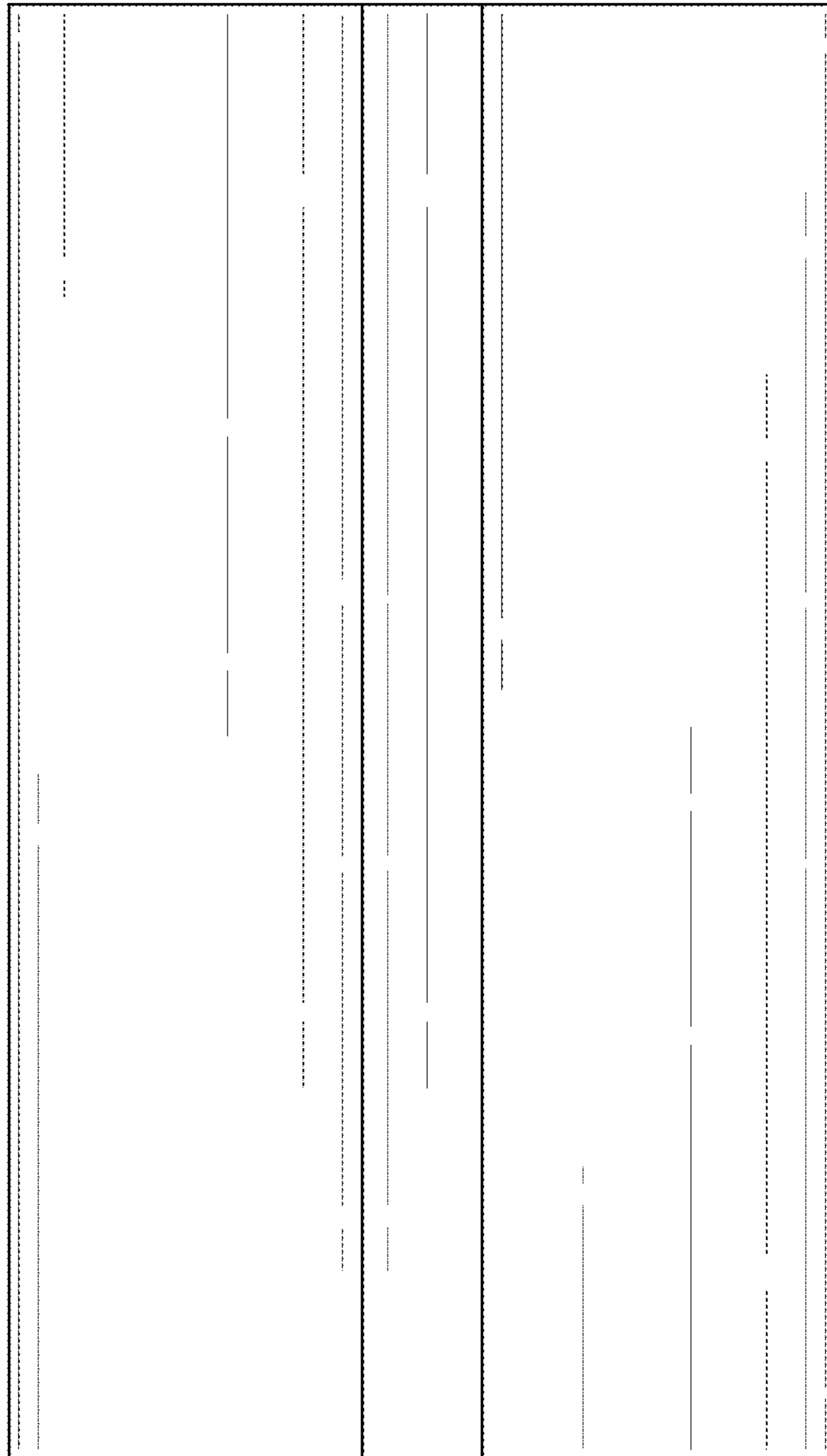


FIG. 7

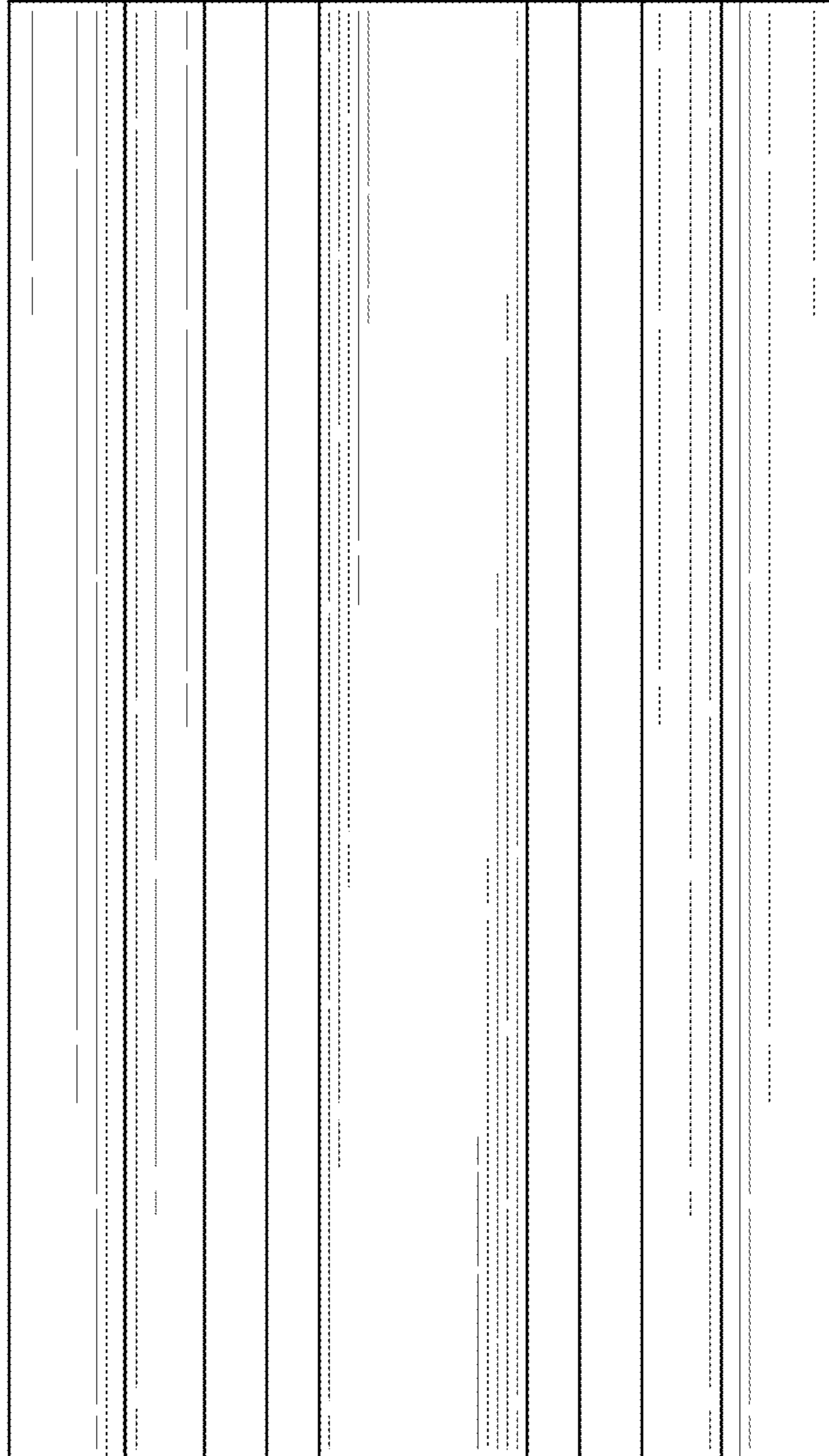


FIG. 8