

US00D938063S

(12) **United States Design Patent**
Williamson

(10) **Patent No.:** **US D938,063 S**

(45) **Date of Patent:** **** Dec. 7, 2021**

(54) **ULTRAVIOLET DISINFECTION APPARATUS**

(71) Applicant: **GAMA Healthcare Ltd**, Watford (GB)

(72) Inventor: **William James Williamson**, Watford (GB)

(73) Assignee: **GAMA Healthcare Ltd**, Hemel Hempstead (GB)

(**) Term: **15 Years**

(21) Appl. No.: **29/715,048**

(22) Filed: **Nov. 27, 2019**

(30) **Foreign Application Priority Data**

Aug. 27, 2019 (EP) 006772364-0001

(51) **LOC (13) Cl.** **24-01**

(52) **U.S. Cl.**
USPC **D24/217**

(58) **Field of Classification Search**
USPC D24/216, 217, 218, 219, 232, 185;
D32/1

CPC A61L 2/10; A61L 2/24; A61L 2202/16;
A61L 2202/25; A61L 2202/14

See application file for complete search history.

(56) **References Cited**

U.S. PATENT DOCUMENTS

D140,141 S * 1/1945 Glatther et al. D24/217
D841,180 S * 2/2019 Latchman-Bloom D24/217

D866,792 S * 11/2019 Latchman-Bloom D24/217
2011/0215261 A1 * 9/2011 Lyslo A61L 2/24
250/492.1
2013/0243647 A1 * 9/2013 Garner A61L 2/24
422/24
2015/0086420 A1 * 3/2015 Trapani A61L 2/24
422/24
2015/0115170 A1 * 4/2015 Shostak A61L 2/10
250/429
2019/0160192 A1 * 5/2019 Fudakowski A61L 2/10
2020/0268915 A1 * 8/2020 Kreitenberg A61L 2/10

* cited by examiner

Primary Examiner — Anhdao Doan

(74) *Attorney, Agent, or Firm* — Shumaker, Loop & Kendrick, LLP

(57) **CLAIM**

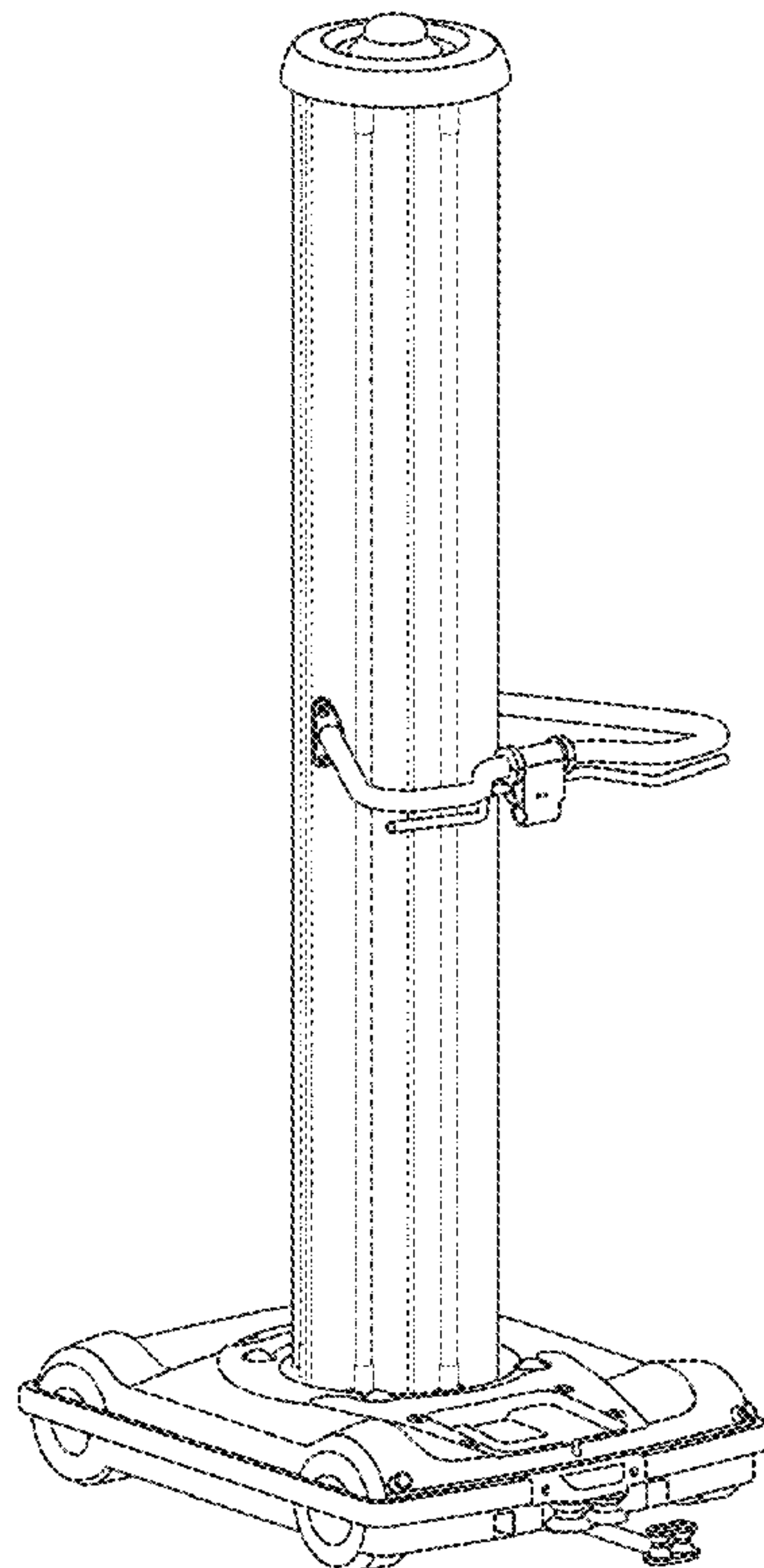
The ornamental design for an ultraviolet disinfection apparatus, as shown and described.

DESCRIPTION

FIG. 1 is a side perspective view of an ultraviolet disinfection apparatus showing my new design;
FIG. 2 is a front view thereof;
FIG. 3 is a rear view thereof;
FIG. 4 is a side view thereof;
FIG. 5 is an opposite side view thereof
FIG. 6 is a top view thereof; and,
FIG. 7 is a bottom view thereof.

The broken line(s) shown in the figures represent portions of the ultraviolet disinfection apparatus that form no part of the claimed design.

1 Claim, 7 Drawing Sheets



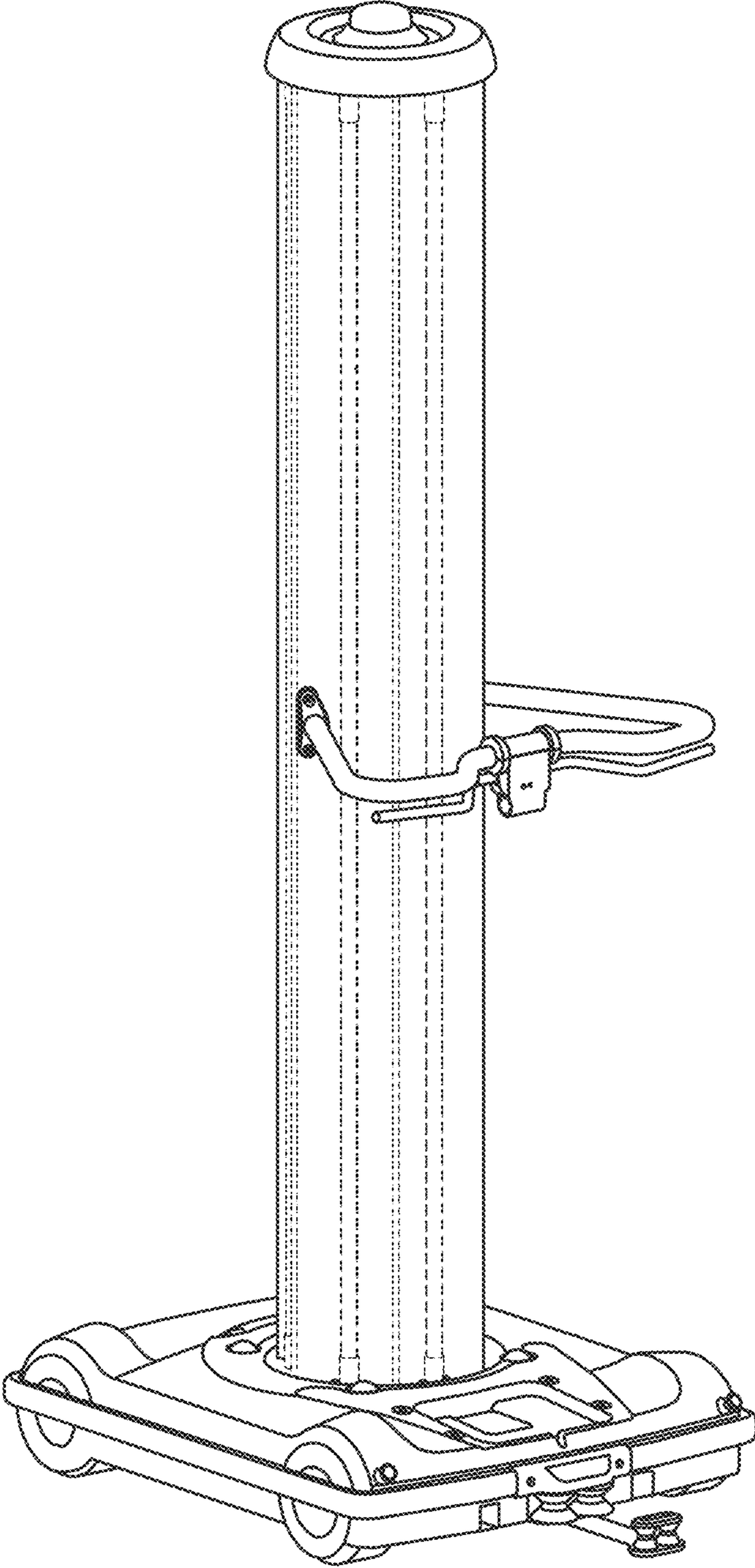


FIG. 1

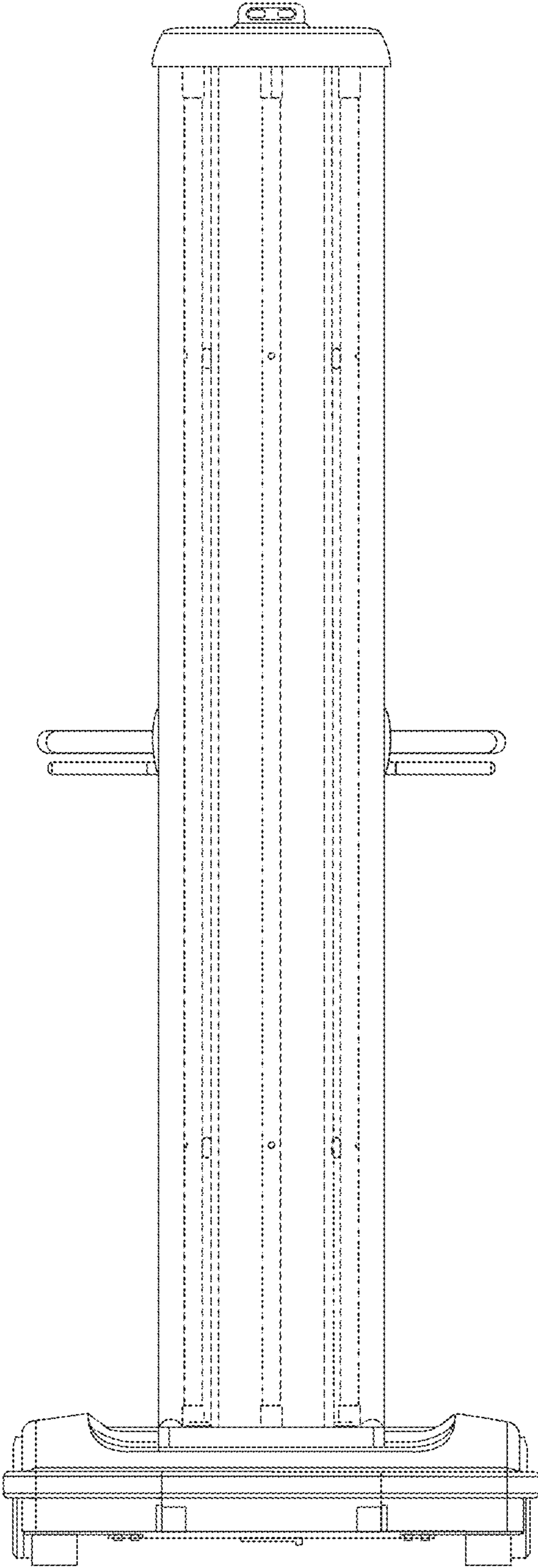


FIG. 2

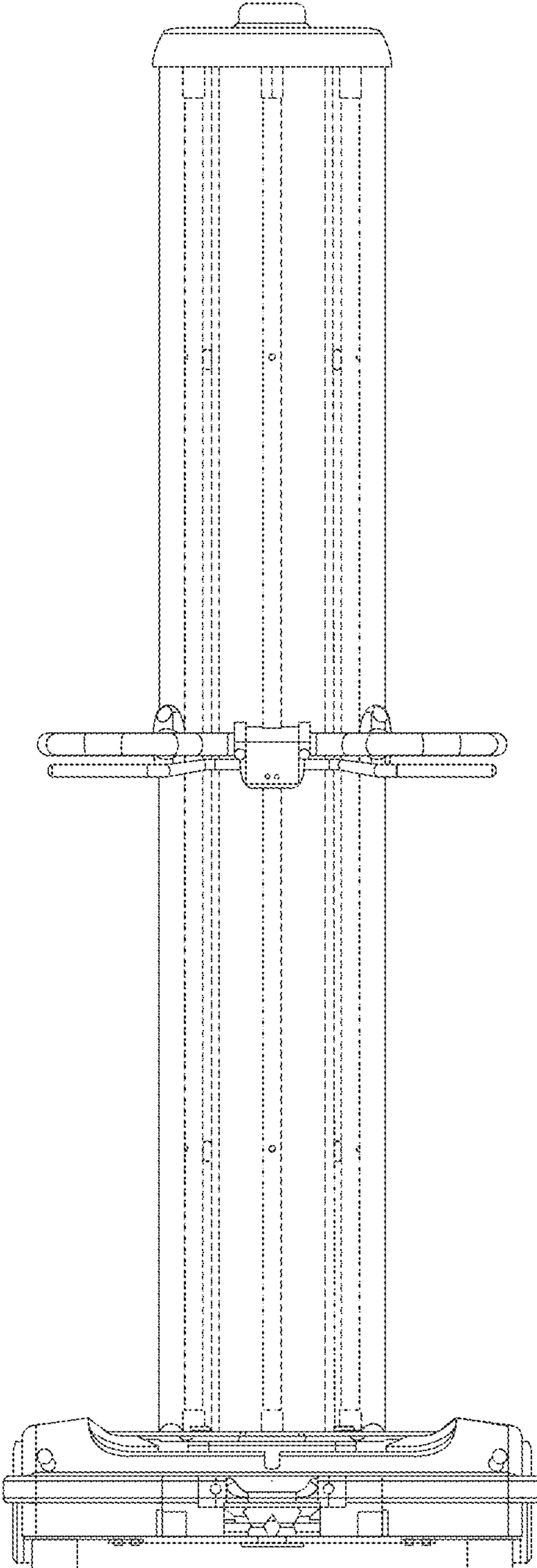


FIG. 3

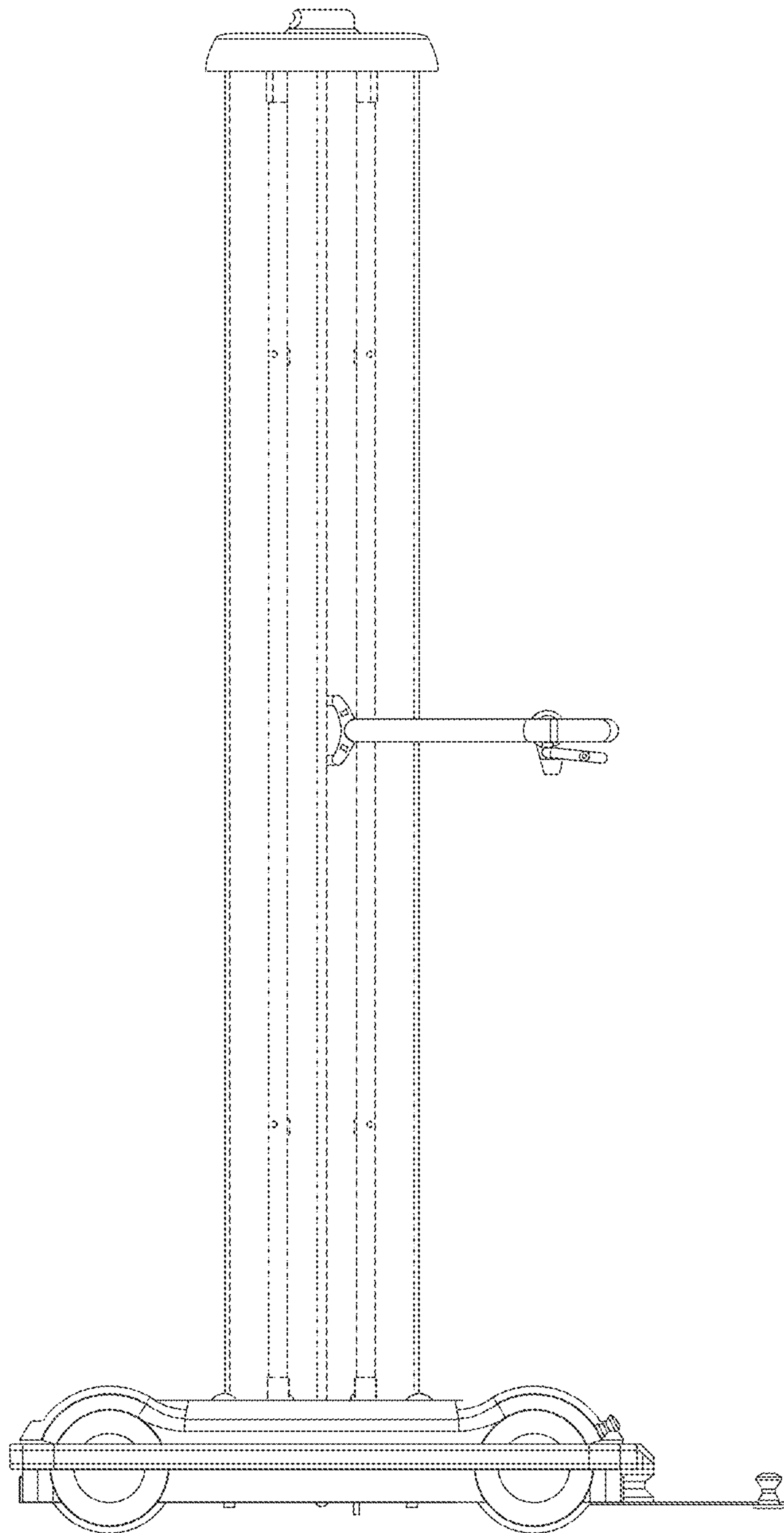


FIG. 4

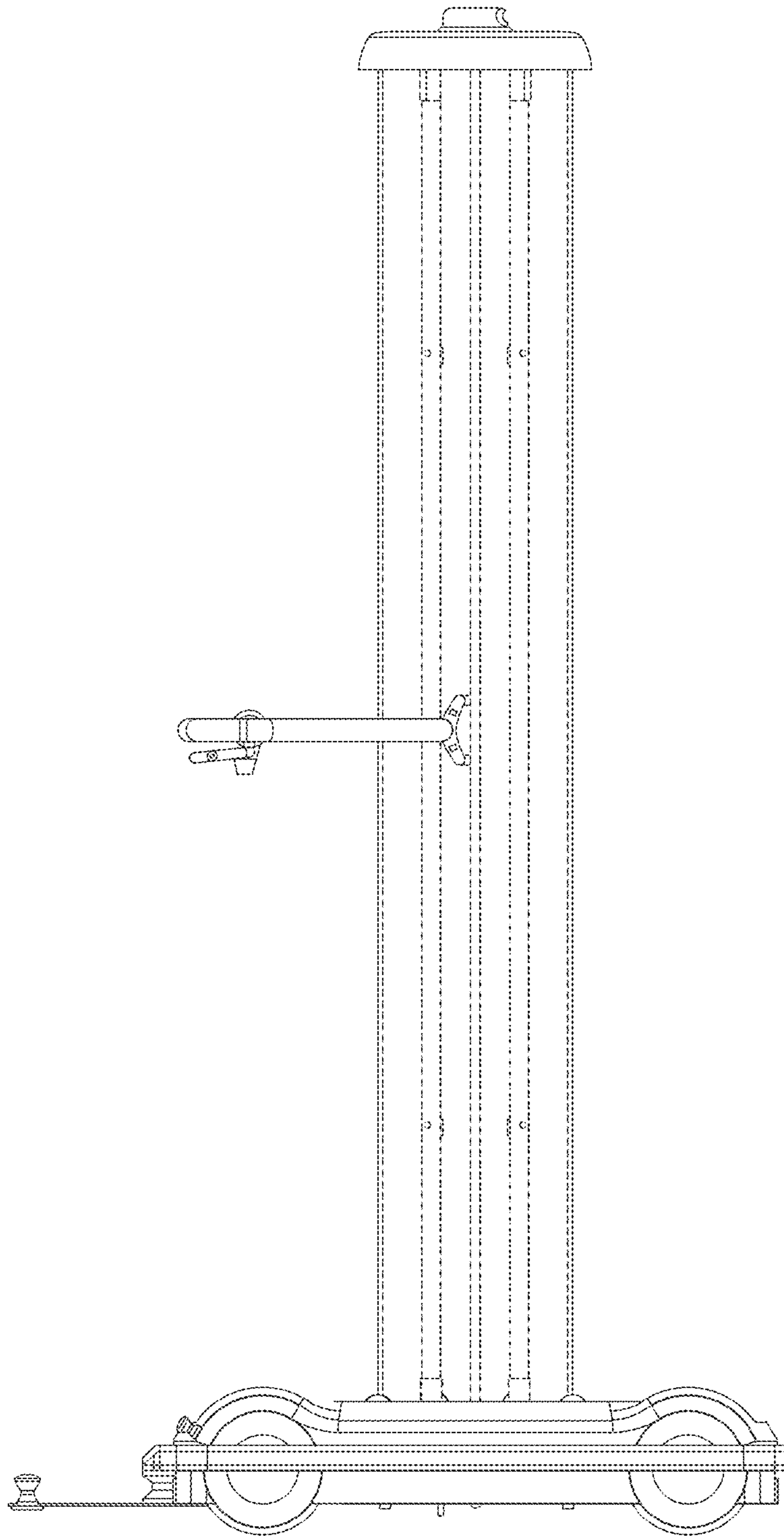


FIG. 5

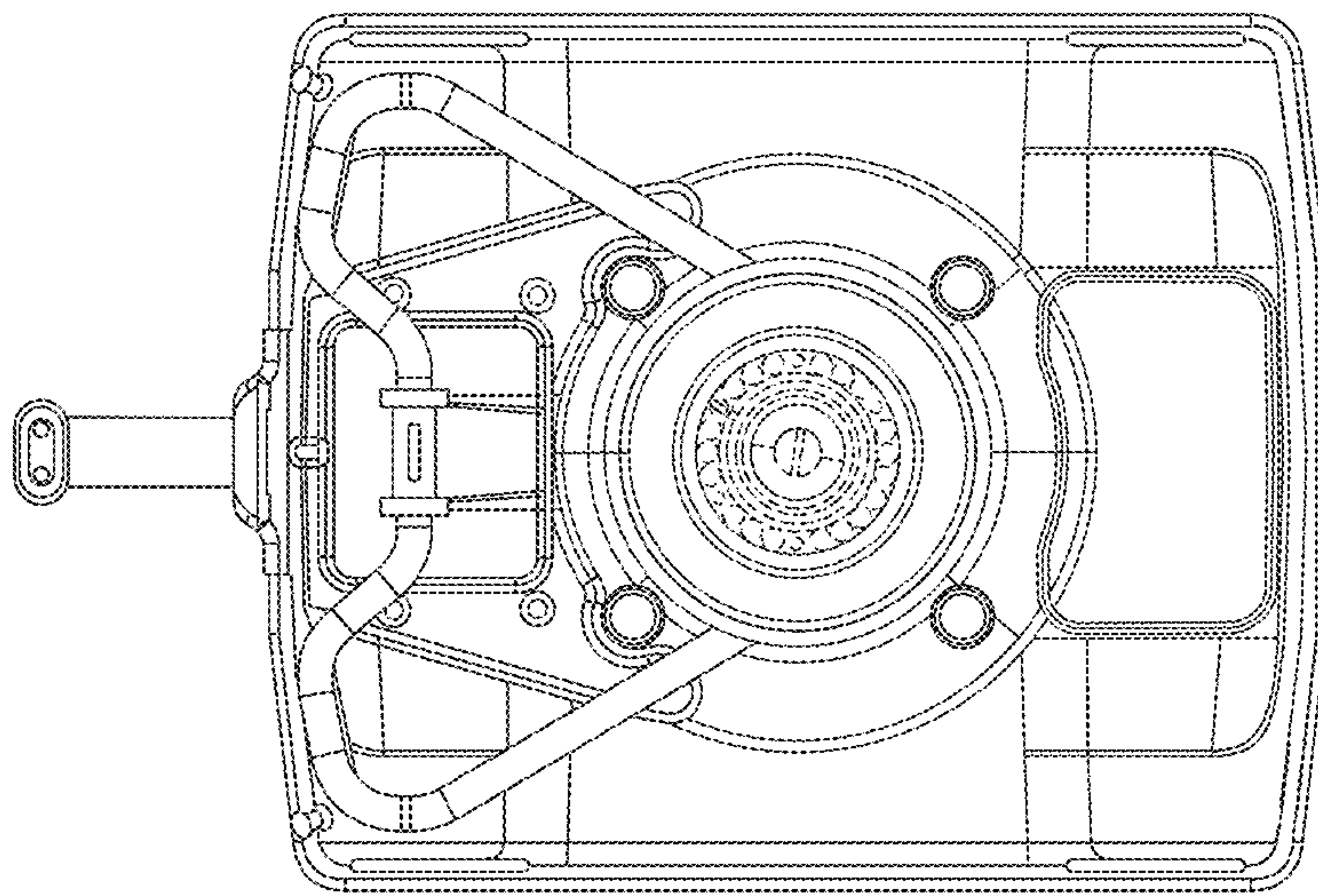


FIG. 6

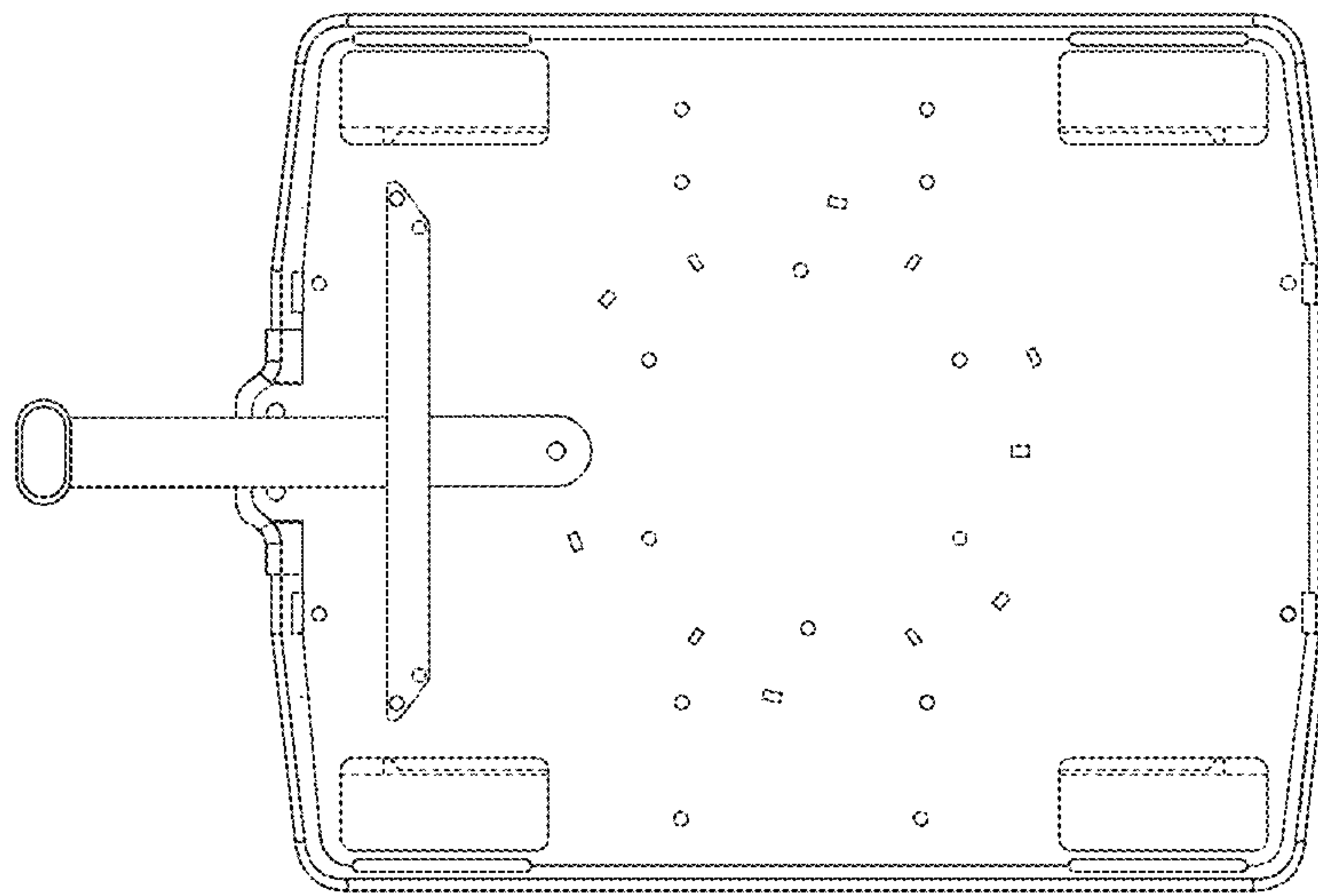


FIG. 7