



US00D938062S

(12) **United States Design Patent** (10) **Patent No.:** **US D938,062 S**
Werth et al. (45) **Date of Patent:** **** Dec. 7, 2021**

(54) **BIOPSY SAMPLE COLLECTOR**
(71) Applicant: **Morpheus AG**, Spaichingen (DE)
(72) Inventors: **Jens Werth**, Denkingen (DE); **Timo Rack**, Riehtheim-Weilheim (DE)
(73) Assignee: **Morpheus AG**, Spaichingen (DE)
(**) Term: **15 Years**
(21) Appl. No.: **29/720,886**
(22) Filed: **Jan. 16, 2020**

10,064,606 B1 * 9/2018 Williams B01L 3/5029
10,525,473 B2 * 1/2020 Williams A61B 10/0096
D882,817 S * 4/2020 Norton D24/224
D886,320 S * 6/2020 Bruemmer B01L 3/50851
D24/216
D888,274 S * 6/2020 Khalaj B01L 3/50825
D24/224
D896,980 S * 9/2020 Esala A61B 10/0051
D24/224
D898,220 S * 10/2020 Esala D24/224
2005/0065454 A1 * 3/2005 Manoussakis B01L 3/50825
600/576
2014/0243706 A1 * 8/2014 El-Fahmawi A61B 10/02
600/572
2019/0092555 A1 * 3/2019 Ma B01L 3/50851

* cited by examiner

(30) **Foreign Application Priority Data**

Jul. 26, 2019 (EM) 006649091

(51) **LOC (13) Cl.** **24-01**

(52) **U.S. Cl.**
USPC **D24/216; D24/224**

(58) **Field of Classification Search**
USPC D24/216, 219, 223–233, 186, 107, 121,
D24/129; D10/81
CPC B01L 3/5029; B01L 3/508; B01L 3/5082;
B01L 3/50825; B01L 2300/046; B01L
2300/047; B01L 2300/049; B01L
2300/0832; A61B 10/0051; A61B 10/007;
A61B 10/0074; A61B 10/0038; A61B
10/0096

See application file for complete search history.

(56) **References Cited**

U.S. PATENT DOCUMENTS

D588,693 S * 3/2009 Strong B01L 3/5029
D24/112
D743,571 S * 11/2015 Jackson D24/216

Primary Examiner — Anhdao Doan

(74) *Attorney, Agent, or Firm* — Volpe Koenig

(57) **CLAIM**

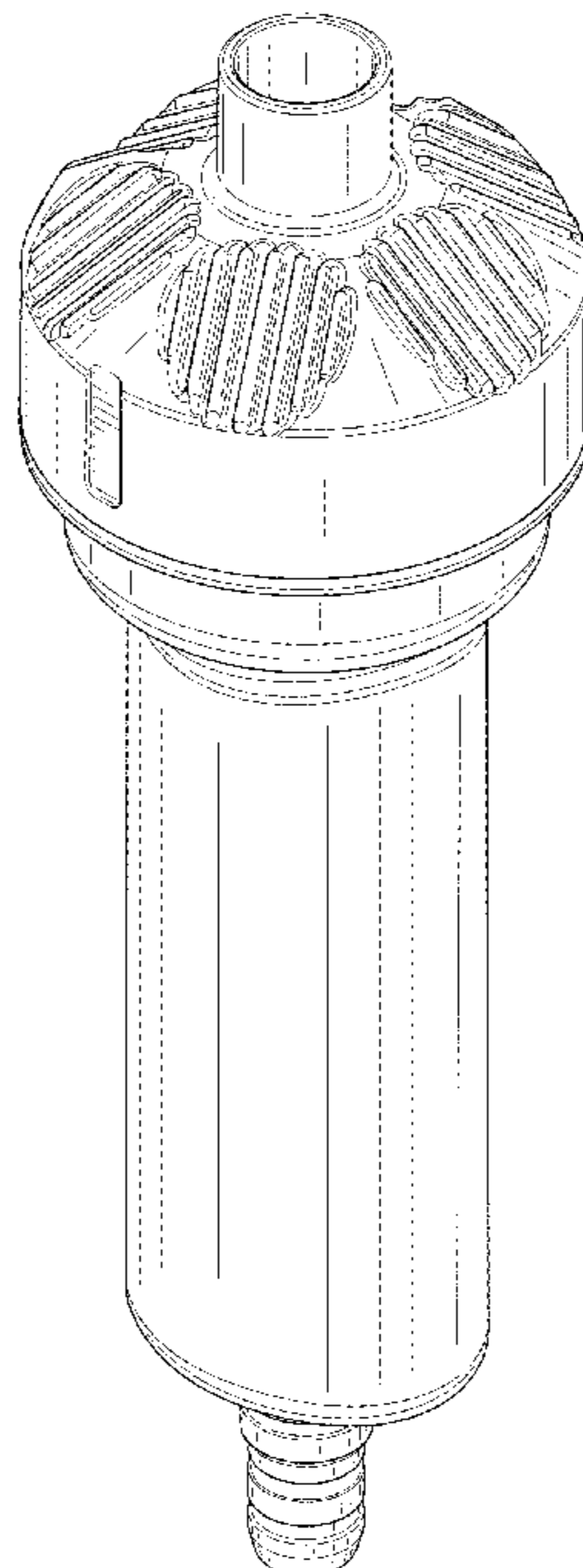
The ornamental design for a biopsy sample collector, as shown and described.

DESCRIPTION

FIG. 1 is a top, front, right perspective view of a biopsy sample collector showing our new design;
FIG. 2 is a bottom, rear, left perspective view thereof;
FIG. 3 is a front elevational view thereof, with the rear elevational view being identical thereto;
FIG. 4 is a right side elevational view thereof, with the left side elevational view being identical thereto;
FIG. 5 is a top plan view thereof; and,
FIG. 6 is a bottom plan view thereof.

The broken lines depict portions of the biopsy sample collector that form no part of the claimed design.

1 Claim, 5 Drawing Sheets



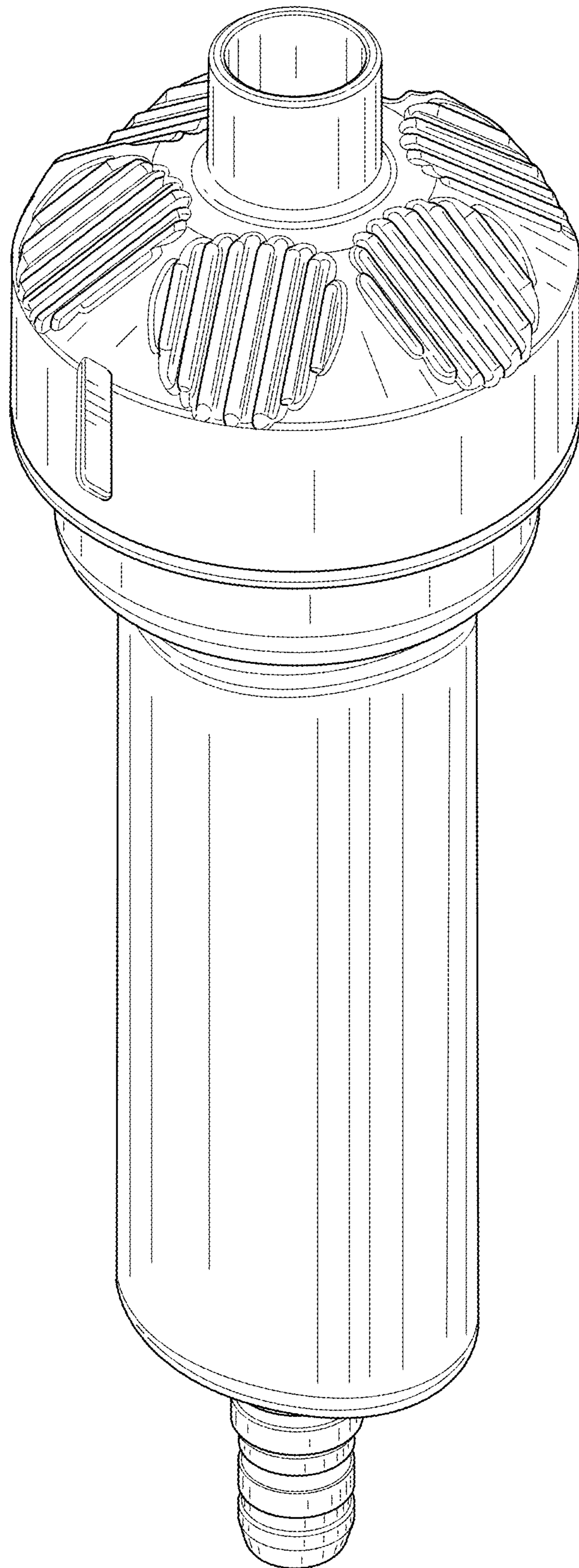


FIG. 1

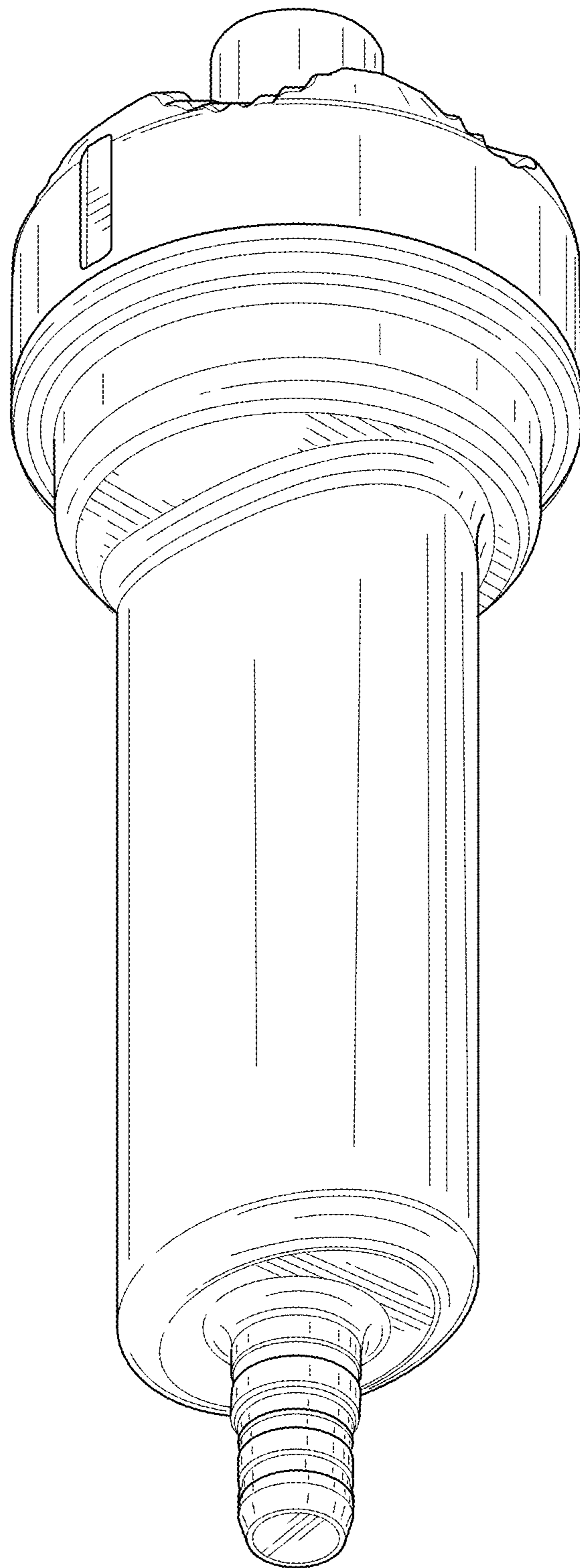


FIG. 2

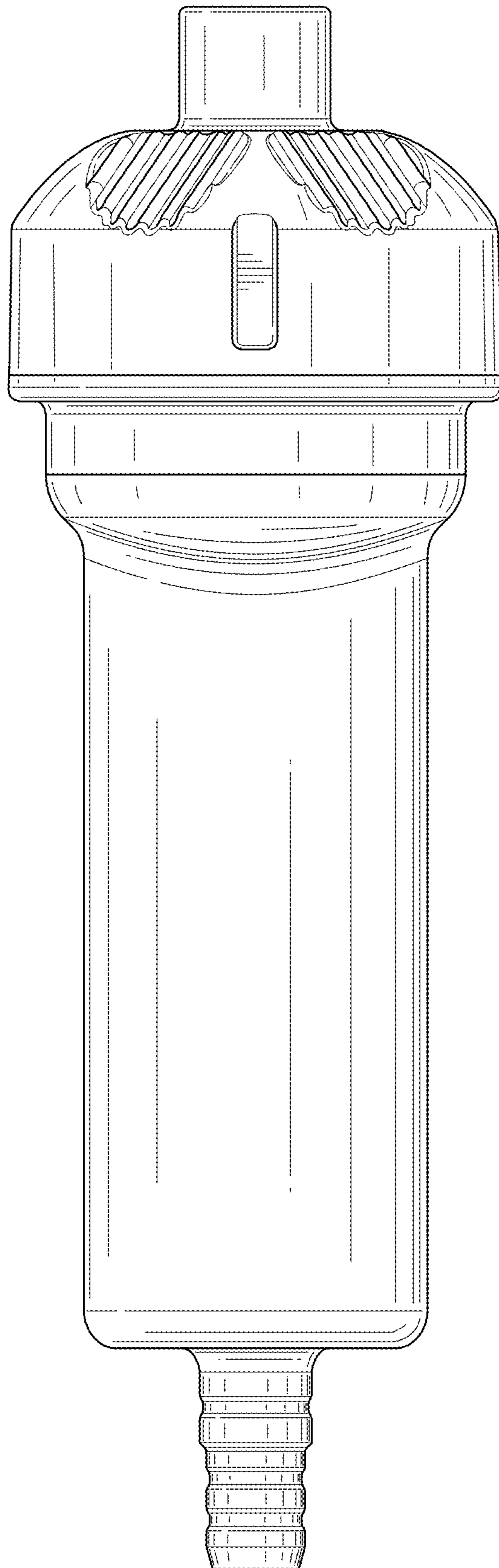


FIG. 3

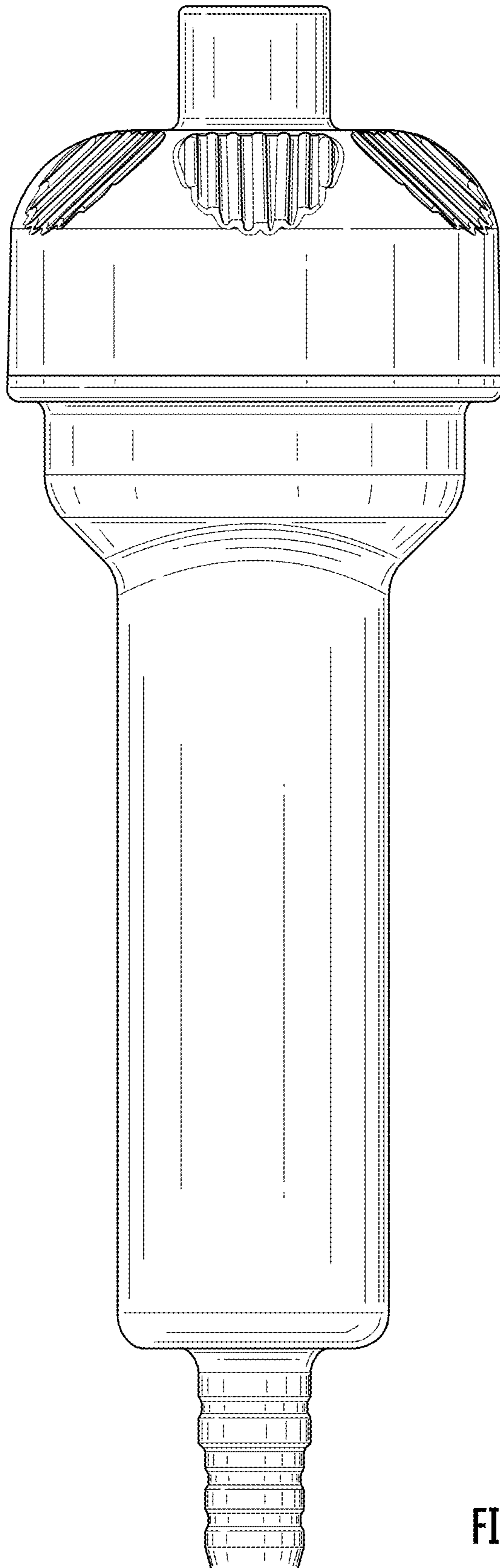


FIG. 4

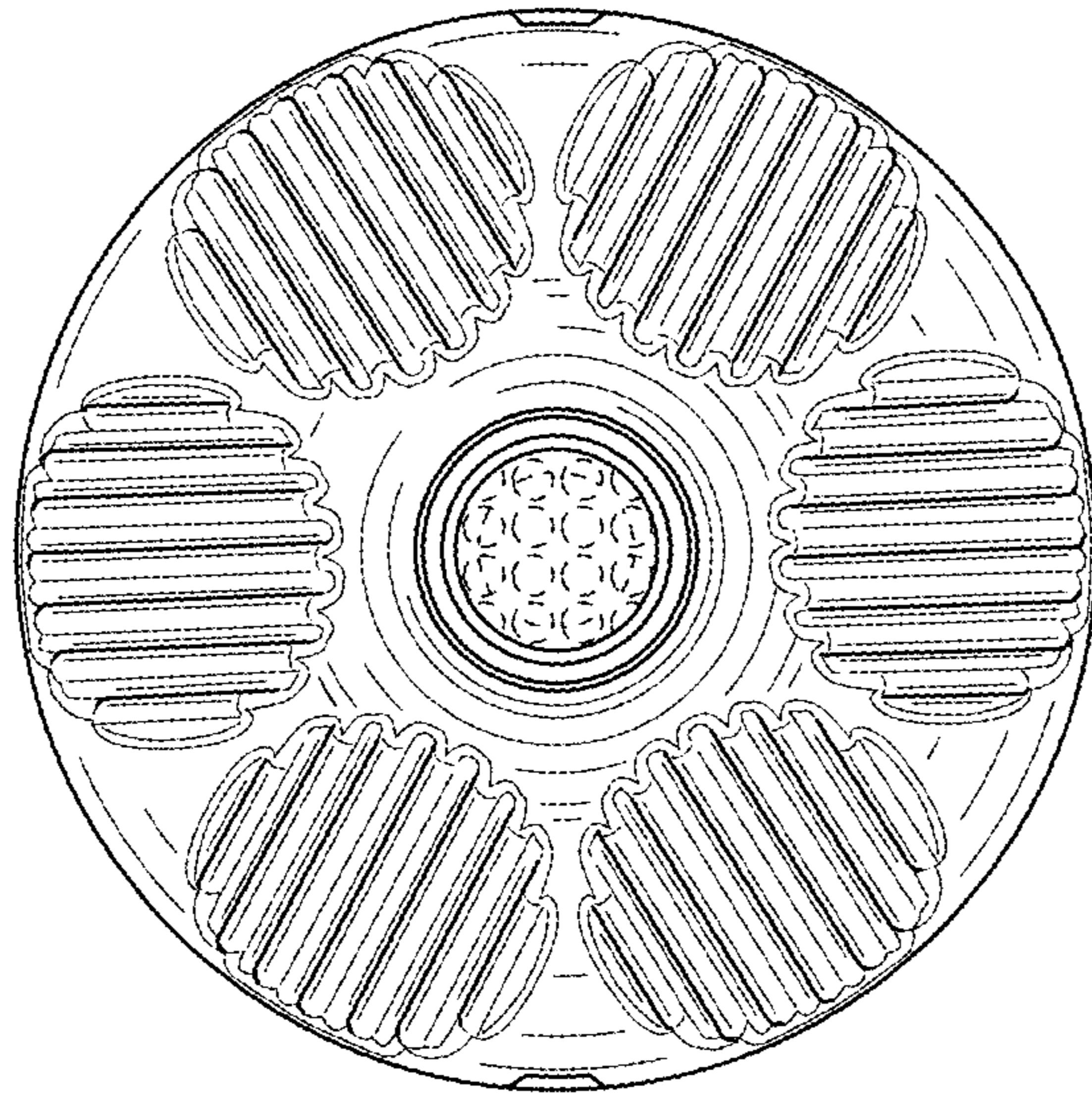


FIG. 5

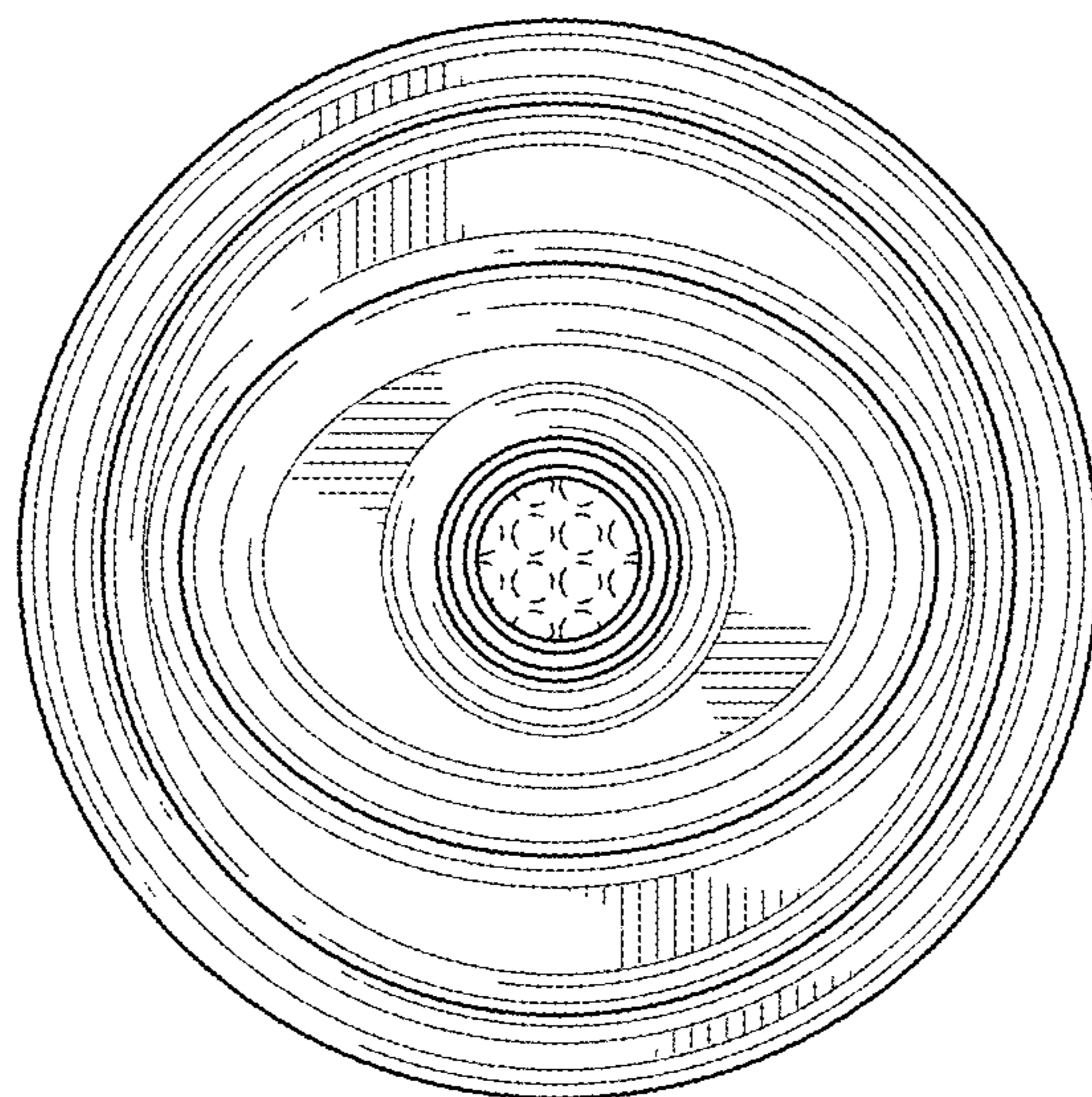


FIG. 6