



US00D938056S

(12) **United States Design Patent**
Wu

(10) **Patent No.:** **US D938,056 S**

(45) **Date of Patent:** **** Dec. 7, 2021**

- (54) **FASCIA MASSAGE GUN**
- (71) Applicant: **Hui Qiang Wu**, Guangdong (CN)
- (72) Inventor: **Hui Qiang Wu**, Guangdong (CN)
- (**) Term: **15 Years**
- (21) Appl. No.: **29/706,421**
- (22) Filed: **Sep. 20, 2019**
- (51) **LOC (13) Cl.** **28-03**
- (52) **U.S. Cl.**
USPC **D24/215**
- (58) **Field of Classification Search**
USPC D24/200, 211, 212, 213, 214, 215;
D8/14.1
CPC A61H 2015/0014; A61H 15/00; A61H
2015/0042
See application file for complete search history.

D886,317 S *	6/2020	Marton	D24/215
D887,573 S *	6/2020	Wersland	D24/215
D893,738 S *	8/2020	Zhuang	D24/215
D895,132 S *	9/2020	Hu	D24/215
D895,133 S *	9/2020	Xu	D24/215
D895,135 S *	9/2020	Xu	D24/215
D895,829 S *	9/2020	Hu	D24/215
D895,831 S *	9/2020	Chen	D24/215
D896,396 S *	9/2020	Wersland	D24/215
D898,209 S *	10/2020	Xu	D24/214
D898,933 S *	10/2020	Xu	D24/215
D899,620 S *	10/2020	Huang	D24/215
D900,329 S *	10/2020	Xu	D24/215
D905,863 S *	12/2020	Lin	D24/215
D906,533 S *	12/2020	Xu	D24/215
D907,229 S *	1/2021	Zhang	D24/215
D907,230 S *	1/2021	Zhang	D24/215
D908,908 S *	1/2021	Xu	D24/215
D910,194 S *	2/2021	Radtke	D24/215
D911,535 S *	2/2021	Yu	D24/200
D912,267 S *	3/2021	Tang	D24/215
D912,268 S *	3/2021	Xiang	D24/215
D912,835 S *	3/2021	Ren	D24/200

(Continued)

(56) **References Cited**

U.S. PATENT DOCUMENTS

D616,558 S *	5/2010	Tsai	D24/200
D847,364 S *	4/2019	Lee	D24/215
10,314,762 B1 *	6/2019	Marton	A61H 23/006
D855,822 S *	8/2019	Marton	D24/215
D866,790 S *	11/2019	Lee	D24/215
D872,869 S *	1/2020	Lu	D24/215
D873,432 S *	1/2020	Duan	D24/214
D874,015 S *	1/2020	Marton	D24/215
D875,961 S *	2/2020	Li	D24/211
D877,351 S *	3/2020	Wersland	D24/215
D879,985 S *	3/2020	Wersland	D24/214
D879,986 S *	3/2020	Wersland	D24/214
D880,714 S *	4/2020	Wersland	D24/215
D880,715 S *	4/2020	Wersland	D24/215
D880,716 S *	4/2020	Wersland	D24/215
D884,207 S *	5/2020	Ma	D24/215
D884,915 S *	5/2020	Wersland	D24/215
D885,601 S *	5/2020	Wersland	D24/215

Primary Examiner — Cynthia Ramirez

Assistant Examiner — Michael A Maharajh

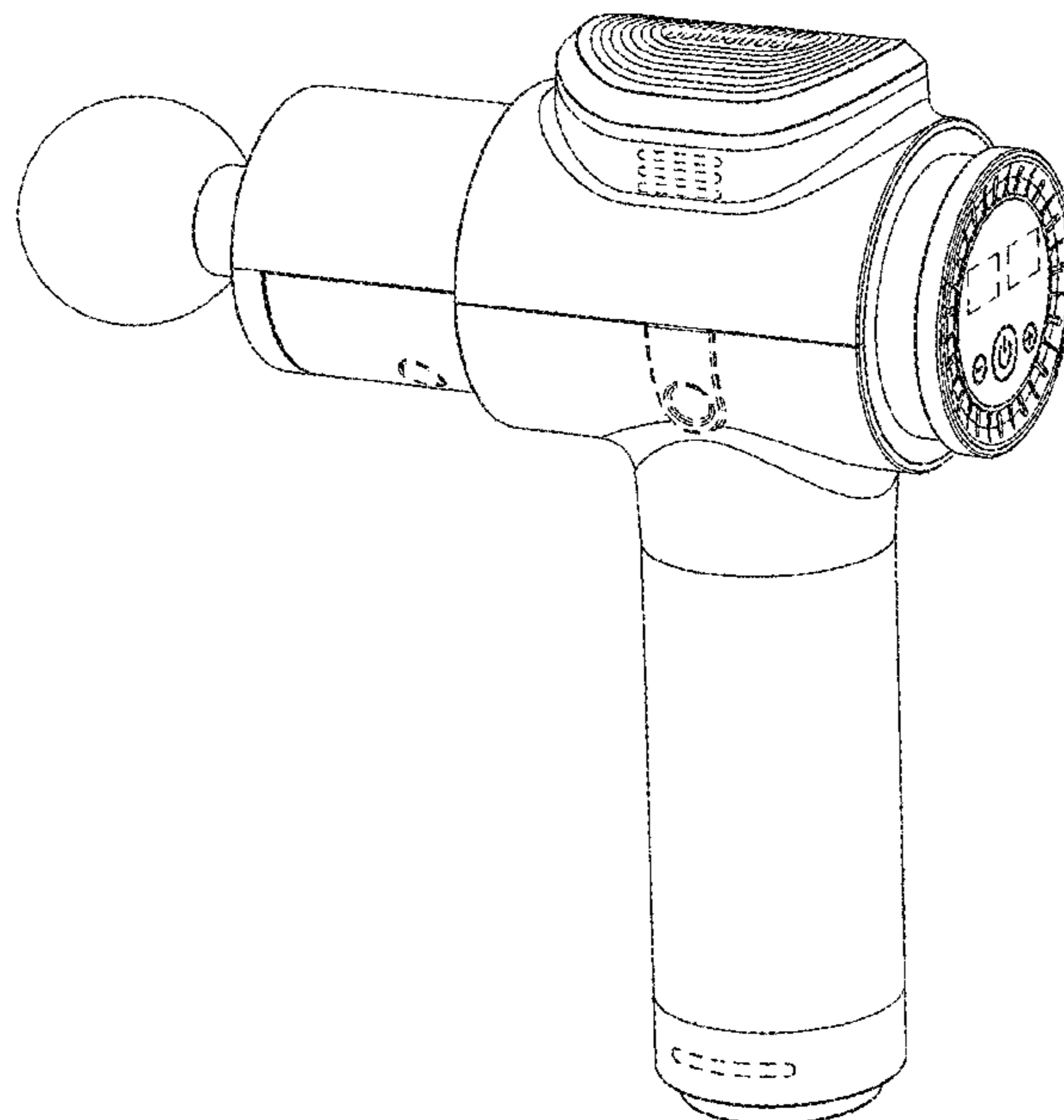
(57) **CLAIM**

The ornamental design for a fascia massage gun, as shown and described.

DESCRIPTION

FIG. 1 is a perspective view of a fascia massage gun showing my new design;
 FIG. 2 is a rear elevation view thereof;
 FIG. 3 is a left side elevation view thereof; and,
 FIG. 4 is a top plan view thereof.
 The broken lines shown in the figures are for the purpose of illustrating portions of the fascia massage gun, which form no part of the claimed design.

1 Claim, 4 Drawing Sheets



(56)

References Cited

U.S. PATENT DOCUMENTS

D913,516 S * 3/2021 Zhang D24/215
D913,517 S * 3/2021 Yu D24/215
2018/0200141 A1* 7/2018 Wersland A61H 23/006

* cited by examiner

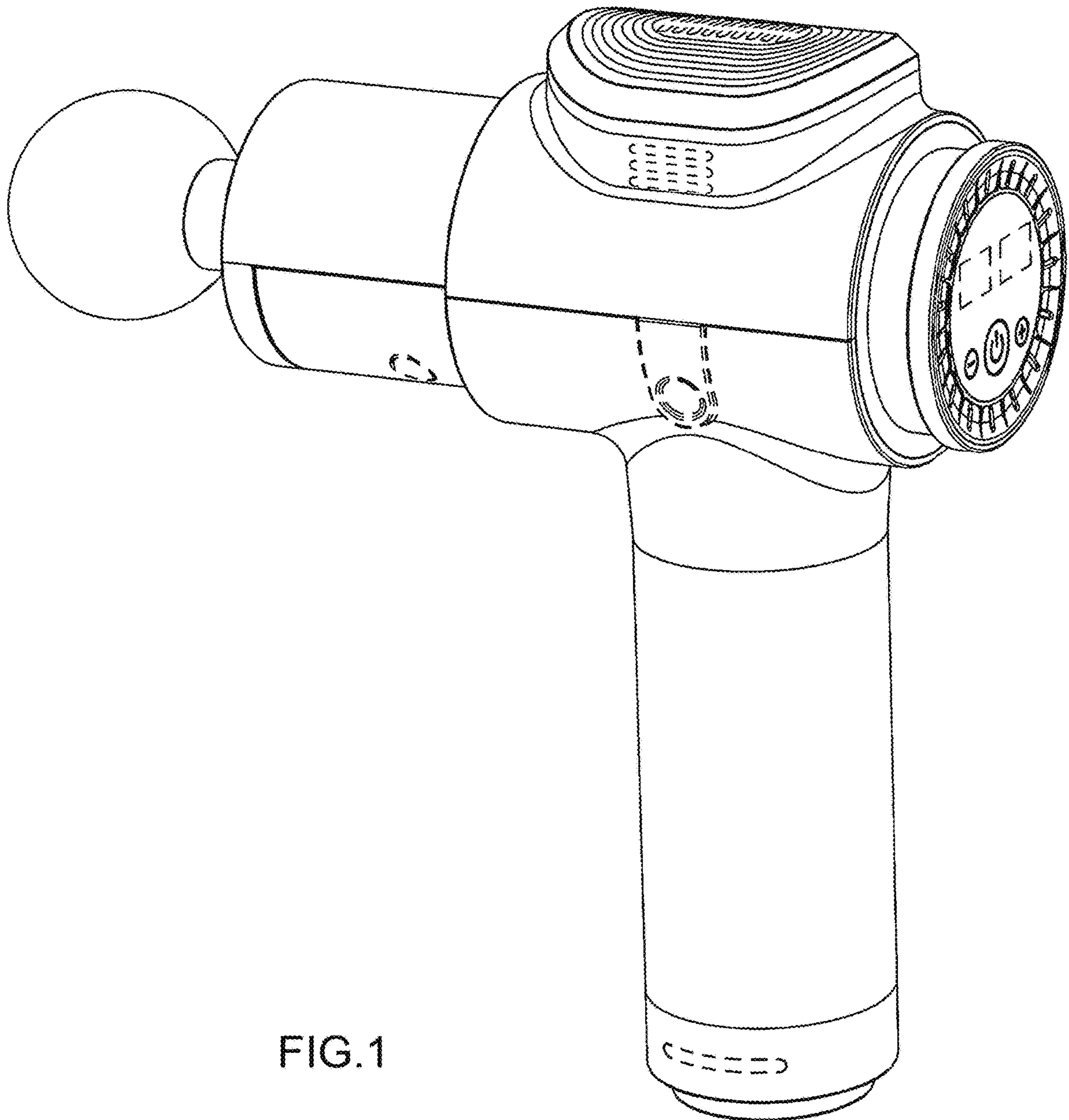


FIG.1

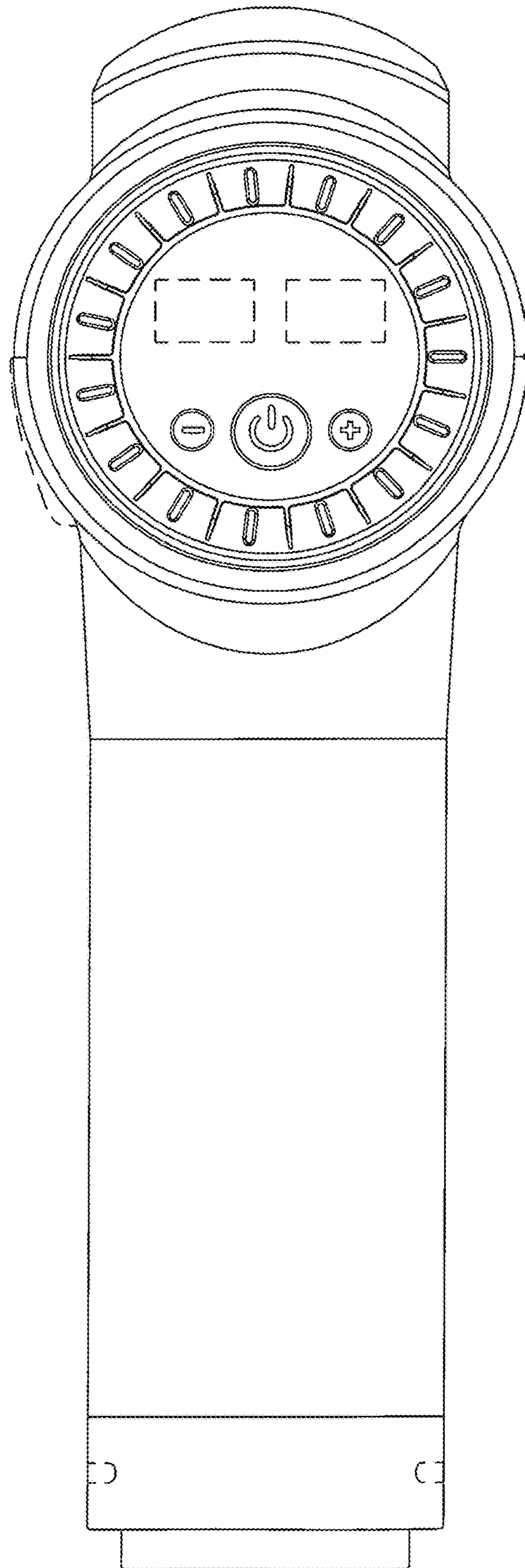


FIG.2

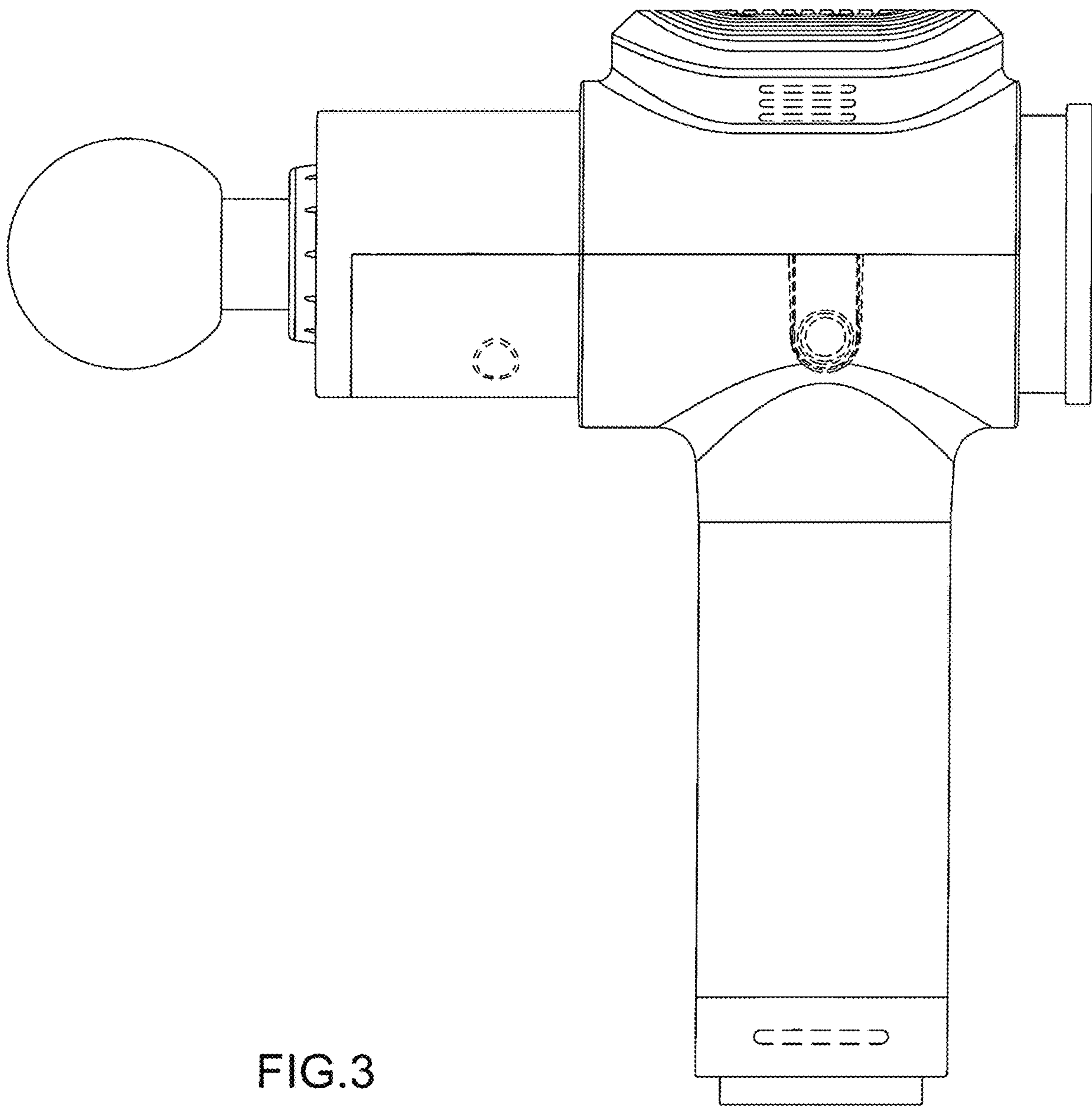


FIG.3

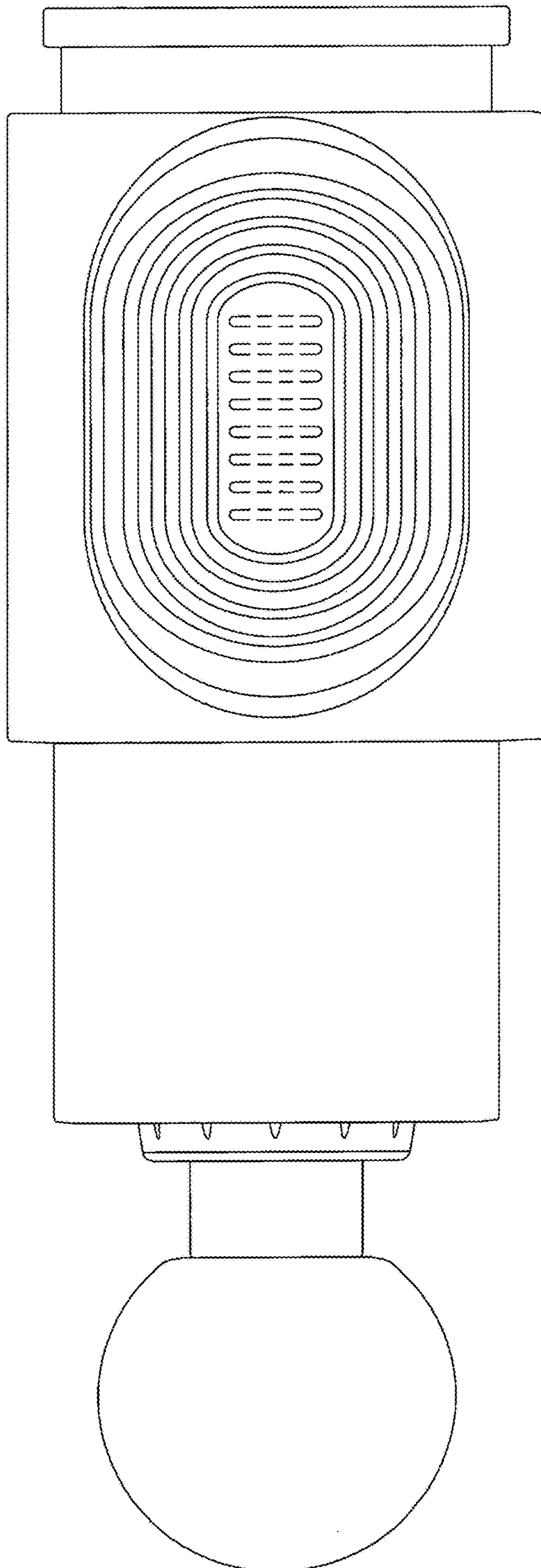


FIG.4