



US00D938054S

(12) **United States Design Patent** (10) **Patent No.:** **US D938,054 S**
Nelson (45) **Date of Patent:** **** Dec. 7, 2021**

(54) **MESSAGE APPARATUS**
(71) Applicant: **Roll Recovery, LLC**, Boulder, CO (US)
(72) Inventor: **Jeremy J. Nelson**, Longmont, CO (US)
(73) Assignee: **Roll Recovery, LLC**, Boulder, CO (US)

D884,204 S * 5/2020 Kramer D24/211
D891,631 S * 7/2020 Liu D24/211
D915,615 S * 4/2021 Chen D24/211
2014/0228722 A1 * 8/2014 Nelson A61H 15/0092
601/125
2016/0296415 A1 * 10/2016 Cross A61H 15/0092
2019/0099323 A1 * 4/2019 Nelson A61H 15/00
2019/0216680 A1 * 7/2019 Lee A61F 7/007
(Continued)

(**) Term: **15 Years**
(21) Appl. No.: **29/714,709**
(22) Filed: **Nov. 25, 2019**
(51) **LOC (13) Cl.** **28-03**
(52) **U.S. Cl.**
USPC **D24/211**
(58) **Field of Classification Search**
USPC D24/200, 211, 212, 213, 214, 215;
D30/160
CPC A61H 15/00; A61H 2015/0014
See application file for complete search history.

OTHER PUBLICATIONS

Youtube, "Introducing the R8 Custom by ROLL Recovery", Feb. 2, 2021. <https://www.youtube.com/watch?v=EnWazQCDD2c>. Shown at the 0:10 second mark. (Year: 2021).*
(Continued)

Primary Examiner — Cynthia Ramirez
Assistant Examiner — Michael A Maharajh
(74) *Attorney, Agent, or Firm* — Craig R. Miles; CR Miles P.C.

(56) **References Cited**

U.S. PATENT DOCUMENTS

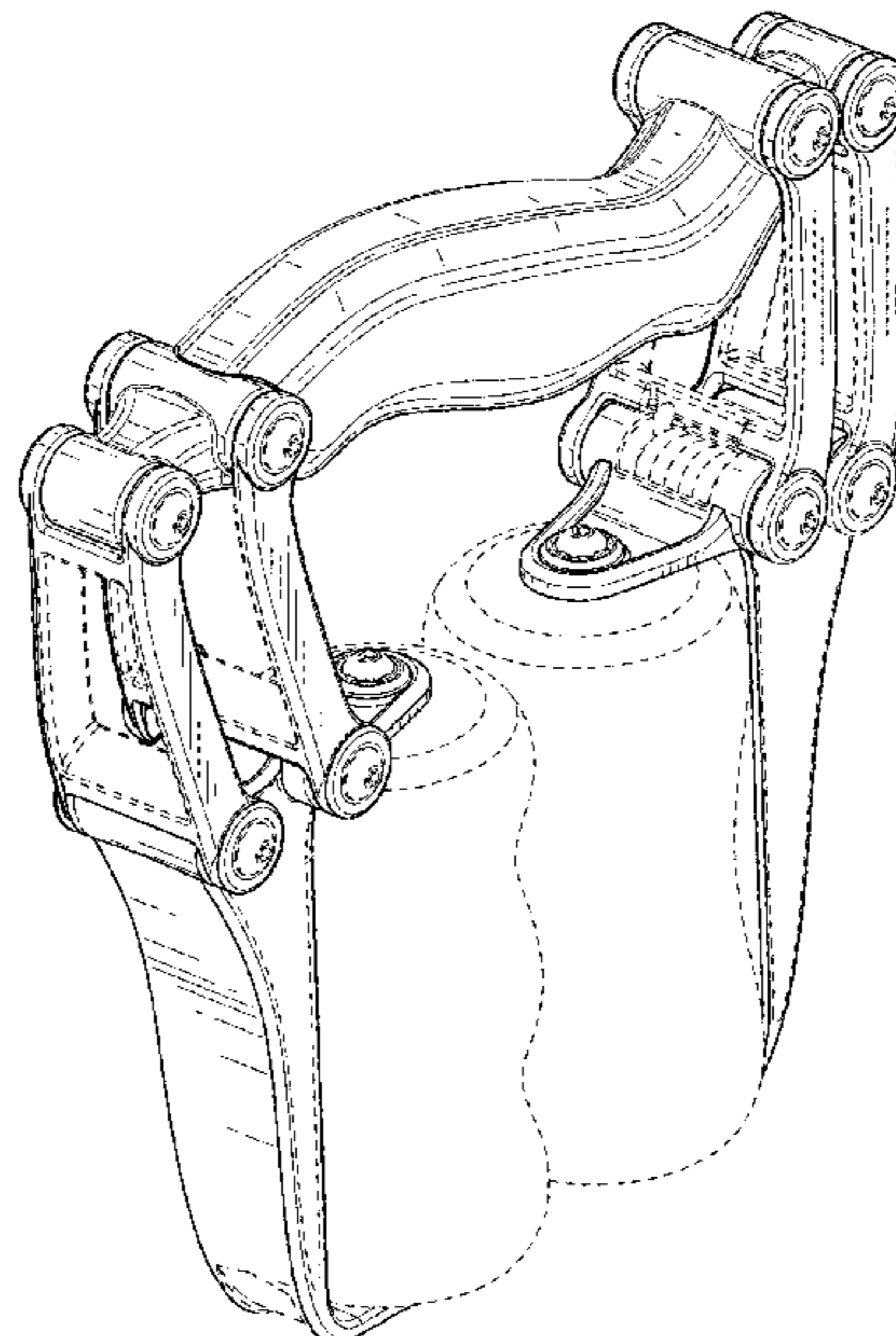
D287,405 S * 12/1986 Nakao D24/211
D293,471 S * 12/1987 Sato D24/211
D308,098 S * 5/1990 Lievonon D24/211
D359,359 S * 6/1995 Robertson D24/211
D359,360 S * 6/1995 Ivy D24/211
D361,133 S * 8/1995 Robertson D24/211
D395,088 S * 6/1998 Wiggs, Sr. D24/211
D452,572 S * 12/2001 Nakamura D24/200
D491,271 S * 6/2004 Siegfried D24/211
D688,380 S * 8/2013 Nelson D24/211
D734,480 S * 7/2015 Jones D24/211
D802,155 S * 11/2017 Cross D24/211
D802,782 S * 11/2017 Cross D24/211
D818,139 S * 5/2018 Marshall D24/211
D833,634 S * 11/2018 Kramer D24/211
D870,907 S * 12/2019 Cheng D24/211
D872,868 S * 1/2020 Razumovskiy D24/211

DESCRIPTION

(57) **CLAIM**
I claim the ornamental design for a massage apparatus, as shown and described.

FIG. 1 is a first perspective view of a massage apparatus, embodying our new design;
FIG. 2 is a second perspective view thereof;
FIG. 3 is a front elevation view thereof;
FIG. 4 is a back elevation view thereof;
FIG. 5 is a side elevation view thereof;
FIG. 6 is a side elevation view thereof;
FIG. 7 is a top view thereof; and,
FIG. 8 is a bottom view thereof.
The broken lines shown are included for the purpose of illustrating the unclaimed portions of the article and form no part of the claim.

1 Claim, 6 Drawing Sheets



(56)

References Cited

U.S. PATENT DOCUMENTS

2019/0274915 A1* 9/2019 Cross A61H 15/0092
2020/0246214 A1* 8/2020 Nelson A61H 15/00
2020/0390642 A1* 12/2020 Kim A61H 1/00

OTHER PUBLICATIONS

Rollrecovery, "R8 Custom", Feb. 23, 2021. <https://rollrecovery.com/product/r8custom/>. Shown on p. 1. (Year: 2021).*

* cited by examiner

FIG. 1

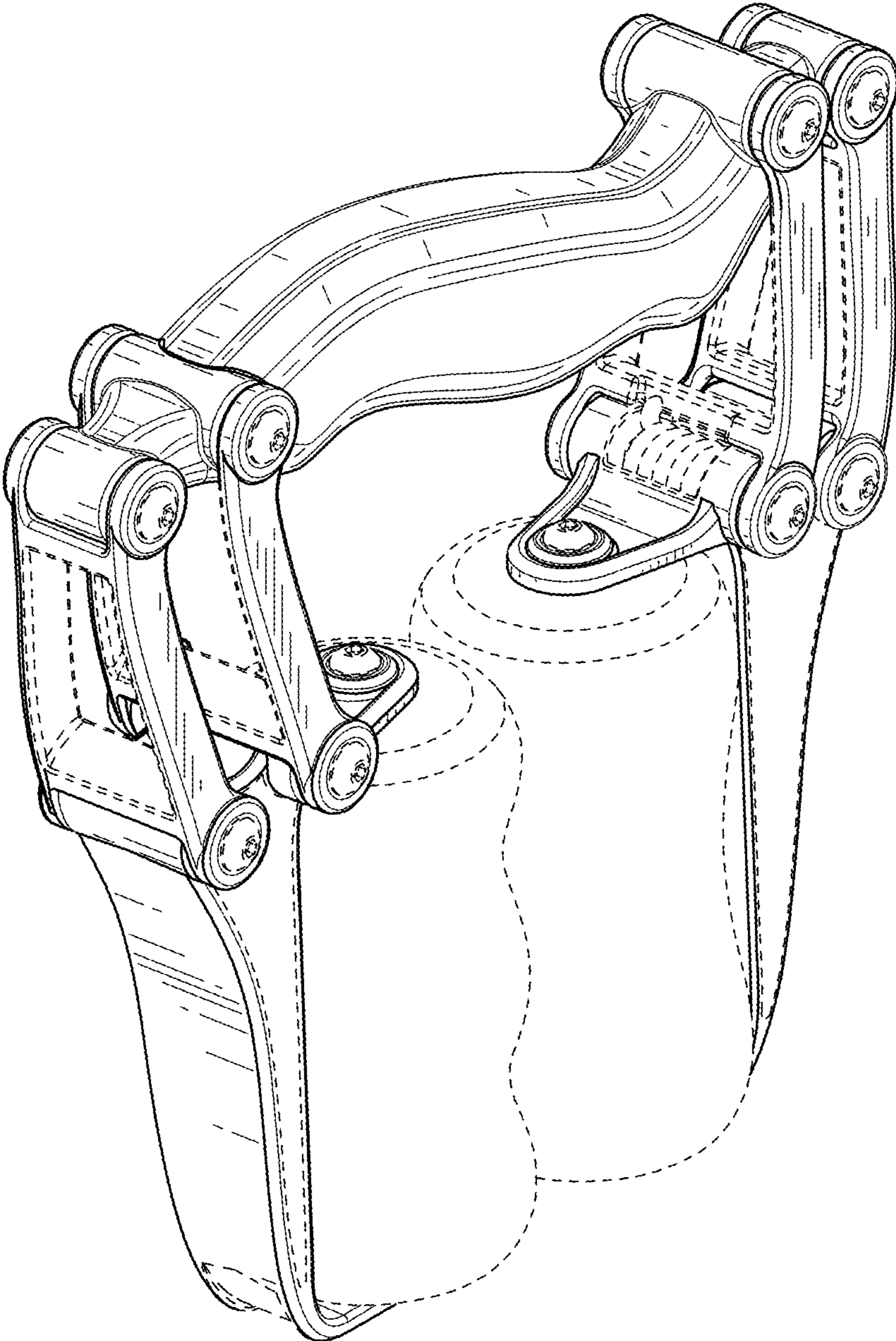


FIG. 2

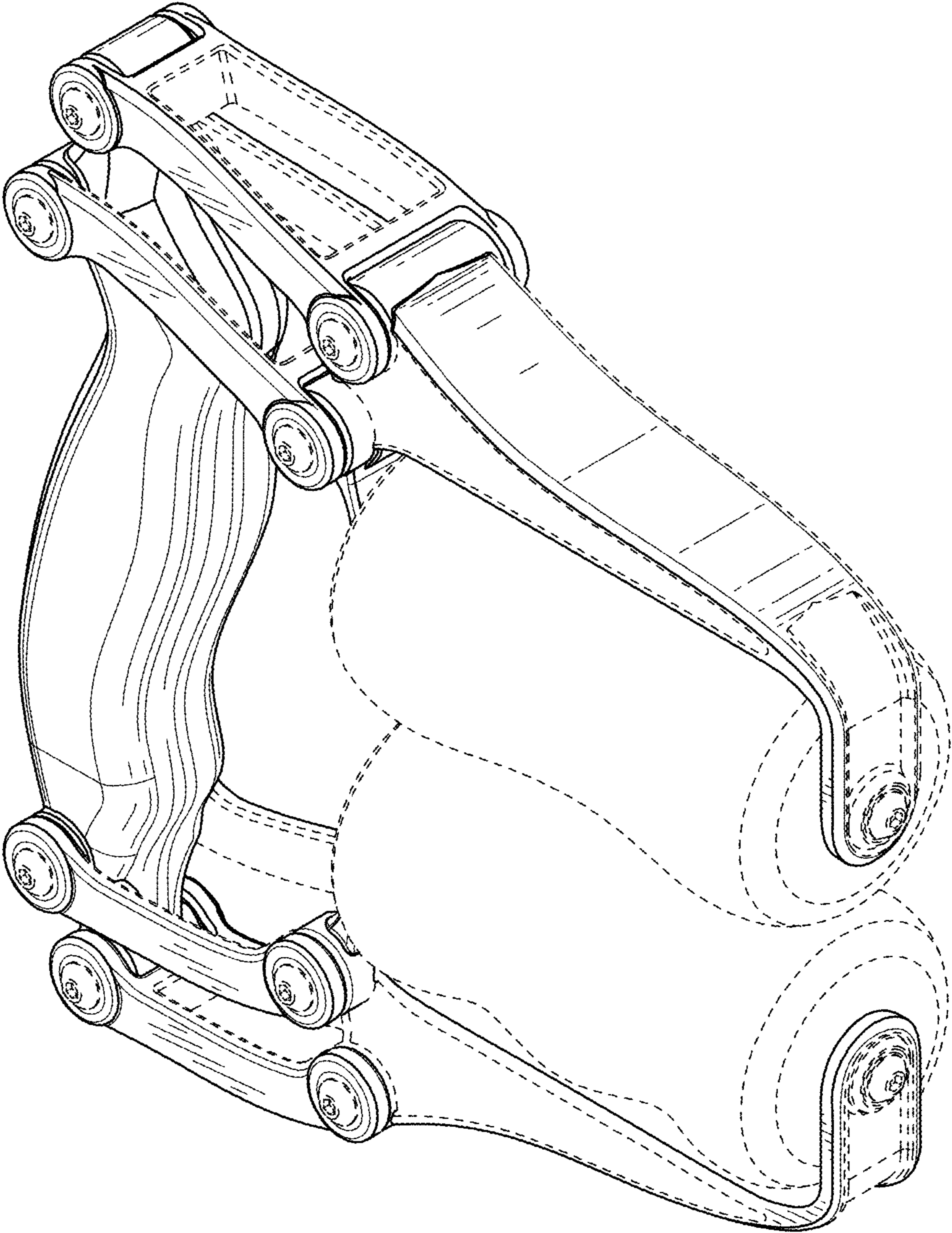


FIG. 3

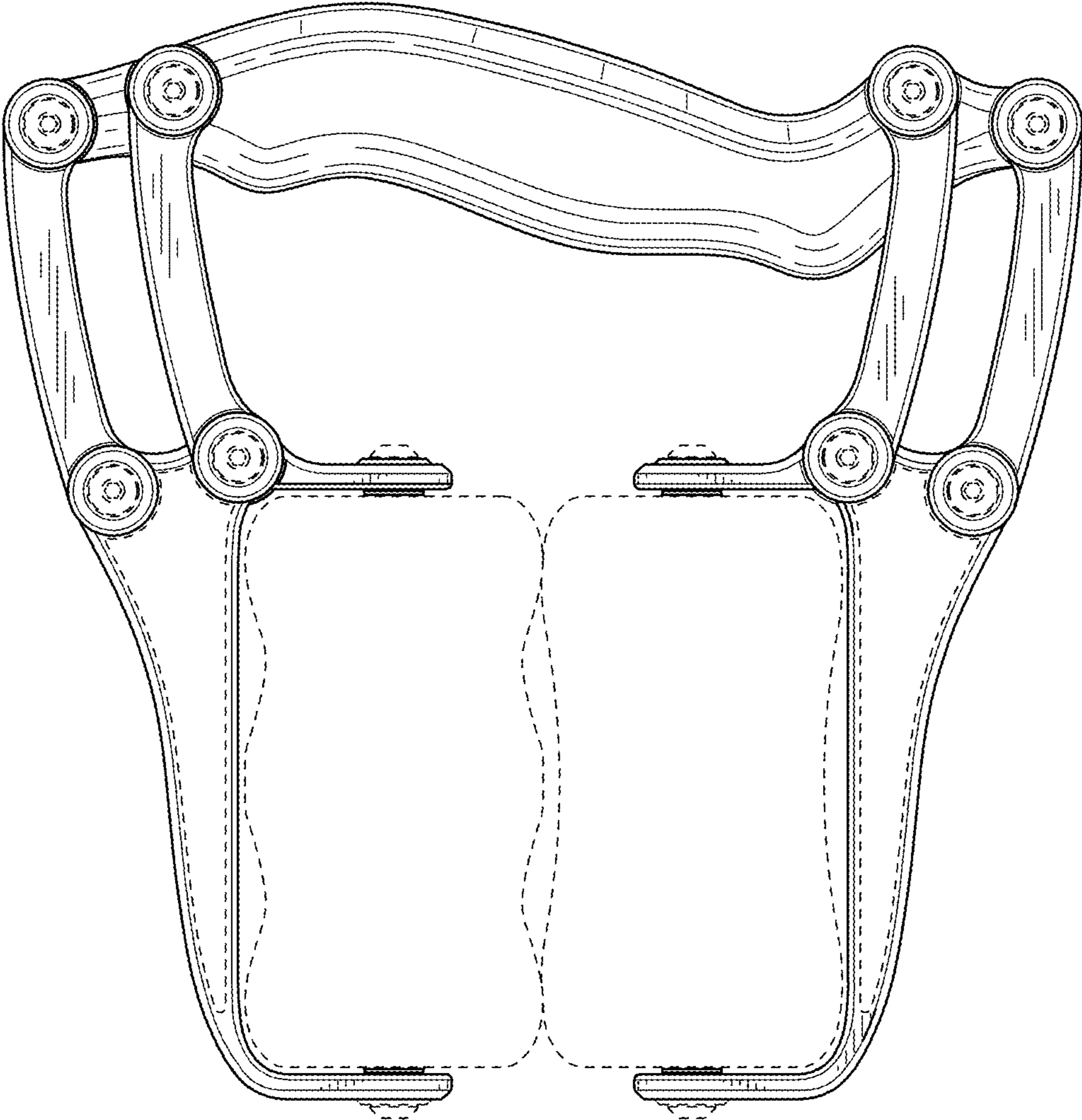


FIG. 4

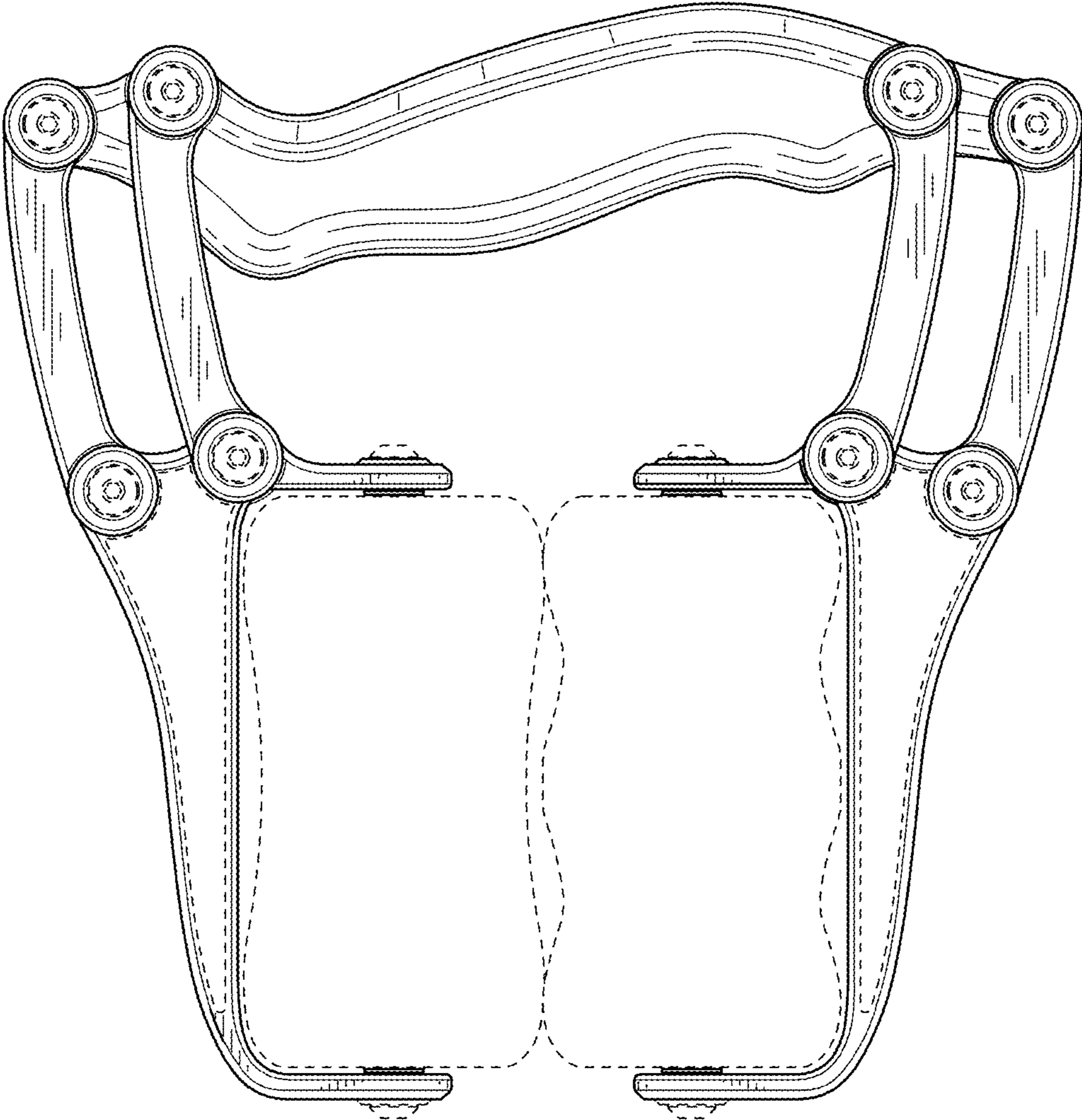


FIG. 5

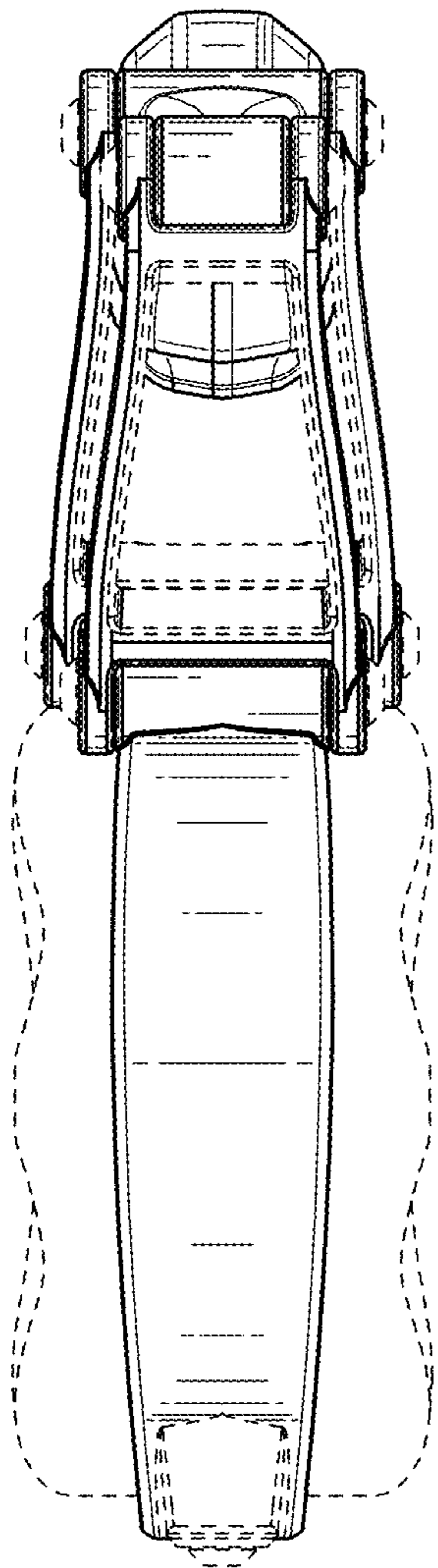


FIG. 6

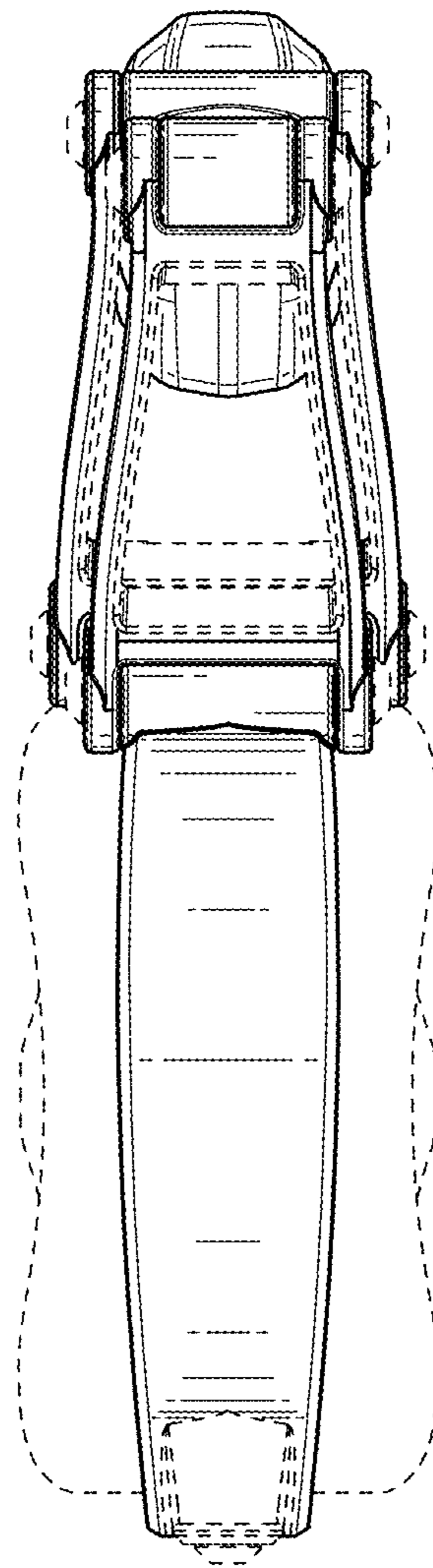


FIG. 7

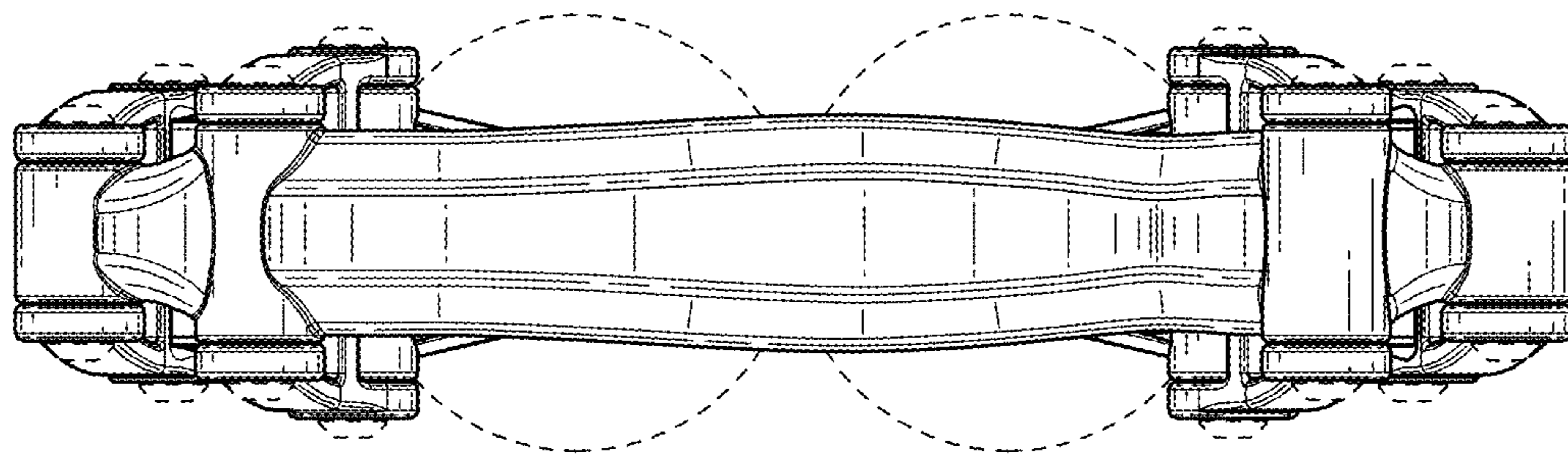


FIG. 8

