



US00D938052S

(12) **United States Design Patent** (10) **Patent No.:** **US D938,052 S**
Lowsky et al. (45) **Date of Patent:** **** Dec. 7, 2021**

(54) **ORAL-MOTOR CHEW TOOL**
(71) Applicant: **ARK Therapeutic Services, Inc.**,
Columbia, SC (US)
(72) Inventors: **Rebecca E. Lowsky**, Columbia, SC
(US); **Evan D. Lowsky**, Columbia, SC
(US)
(73) Assignee: **ARK Therapeutic Services, Inc.**,
Columbia, SC (US)

D687,954 S 8/2013 Dallman
D704,847 S 5/2014 Huang
D708,818 S 7/2014 Axelrod et al.
D713,873 S * 9/2014 Riddle D19/59
D721,439 S * 1/2015 Swartz D24/194
D722,384 S * 2/2015 Kuneyl D24/194
D724,235 S * 3/2015 Kuneyl D24/194
D746,018 S * 12/2015 Axelrod D1/199
D768,303 S 10/2016 Pauschitz
D853,055 S * 7/2019 Cox D30/160
D872,807 S 1/2020 Lowsky et al.
D885,595 S 5/2020 Luntz et al.

(Continued)

(**) Term: **15 Years**

OTHER PUBLICATIONS

(21) Appl. No.: **29/715,488**
(22) Filed: **Dec. 2, 2019**
(51) **LOC (13) Cl.** **24-04**
(52) **U.S. Cl.**
USPC **D24/194**
(58) **Field of Classification Search**
USPC D24/193, 194, 195, 208, 214; D30/160;
D1/106, 107, 110, 115, 125; D21/483,
D21/496, 532, 576, 603, 615, 622, 650
CPC A61J 17/02; A61J 17/111; A61J 2200/44
See application file for complete search history.

“Chewy Tubes: Knobby Texture Chewy Tube”. Found online Nov. 17, 2016 at amazon.com. Reference dated Oct. 18, 2008. Retrieved from https://www.amazon.com/Knobby-Texture-Chewy-Tube-Green/dp/B00175ROGU/ref=cm_cr_ar_p_d_product_top?ie=UTF8.*

(Continued)

Primary Examiner — Kendra Leslie Hamilton
(74) *Attorney, Agent, or Firm* — Nelson Mullins Riley & Scarborough LLP

(57) **CLAIM**

The ornamental design for an oral-motor chew tool, substantially as shown and described.

DESCRIPTION

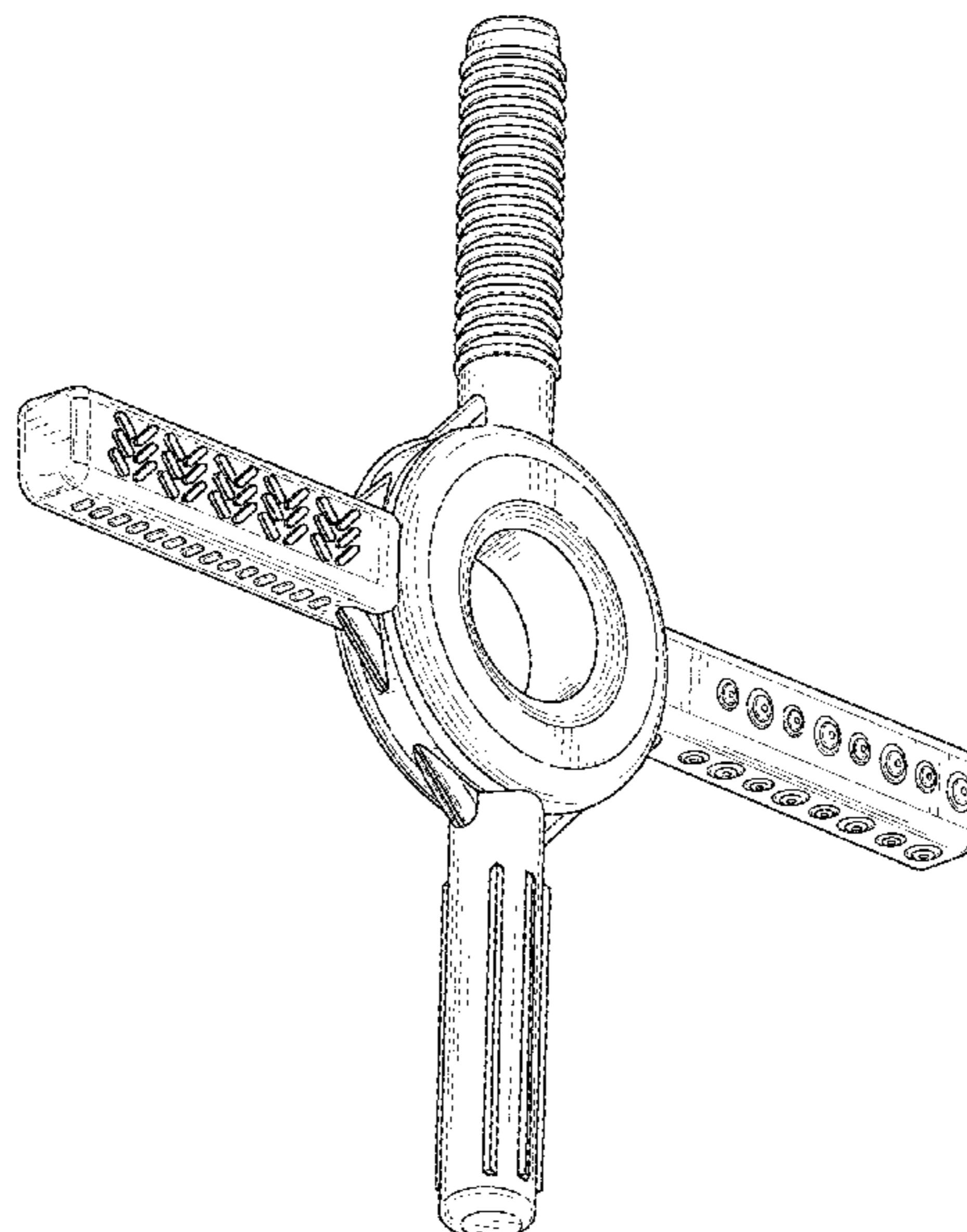
FIG. 1 is a top perspective view of an oral motor chew tool, showing our new design;
FIG. 2 is a bottom perspective view thereof;
FIG. 3 is a top plan view thereof;
FIG. 4 is a bottom plan view thereof;
FIG. 5 is a right side elevation view thereof;
FIG. 6 is a left side elevation view thereof;
FIG. 7 is a front elevation view thereof; and,
FIG. 8 is a back elevation view thereof.

1 Claim, 8 Drawing Sheets

(56) **References Cited**

U.S. PATENT DOCUMENTS

D358,111 S * 5/1995 Gregory D10/113.2
5,551,952 A * 9/1996 Falgout A61J 17/02
601/139
5,782,868 A 7/1998 Moore, Jr. et al.
D417,319 S * 11/1999 Weiss, Jr. D30/160
D522,658 S 6/2006 Schiavoni
D539,430 S 3/2007 Lowsky et al.
D549,427 S 8/2007 Gambino et al.
D552,745 S 10/2007 Beckman
8,021,391 B2 9/2011 Minoghuchi et al.
D673,284 S * 12/2012 Lowsky D24/214
D674,494 S * 1/2013 Roehrig D24/194



(56)

References Cited

U.S. PATENT DOCUMENTS

2006/0102099 A1* 5/2006 Edwards A01K 15/026
119/710
2012/0290007 A1 11/2012 Rohrig
2014/0243895 A1* 8/2014 Kellogg A63H 33/006
606/235
2019/0059328 A1 2/2019 Crane

OTHER PUBLICATIONS

“Bumkins: Sensory Teether”. Found online Mar. 12, 2020 at amazon.co.uk. Reference dated Nov. 7, 2018. Retrieved from https://www.amazon.co.uk/Bumkins-Silicone-Sensory-Teether-Blue/dp/B07K975P3W/ref=sr_1_10?keywords=bumkins&qid=1584056771&sr=8-10.*

“Canay: Hollow Teething Tubes”. Found online Apr. 22, 2021 at amazon.com. Reference dated Jul. 16, 2020. Retrieved from https://www.amazon.com/Hollow-Teething-Tubes-6-8-Long/dp/B08BTV729G/ref=cm_cr_arp_d_product_top?.*

“Jellystone: Rainbow Stacker Teething Rings”. Found online Jul. 3, 2019 at zephyrhillblog.com. Reference dated Jan. 22, 2016. Retrieved from www.zephyrhillblog.com/2016/01/a-teething-toy-that-will-actually-entertain-your-baby/.*

Instagram post by arktherapeutic, published at <https://www.instagram.com/p/B458l08gr6e/> on Nov. 15, 2019, all enclosed pages cited.

Instagram post by arktherapeutic, published at <https://www.instagram.com/p/B5Bx3R2JtVR/> on Nov. 18, 2019, all enclosed pages cited.

* cited by examiner

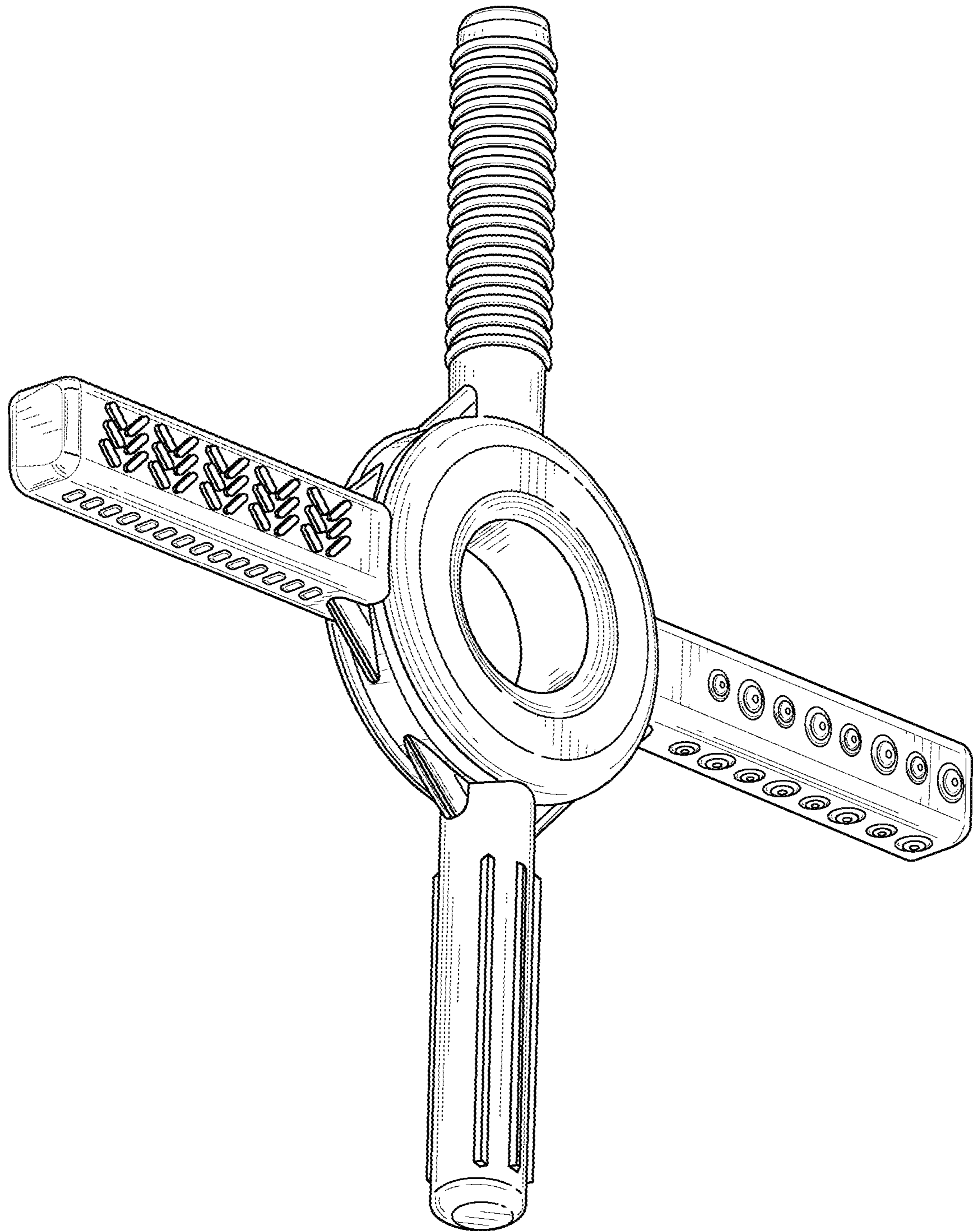


FIG. 1

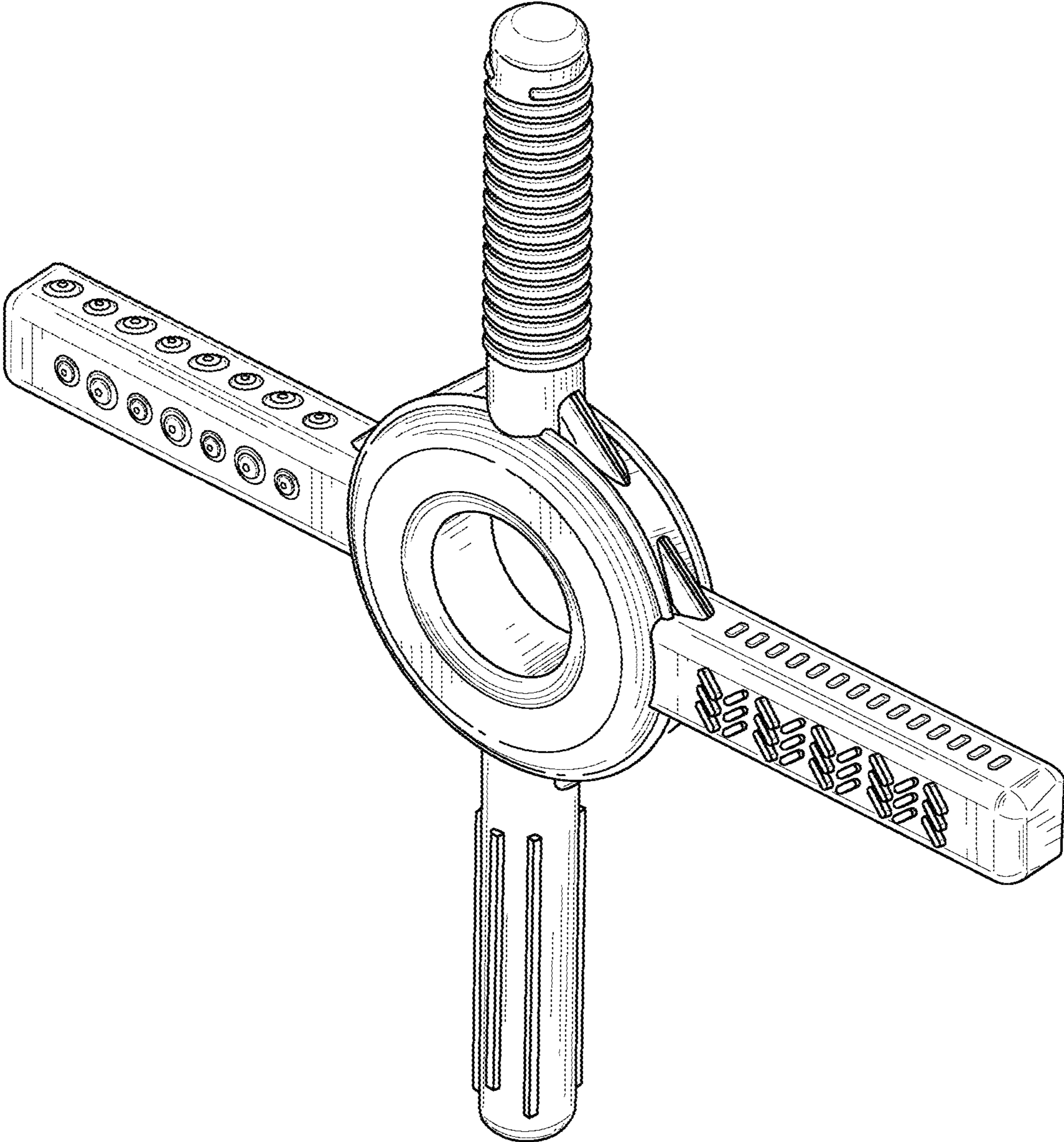


FIG. 2

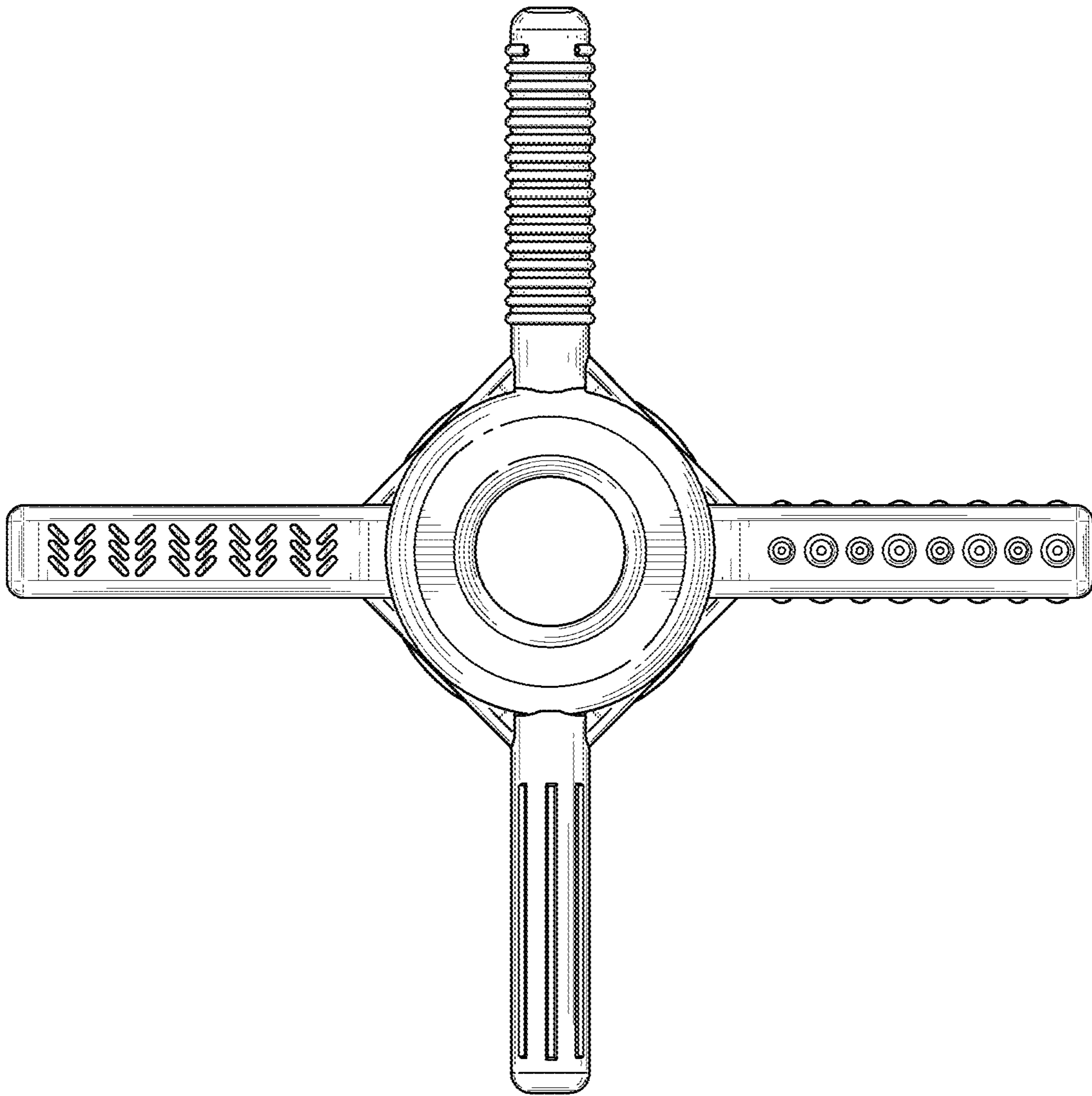


FIG. 3

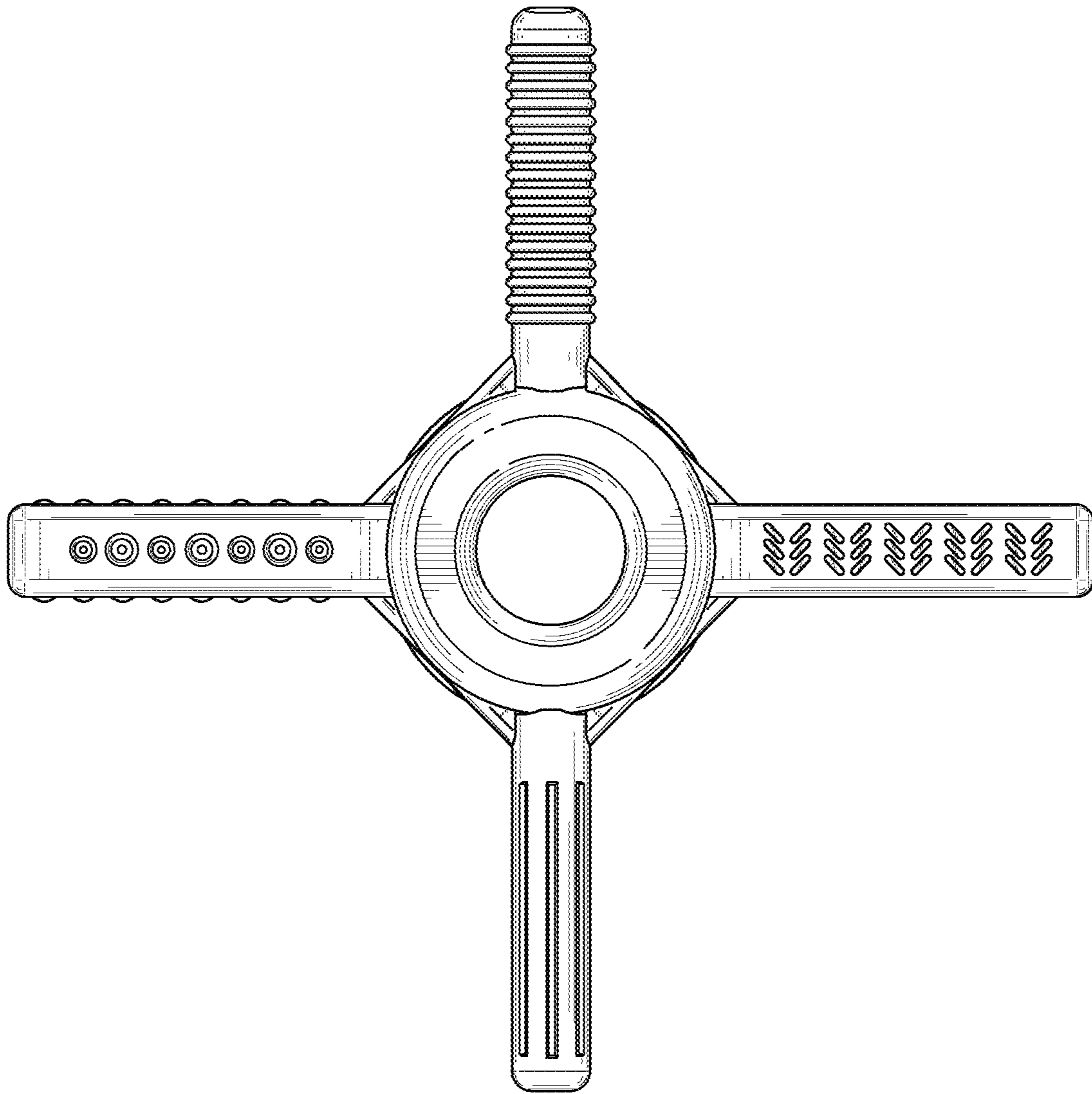


FIG. 4

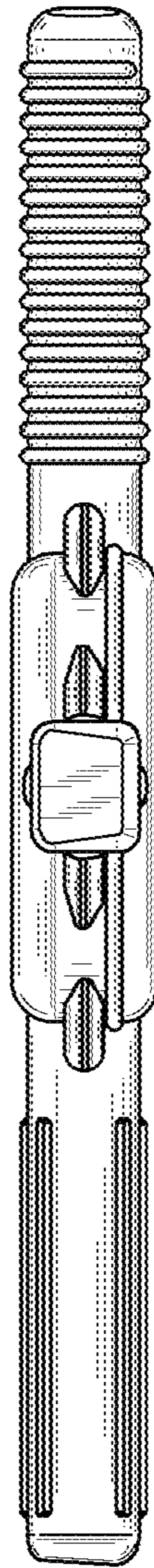


FIG. 5

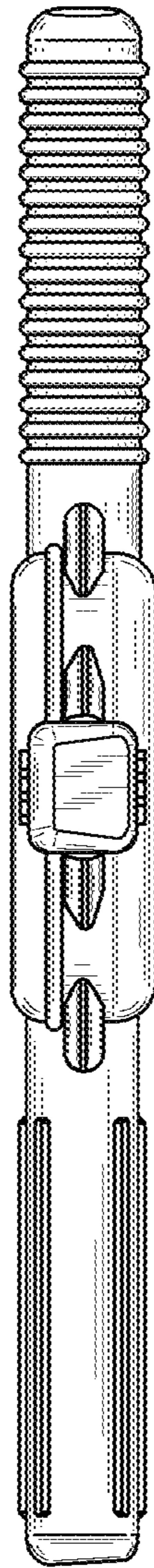


FIG. 6

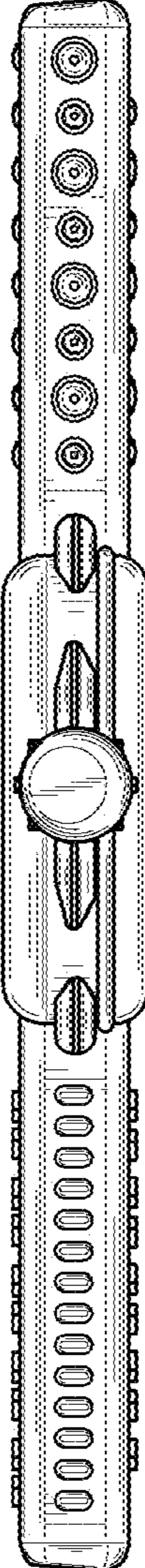


FIG. 7

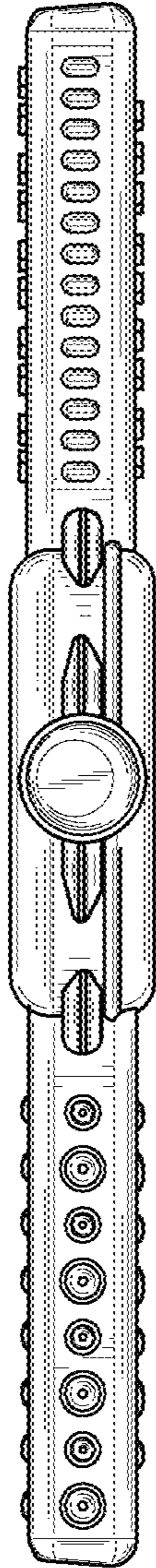


FIG. 8