



US00D938049S

(12) **United States Design Patent** (10) **Patent No.:** **US D938,049 S**  
**Ang** (45) **Date of Patent:** **\*\* Dec. 7, 2021**

(54) **WRIST BRACE**

(71) Applicant: **ilovegoodie@bag pte ltd**, Singapore (SG)

(72) Inventor: **Alvin Ang**, Singapore (SG)

(\*\*) Term: **15 Years**

(21) Appl. No.: **29/723,482**

(22) Filed: **Feb. 7, 2020**

(51) **LOC (13) Cl.** ..... **24-02**

(52) **U.S. Cl.**

USPC ..... **D24/190**; D29/120.1

(58) **Field of Classification Search**

USPC ..... D24/188–190; D29/120.1

CPC ..... A61F 5/0118; A61F 5/05866

See application file for complete search history.

(56) **References Cited**

**U.S. PATENT DOCUMENTS**

D242,172 S *	11/1976	Borenstein .....	D24/190
5,868,692 A *	2/1999	Michniewicz .....	A61F 5/0118 602/21
6,024,715 A *	2/2000	Maxwell .....	A61F 5/0118 602/21
D456,081 S *	4/2002	Bell .....	D24/190
D477,409 S *	7/2003	Mills .....	D24/190
D626,242 S *	10/2010	Sagnip .....	D24/190
D665,539 S *	8/2012	Manalo .....	D29/120.1
2004/0143205 A1 *	7/2004	Ressel .....	A61F 5/0118 602/21
2005/0197609 A1 *	9/2005	Mills .....	A61F 5/0118 602/21
2011/0283432 A1 *	11/2011	Best .....	A41D 13/088 2/16
2014/0039372 A1 *	2/2014	Blue .....	A61F 5/0118 602/21

2015/0374528 A1 *	12/2015	Mueller .....	A61F 5/0118 602/21
2017/0014257 A1 *	1/2017	Wellendorf .....	A61F 5/0104
2018/0055672 A1 *	3/2018	Erwin .....	A61F 5/0118

**OTHER PUBLICATIONS**

Wrist Brace for Carpal Tunnel Relief Reversible Hand or Wrist Splint (Fits L or Right Hands), Armstrong Amerika, [Post date unknown], [Site visited Aug. 5, 2021], Seen at URL: <https://www.armstrongamerika.com/products/wrist-brace-for-carpal-tunnel-relief-reversible-hand-or-wrist-splint> (Year: 2021).\*

(Continued)

*Primary Examiner* — Natasha Vujcic

*Assistant Examiner* — Gilbert B Ford

(74) *Attorney, Agent, or Firm* — Matthew M. Googe; Robinson IP Law, PLLC

(57) **CLAIM**

I claim, the ornamental design for a wrist brace, as shown and described.

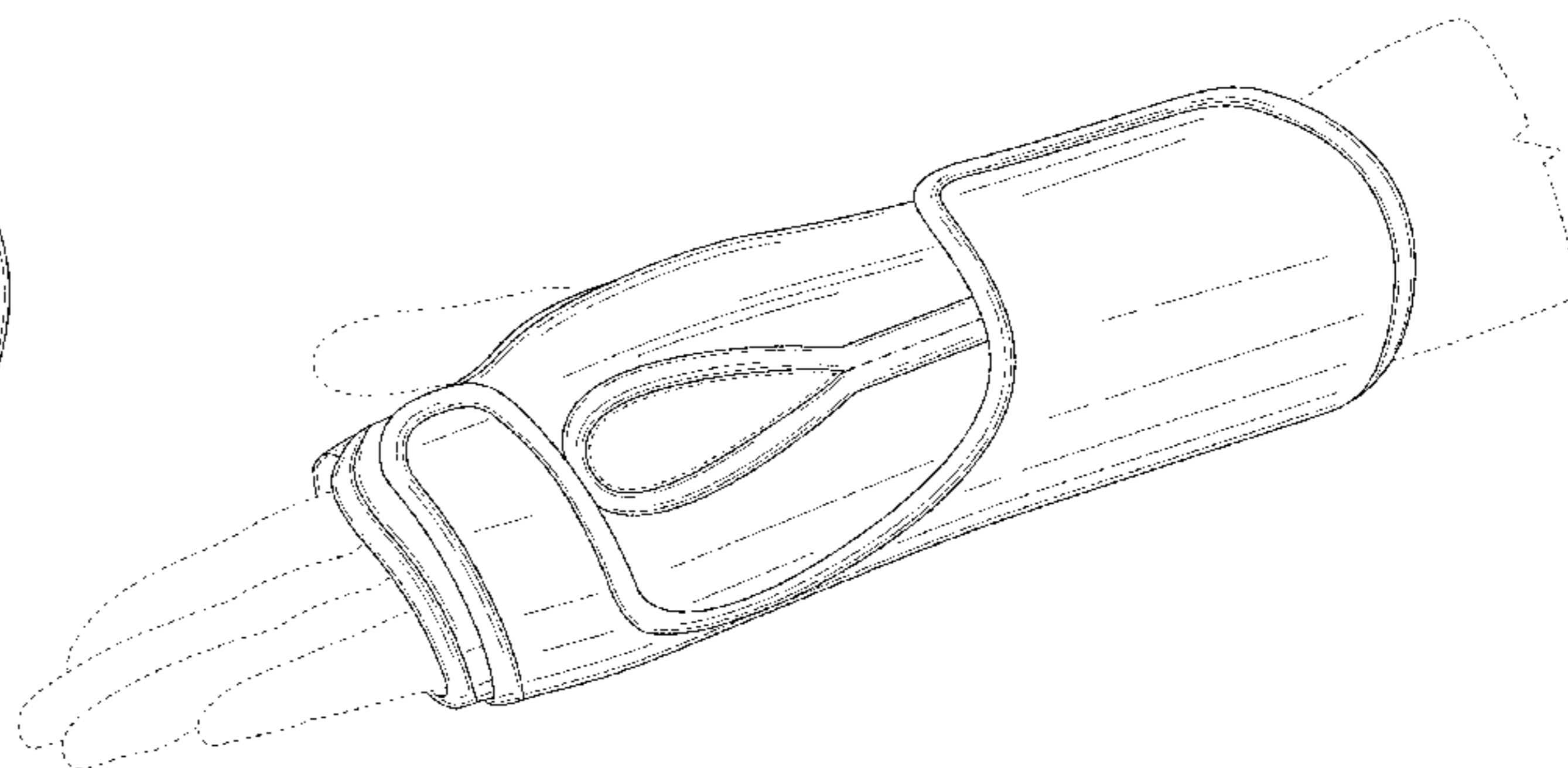
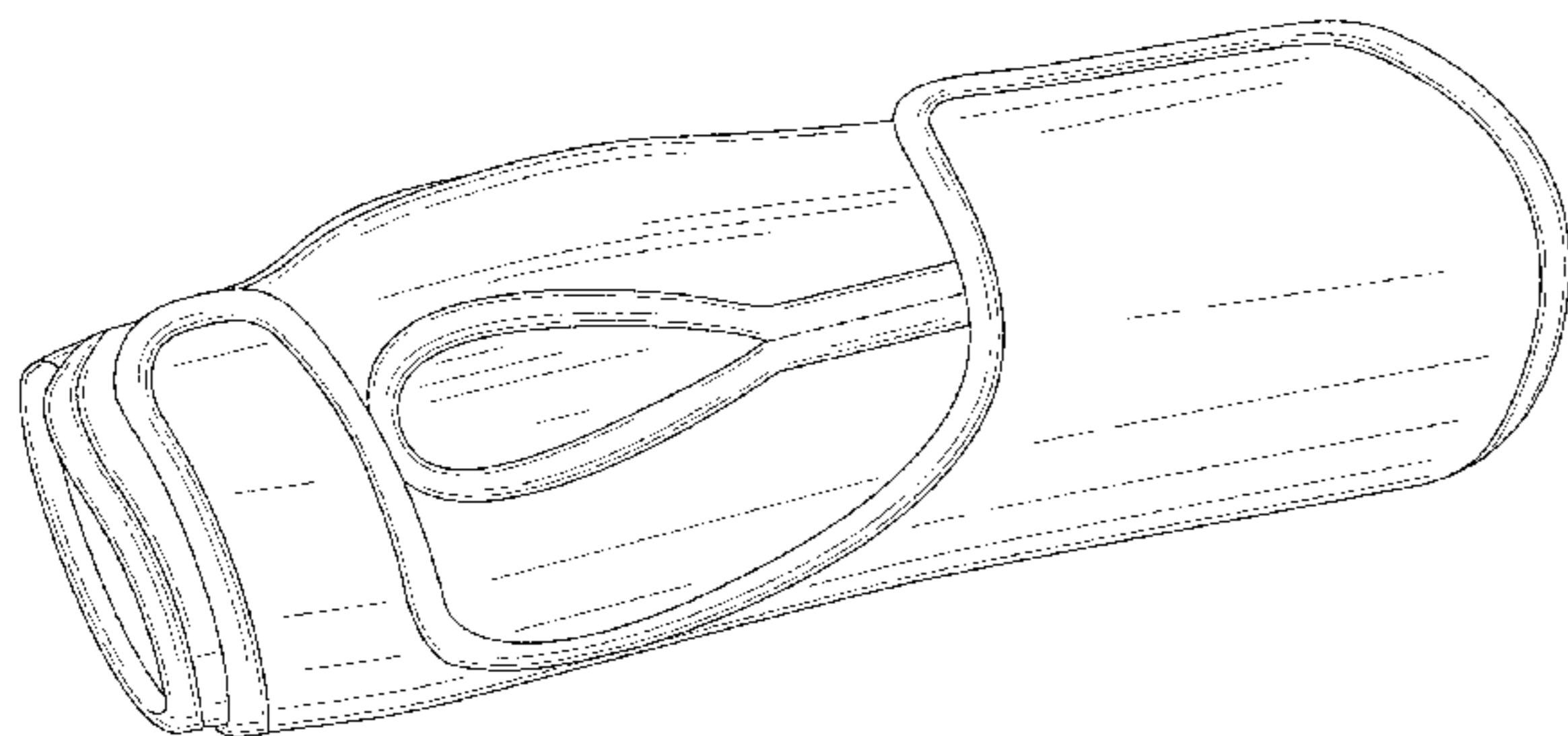
**DESCRIPTION**

FIG. 1 is a bottom perspective view of the wrist brace; FIG. 2 is a bottom elevational view thereof; FIG. 3 is a top elevational view thereof; FIG. 4 is a first side elevational view thereof; FIG. 5 is a second side elevational view thereof; FIG. 6 is a front plan view thereof; FIG. 7 is a back plan view thereof; FIG. 8 is a bottom perspective view thereof when worn; and, FIG. 9 is a top elevational view thereof when unfolded.

The thin solid lines in the views have been provided for the purpose of illustrating the uniformity of the planar surfaces and the contour of the surfaces and are not a claimed surface pattern.

The broken lines in the drawings illustrate the environment of the wrist brace which forms no part of the claimed design.

**1 Claim, 8 Drawing Sheets**



(56)

**References Cited**

OTHER PUBLICATIONS

Mueller Wrist Brace with Splint, Sold at Sportinggoods.com, [originally posted Jan. 29, 2020], [Site visited Aug. 5, 2021], Seen at URL: <https://www.big5sportinggoods.com/store/details/mueller-wrist-brace-with-splint/2350105350300> (Year: 2020).\*

OTC Reversible Hand Neoprene Wraparound Wrist Support, Blue, Amazon.com, [Originally posted Nov. 26, 2012], [Site visited Aug. 5, 2021], Seen at the URL: <https://www.amazon.com/OTC-Reversible-Neoprene-Wraparound-Support/dp/B0002GWMNK> (Year: 2012).\*

\* cited by examiner

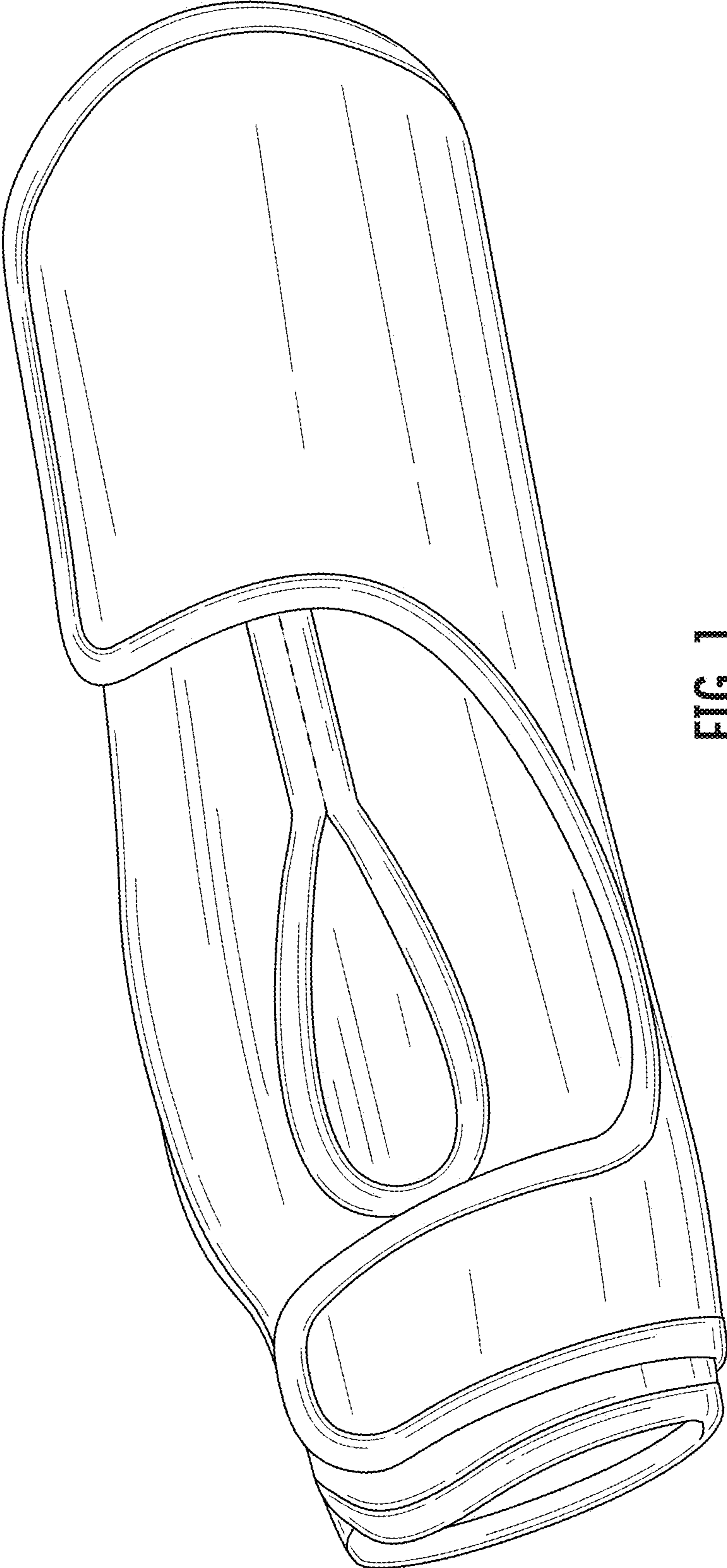


FIG. 1

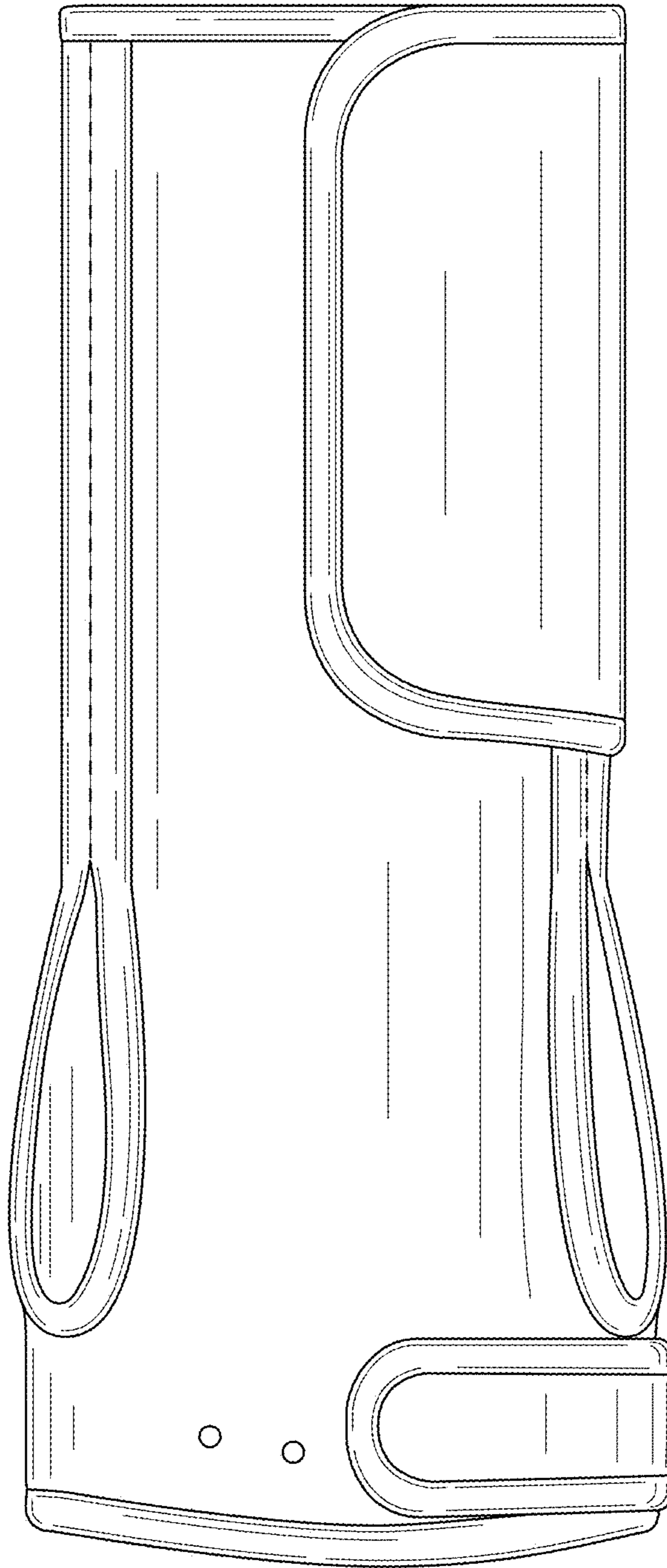


FIG. 2

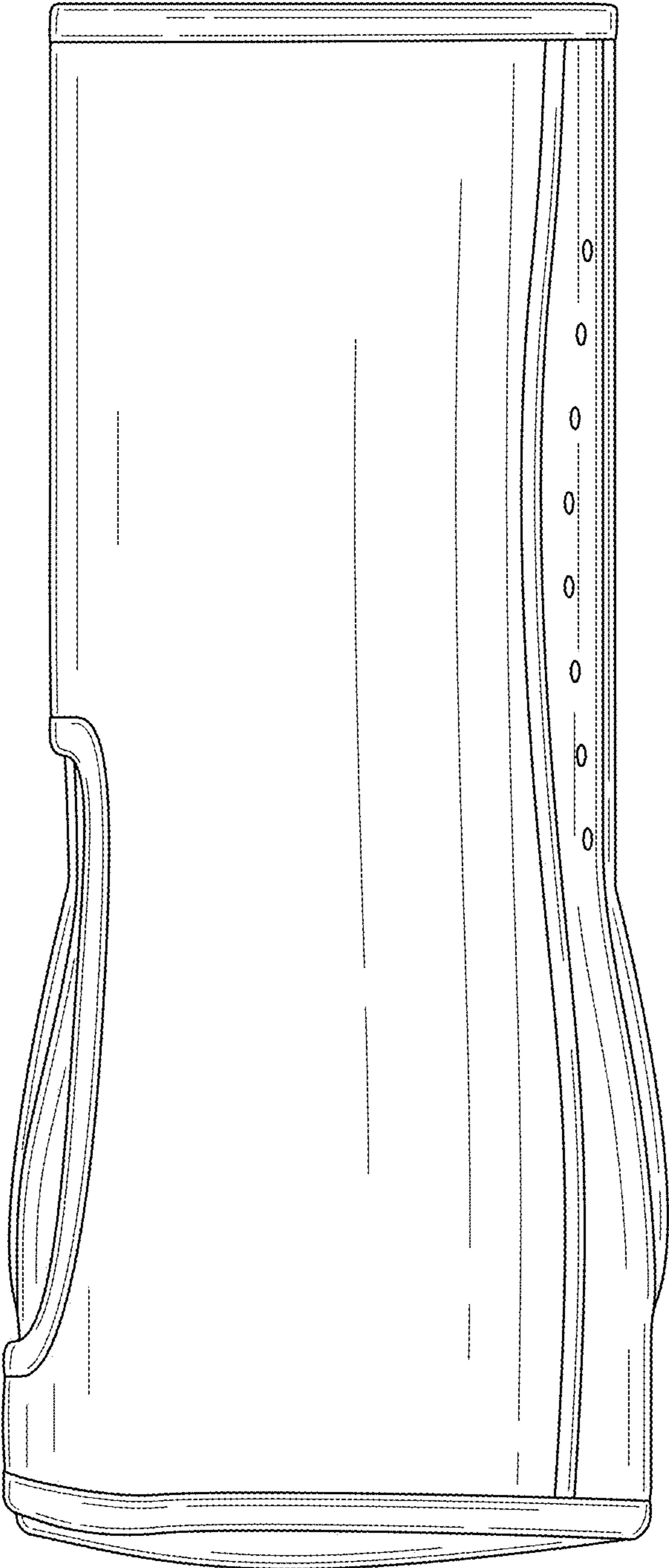


FIG. 3

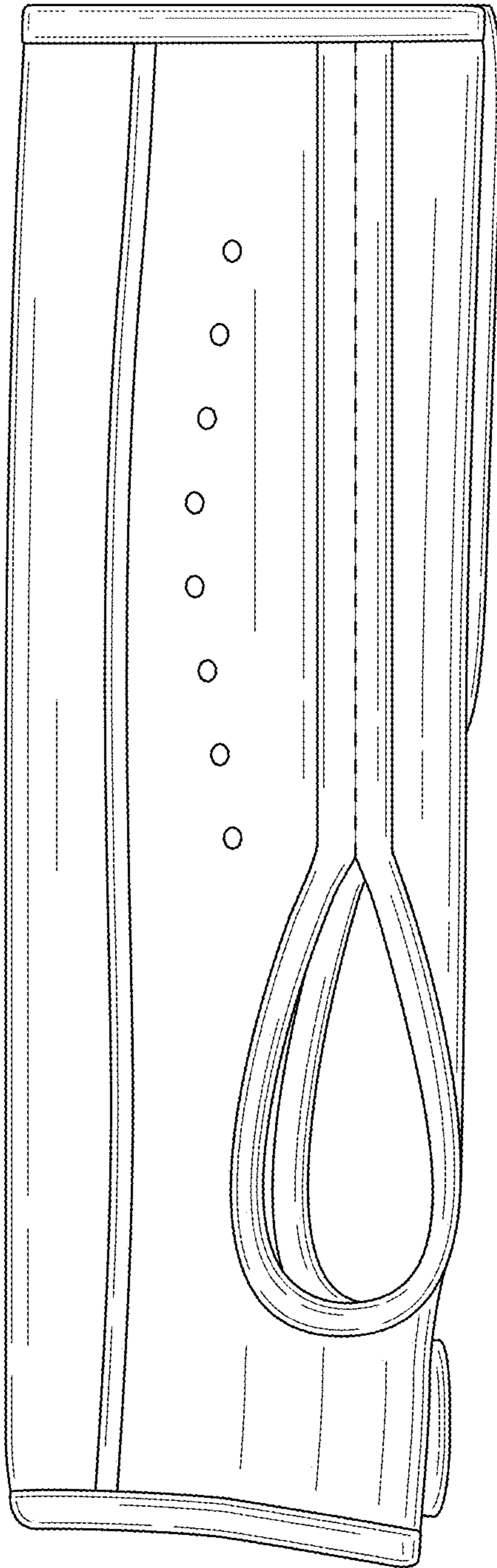


FIG. 4

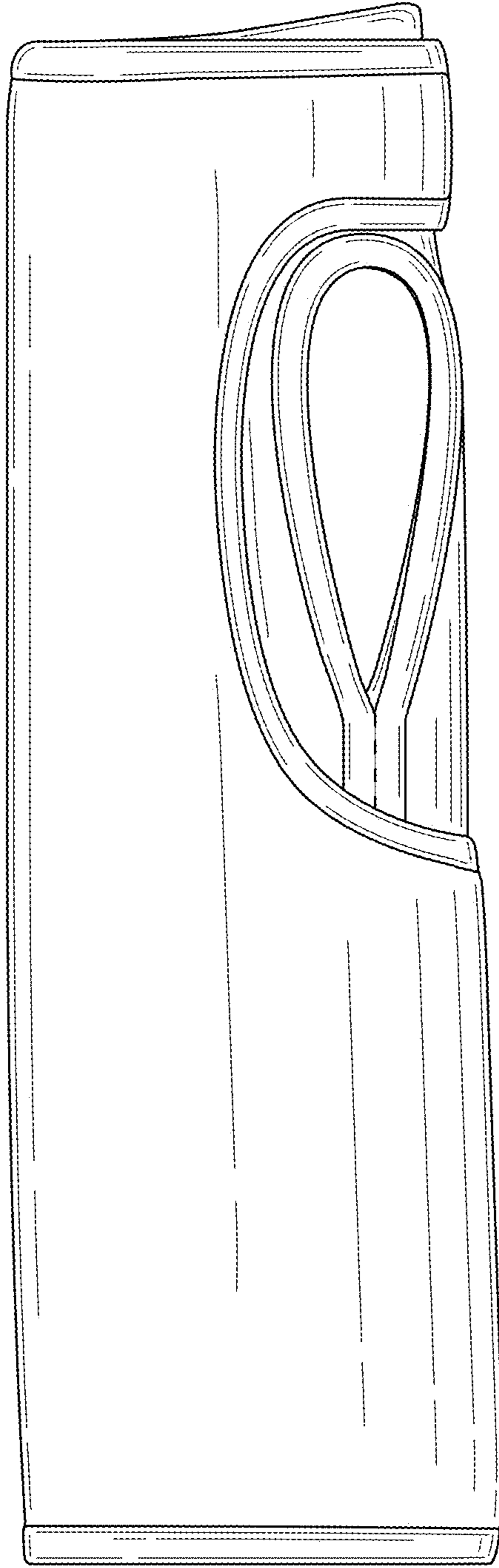


FIG. 5

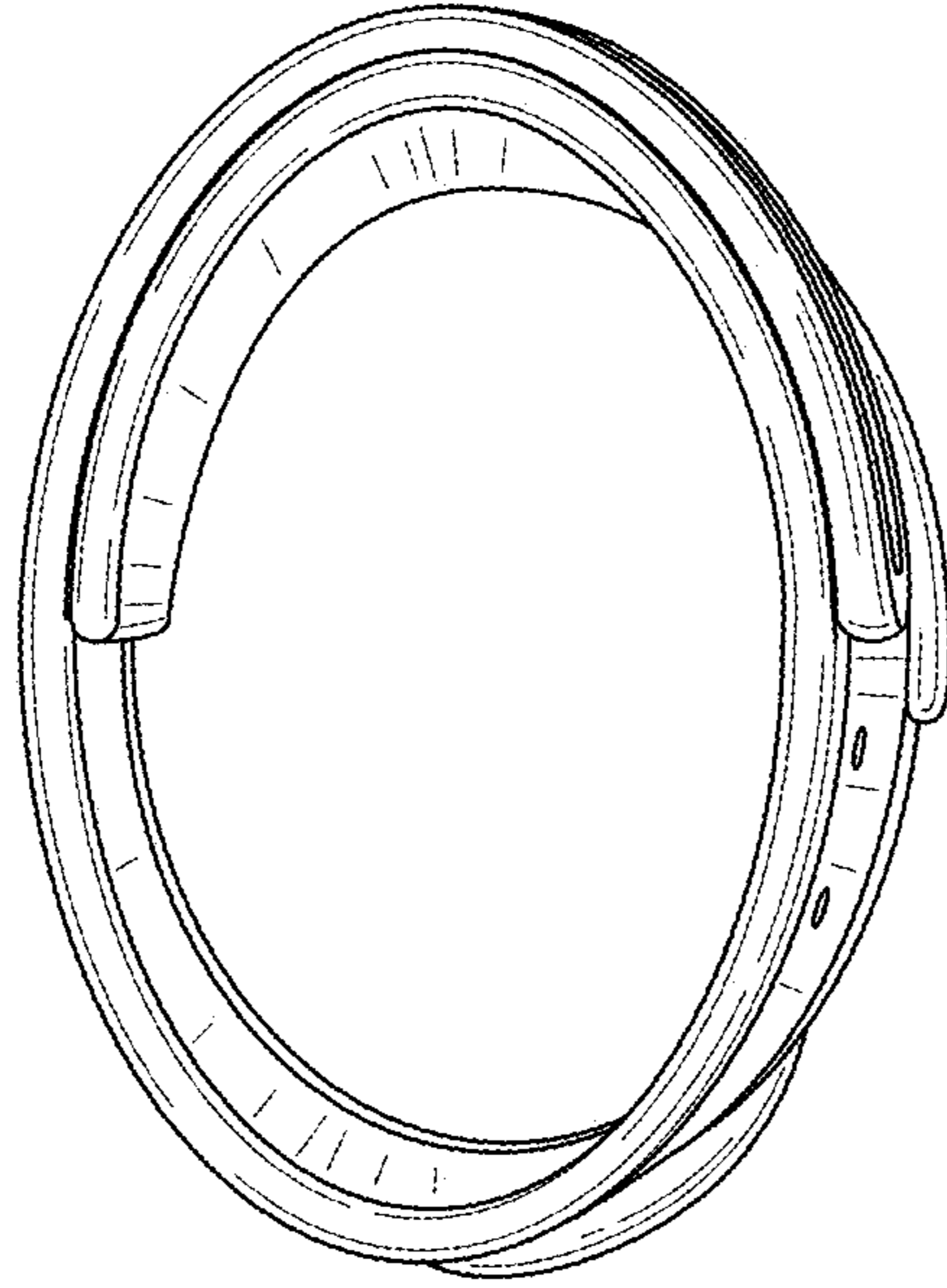


FIG. 6

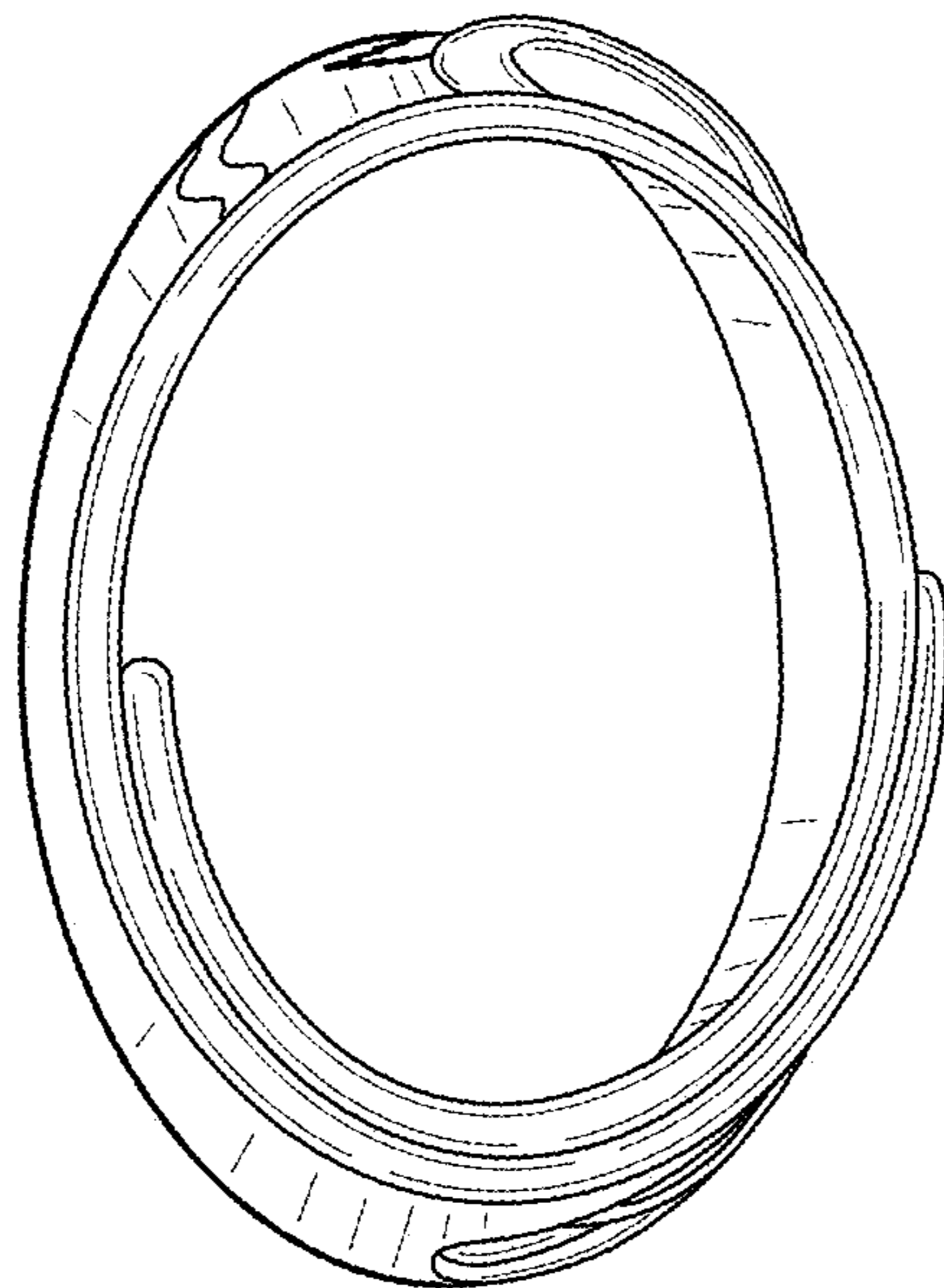


FIG. 7



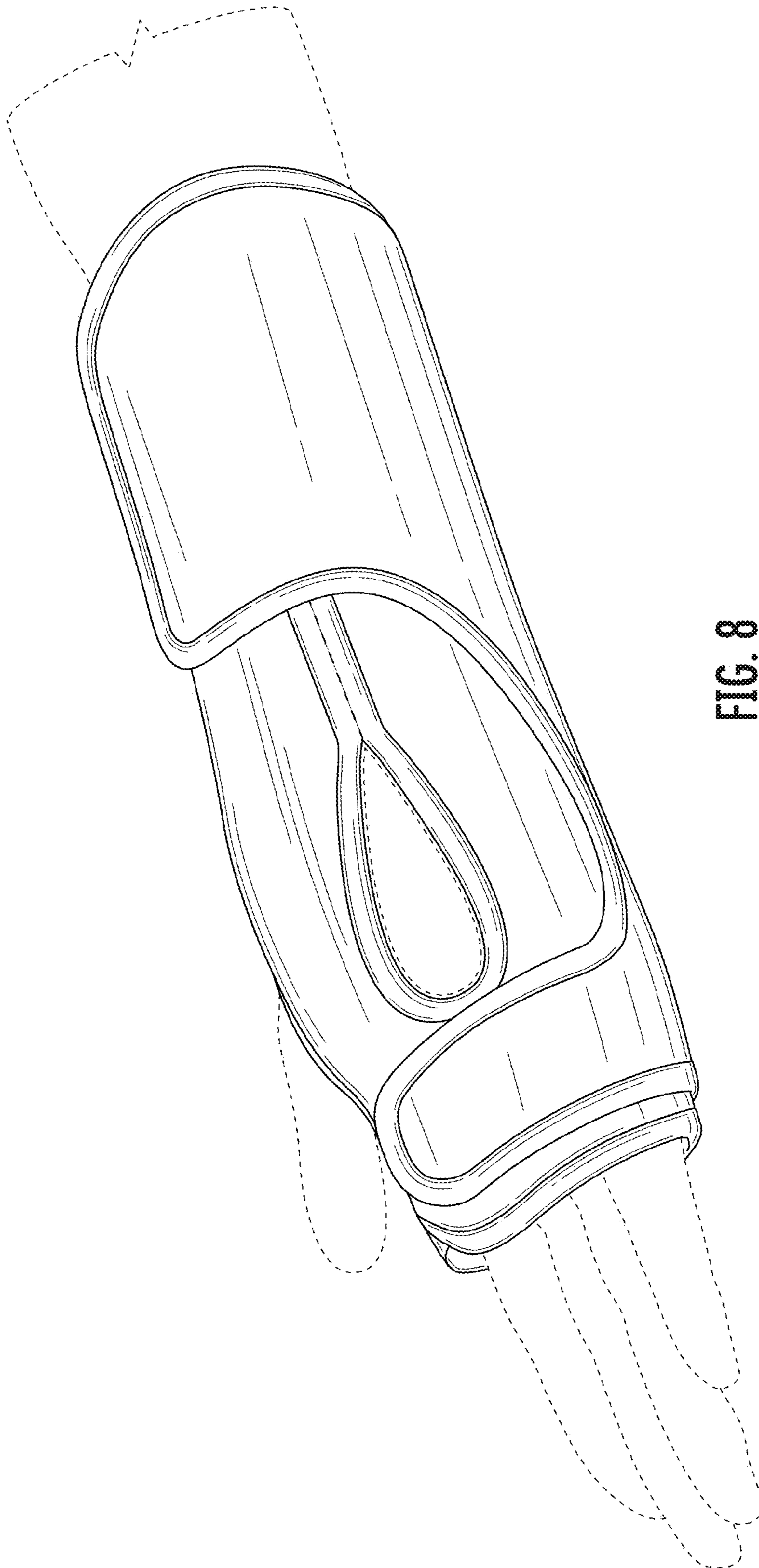


FIG. 8

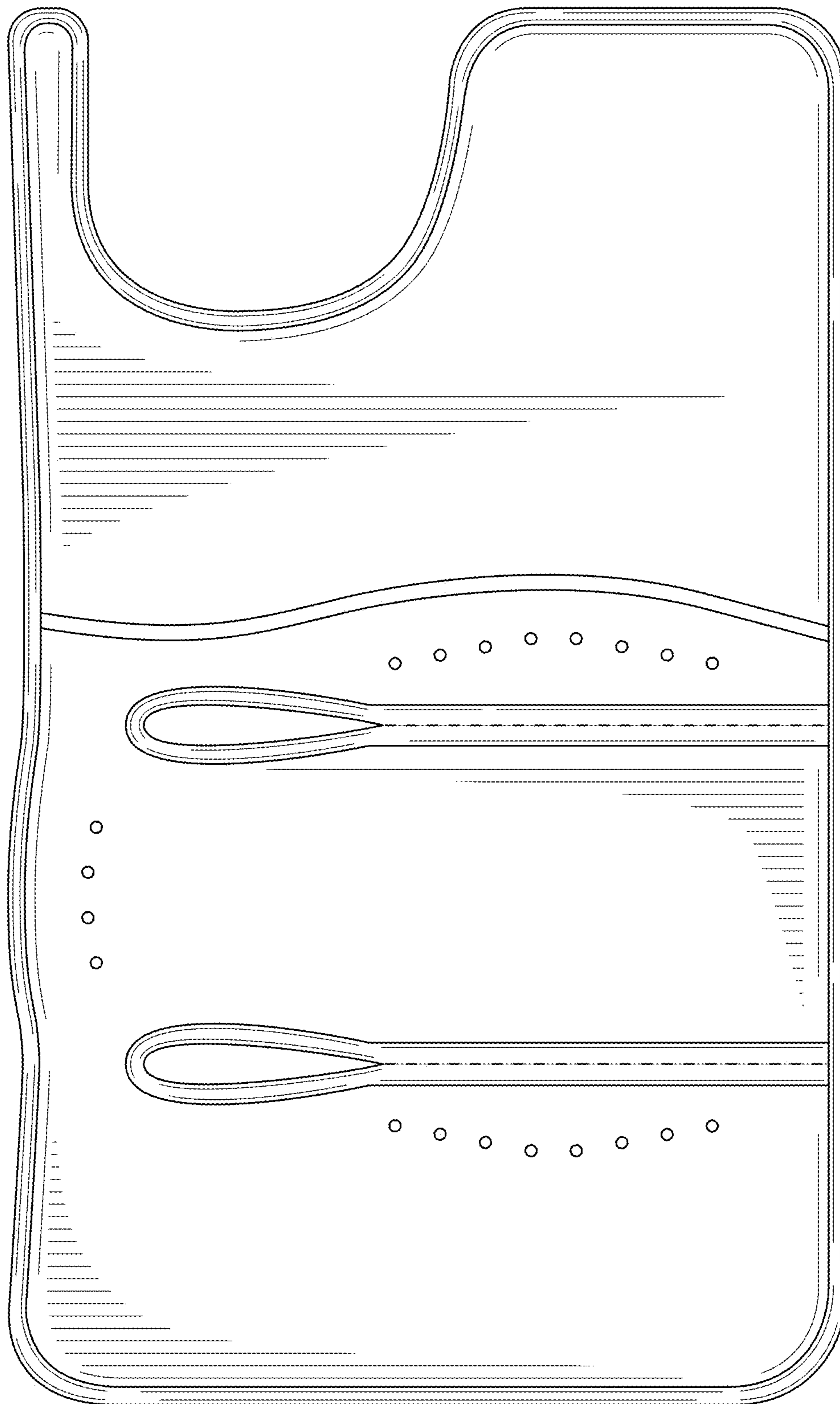


FIG. 9