



US00D938046S

(12) **United States Design Patent** (10) **Patent No.:** **US D938,046 S**
Gupta et al. (45) **Date of Patent:** **** Dec. 7, 2021**

(54) **CART**

(71) Applicant: **GE Precision Healthcare LLC**,
Milwaukee, WI (US)

(72) Inventors: **Ashish Gupta**, Bangalore (IN);
Mahendra Patil, Bangalore (IN)

(73) Assignee: **GE Precision Healthcare LLC**,
Milwaukee, WI (US)

(**) Term: **15 Years**

(21) Appl. No.: **29/731,529**

(22) Filed: **Apr. 15, 2020**

(51) **LOC (13) Cl.** **24-01**

(52) **U.S. Cl.**
USPC **D24/186; D24/185**

(58) **Field of Classification Search**
USPC D24/107, 167, 158, 160, 185–187, 231;
D34/12, 14; D14/302, 308; D13/162,
D13/163; D18/52, 53
CPC A61B 6/4405; A61B 8/4405; A61B 8/462;
A61B 8/467; A61B 5/338; A61B 50/13;
A61G 12/001; A61M 2209/082; A61M
2209/084

See application file for complete search history.

(56) **References Cited**

U.S. PATENT DOCUMENTS

4,160,906 A * 7/1979 Daniels G05B 19/10
378/115
D270,663 S * 9/1983 Wiebe D24/167
4,483,346 A * 11/1984 Slavin A61B 5/336
600/523
D338,272 S * 8/1993 Cunagin D24/167
D355,717 S * 2/1995 Murakami D24/158
D399,493 S * 10/1998 Nakajima D13/163
D498,301 S * 11/2004 Hui D24/167
D541,942 S * 5/2007 Hirson D24/185
D714,454 S * 9/2014 Amemiya D24/185

D758,586 S * 6/2016 Yokoyama D24/158
D820,907 S * 6/2018 Brown D18/53
2006/0264746 A1* 11/2006 Frisa A61B 8/467
600/437

OTHER PUBLICATIONS

Gupta, A. et al., “An Ornamental Design for a Cart Key Panel,” U.S.
Appl. No. 29/731,515, filed Apr. 15, 2020, 24 pages.

* cited by examiner

Primary Examiner — Anhdao Doan

(74) *Attorney, Agent, or Firm* — McCoy Russell LLP

(57) **CLAIM**

The ornamental design for a cart, as shown and described.

DESCRIPTION

FIG. 1 is a front-right perspective view of a cart according
to the claimed design.

FIG. 2 is a bottom-left perspective view of the cart.

FIG. 3 is a front view of the cart.

FIG. 4 is a rear view of the cart.

FIG. 5 is a left side view of the cart.

FIG. 6 is a right side view of the cart.

FIG. 7 is a top view of the cart.

FIG. 8 is a bottom view of the cart.

FIG. 9 is an enlarged view of the enclosed portion in FIG.
1.

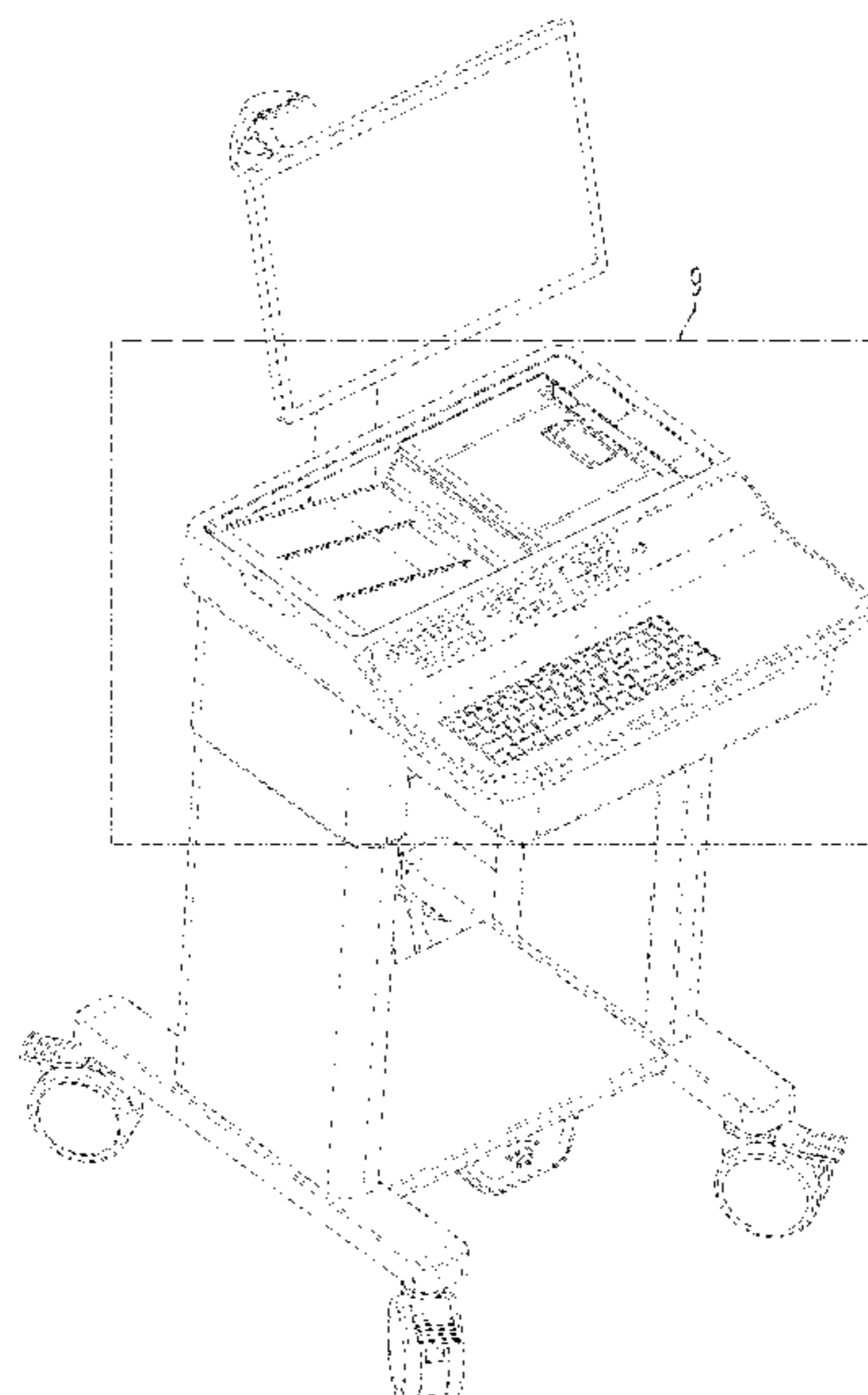
FIG. 10 is a cross-sectional view of the cart along line 10-10
in FIG. 6; and,

FIG. 11 is an enlarged view of the enclosed portion in FIG.
10.

The dash-dash broken lines in the drawings illustrate por-
tions of the cart that form no part of the claimed design.

The dash-dot broken lines in FIGS. 1, 6, and 9-11 of the
drawings showing the enclosed portions and section line
form no part of the claimed design.

1 Claim, 11 Drawing Sheets



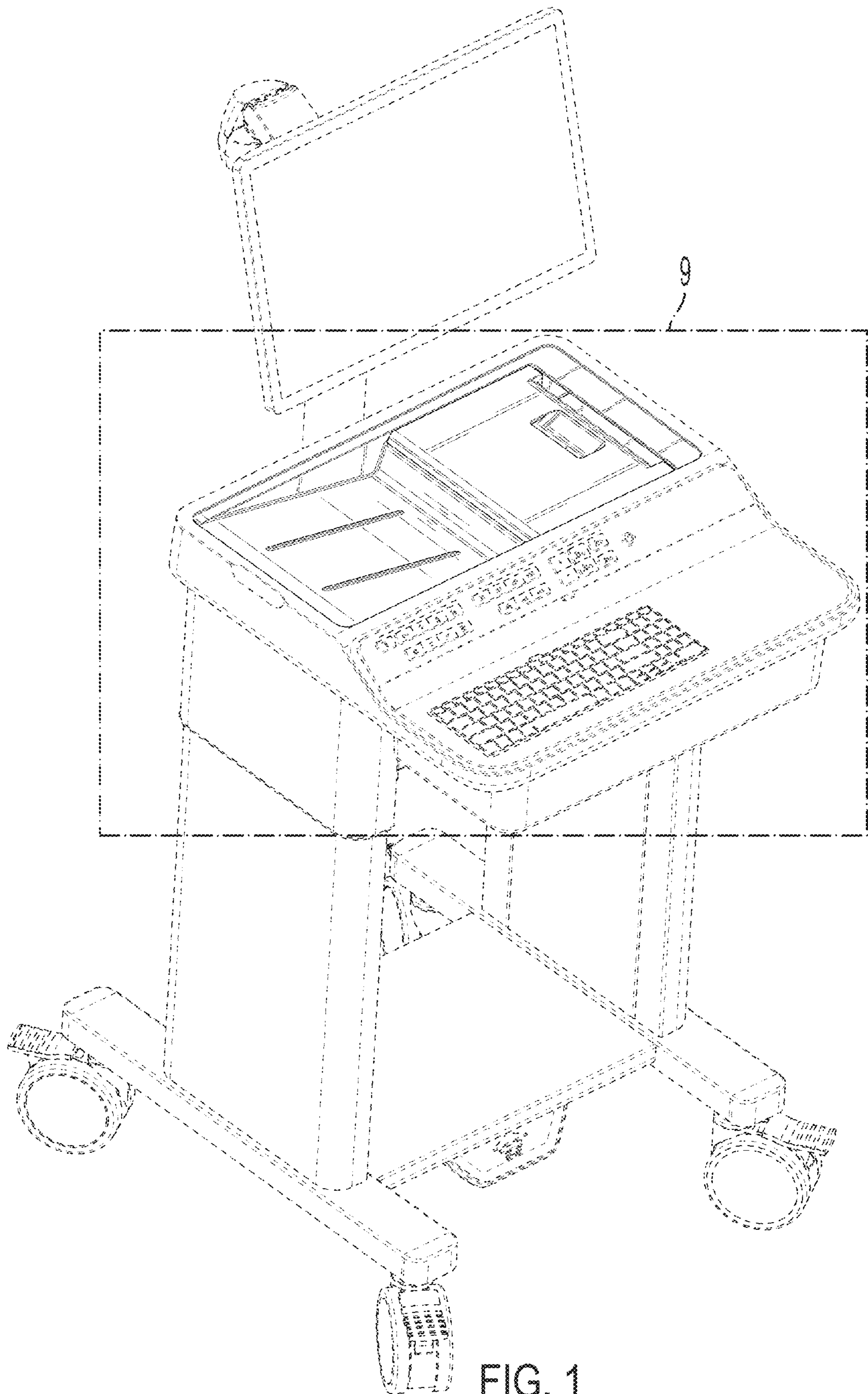


FIG. 1

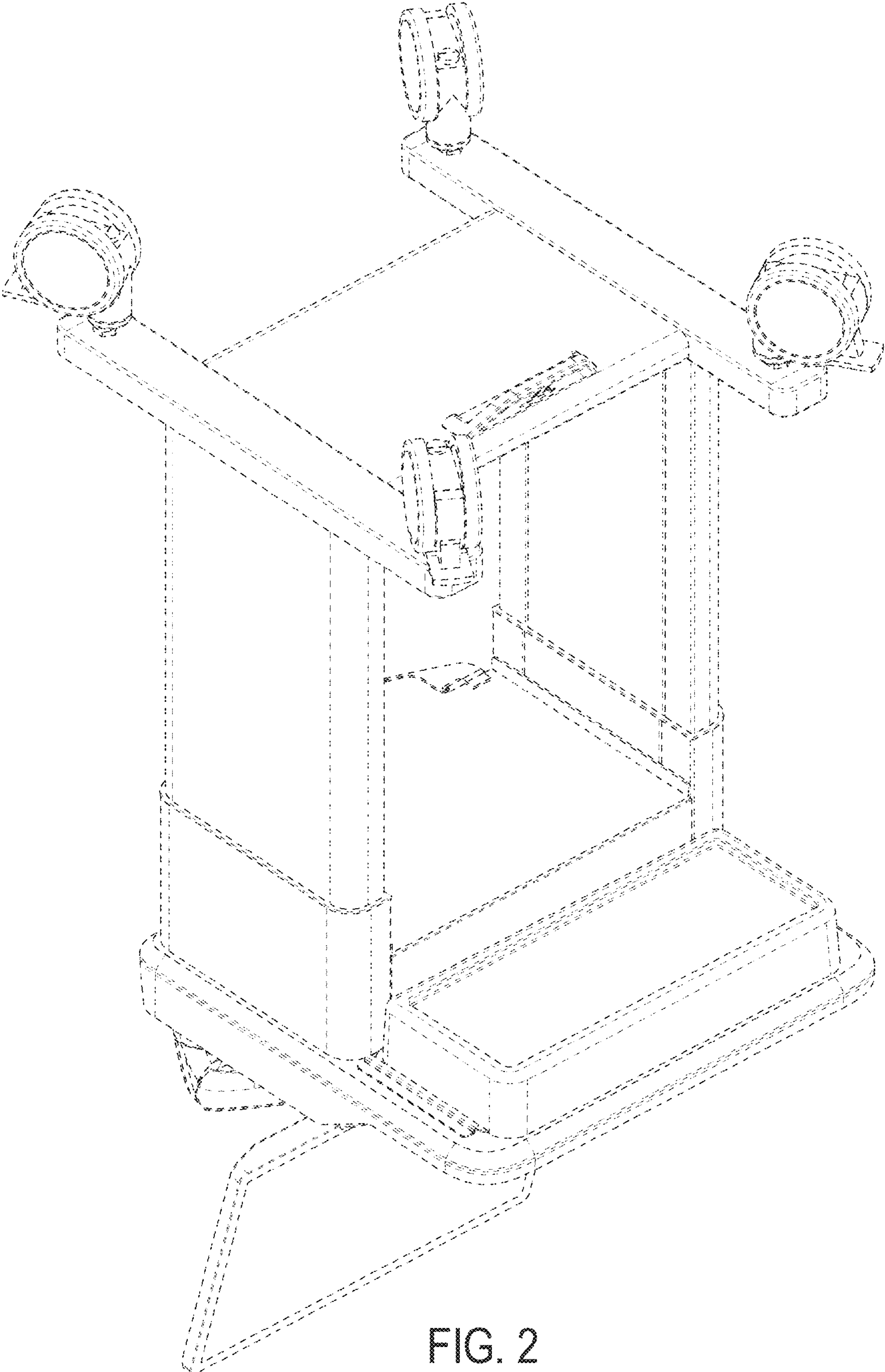


FIG. 2

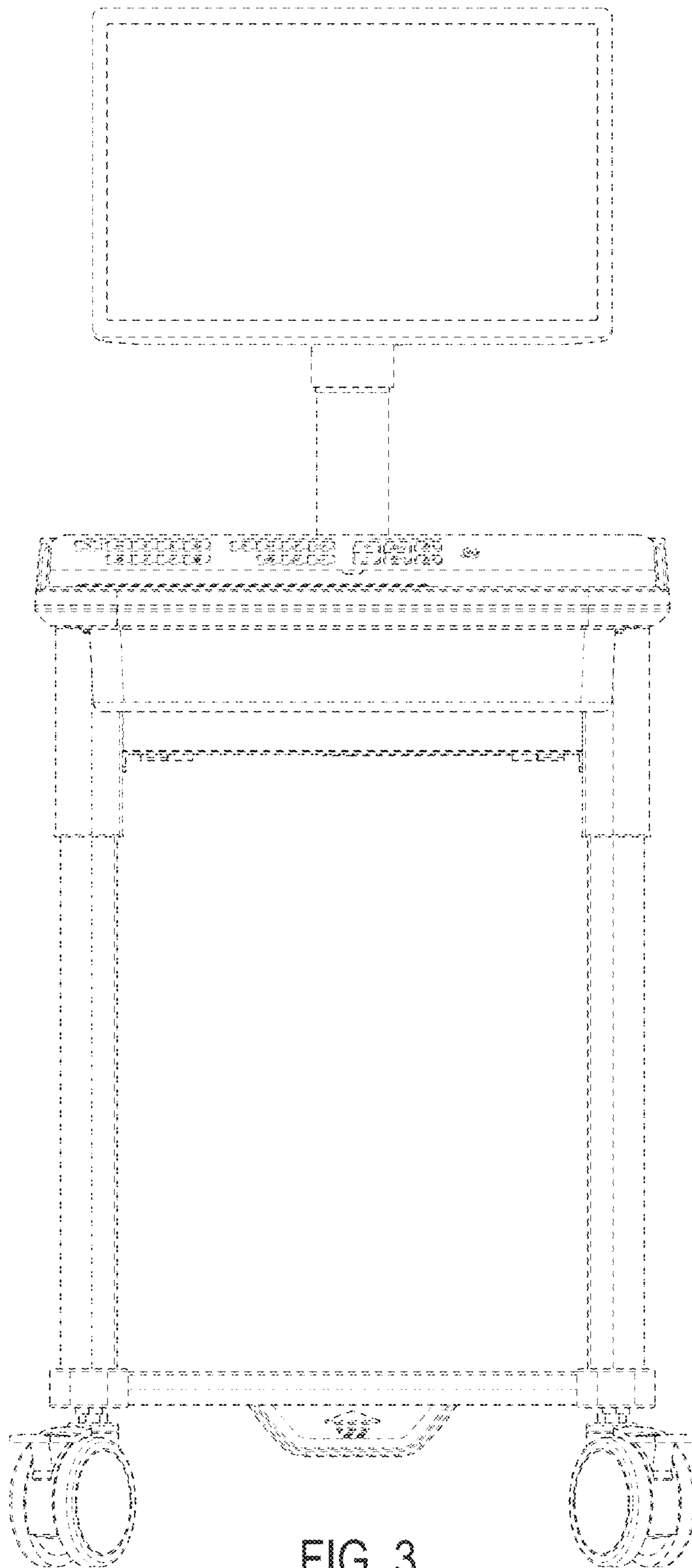


FIG. 3

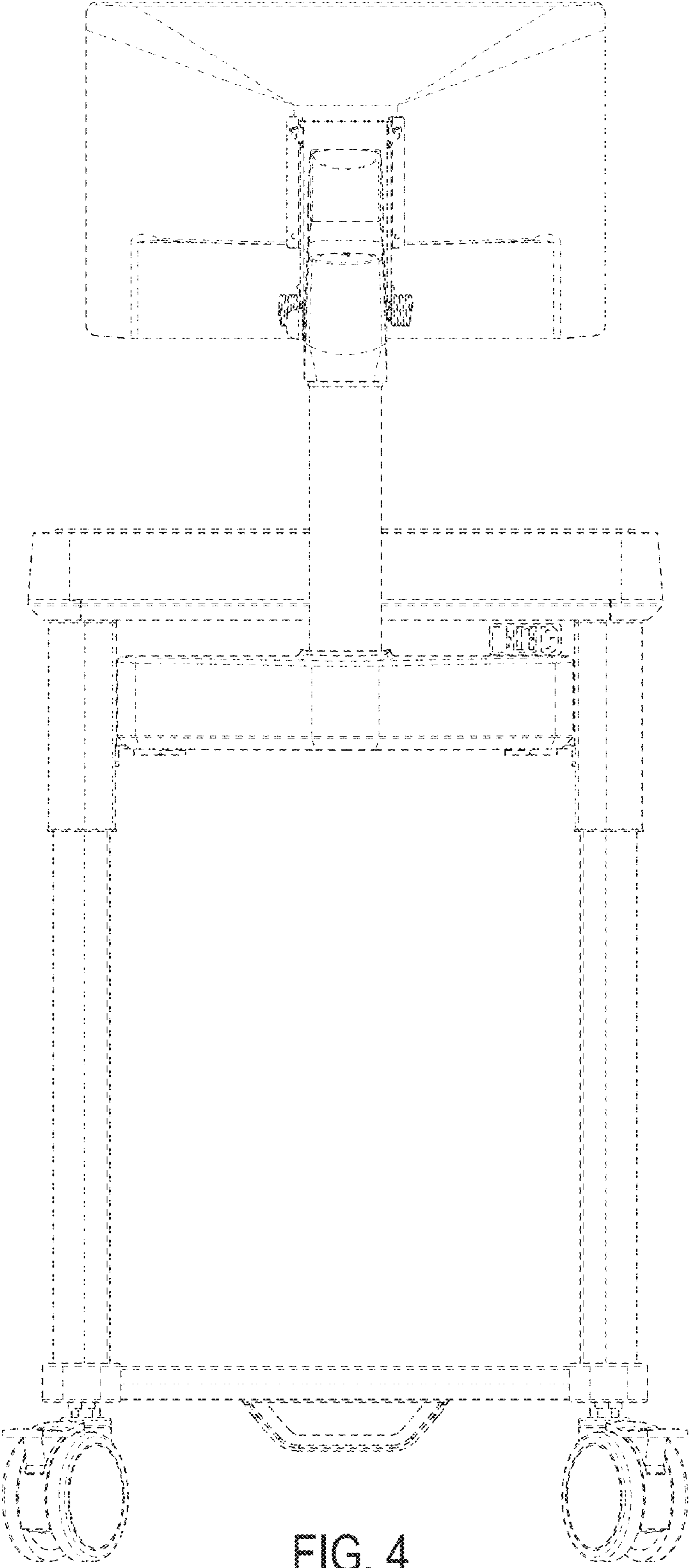


FIG. 4

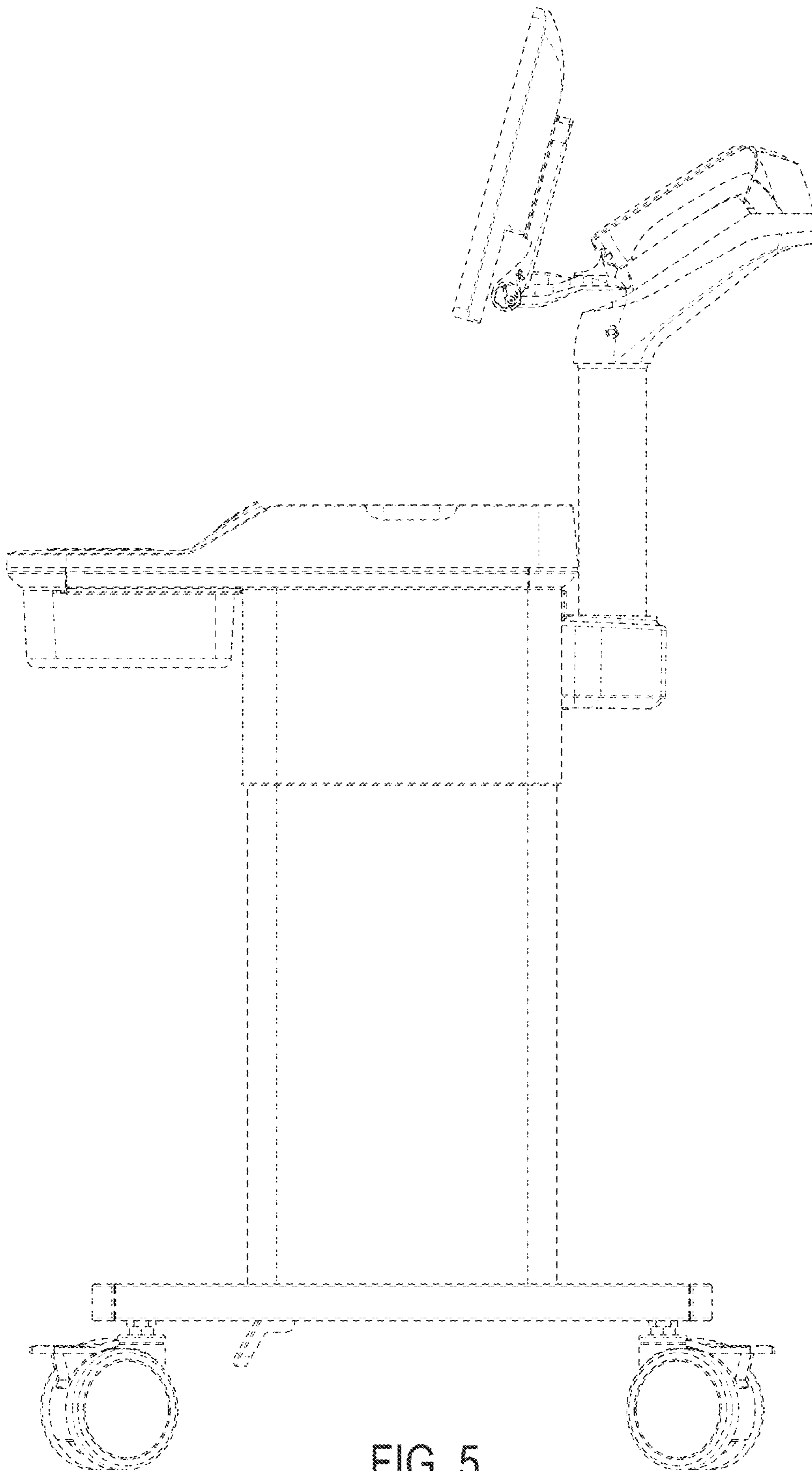


FIG. 5

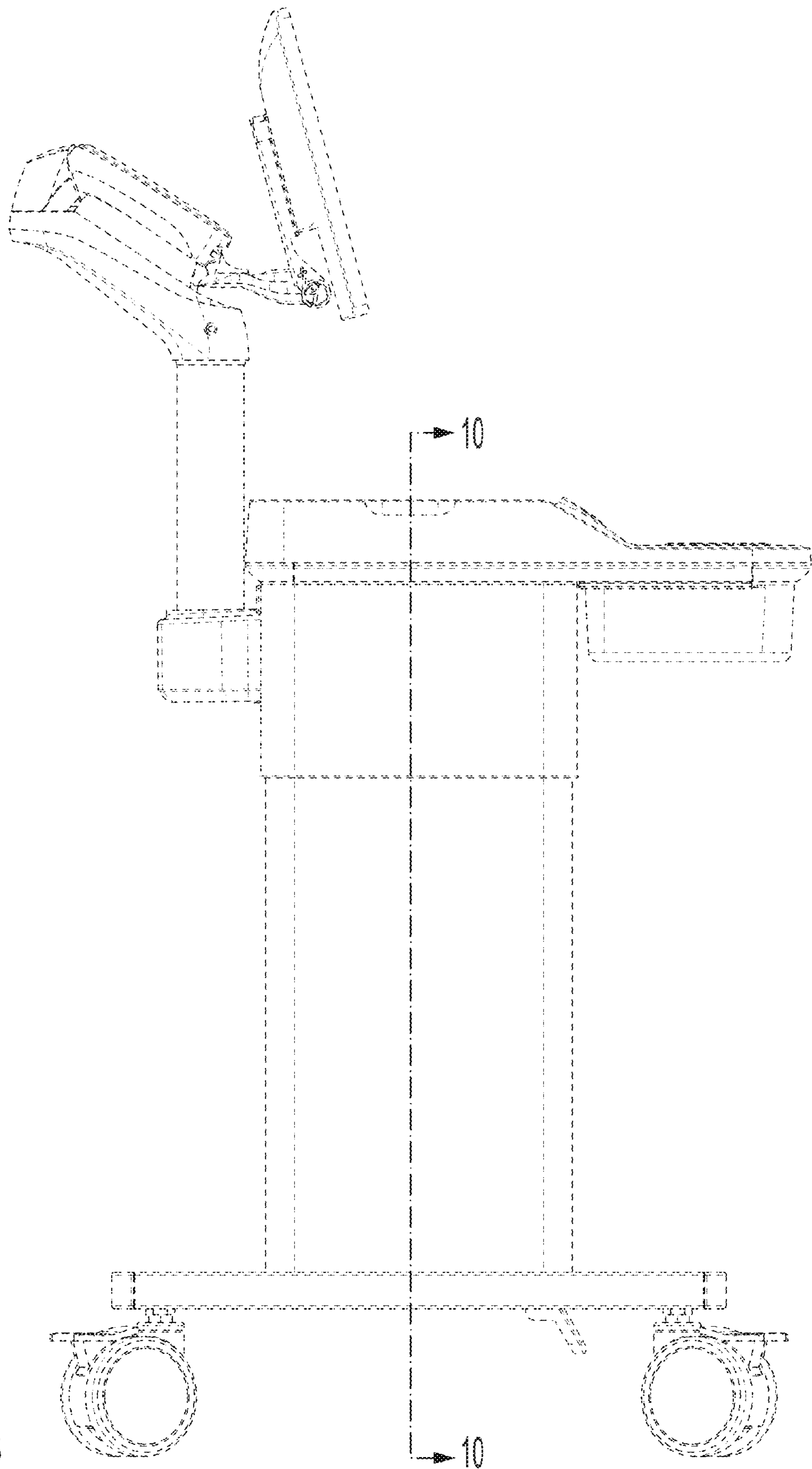


FIG. 6

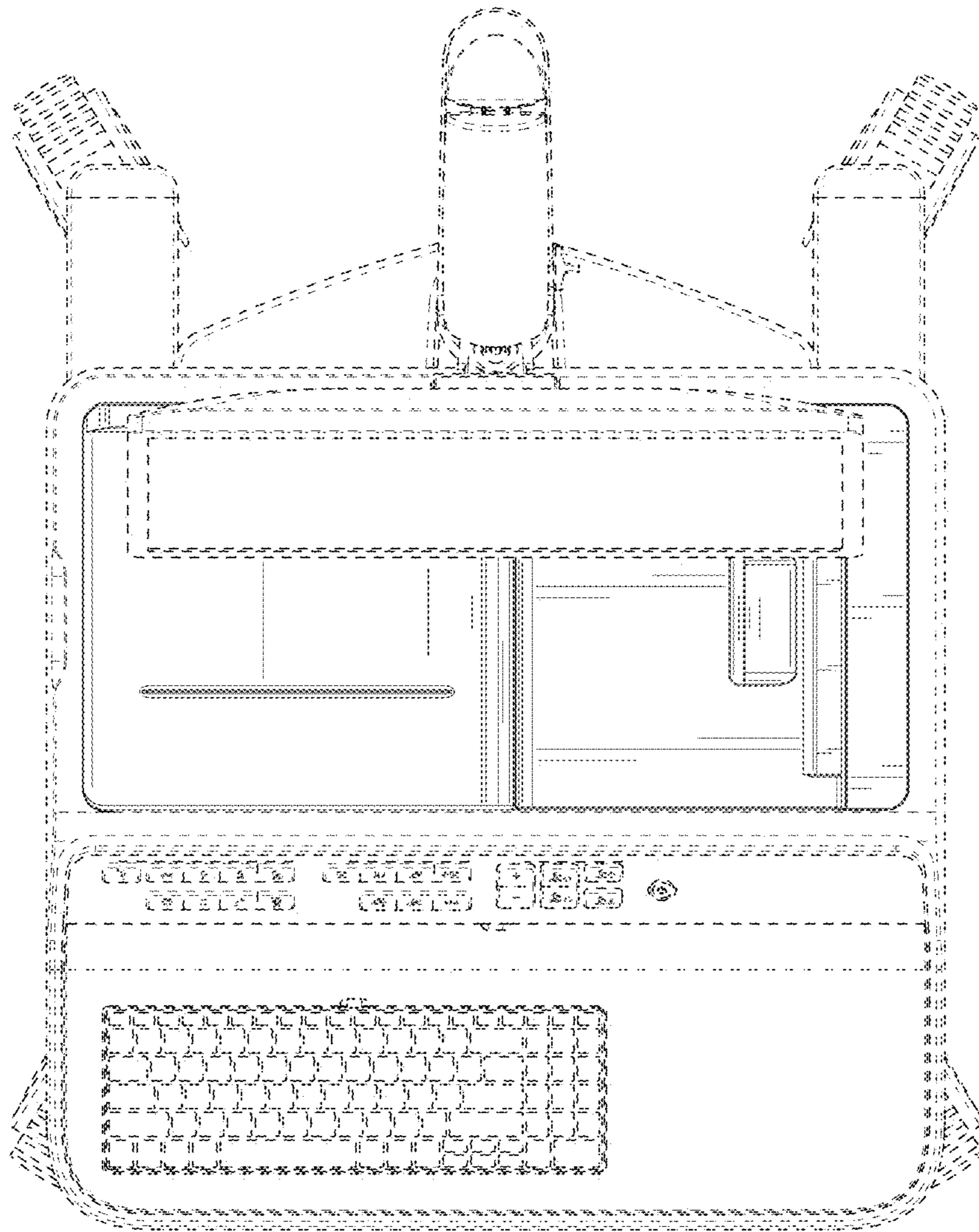


FIG. 7

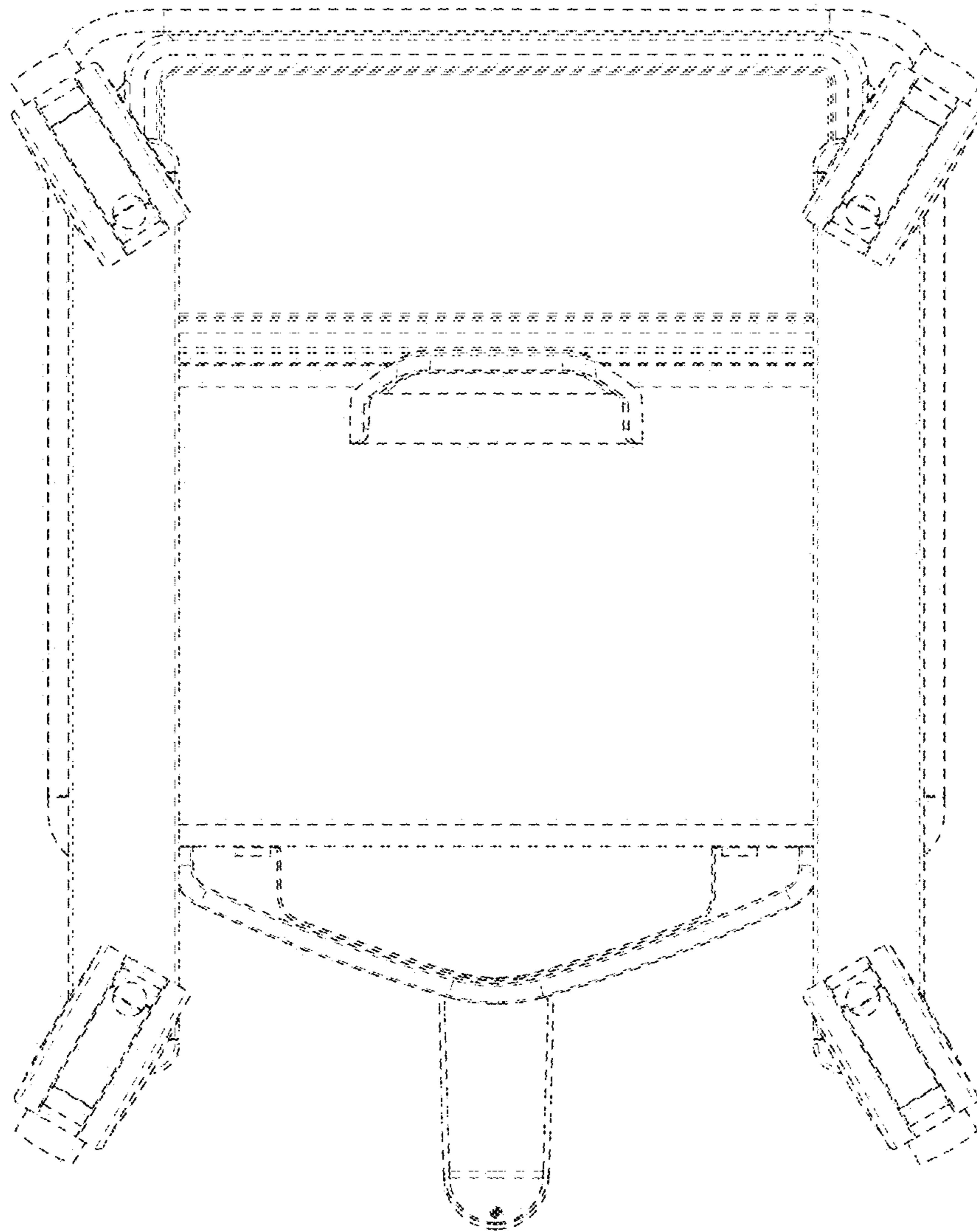


FIG. 8

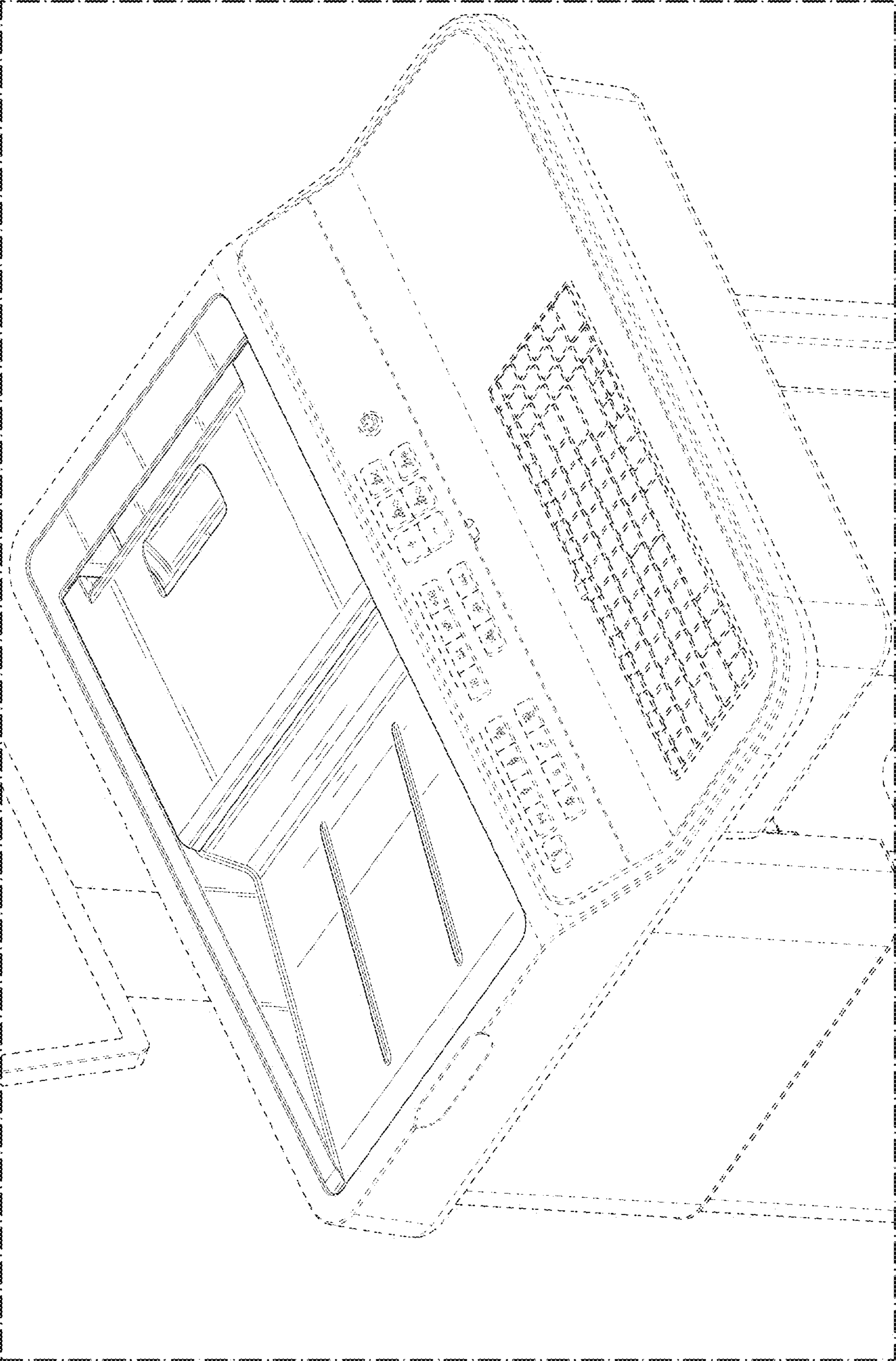


FIG. 9

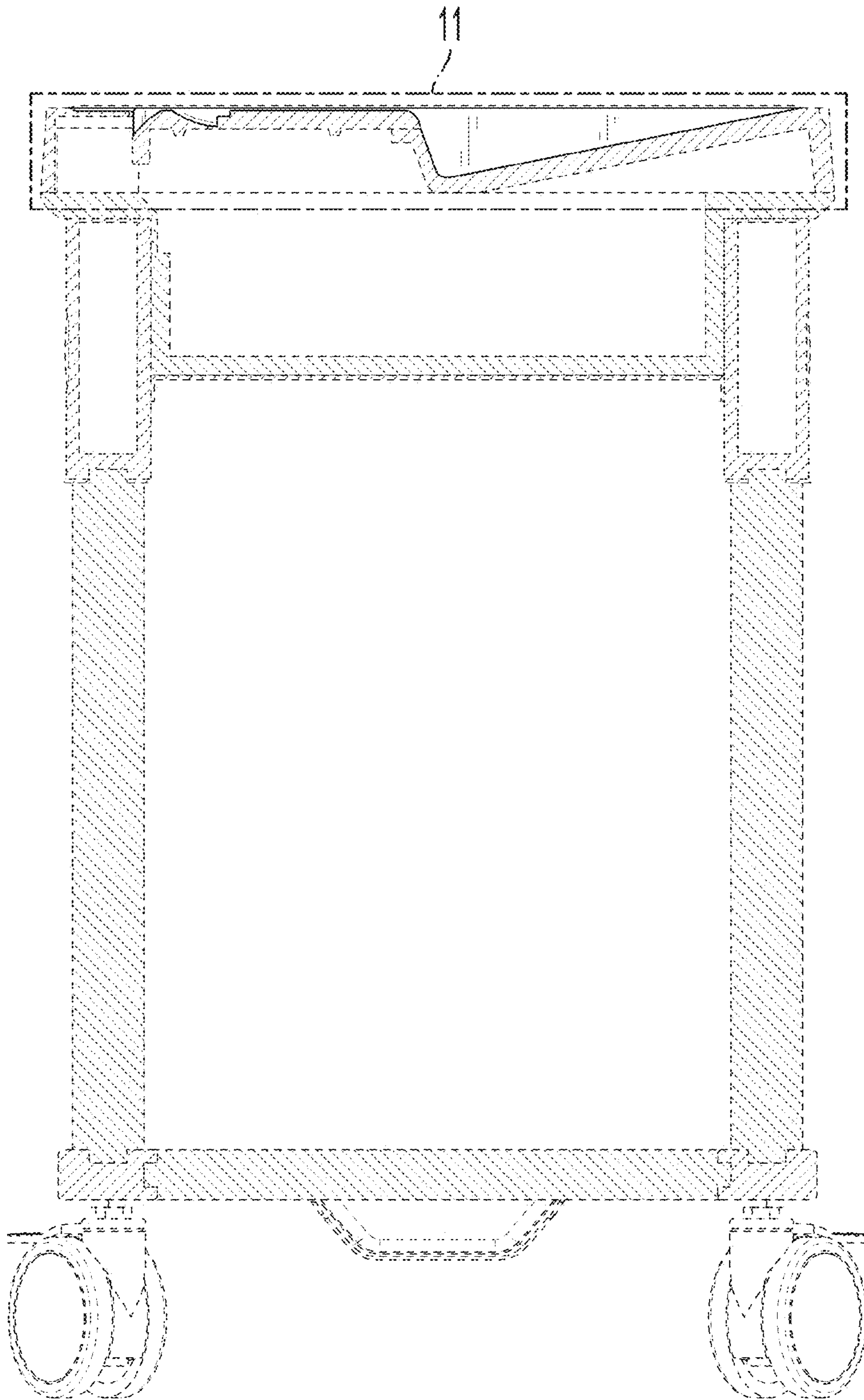


FIG. 10

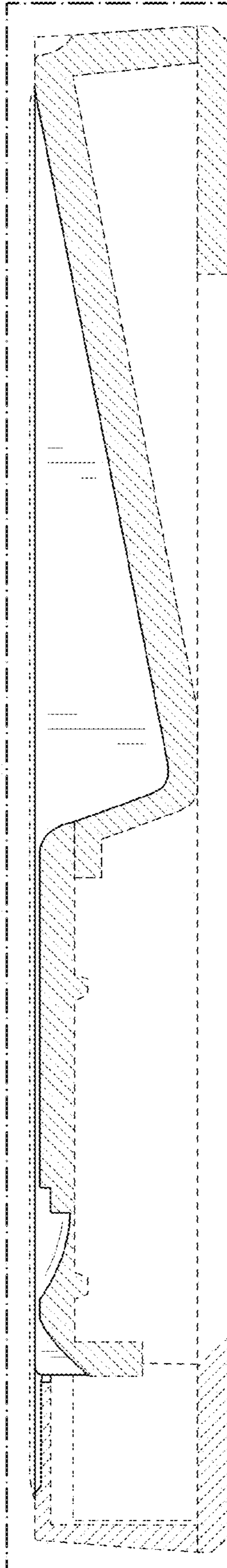


FIG. 11