



US00D938045S

(12) **United States Design Patent** (10) **Patent No.:** **US D938,045 S**
Gupta et al. (45) **Date of Patent:** **** Dec. 7, 2021**

(54) **CART KEY PANEL**

(71) Applicant: **GE Precision Healthcare LLC**,
Milwaukee, WI (US)

(72) Inventors: **Ashish Gupta**, Bangalore (IN);
Mahendra Patil, Bangalore (IN)

(73) Assignee: **GE Precision Healthcare LLC**,
Milwaukee, WI (US)

(**) Term: **15 Years**

(21) Appl. No.: **29/731,515**

(22) Filed: **Apr. 15, 2020**

(51) **LOC (13) Cl.** **24-01**

(52) **U.S. Cl.**
USPC **D24/186; D24/185**

(58) **Field of Classification Search**
USPC D24/107, 167, 158, 160, 185-187, 231;
D34/12, 14; D14/302, 308; D13/162,
D13/163; D18/52, 53
CPC A61B 6/4405; A61B 8/4405; A61B 8/462;
A61B 8/467; A61B 5/338; A61B 50/13;
A61G 12/001; A61M 2209/082; A61M
2209/084
See application file for complete search history.

(56) **References Cited**

U.S. PATENT DOCUMENTS

4,160,906	A *	7/1979	Daniels	G05B 19/10 378/115
D334,062	S *	3/1993	Davis	D24/160
D355,717	S *	2/1995	Murakami	D24/158
D356,792	S *	3/1995	Murakami	D24/158
6,669,639	B1 *	12/2003	Miller	A61B 8/00 600/443

(Continued)

OTHER PUBLICATIONS

Gupta, A. et al., "An Ornamental Design for a Cart," U.S. Appl. No. 29/731,529, filed Apr. 15, 2020, 32 pages.

Primary Examiner — Anhdao Doan

(74) *Attorney, Agent, or Firm* — McCoy Russell LLP

(57) **CLAIM**

The ornamental design for a cart key panel, as shown and described.

DESCRIPTION

FIG. 1 is a front, right perspective view of a cart key panel; FIG. 2 is a front view thereof; FIG. 3 is a rear view thereof; FIG. 4 is a right side view thereof; FIG. 5 is a left side view thereof; FIG. 6 is a top view thereof; FIG. 7 is a bottom view thereof; FIG. 8 is an enlarged view of the enclosed portion in FIG. 1.

FIG. 9 is a cross-sectional view thereof taken along line 9-9 of FIG. 6; and,

FIG. 10 is an enlarged view of the enclosed portion in FIG. 9.

The dash-dash broken lines in the drawings illustrate portions of the cart key panel that form no part of the claimed design.

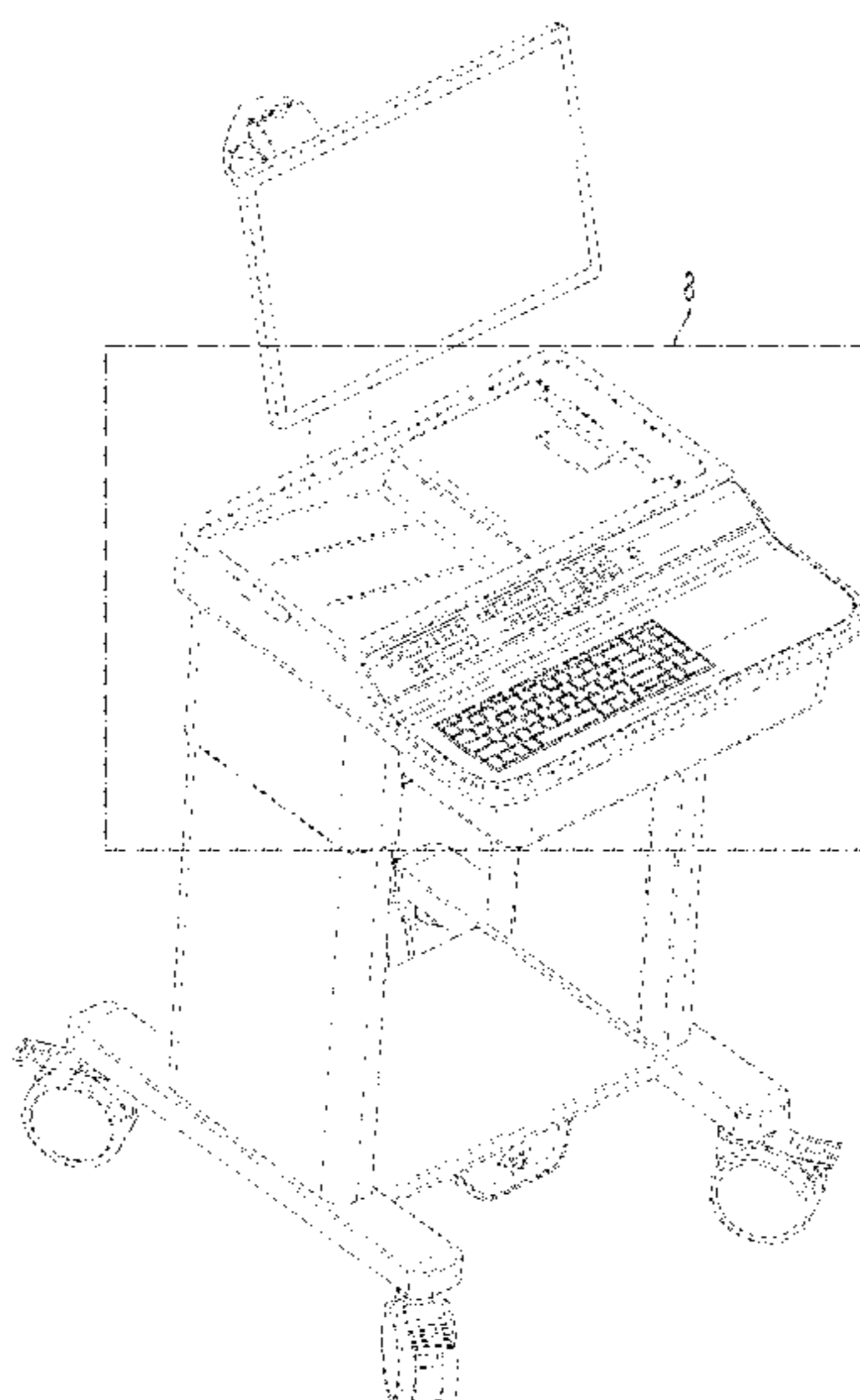
The dash-dot broken lines in FIGS. 1, 6, and 8-10 of the drawings showing the enclosed portions and section line form no part of the claimed design.

The dash-dash broken lines in the drawings illustrate portions of the cart key panel that form no part of the claimed design.

The dash-dot broken lines in FIGS. 1, 6, 8-11, 16, and 18-21 of the drawings showing the enclosed portions and section line form no part of the claimed design.

The interior portions of the cart key panel illustrated with dashed hatch shading in FIGS. 9-10 of the drawings form no part of the claimed design, but the exterior surfaces illustrated with solid lines in FIGS. 9-10 are claimed.

1 Claim, 10 Drawing Sheets



(56)

References Cited

U.S. PATENT DOCUMENTS

D541,942 S *	5/2007	Hirson	D24/185
D630,751 S *	1/2011	Yanase	D24/158
D665,083 S *	8/2012	Yang	D24/185
D666,159 S *	8/2012	Adenau	D13/164
D717,446 S *	11/2014	Lu	D24/167
D722,172 S *	2/2015	Amemiya	D24/185
D748,805 S *	2/2016	Wolfson	D24/185
D843,585 S *	3/2019	Wu	D24/186

* cited by examiner

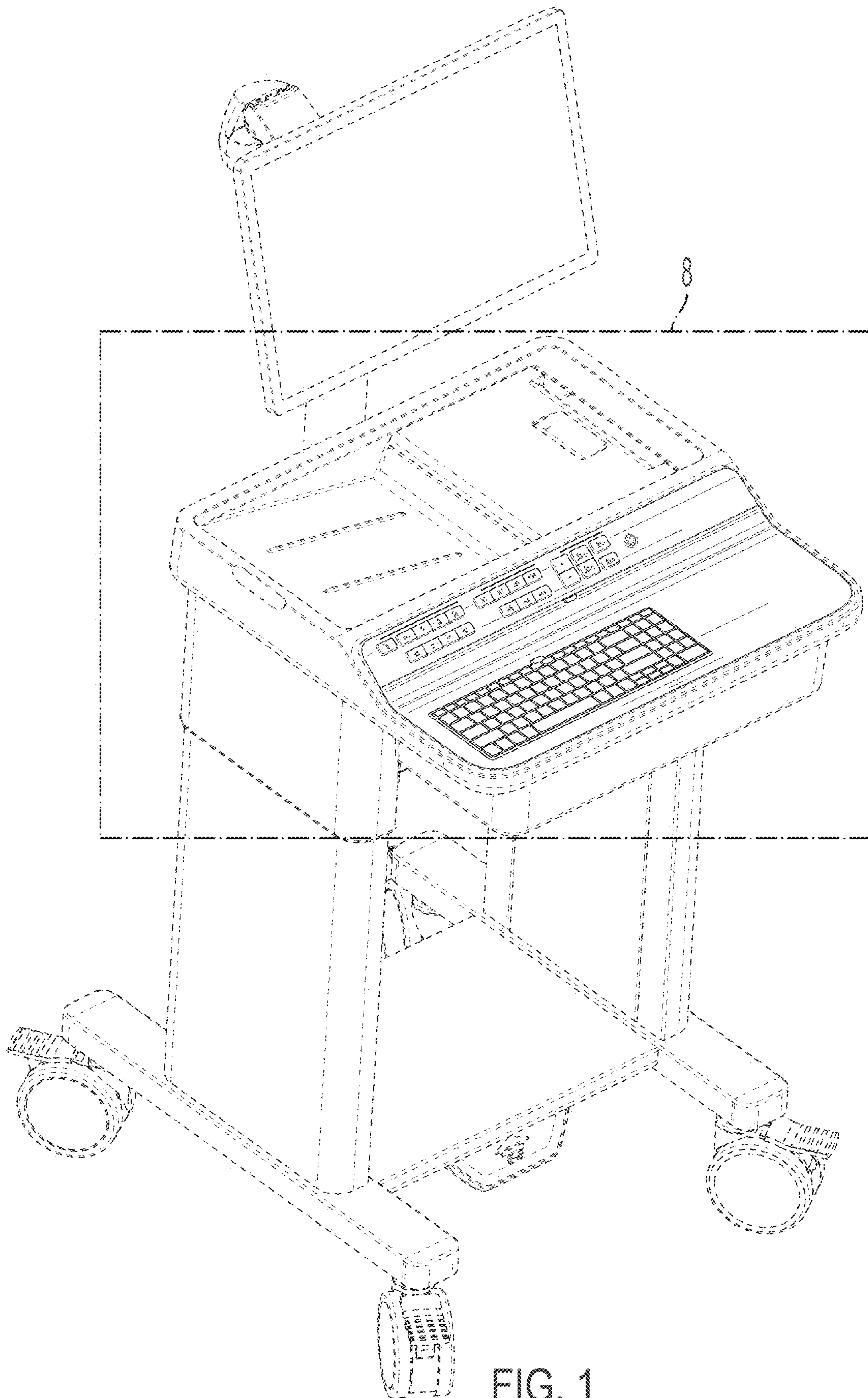


FIG. 1

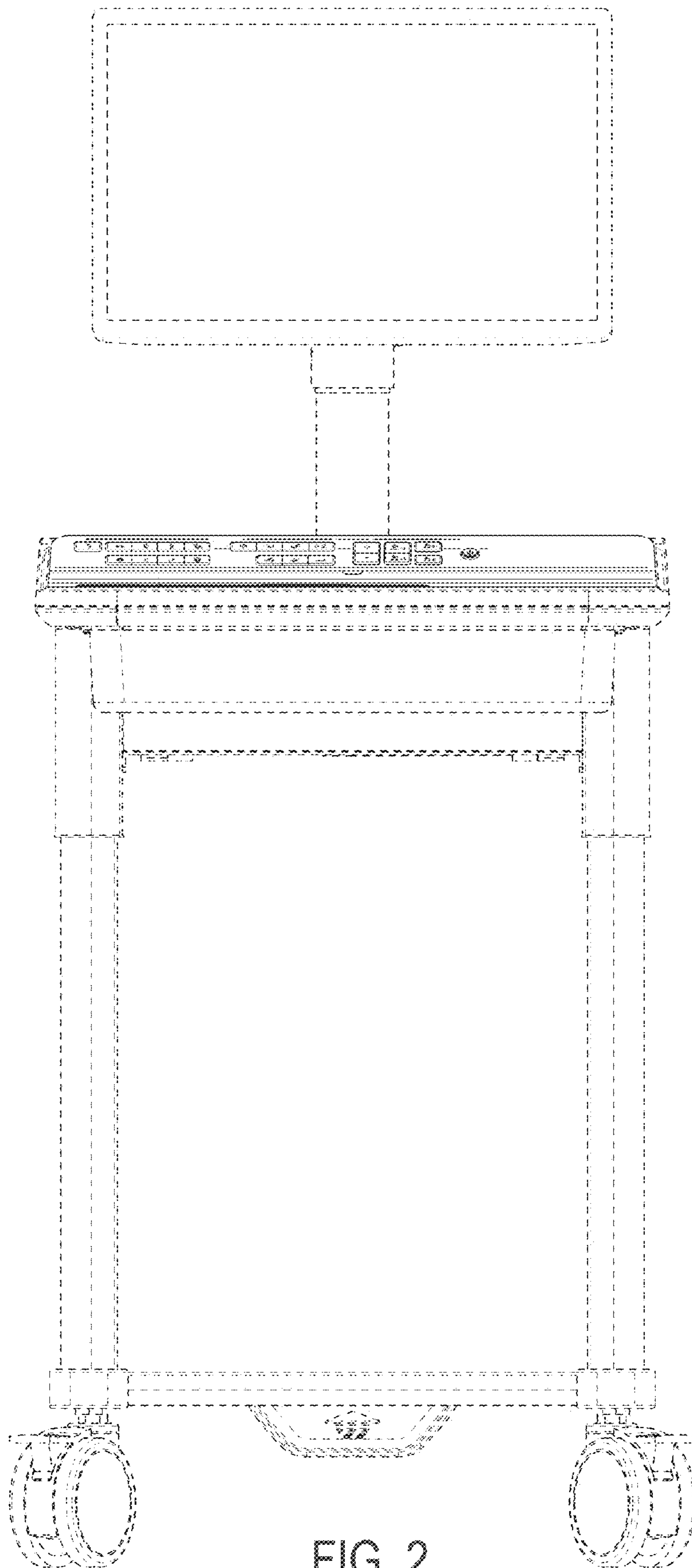


FIG. 2

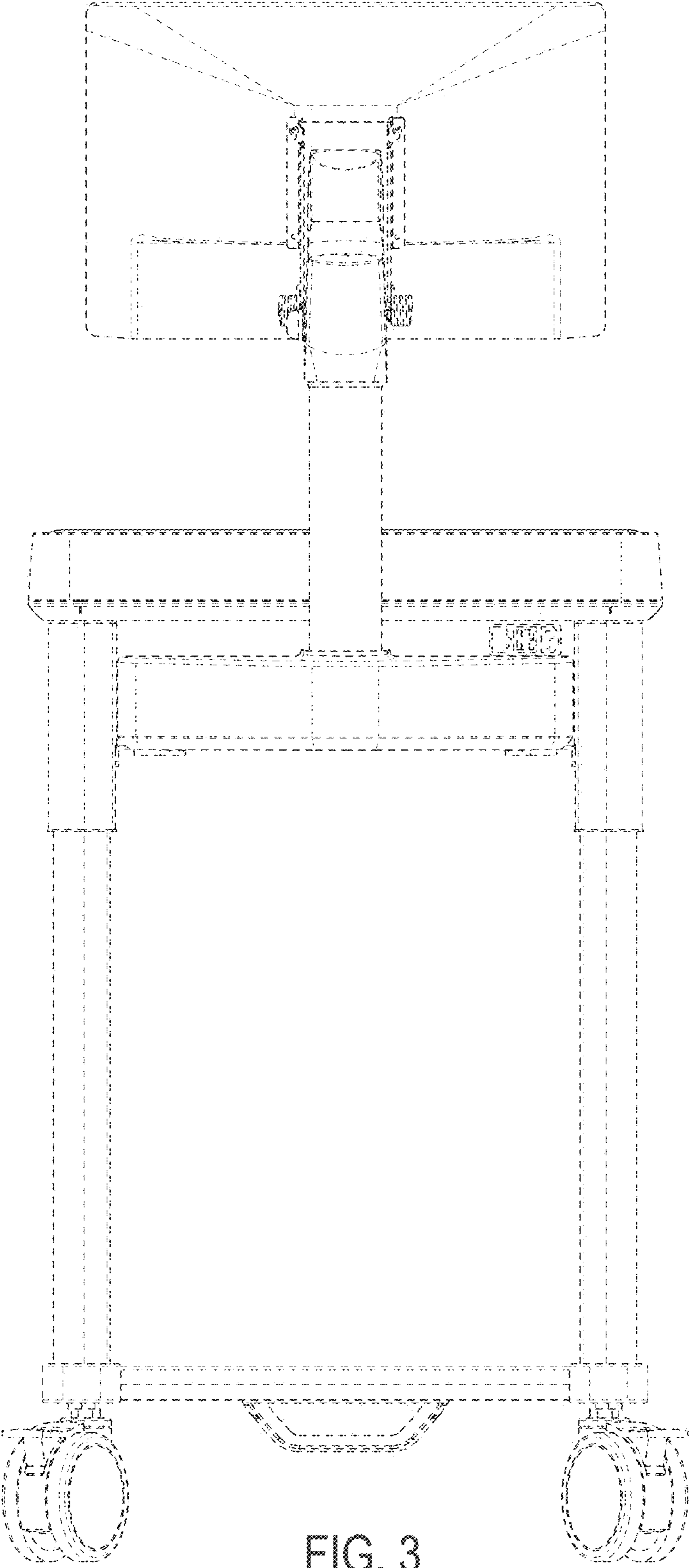


FIG. 3

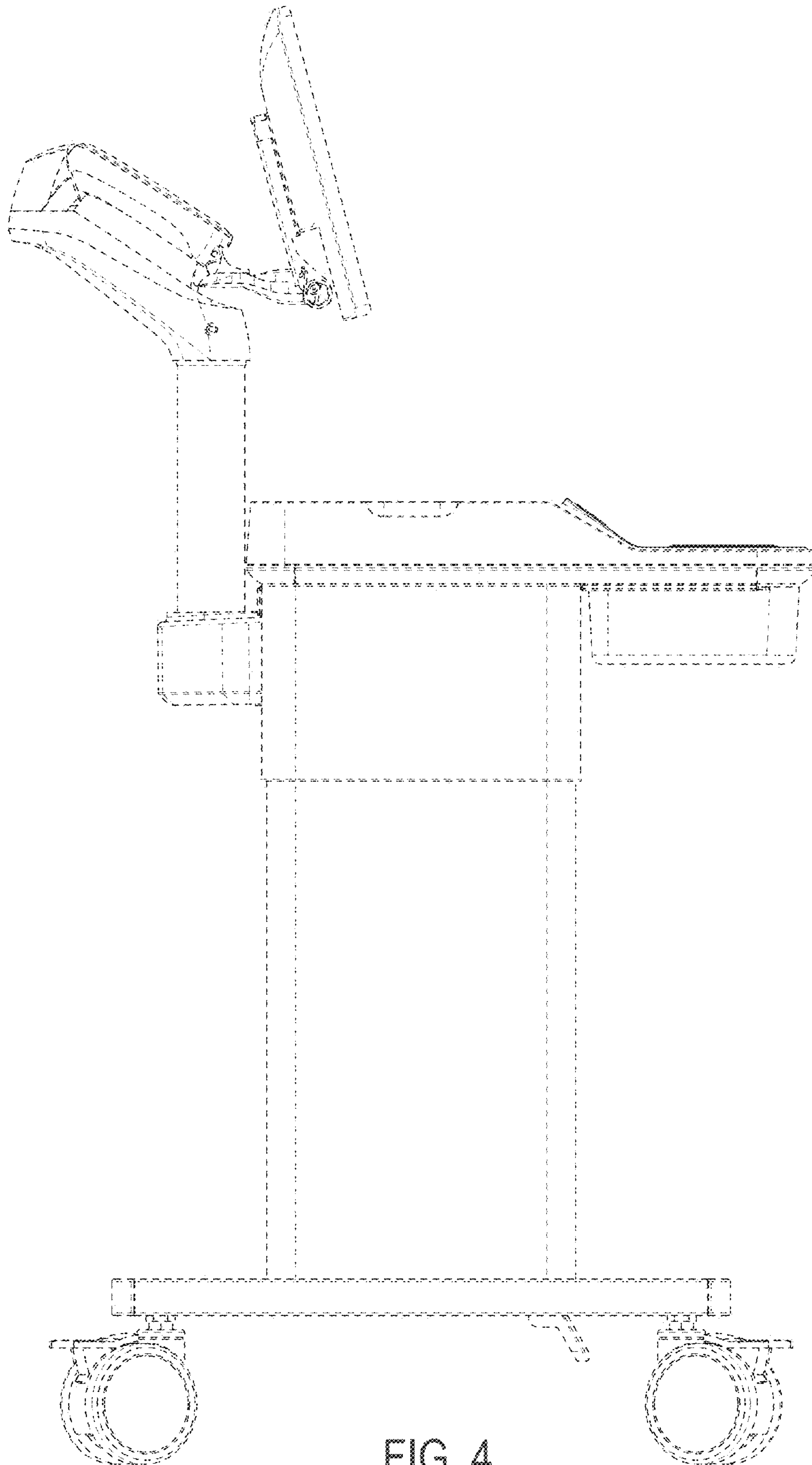


FIG. 4

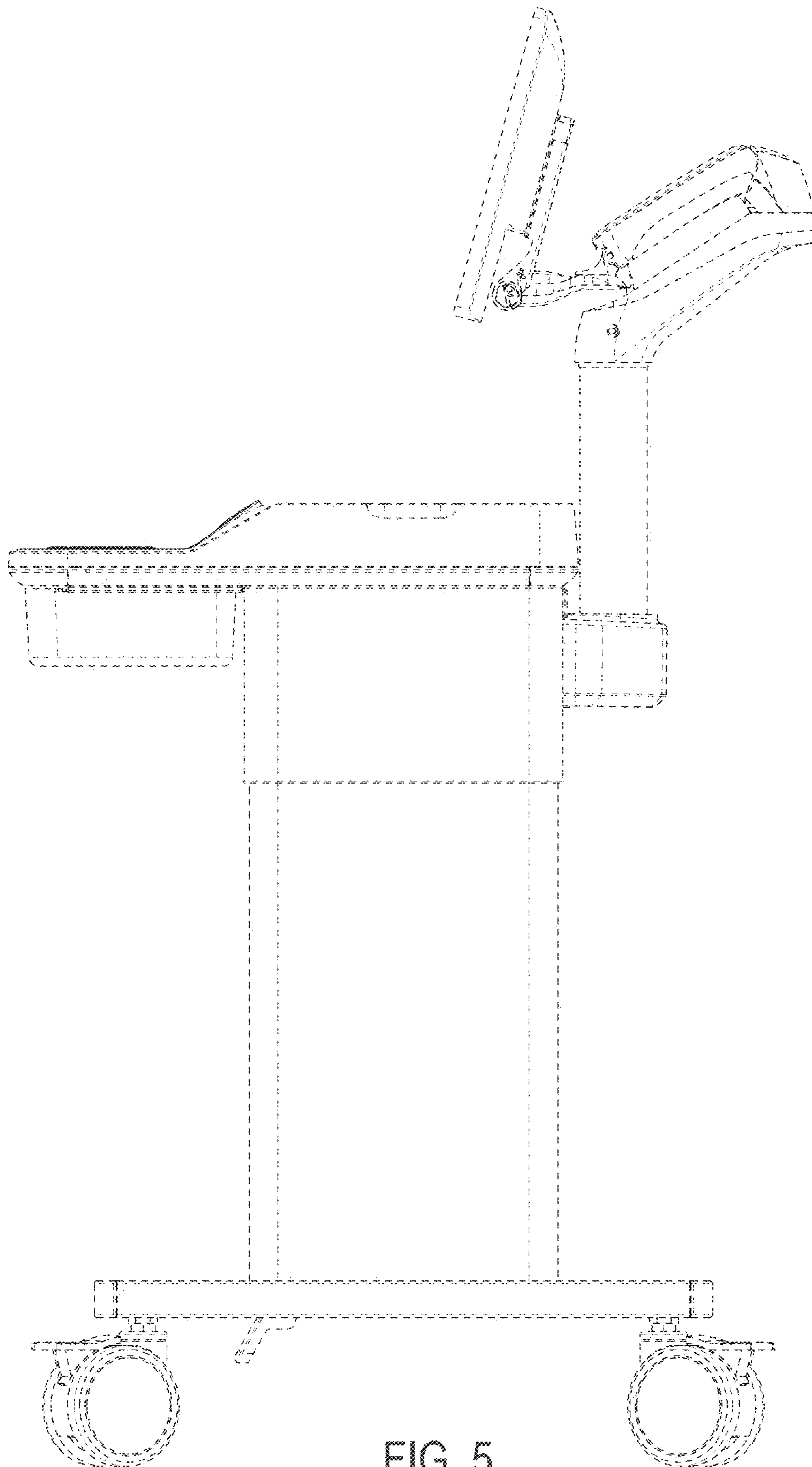


FIG. 5

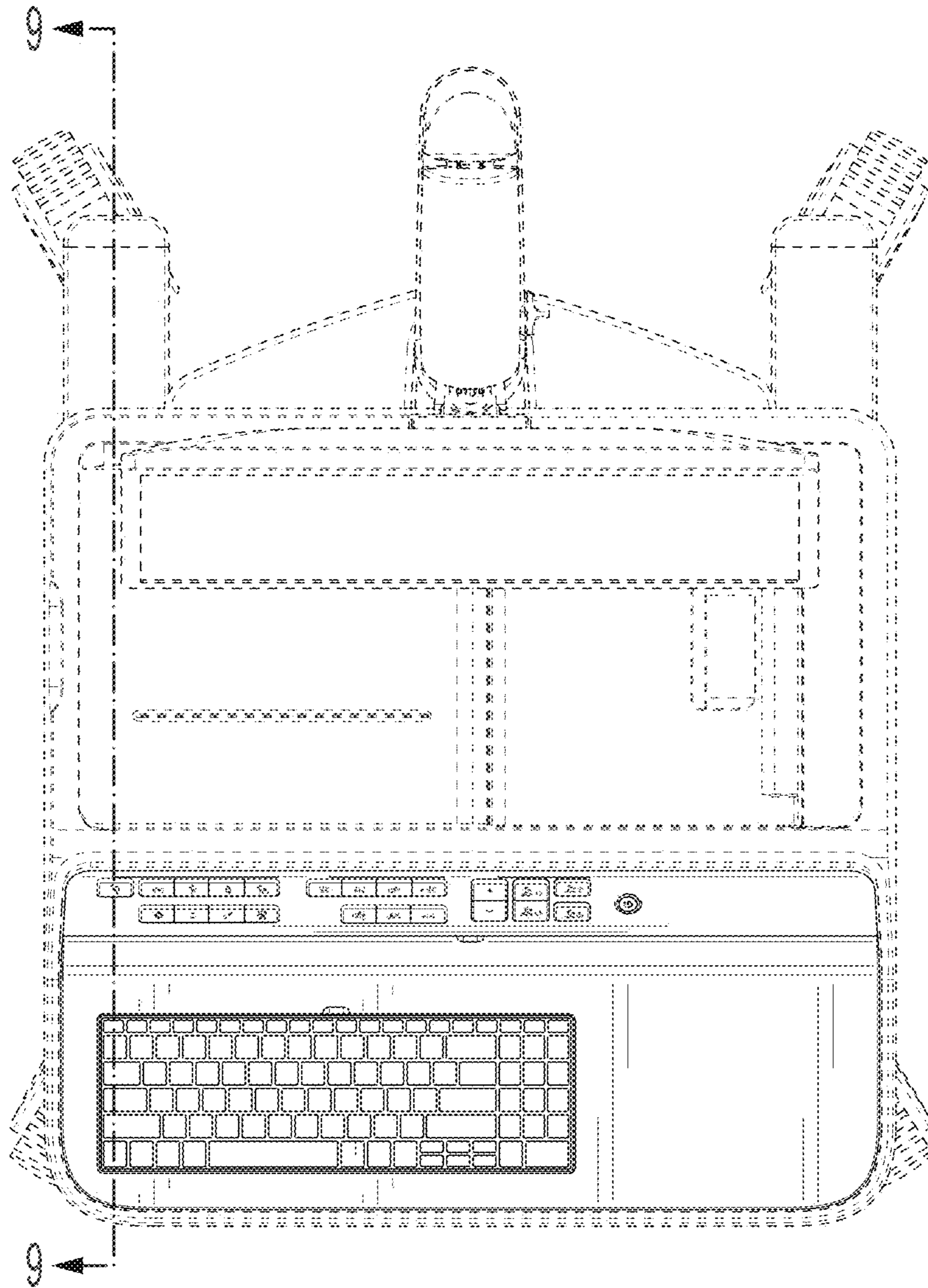


FIG. 6

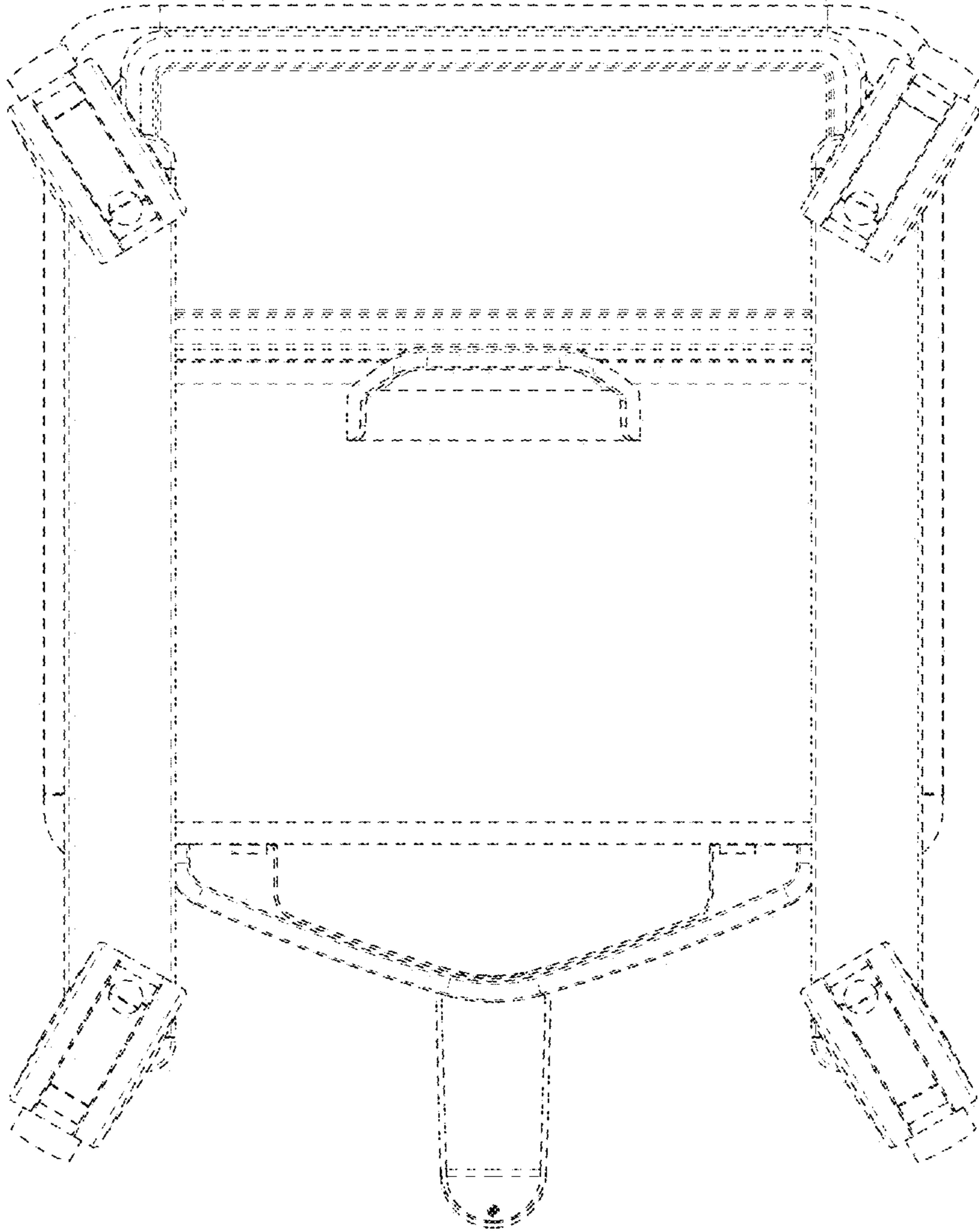


FIG. 7

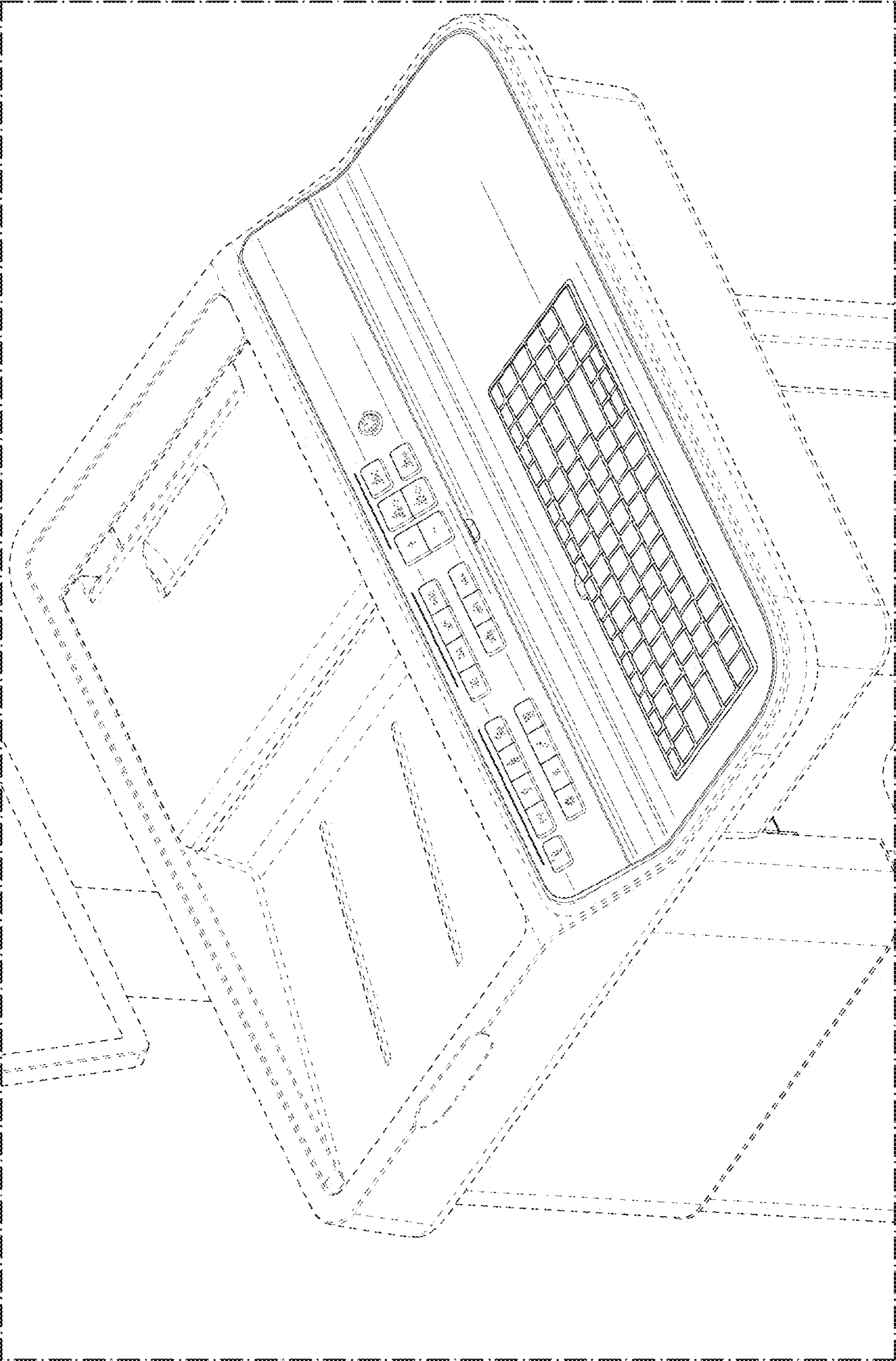


FIG. 8

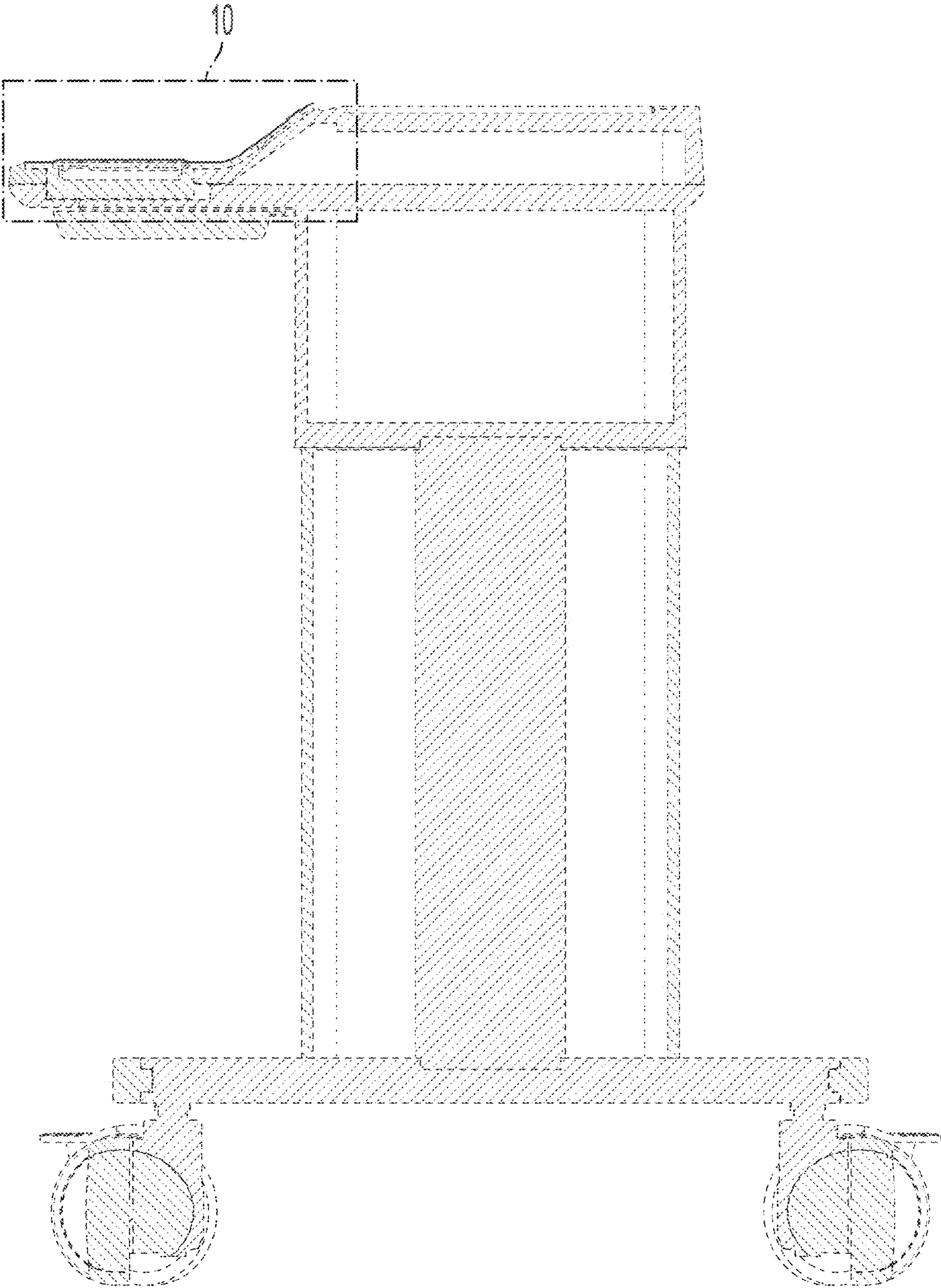


FIG. 9

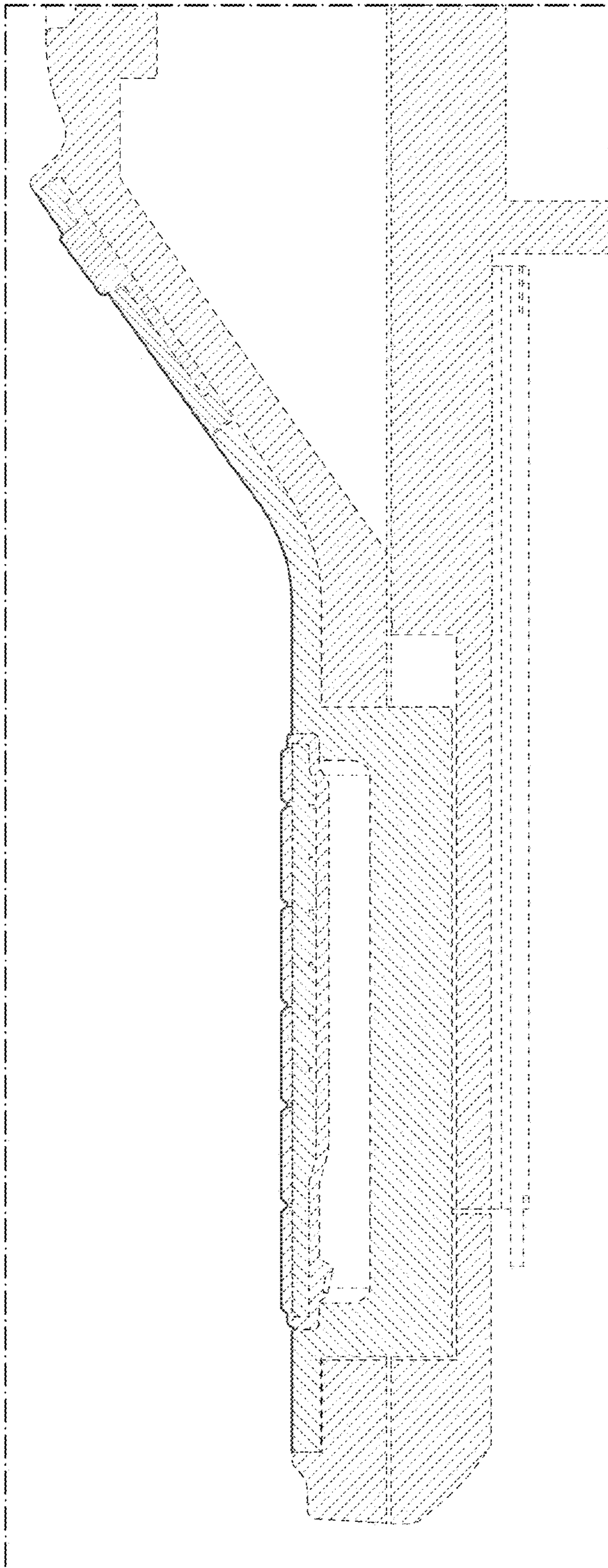


FIG. 10