



US00D938043S

(12) **United States Design Patent**  
**Farrell**

(10) **Patent No.:** **US D938,043 S**  
(45) **Date of Patent:** **\*\* Dec. 7, 2021**

(54) **ORAL APPLIANCE**

**DESCRIPTION**

(71) Applicant: **Myosa Pty Ltd**, Helensvale (AU)  
(72) Inventor: **Christopher John Farrell**, Helensvale (AU)  
(73) Assignee: **Myosa Pty Ltd**  
(\*\*) Term: **15 Years**  
(21) Appl. No.: **29/725,627**  
(22) Filed: **Feb. 26, 2020**

(30) **Foreign Application Priority Data**

Aug. 27, 2019 (AU) ..... 201914867

(51) **LOC (13) Cl.** ..... **24-02**

(52) **U.S. Cl.**  
USPC ..... **D24/181; D24/180**

(58) **Field of Classification Search**  
USPC ..... D24/176, 180-181; D29/108

(Continued)

(56) **References Cited**

**U.S. PATENT DOCUMENTS**

5,092,346 A 3/1992 Hays et al.  
5,792,067 A 8/1998 Karell

(Continued)

**FOREIGN PATENT DOCUMENTS**

AU D201717102 7/2018  
AU D201813962 8/2018

(Continued)

*Primary Examiner* — Wan Laymon

(74) *Attorney, Agent, or Firm* — Lerner, David, Littenberg, Krumholz & Mentlik, LLP

(57) **CLAIM**

The ornamental design for an oral appliance, as shown and described.

FIG. 1 is a front perspective view of an oral appliance of a first embodiment of the design;  
FIG. 2 is a rear perspective view of the oral appliance as shown in FIG. 1;  
FIG. 3 is a front view of the oral appliance as shown in FIG. 1;  
FIG. 4 is a rear view of the oral appliance as shown in FIG. 1;  
FIG. 5 is a left side view of the oral appliance as shown in FIG. 1;  
FIG. 6 is a top plan view of the oral appliance as shown in FIG. 1;  
FIG. 7 is a bottom plan view of the oral appliance as shown in FIG. 1;  
FIG. 8 is a cross section side view of the oral appliance taken in the direction of line 8-8 of FIG. 6;  
FIG. 9 is a front perspective view of an oral appliance of a second embodiment of the design;  
FIG. 10 is a rear perspective view of the oral appliance as shown in FIG. 9;  
FIG. 11 is a front view of the oral appliance as shown in FIG. 9;  
FIG. 12 is a rear view of the oral appliance as shown in FIG. 9;  
FIG. 13 is a left side view of the oral appliance as shown in FIG. 9;  
FIG. 14 is a top plan view of the oral appliance as shown in FIG. 9;  
FIG. 15 is a bottom plan view of the oral appliance as shown in FIG. 9.  
FIG. 16 is a front perspective view of an oral appliance of a third embodiment of the design;  
FIG. 17 is a rear perspective view of the oral appliance as shown in FIG. 16;  
FIG. 18 is a front view of the oral appliance as shown in FIG. 16;  
FIG. 18 is a front view of the oral appliance as shown in FIG. 16;  
FIG. 19 is a rear view of the oral appliance as shown in FIG. 16;

(Continued)

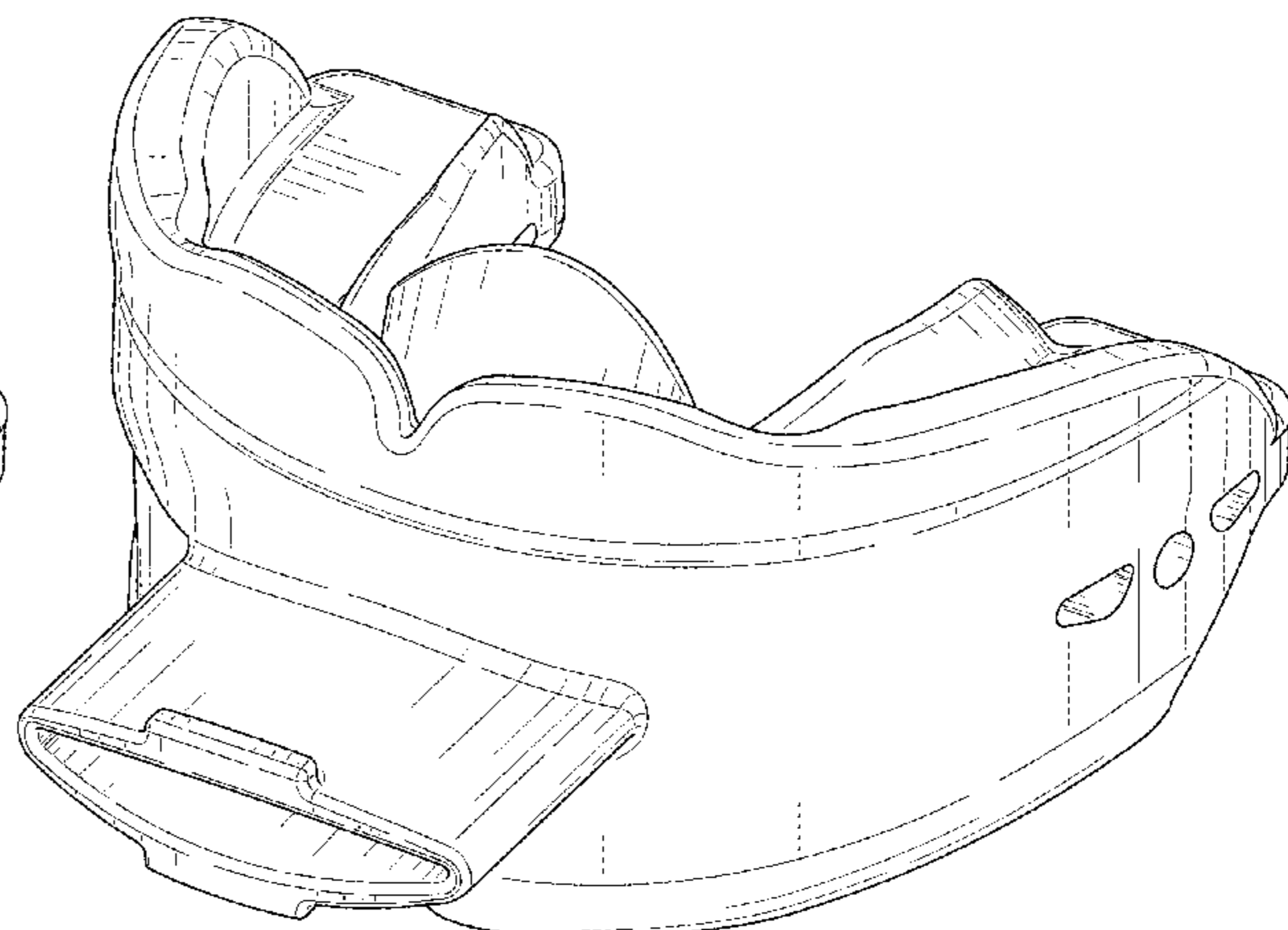
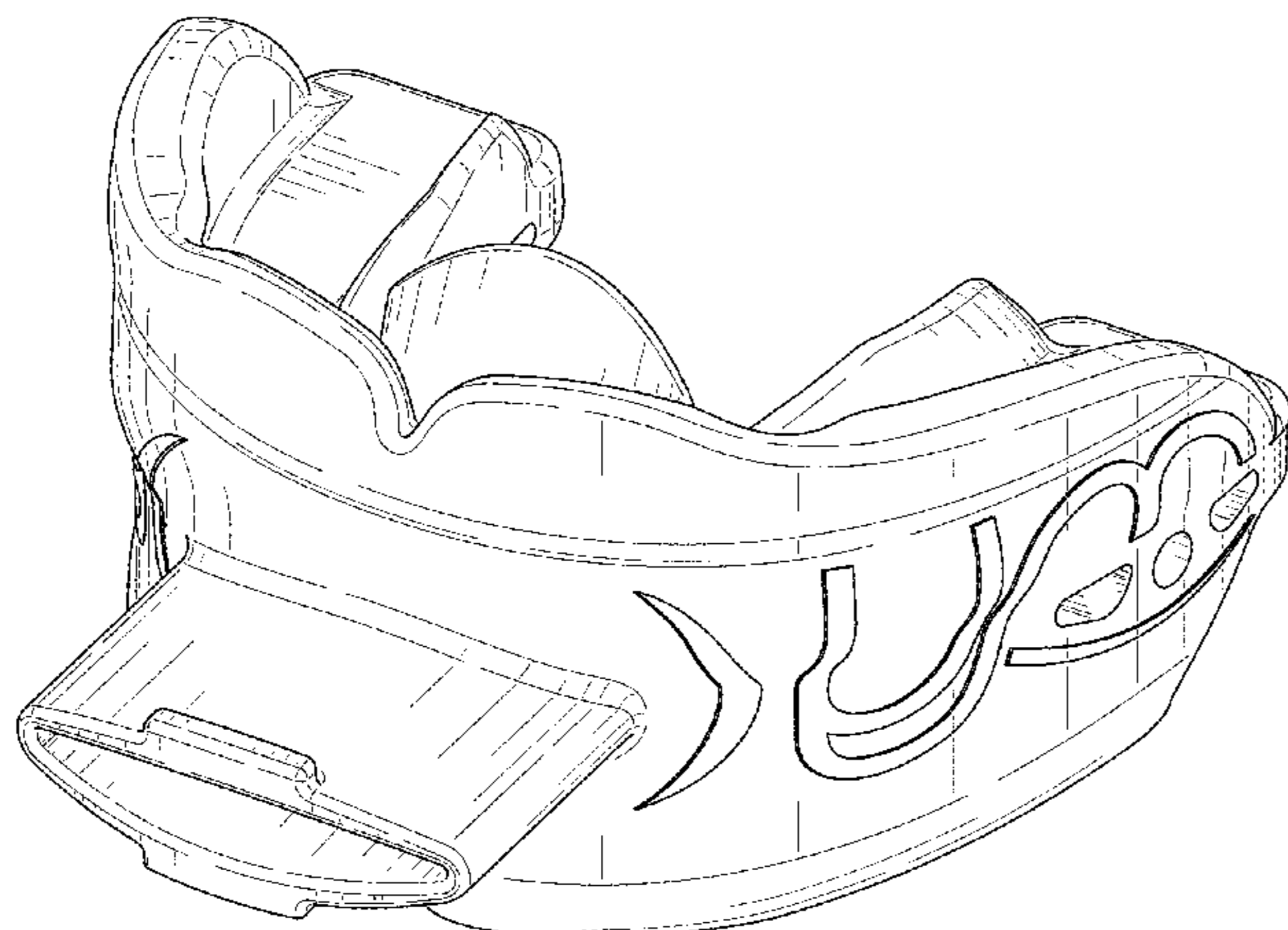


FIG. 20 is a left side view of the oral appliance as shown in FIG. 16;  
 FIG. 21 is a top plan view of the oral appliance as shown in FIG. 16;  
 FIG. 22 is a bottom plan view of the oral appliance as shown in FIG. 16;  
 FIG. 23 is a front perspective view of an oral appliance of a fourth embodiment of the design;  
 FIG. 24 is a rear perspective view of the oral appliance as shown in FIG. 23;  
 FIG. 25 is a front view of the oral appliance as shown in FIG. 23;  
 FIG. 26 is a rear view of the oral appliance as shown in FIG. 23;  
 FIG. 27 is a left side view of the oral appliance as shown in FIG. 23;  
 FIG. 28 is a top plan view of the oral appliance as shown in FIG. 23;  
 FIG. 29 is a bottom plan view of the oral appliance as shown in FIG. 23;  
 FIG. 30 is a front perspective view of an oral appliance of a fifth embodiment of the design;  
 FIG. 31 is a rear perspective view of the oral appliance as shown in FIG. 30;  
 FIG. 32 is a front view of the oral appliance as shown in FIG. 30;  
 FIG. 33 is a rear view of the oral appliance as shown in FIG. 30;  
 FIG. 34 is a left side view of the oral appliance as shown in FIG. 30;  
 FIG. 35 is a top plan view of the oral appliance as shown in FIG. 30; and,  
 FIG. 36 is a bottom plan view of the oral appliance shown in FIG. 30.

1 Claim, 31 Drawing Sheets

(58) **Field of Classification Search**

CPC ..... A61F 5/56; A61F 5/566; A61F 2005/563;  
 A61C 7/08; A61C 7/36; A63B 71/085;  
 A63B 2071/086

See application file for complete search history.

(56) **References Cited**

U.S. PATENT DOCUMENTS

9,717,975	B2 *	8/2017	Evans	.....	A63B 71/085
D800,317	S *	10/2017	Farrell	.....	D24/181
D867,673	S *	11/2019	Turkbas	.....	D29/108
D869,774	S *	12/2019	Turkbas	.....	D29/108
D904,620	S *	12/2020	Farrell	.....	D24/181
D909,586	S *	2/2021	Farrell	.....	D24/181
2008/0257358	A1	10/2008	Stern et al.		
2010/0311003	A1	12/2010	Kozlov		
2020/0215384	A1 *	7/2020	Farrell	.....	A61C 7/08
2021/0162156	A1 *	6/2021	Farrell	.....	A61C 7/36

FOREIGN PATENT DOCUMENTS

AU	D201813963		8/2018
AU	D201813964		8/2018
AU	D201813965		8/2018
AU	D201813151		1/2019
AU	D201813153		1/2019
AU	D201813152		3/2019
AU	D201910344		3/2019
AU	D201910345		3/2019
JP	D1629348	*	11/2018
WO	2012155214	A1	11/2012
WO	2015149127	A1	10/2015
WO	2017020079	A1	2/2017
WO	2017165918	A1	10/2017
WO	2018098527	A1	6/2018
WO	2019051545	A1	3/2019

\* cited by examiner

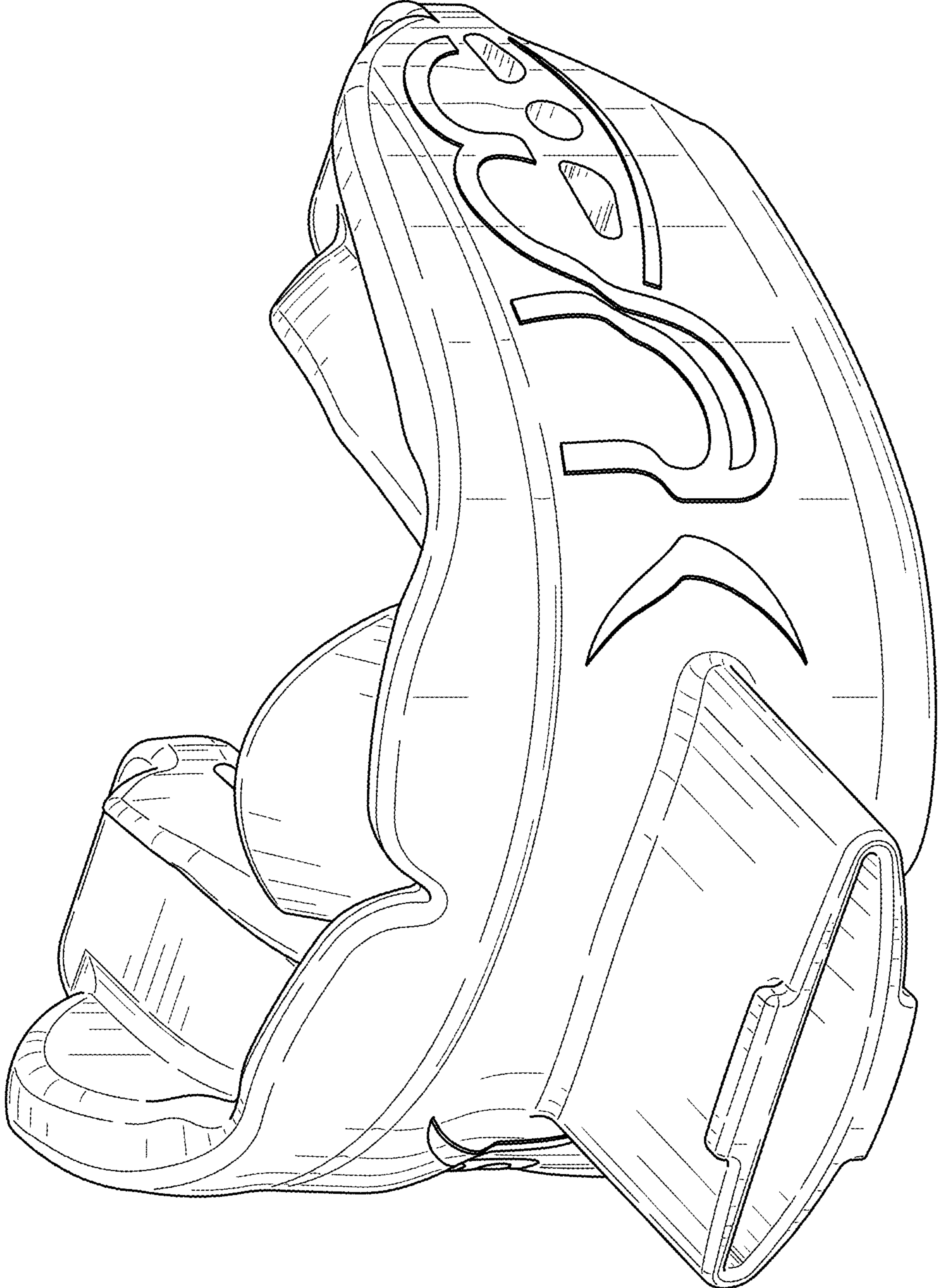


FIG. 1

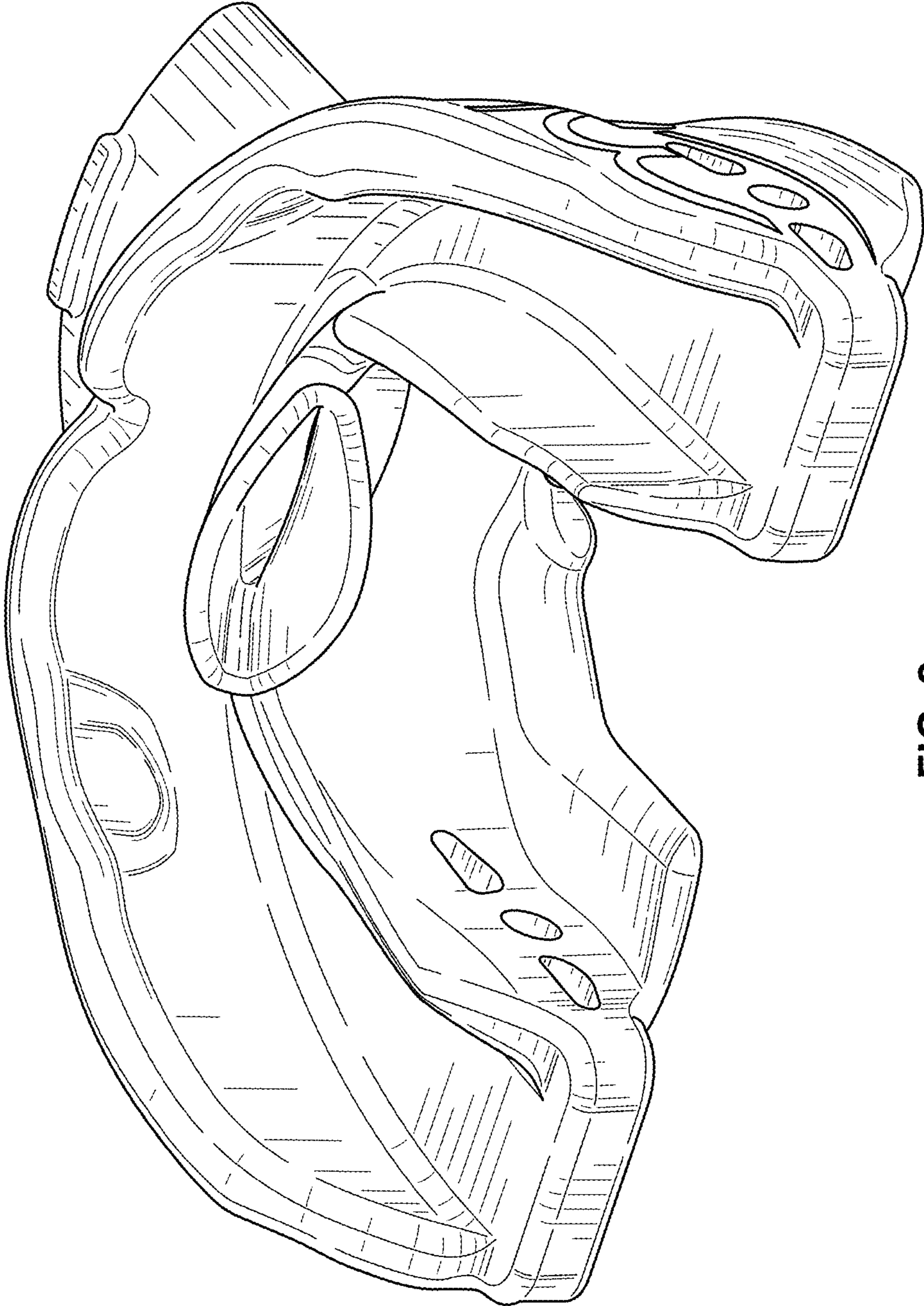


FIG. 2

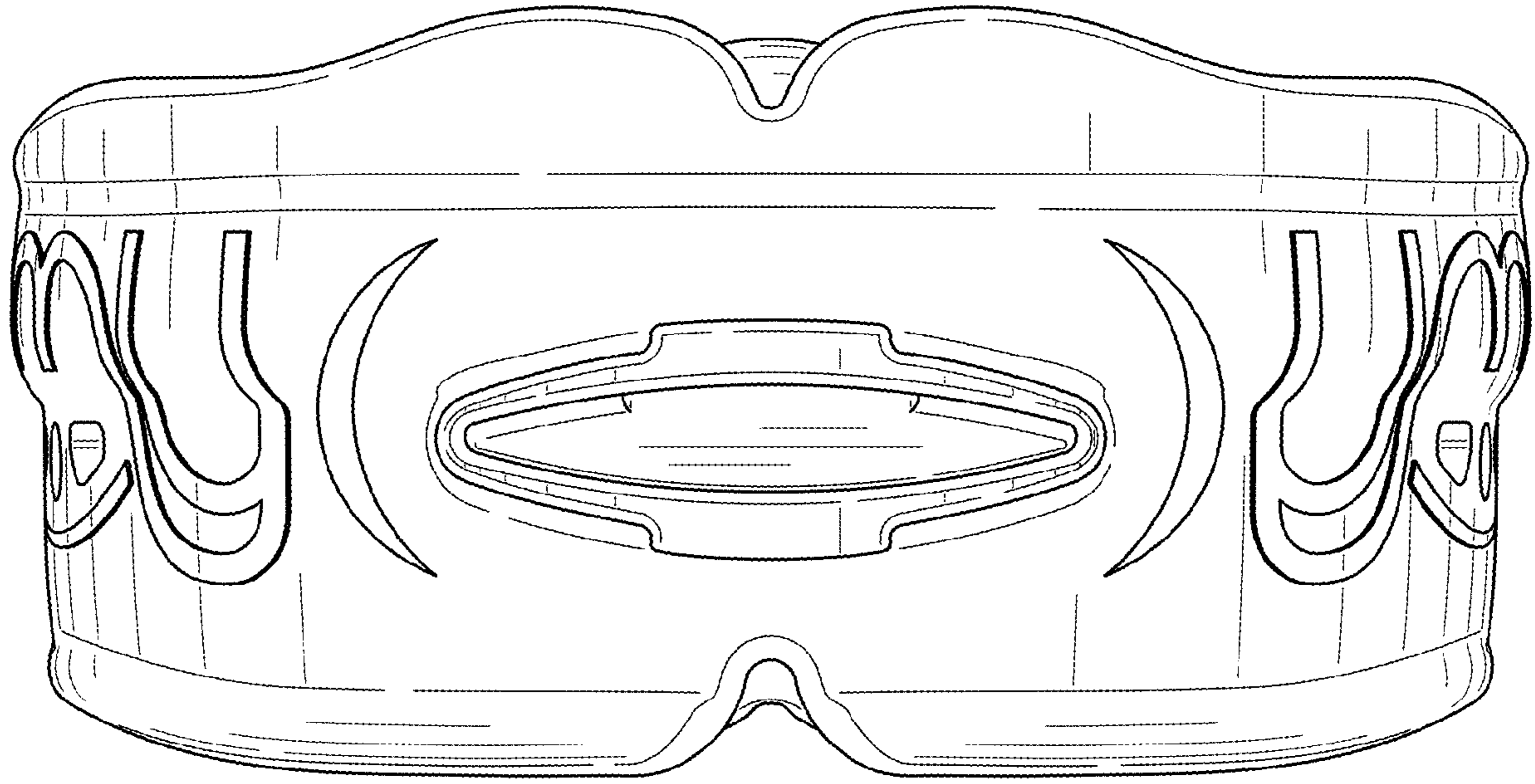


FIG. 3

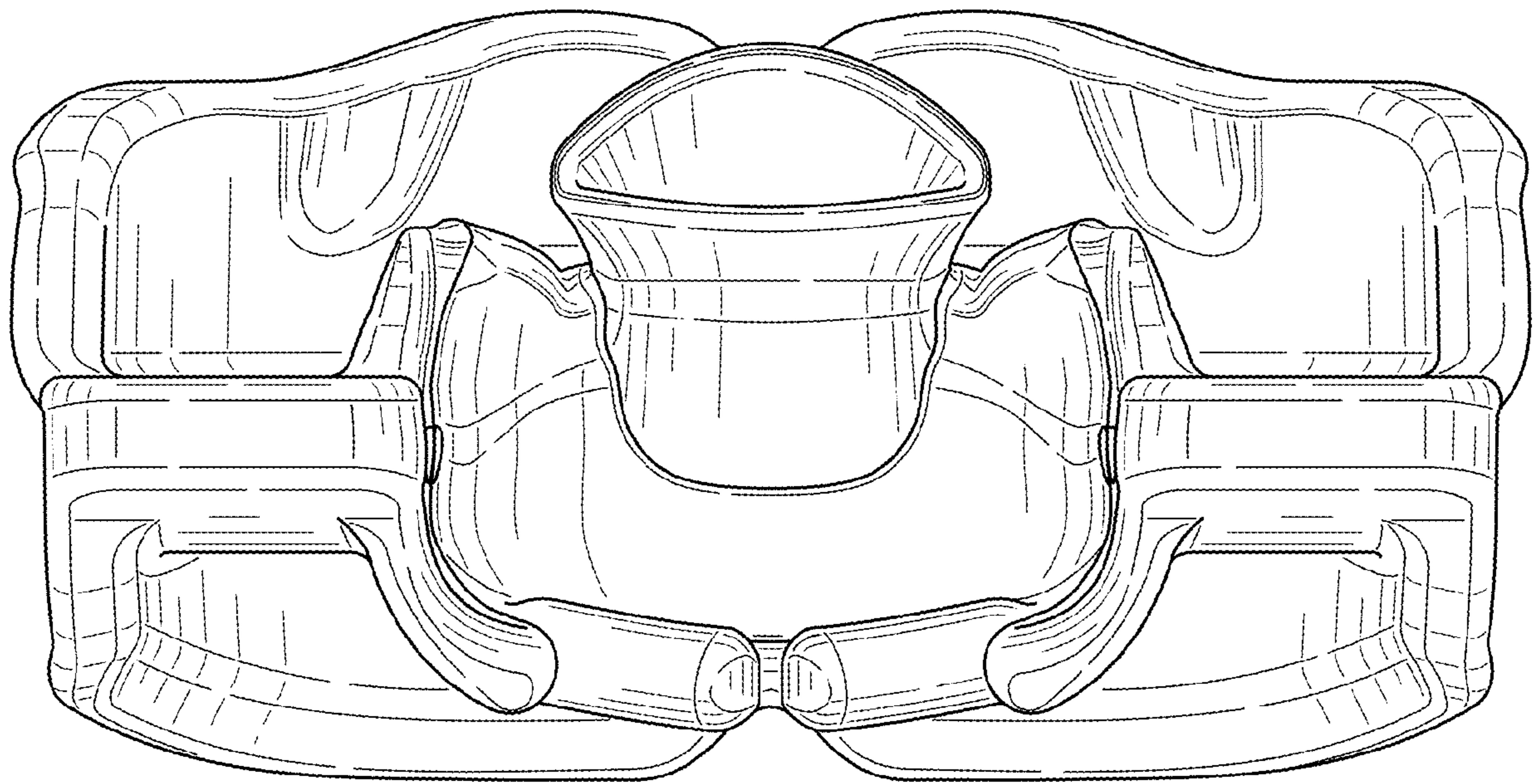


FIG. 4

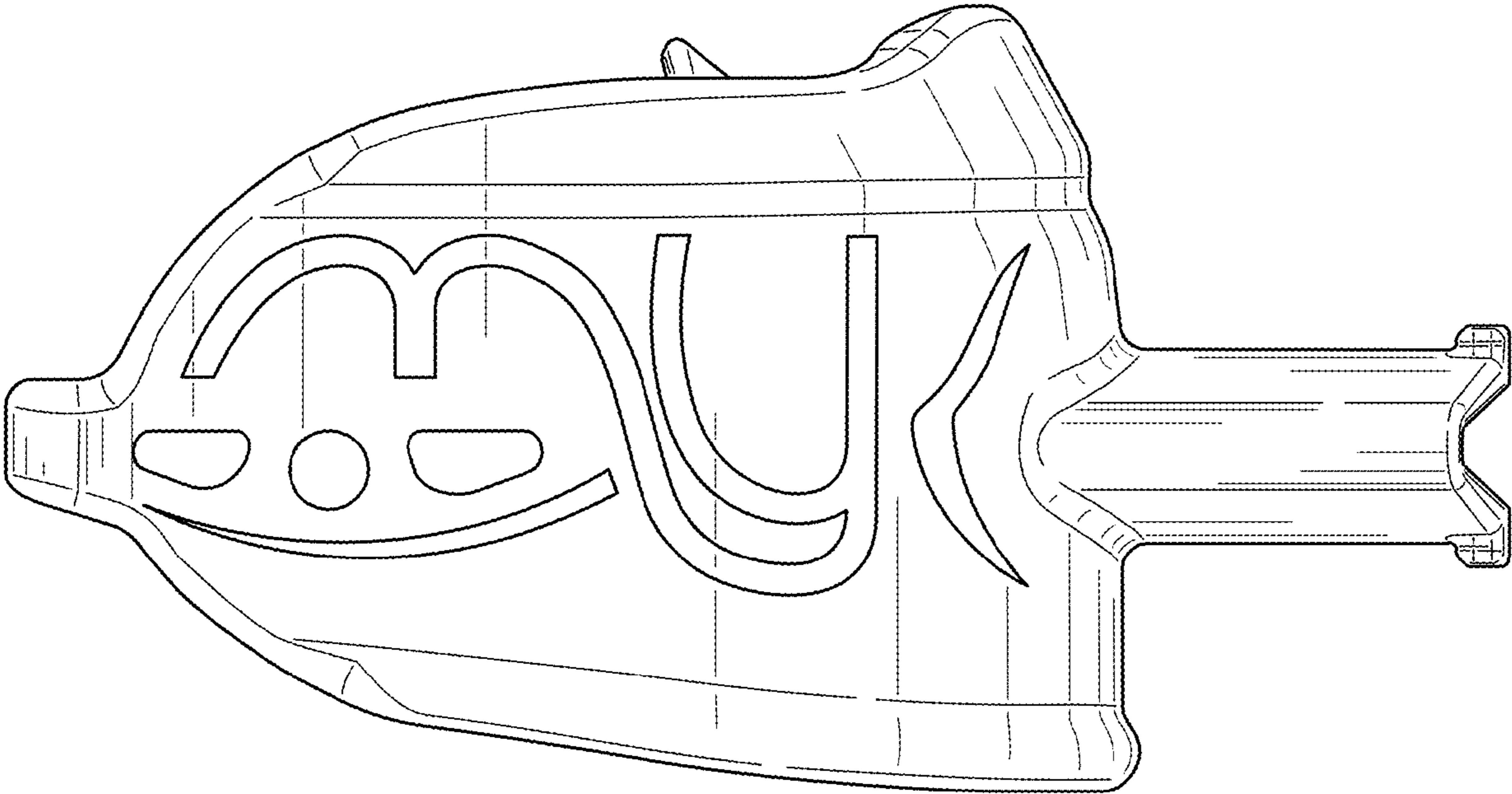


FIG. 5

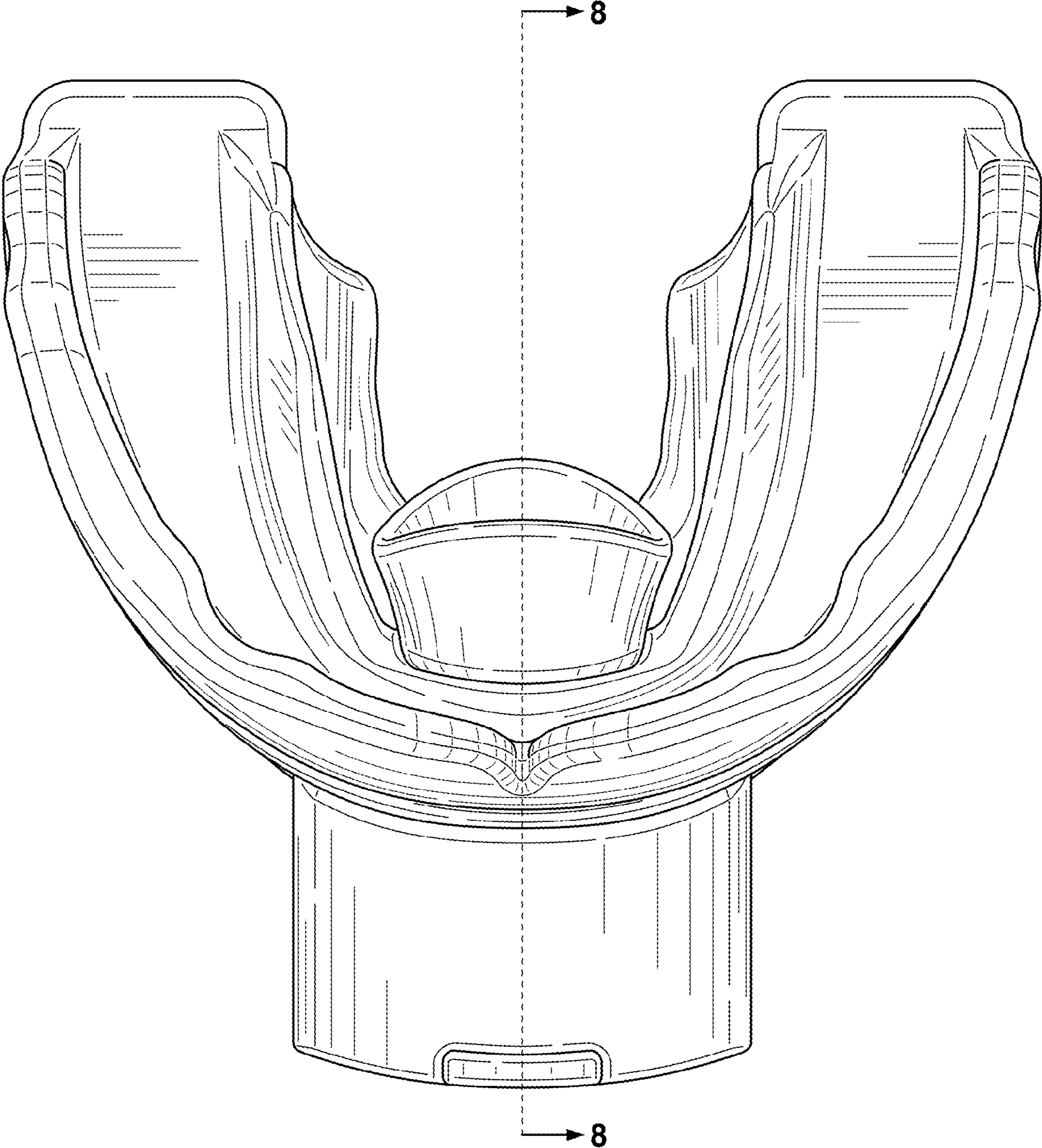


FIG. 6

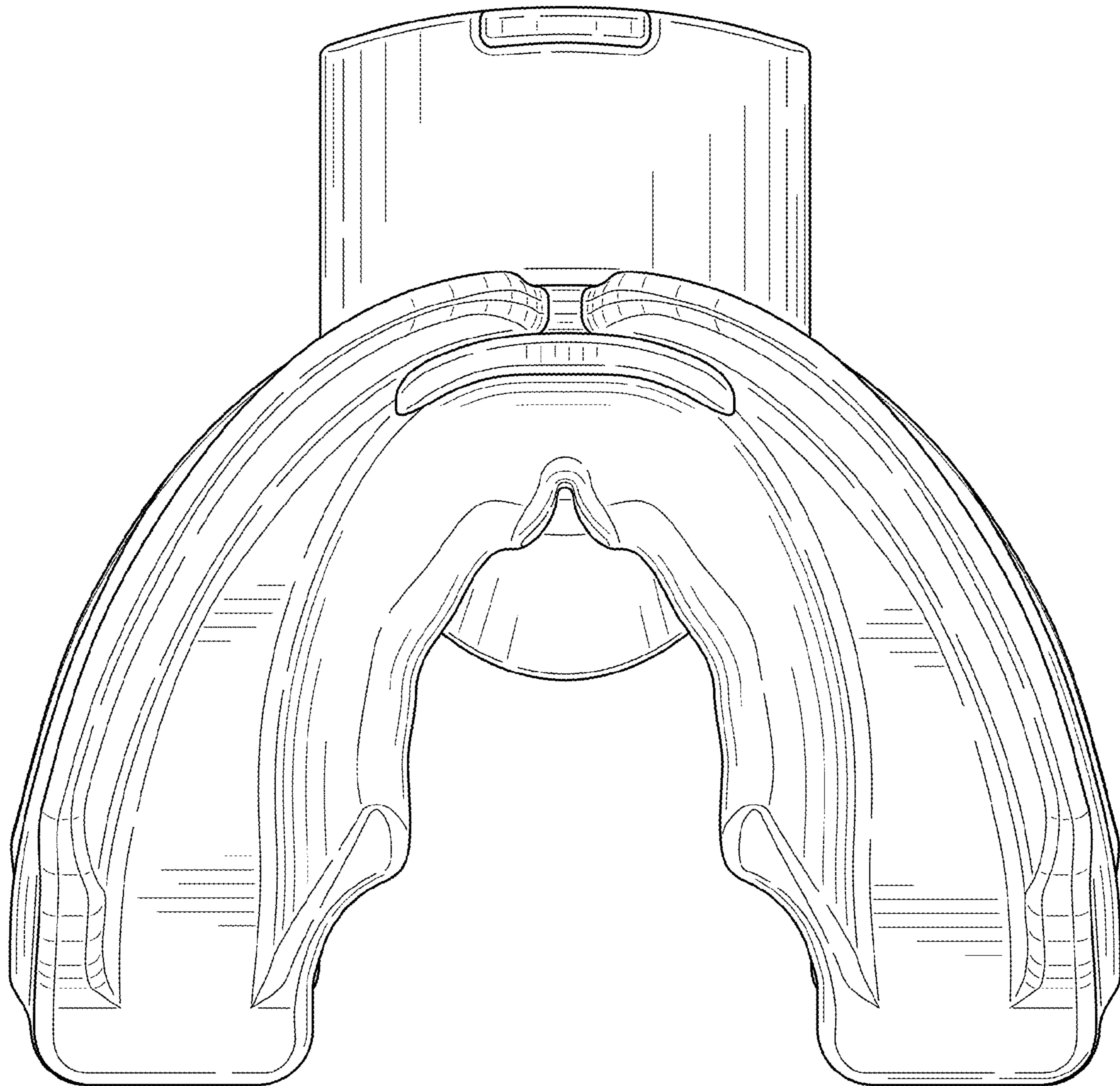


FIG. 7



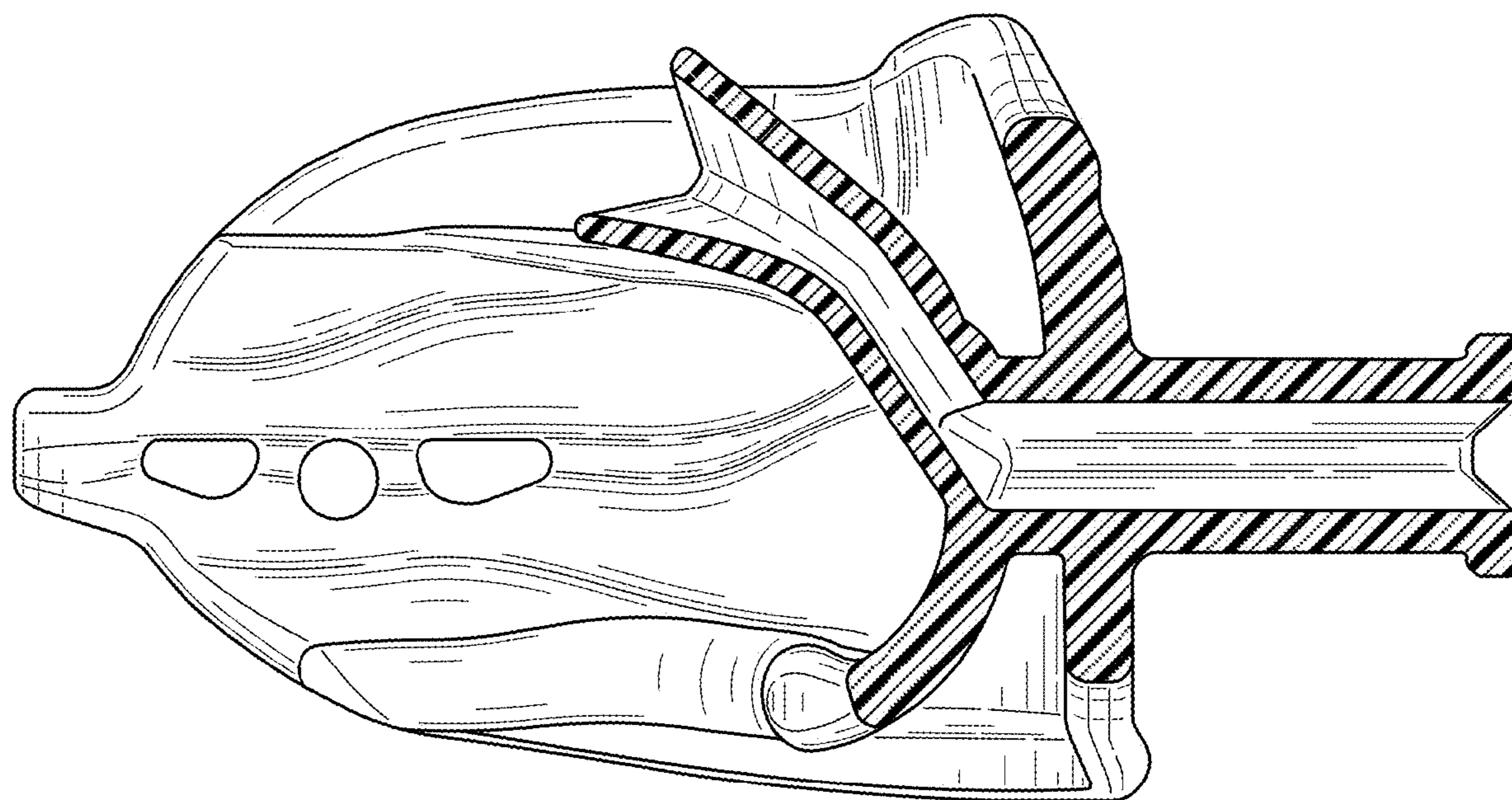


FIG. 8

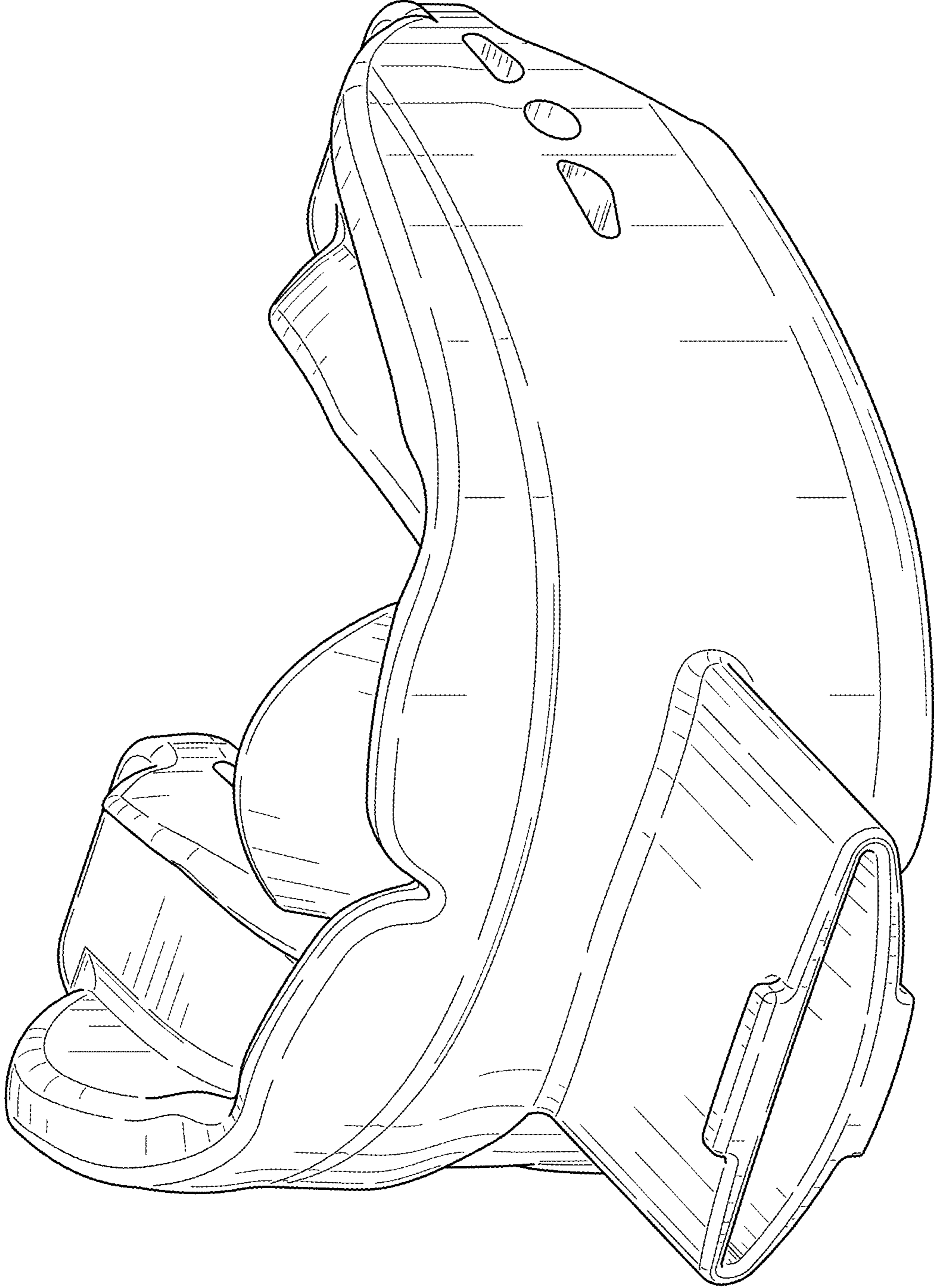


FIG. 9

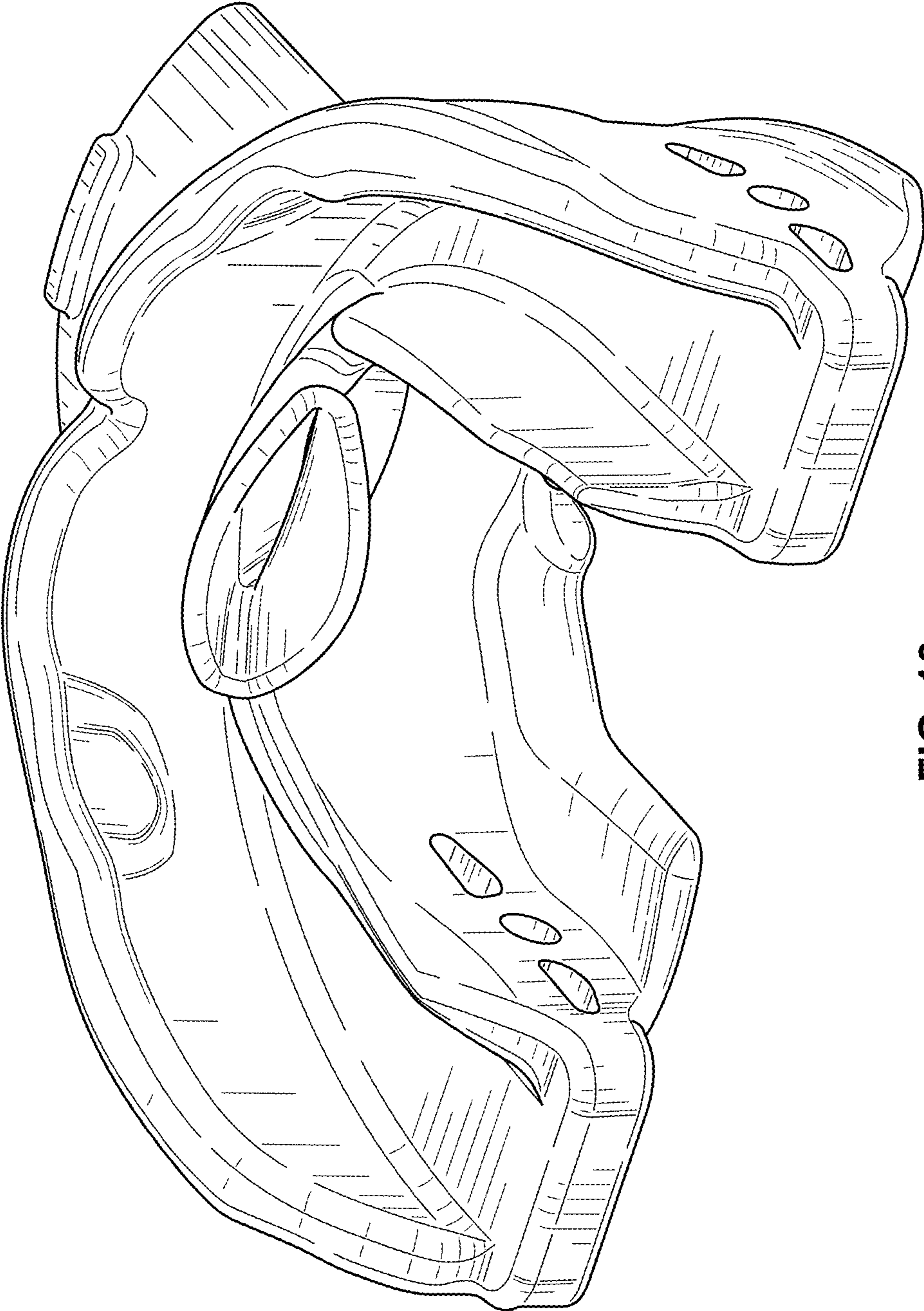


FIG. 10

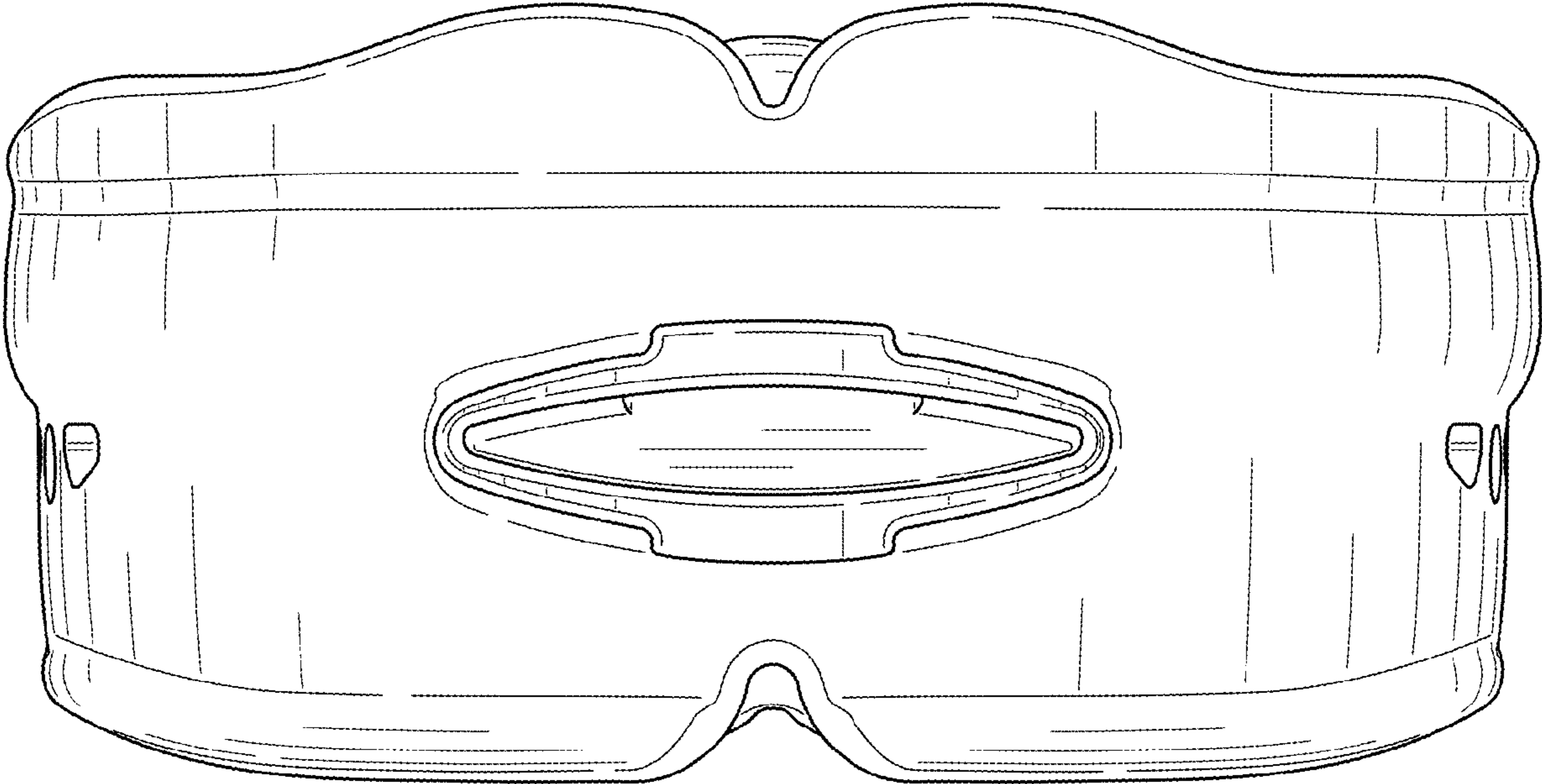


FIG. 11

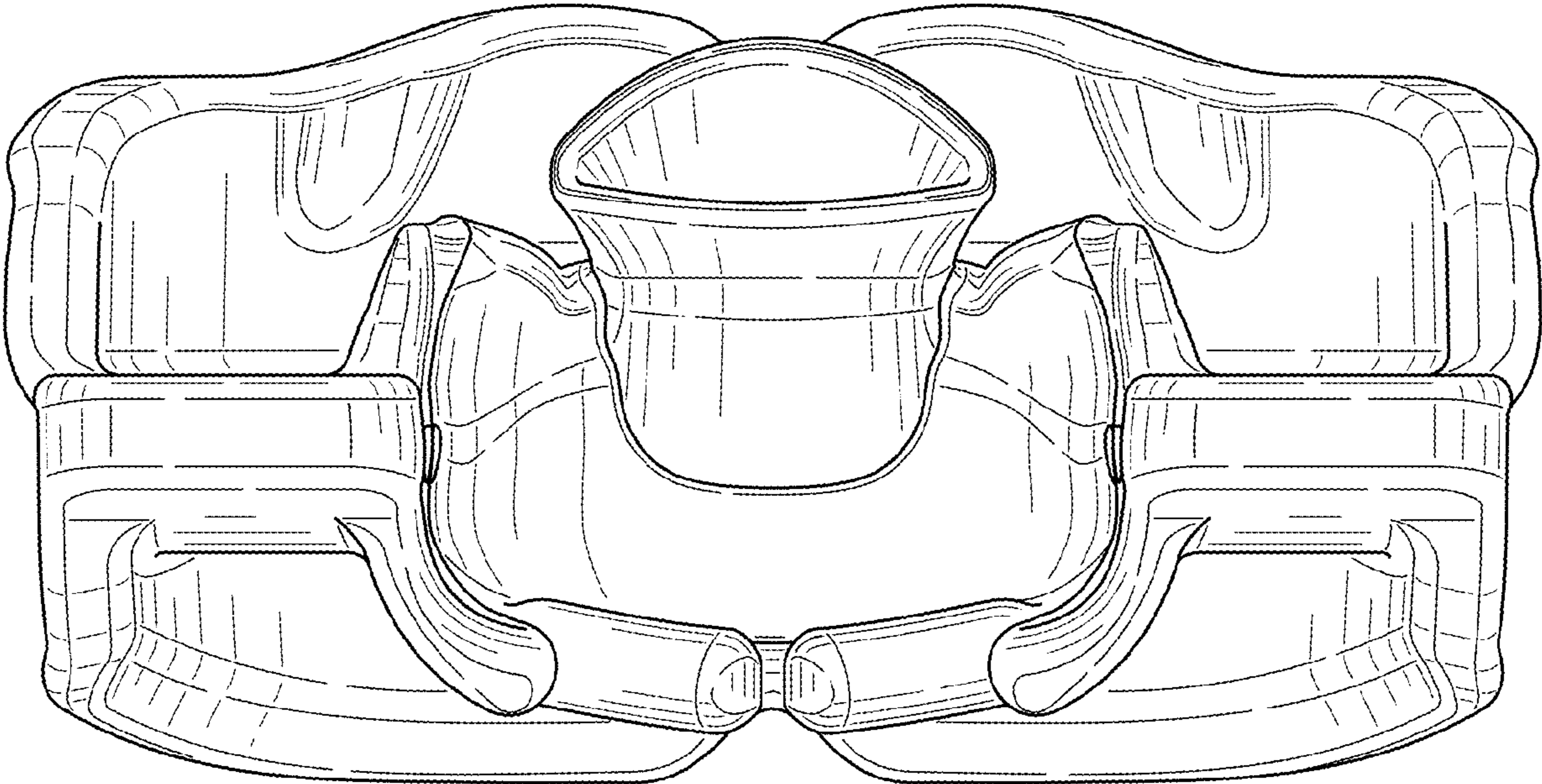


FIG. 12

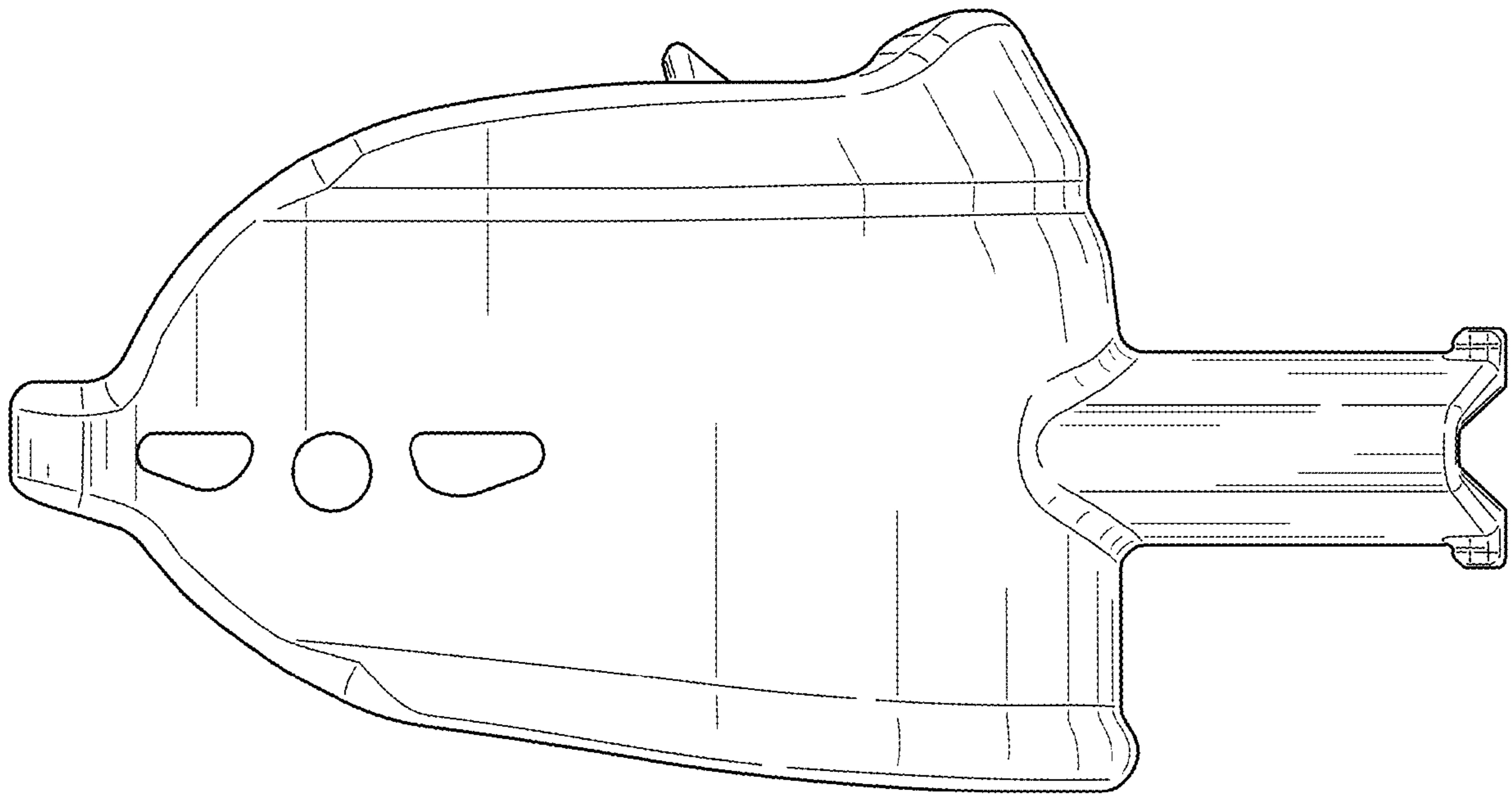


FIG. 13

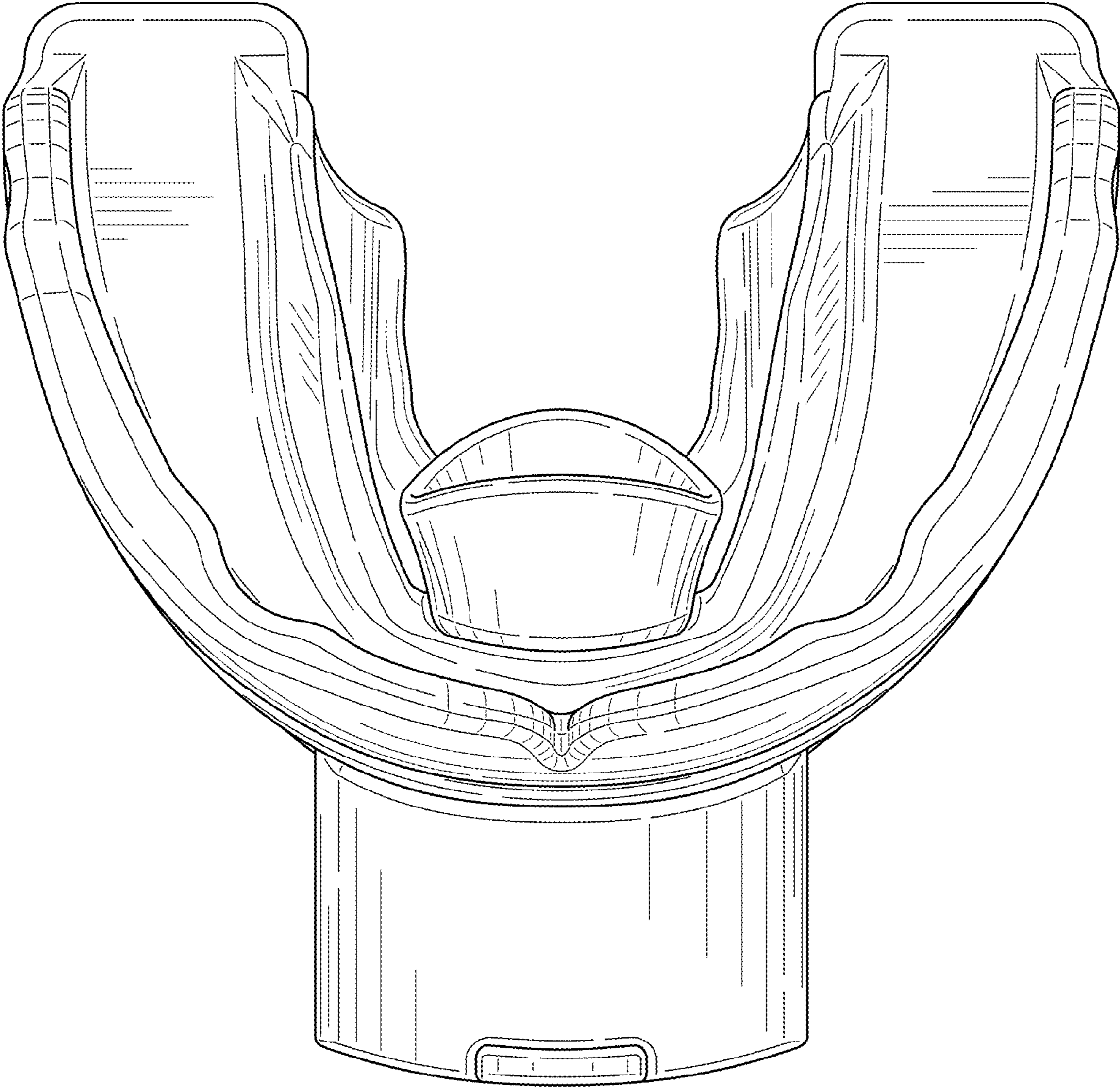


FIG. 14

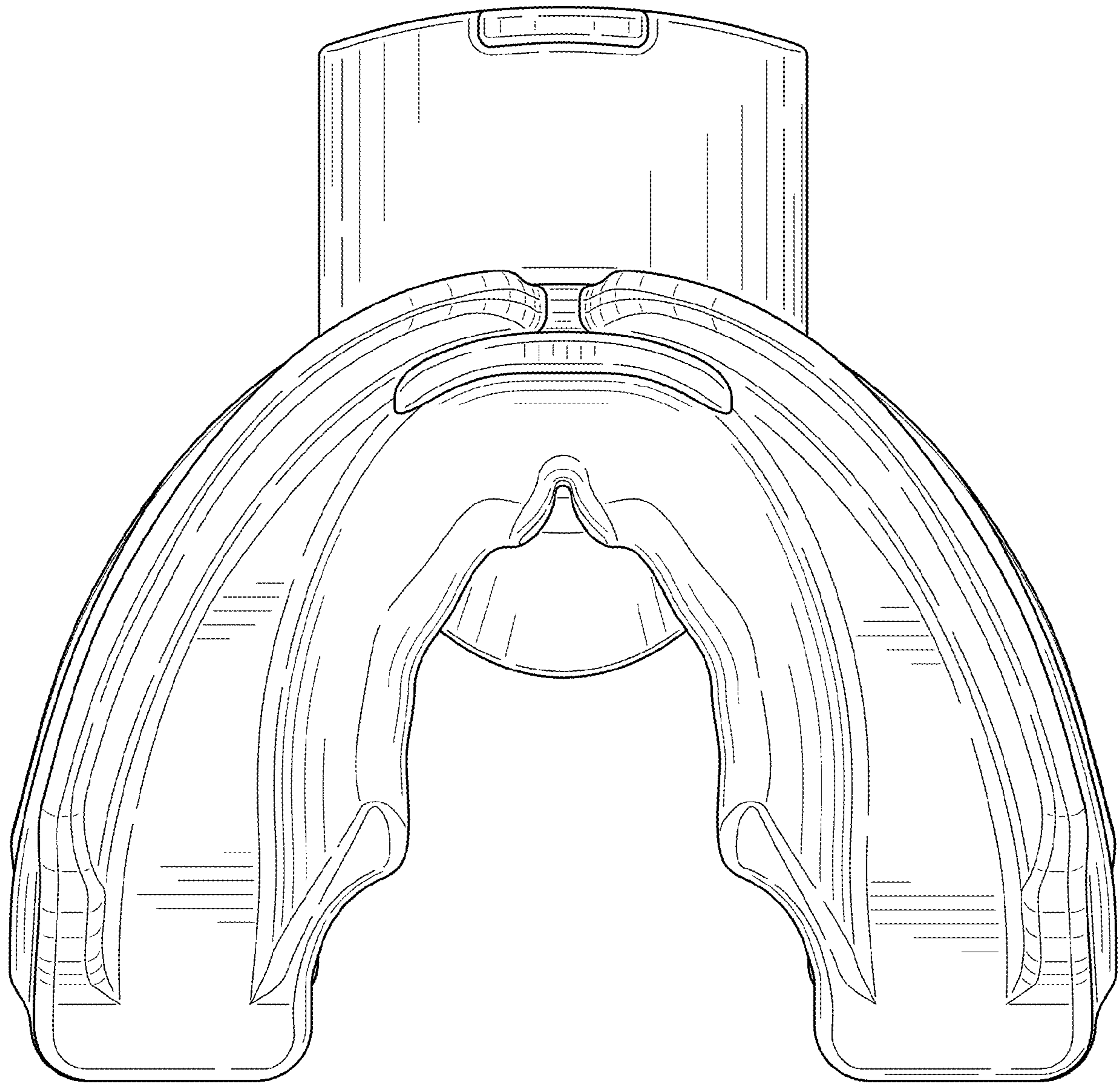


FIG. 15

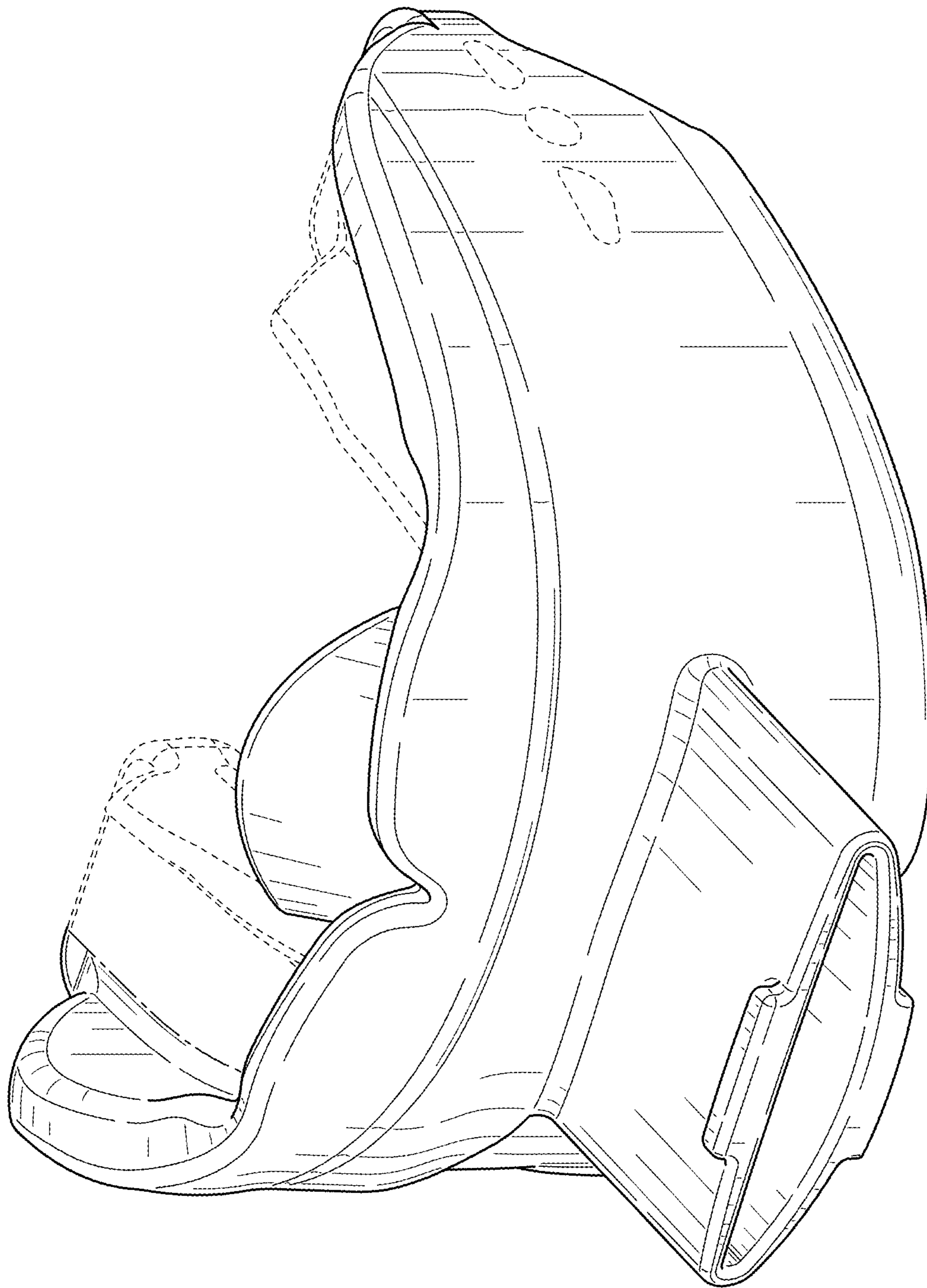


FIG. 16



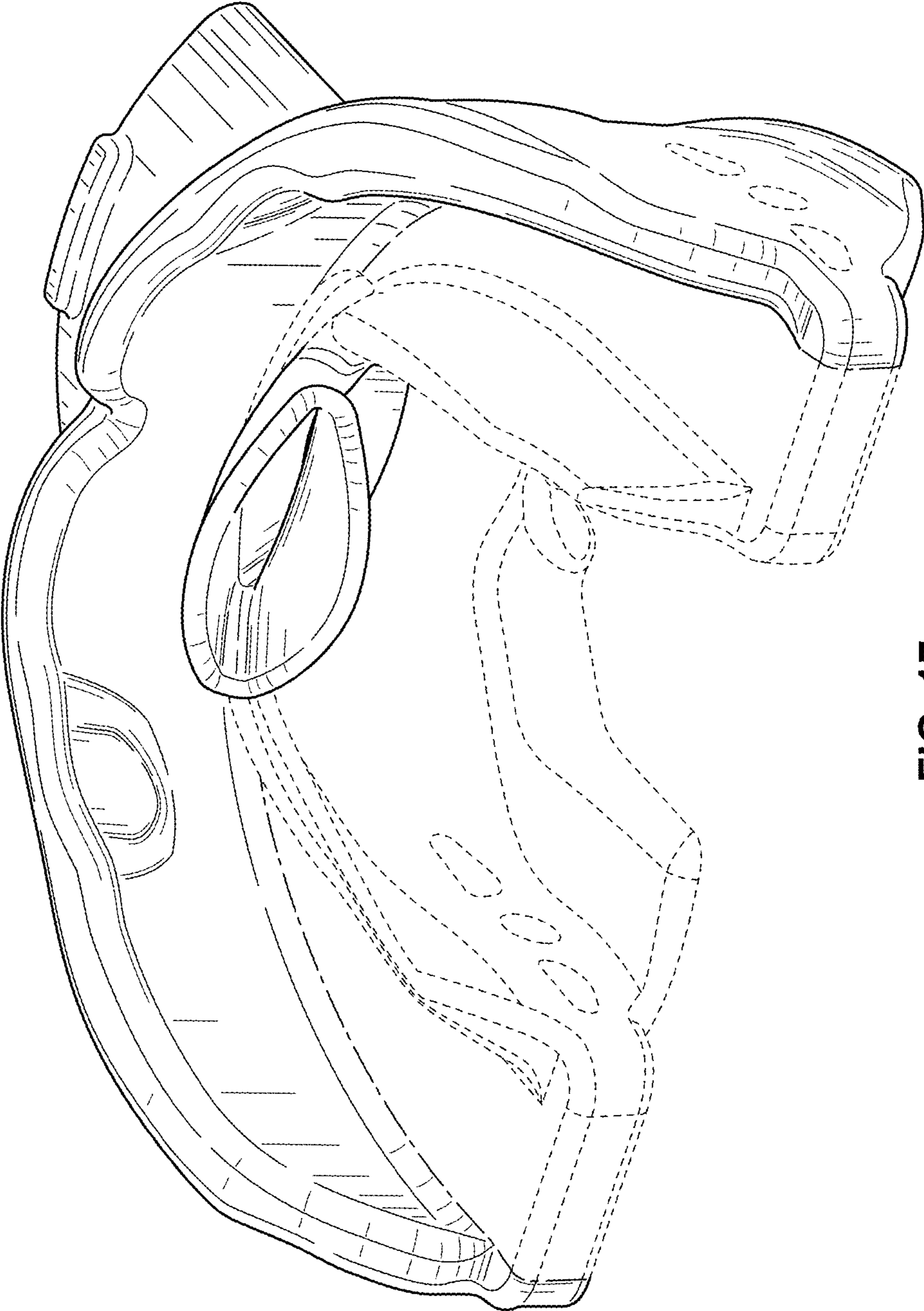


FIG. 17

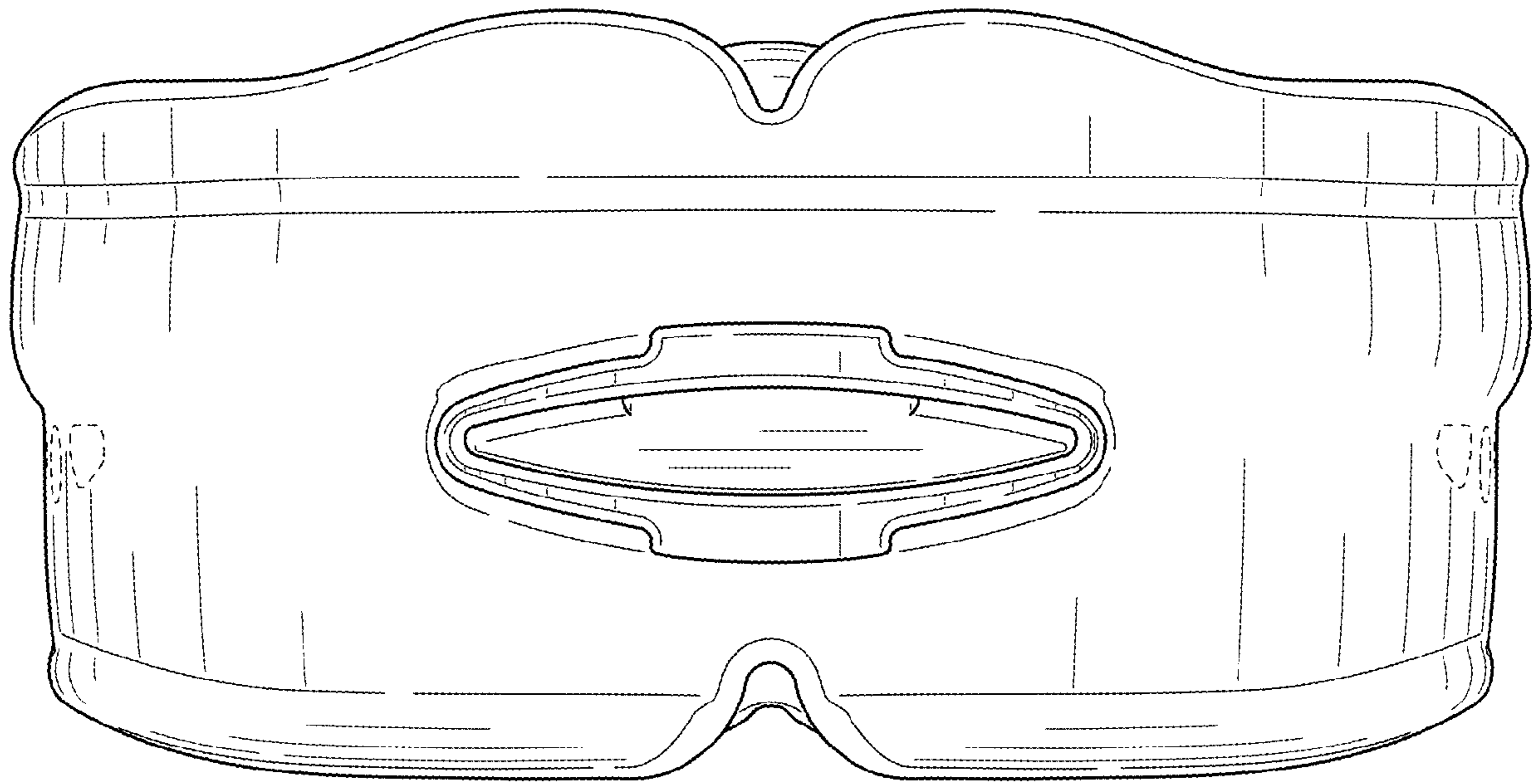


FIG. 18

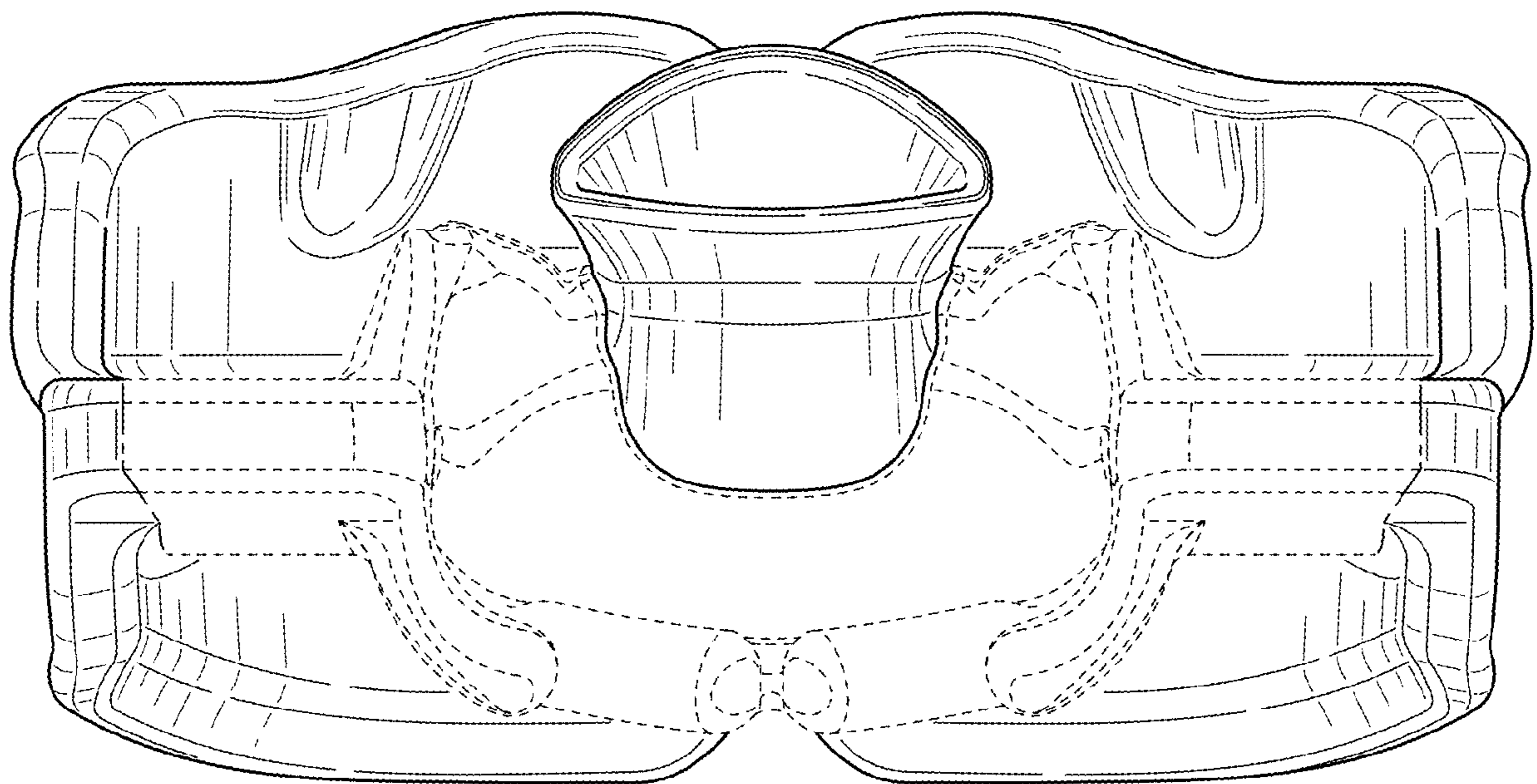


FIG. 19

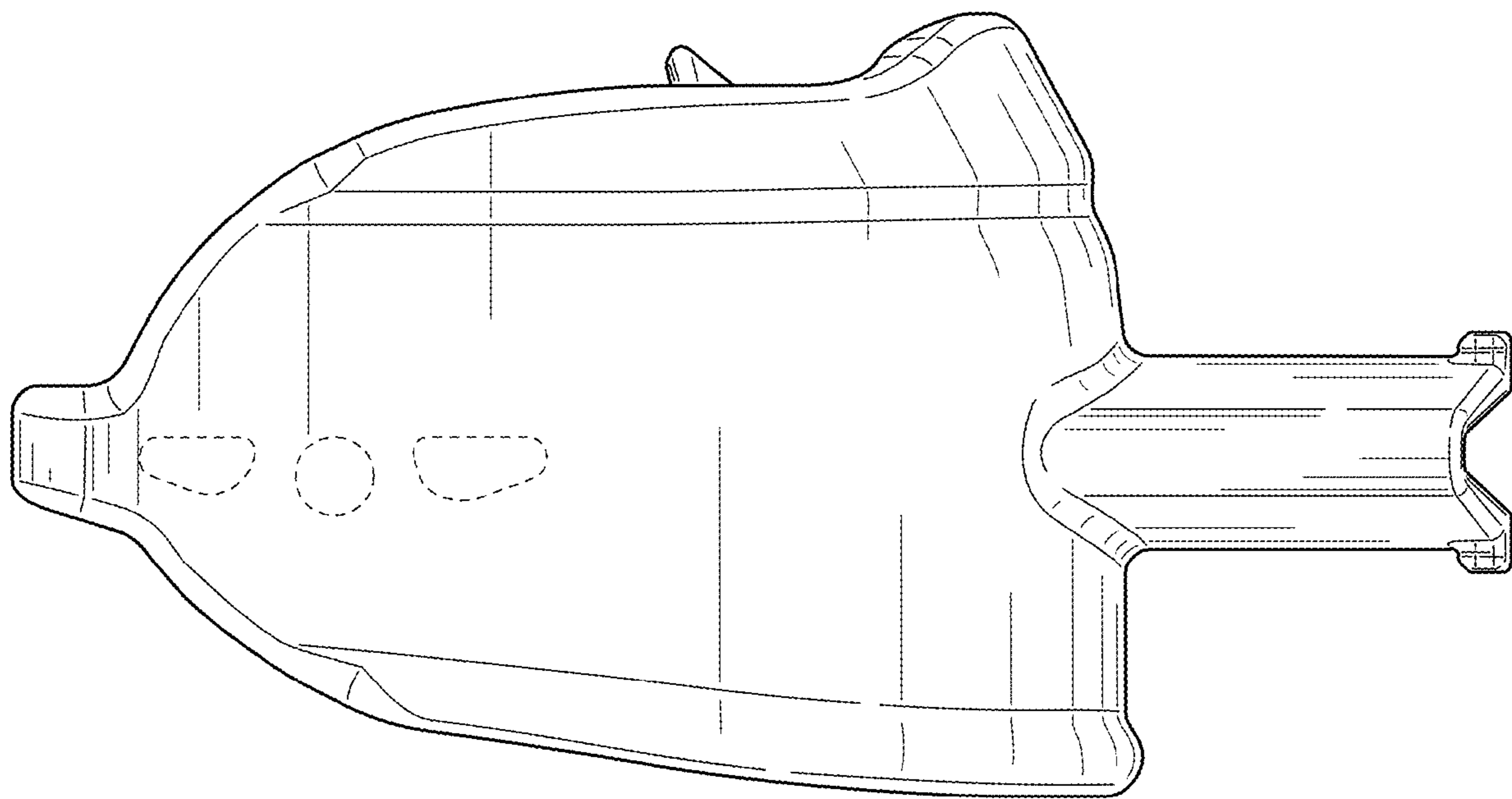


FIG. 20

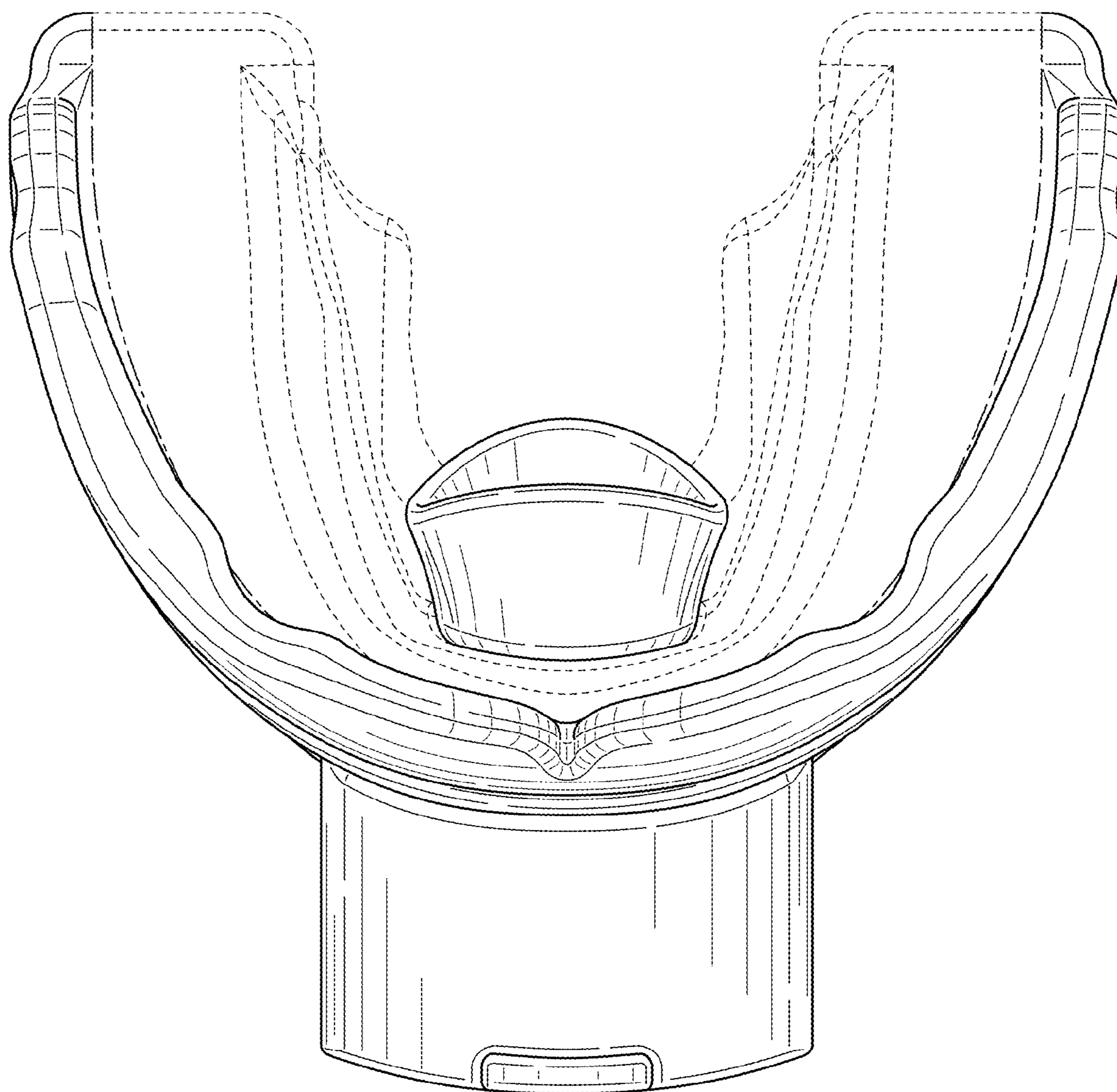


FIG. 21

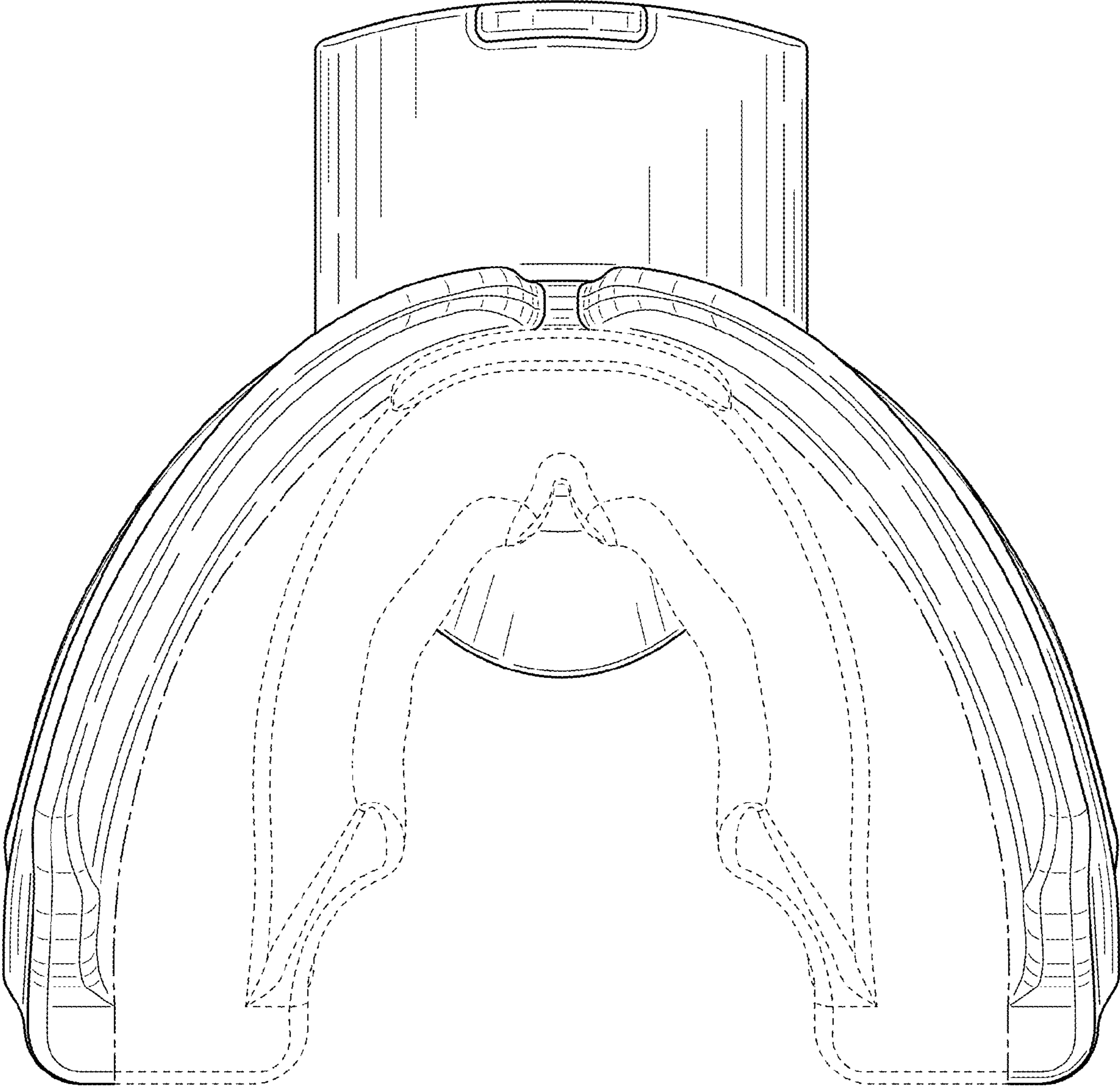


FIG. 22

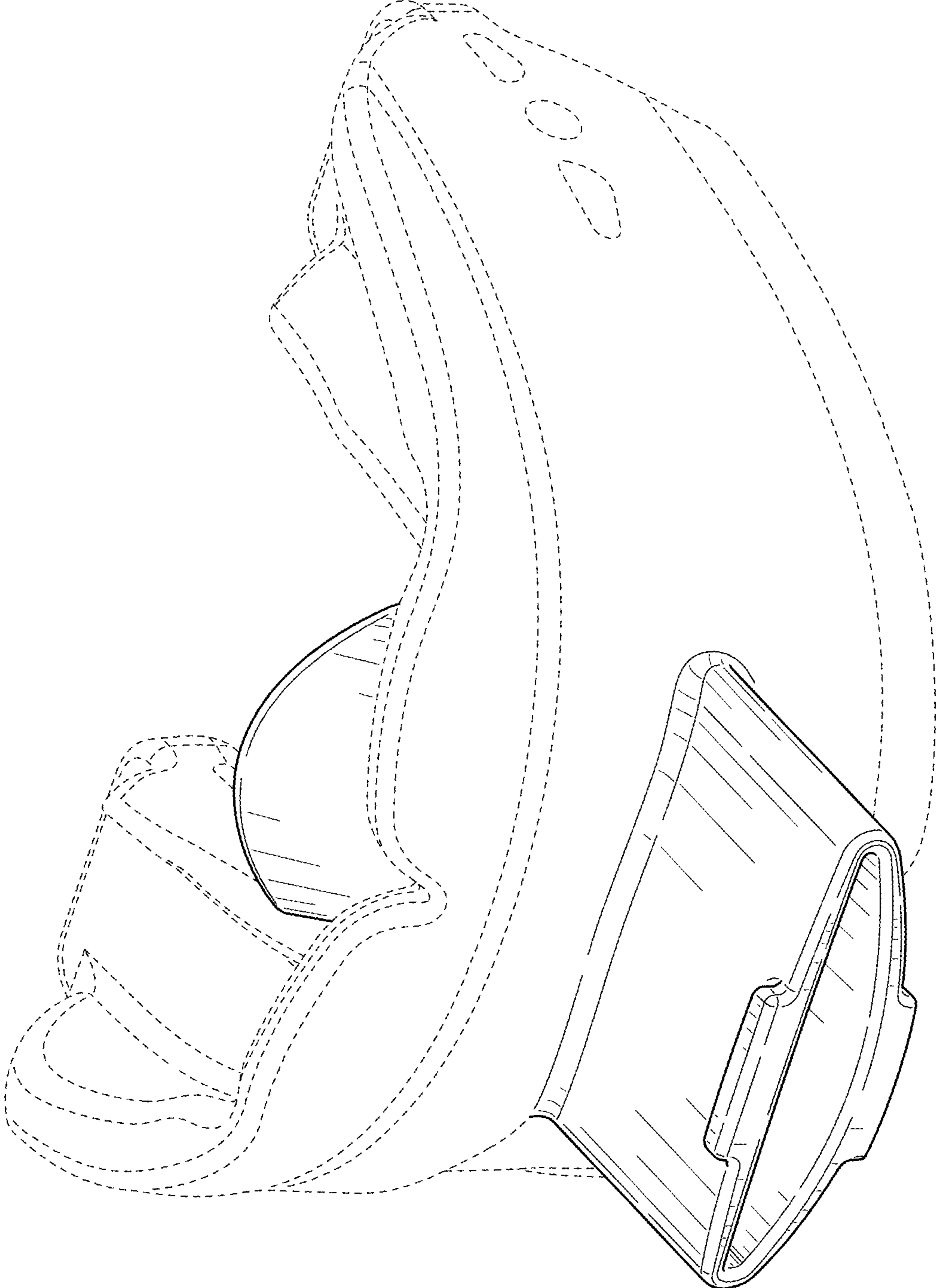


FIG. 23

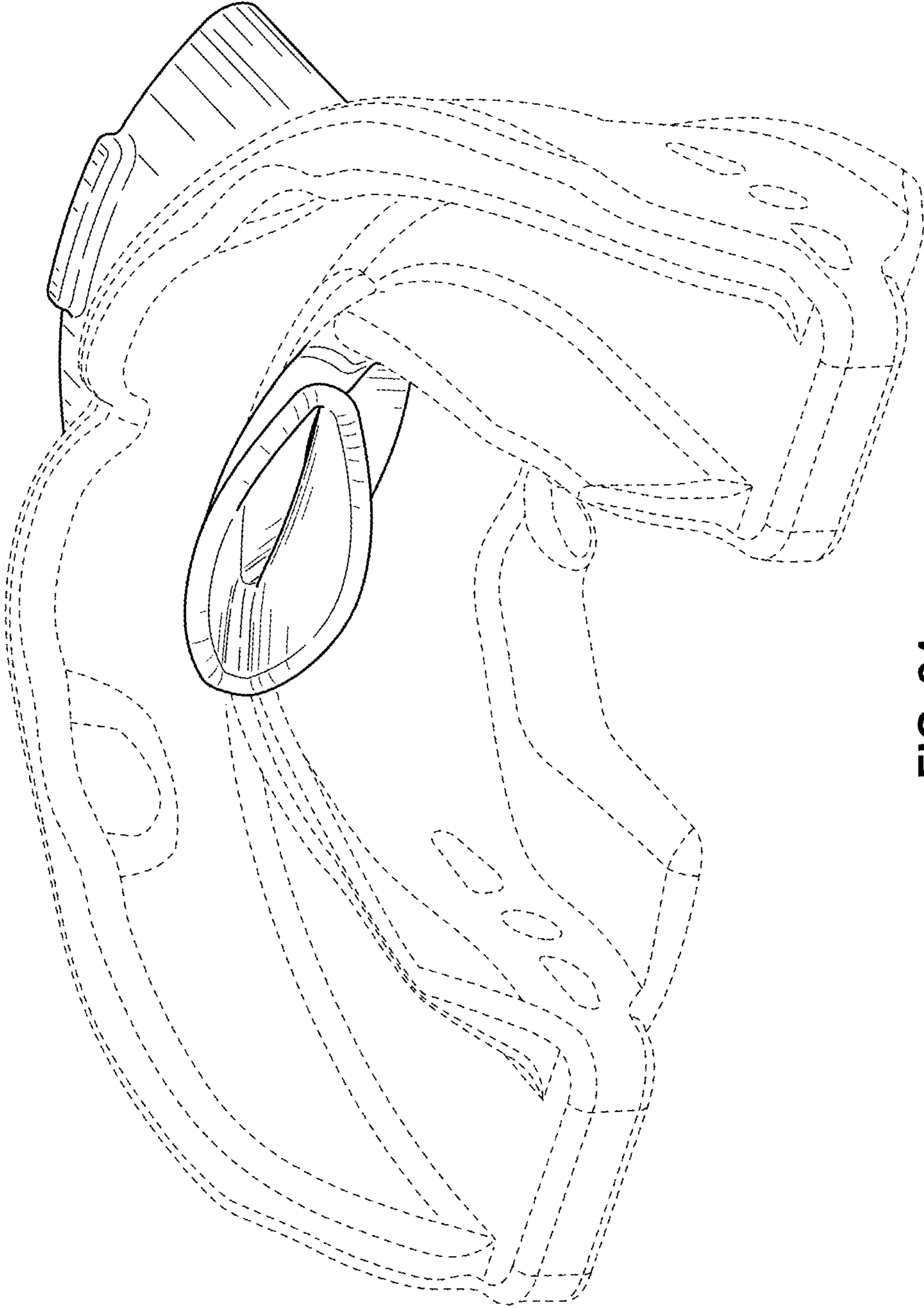


FIG. 24

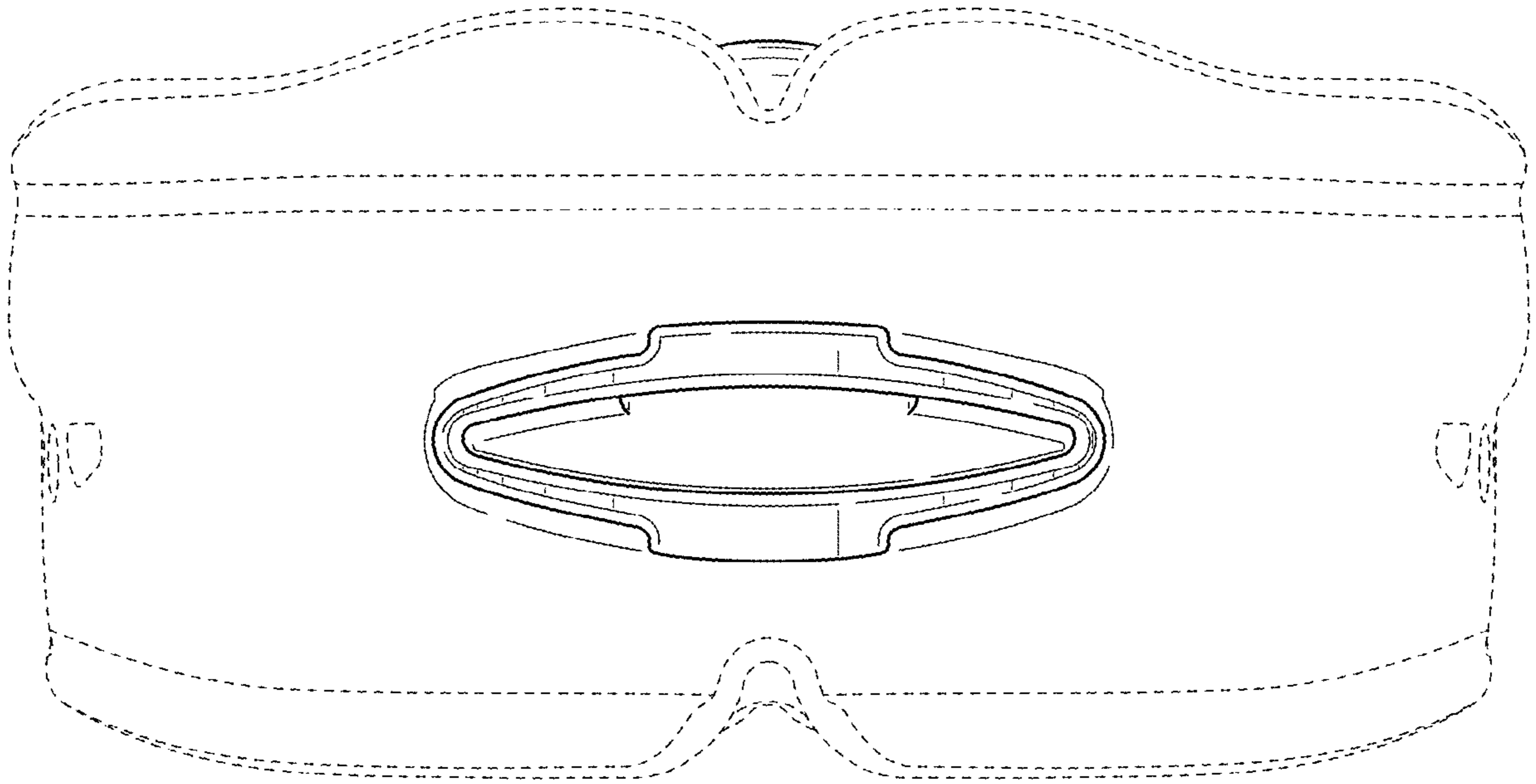


FIG. 25

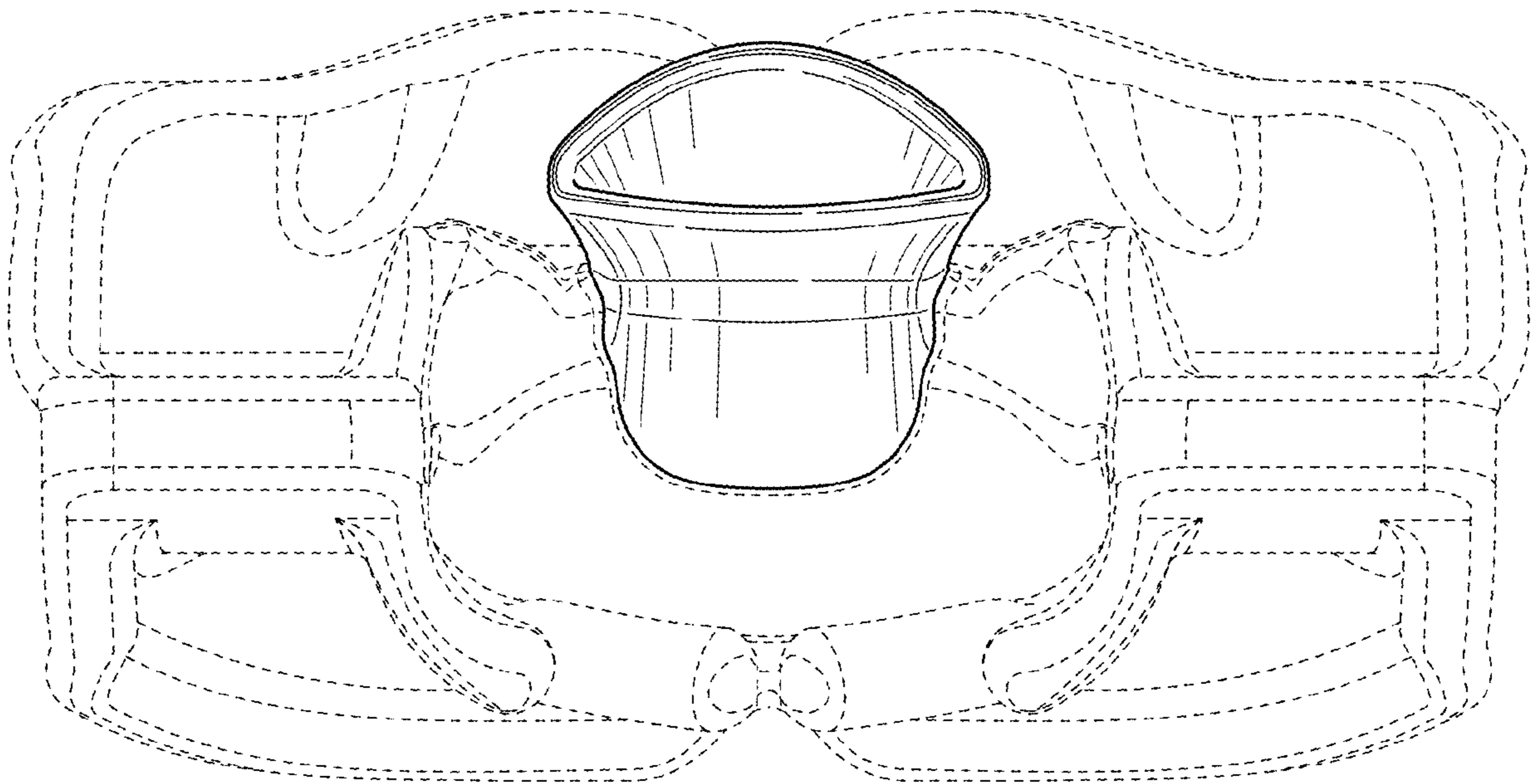


FIG. 26



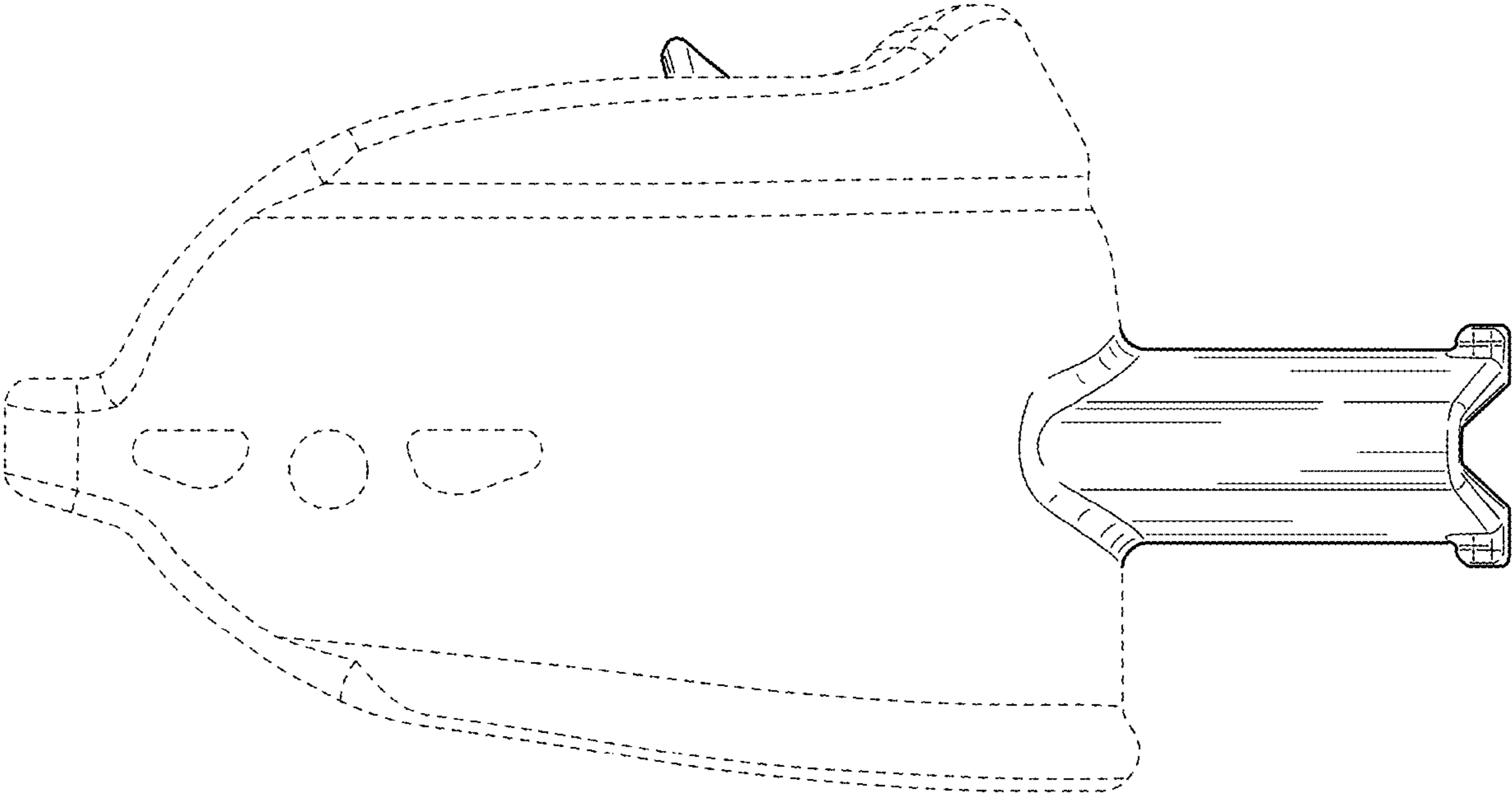


FIG. 27

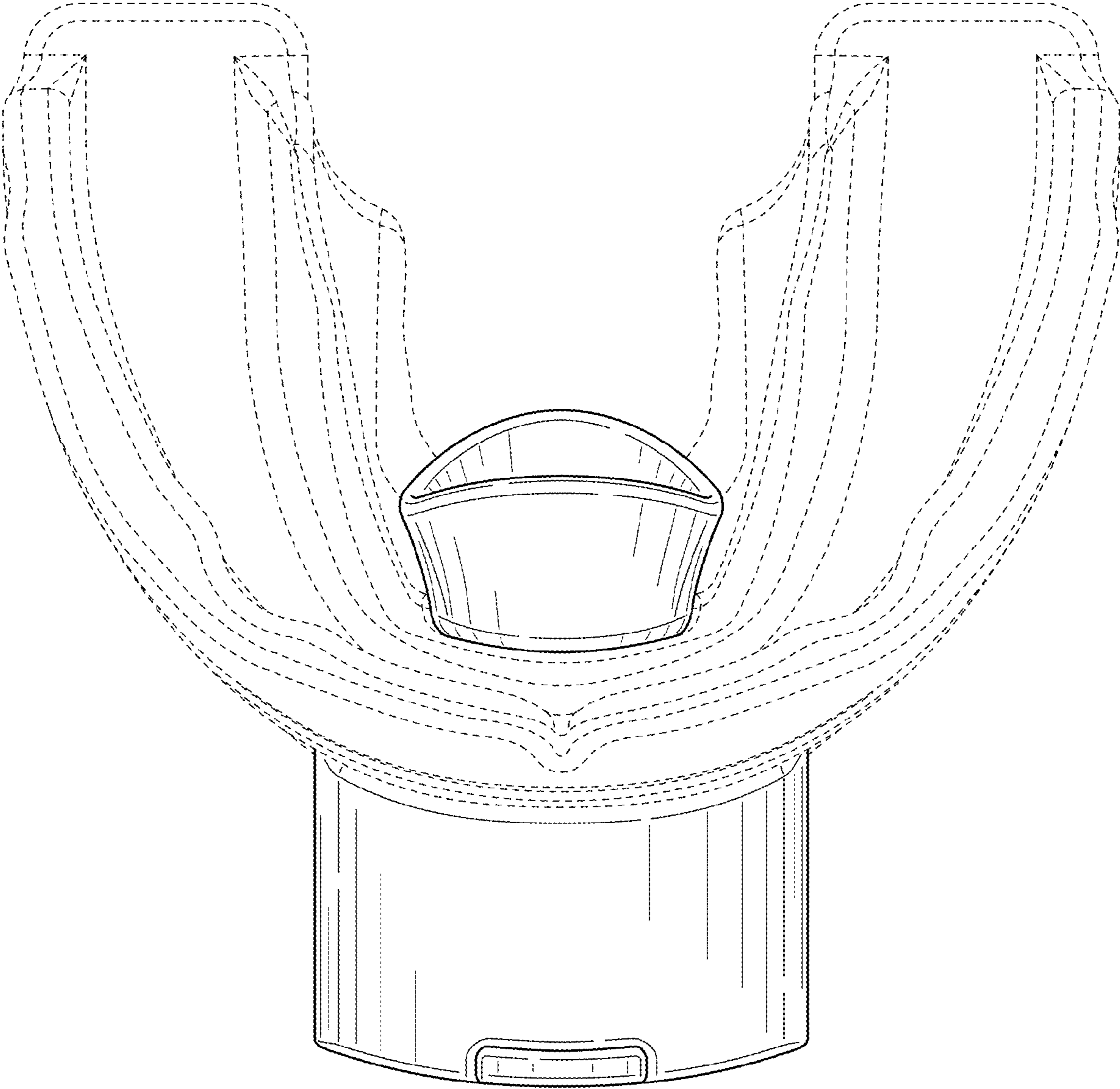


FIG. 28

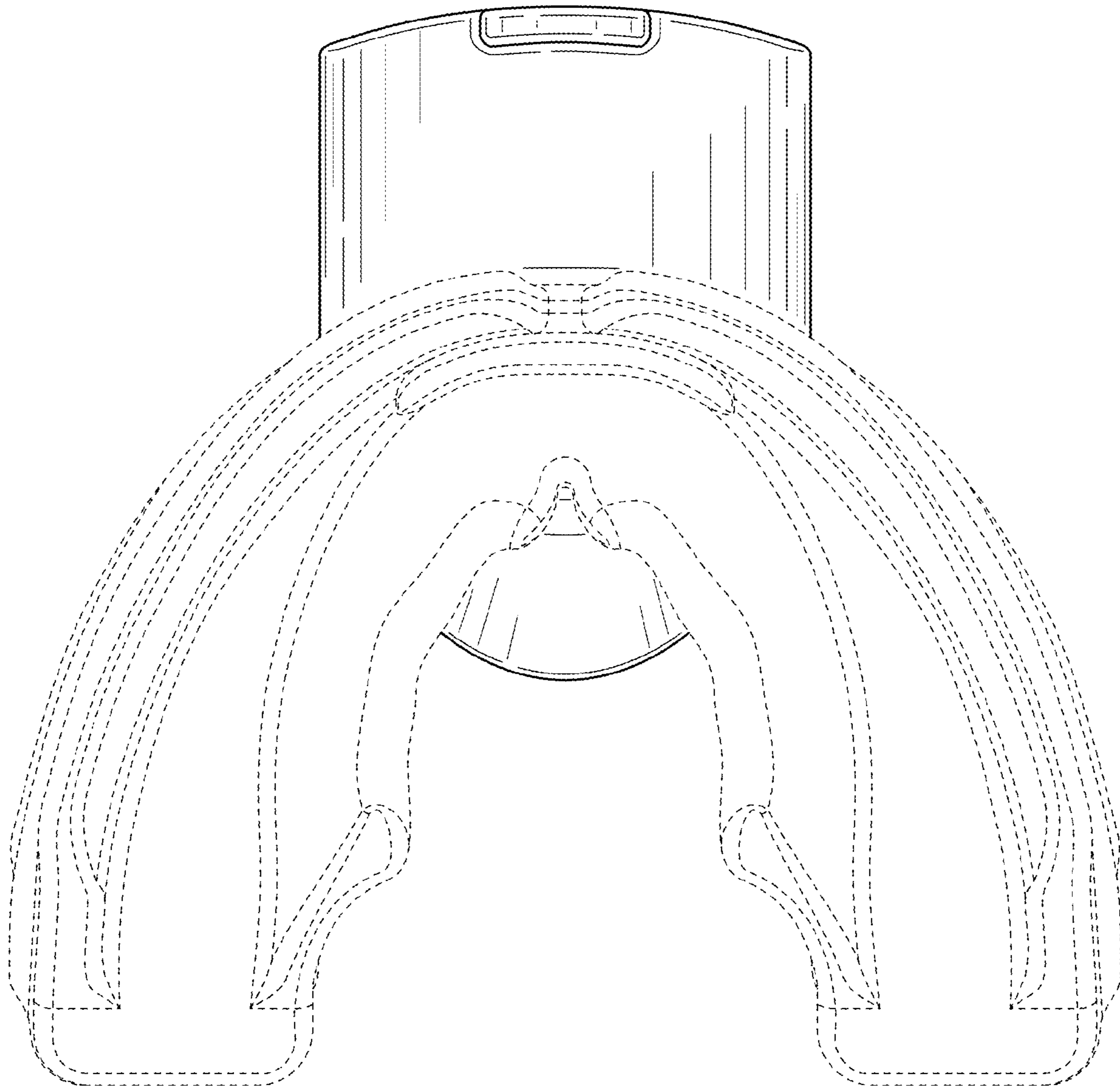


FIG. 29

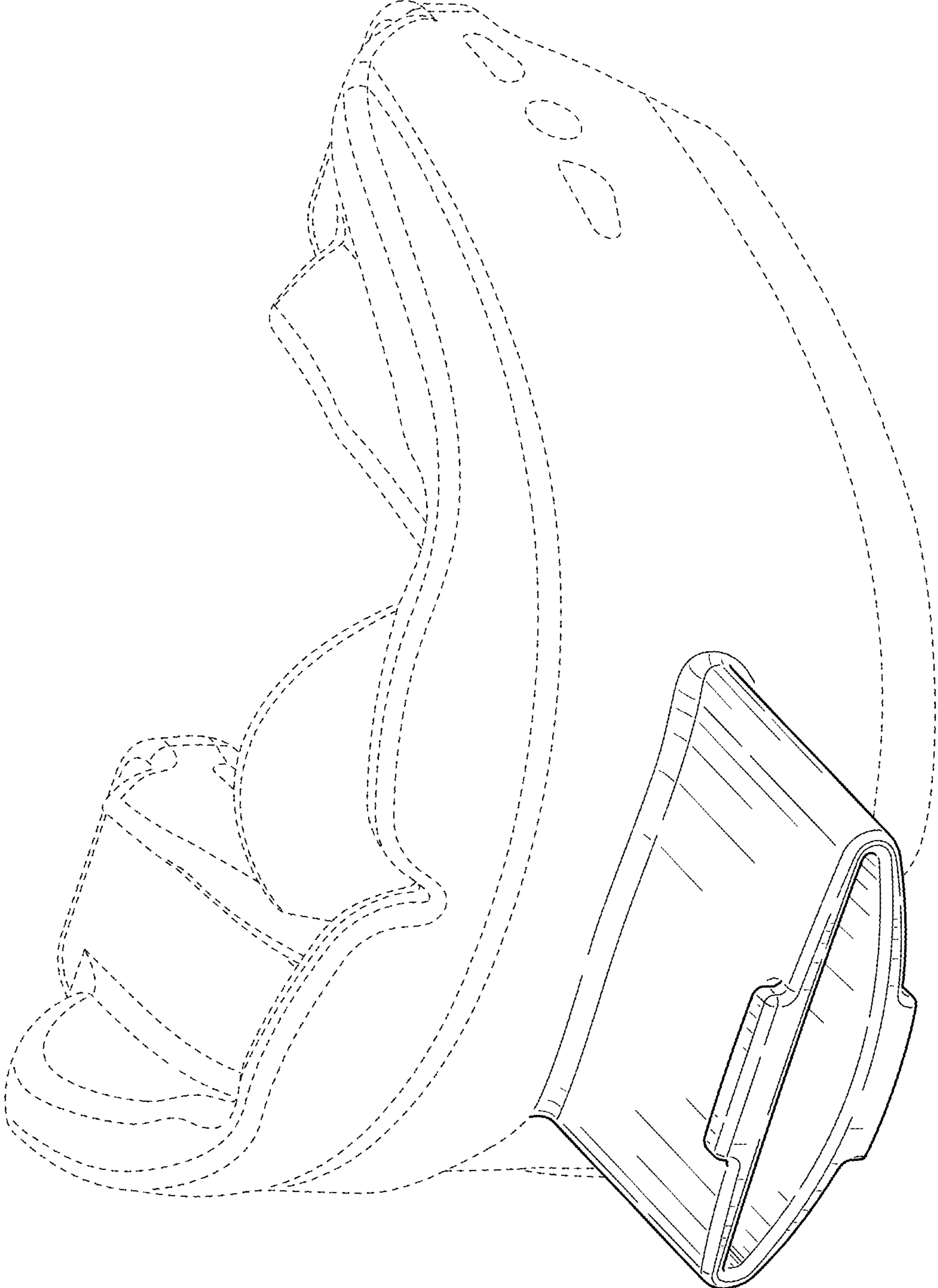


FIG. 30

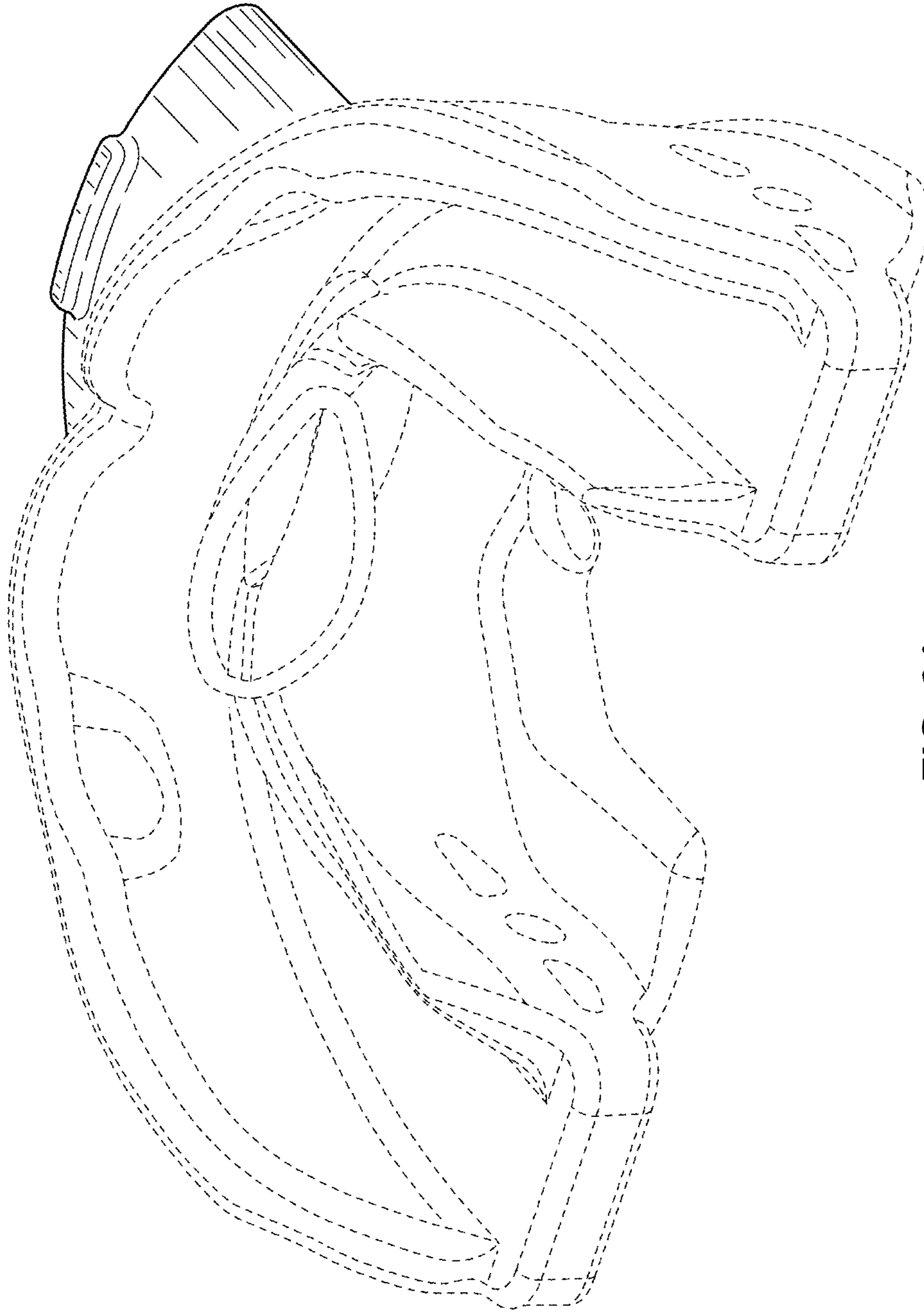


FIG. 31

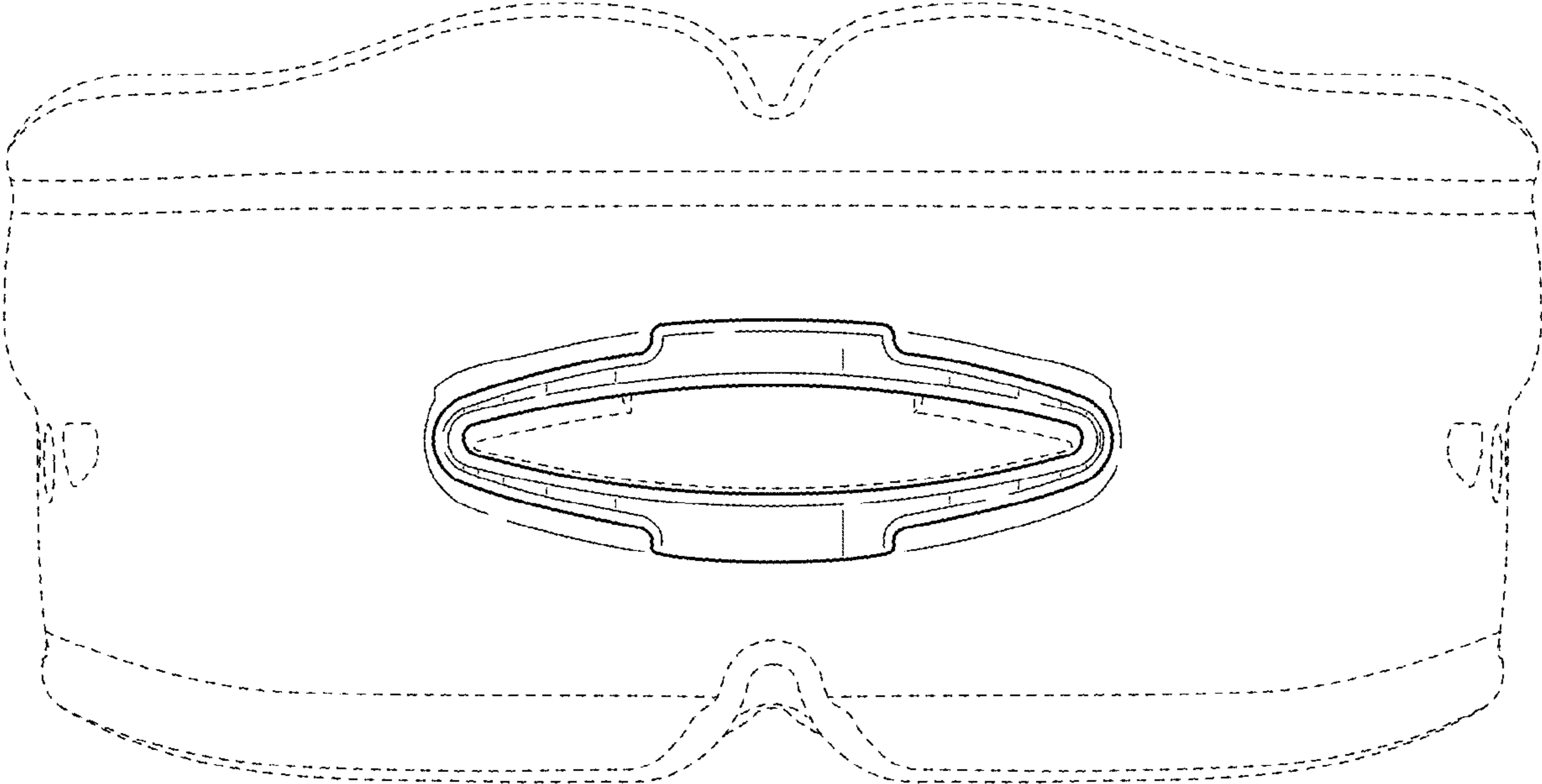


FIG. 32

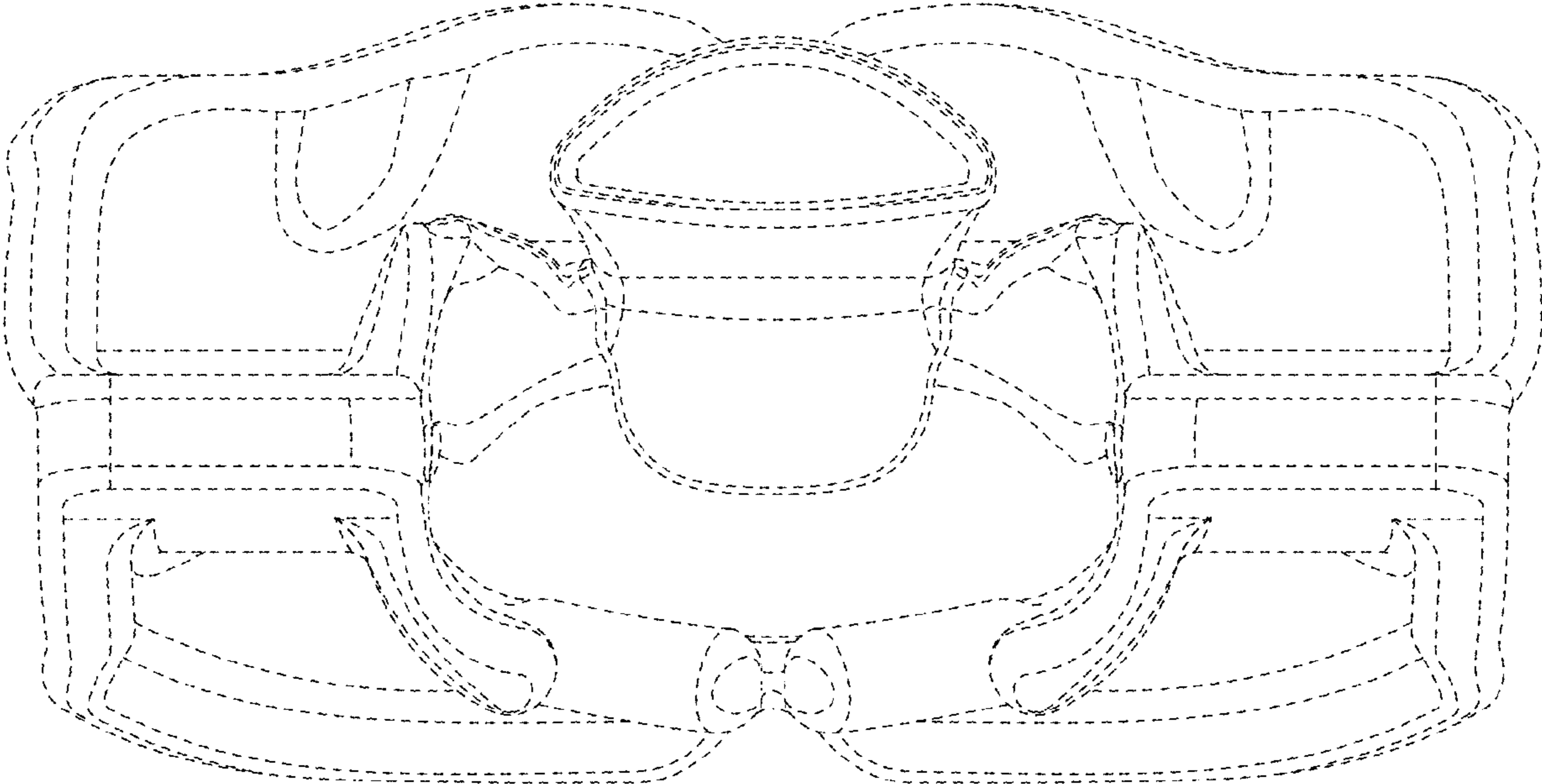


FIG. 33

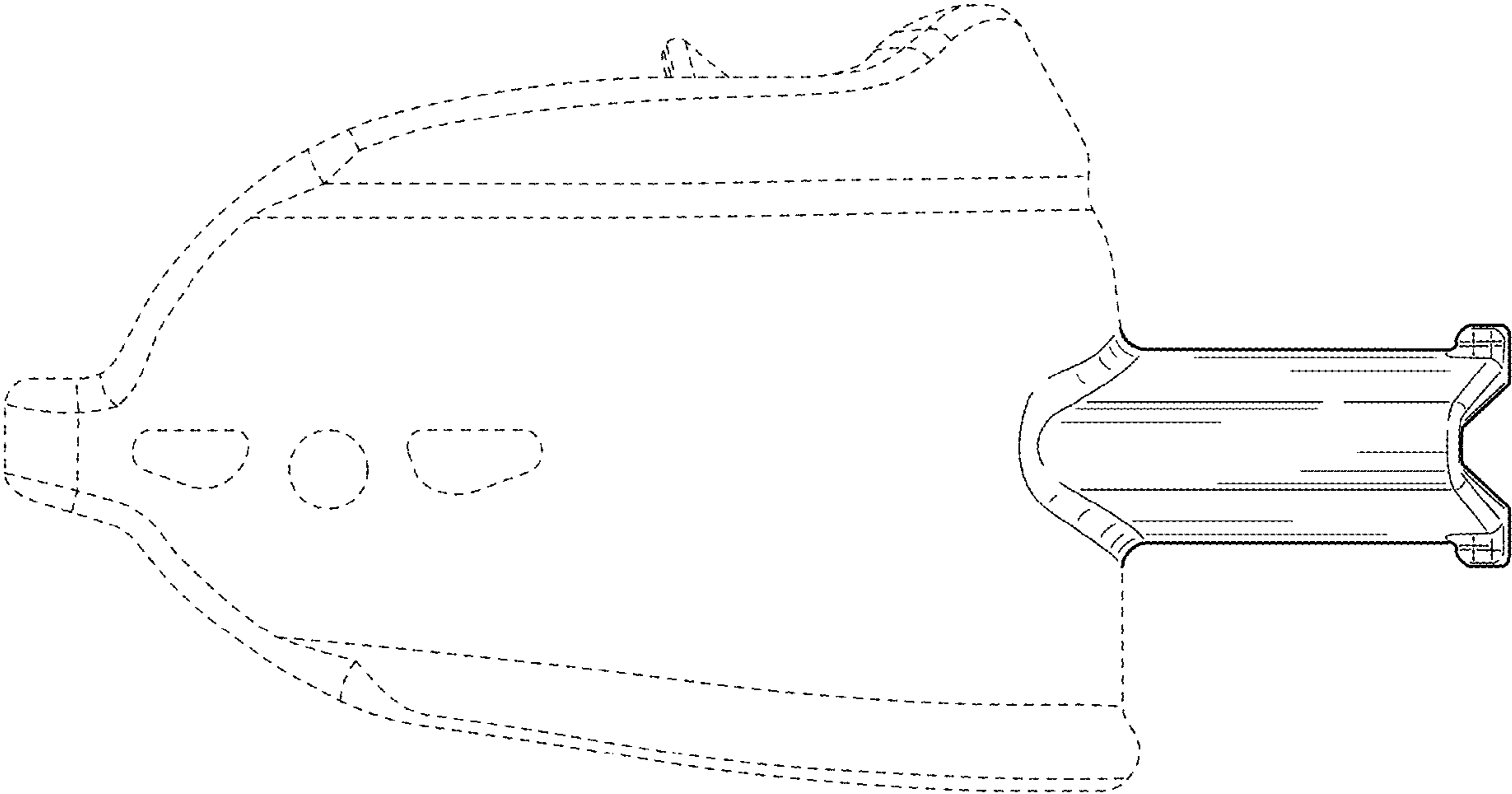


FIG. 34

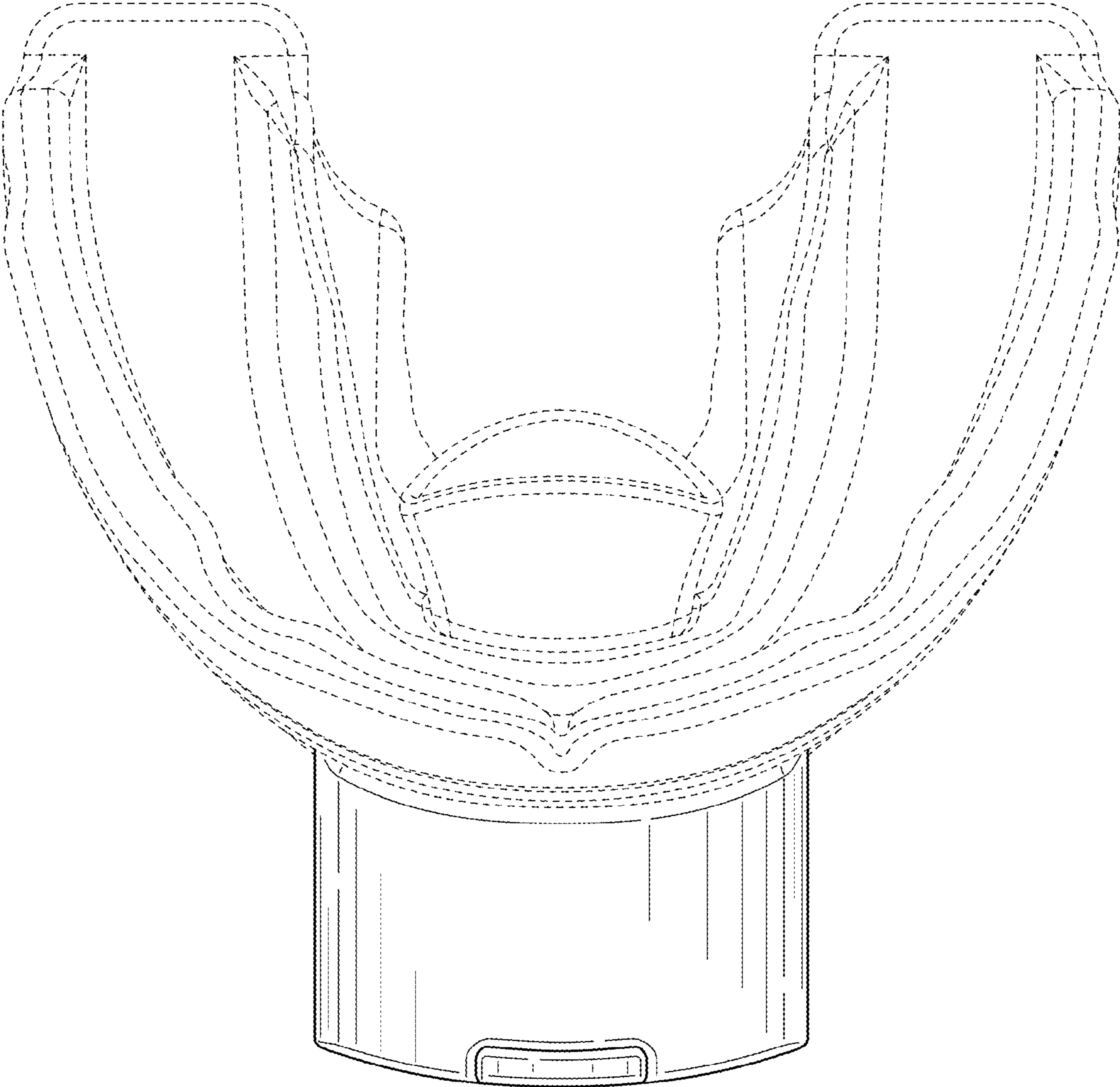


FIG. 35



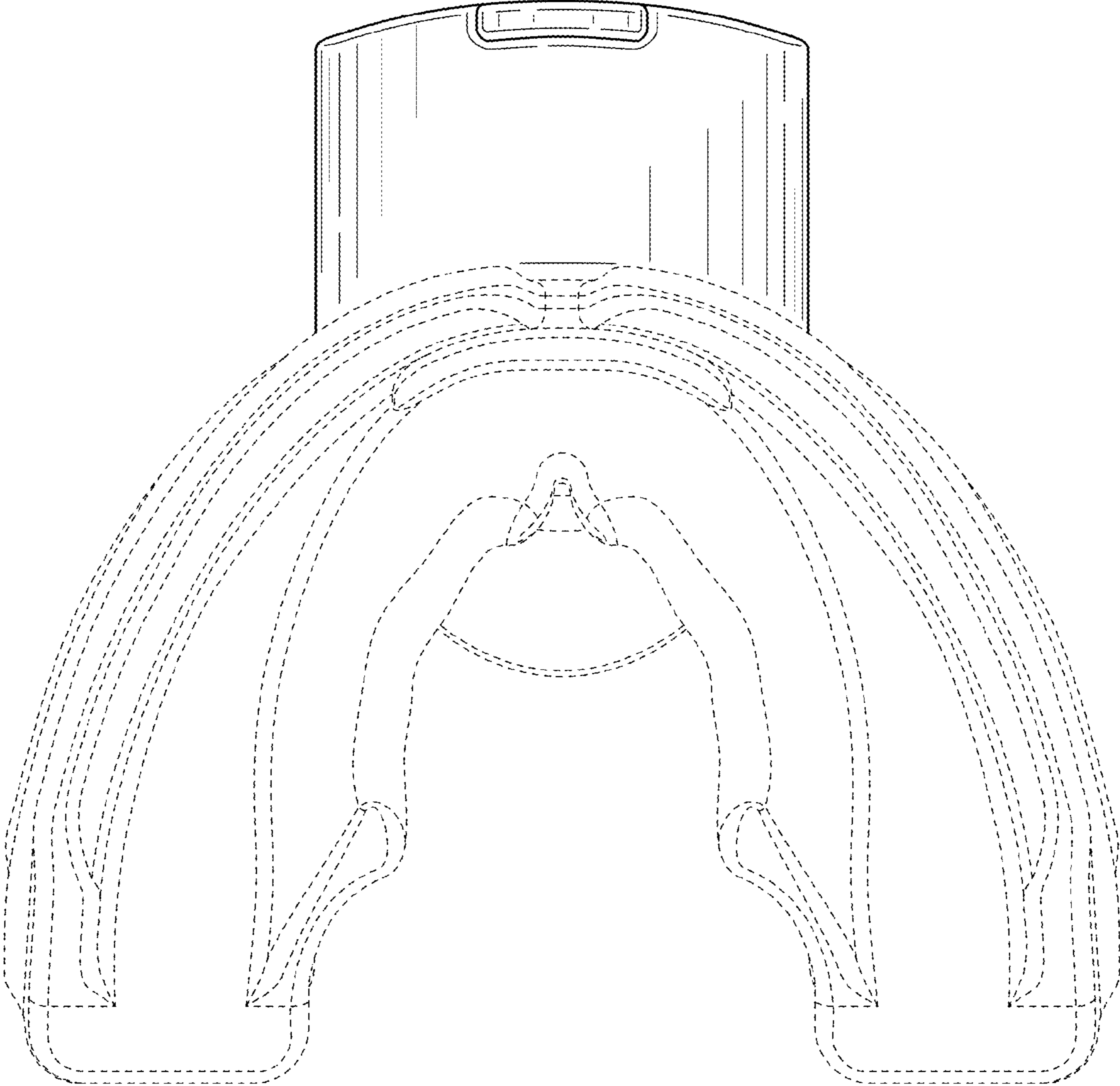


FIG. 36