



US00D938042S

(12) **United States Design Patent** (10) **Patent No.:** **US D938,042 S**
Bendetti (45) **Date of Patent:** **** Dec. 7, 2021**

(54) **ASSISTIVE HEARING DEVICE FOR USE WITH A TELEPHONE**
(71) Applicant: **Richard J Bendetti**, Malibu, CA (US)
(72) Inventor: **Richard J Bendetti**, Malibu, CA (US)
(73) Assignee: **Richard J. Bendetti**, Malibu, CA (US)
(**) Term: **15 Years**

9,681,237 B2 6/2017 Bendetti
D807,862 S * 1/2018 Takami D14/223
10,123,136 B2 11/2018 Bendetti
D905,014 S * 12/2020 Friedman D14/217
2003/0007634 A1* 1/2003 Wang A45F 5/02
379/447
2003/0040345 A1 2/2003 Berger et al.
2008/0240418 A1 10/2008 Amron
2011/0203954 A1* 8/2011 Kroupa A45F 5/004
206/320

(21) Appl. No.: **29/713,241**
(22) Filed: **Nov. 14, 2019**
(51) **LOC (13) Cl.** **24-99**
(52) **U.S. Cl.**
USPC **D24/174**
(58) **Field of Classification Search**
USPC D24/173-175, 186, 231; D14/205, 223,
D14/224, 225, 226, 249; D8/395
CPC H04R 2225/021; H04R 2225/023; H04R
2225/025; H04R 25/604; A45F 5/004;
H01L 23/02; H01Q 7/00; H01Q 13/10
See application file for complete search history.

* cited by examiner

Primary Examiner — Anhdao Doan
(74) *Attorney, Agent, or Firm* — Martin & Ferraro, LLP

(57) **CLAIM**

The ornamental design for an assistive hearing device for use with a telephone, as shown and described.

DESCRIPTION

FIG. 1 is a front perspective view of the assistive hearing device shown in use with a phone depicted in broken lines; FIG. 2 is a front perspective view thereof; FIG. 3 is a rear perspective view thereof; FIG. 4 is a front elevational view thereof; FIG. 5 is a rear elevational view thereof; FIG. 6 is a right side elevational view thereof; FIG. 7 is a left side elevational view thereof; FIG. 8 is a top plan view thereof; and, FIG. 9 is a bottom plan view thereof.

The broken lines depicting a telephone in FIG. 1 represent environmental subject matter only and form no part of the claimed design; the remaining broken lines illustrate portions of the assistive hearing device for use with a telephone that form no part of the claimed design.

(56) **References Cited**

U.S. PATENT DOCUMENTS

4,483,414 A 11/1984 Tanaka
4,905,276 A 2/1990 Catey et al.
D576,608 S * 9/2008 Yu D14/205
D587,682 S * 3/2009 Miles D14/205
D605,168 S * 12/2009 Jaakkola D14/205
D605,770 S * 12/2009 Bergstrom D24/174
D636,879 S * 4/2011 Dubs D24/174
D682,256 S * 5/2013 Murchison D14/223
D762,858 S * 8/2016 Iwabuchi D24/174

1 Claim, 9 Drawing Sheets

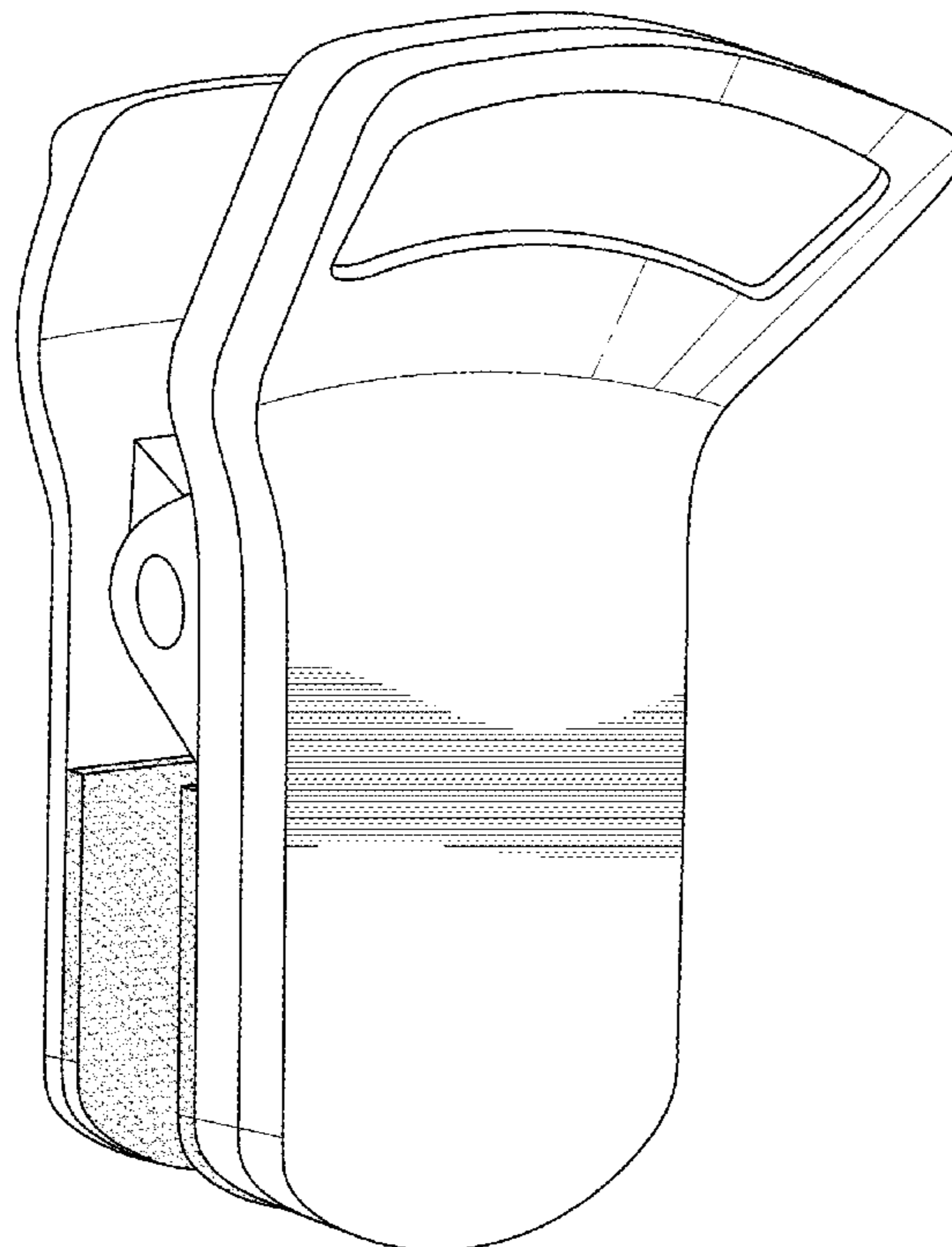
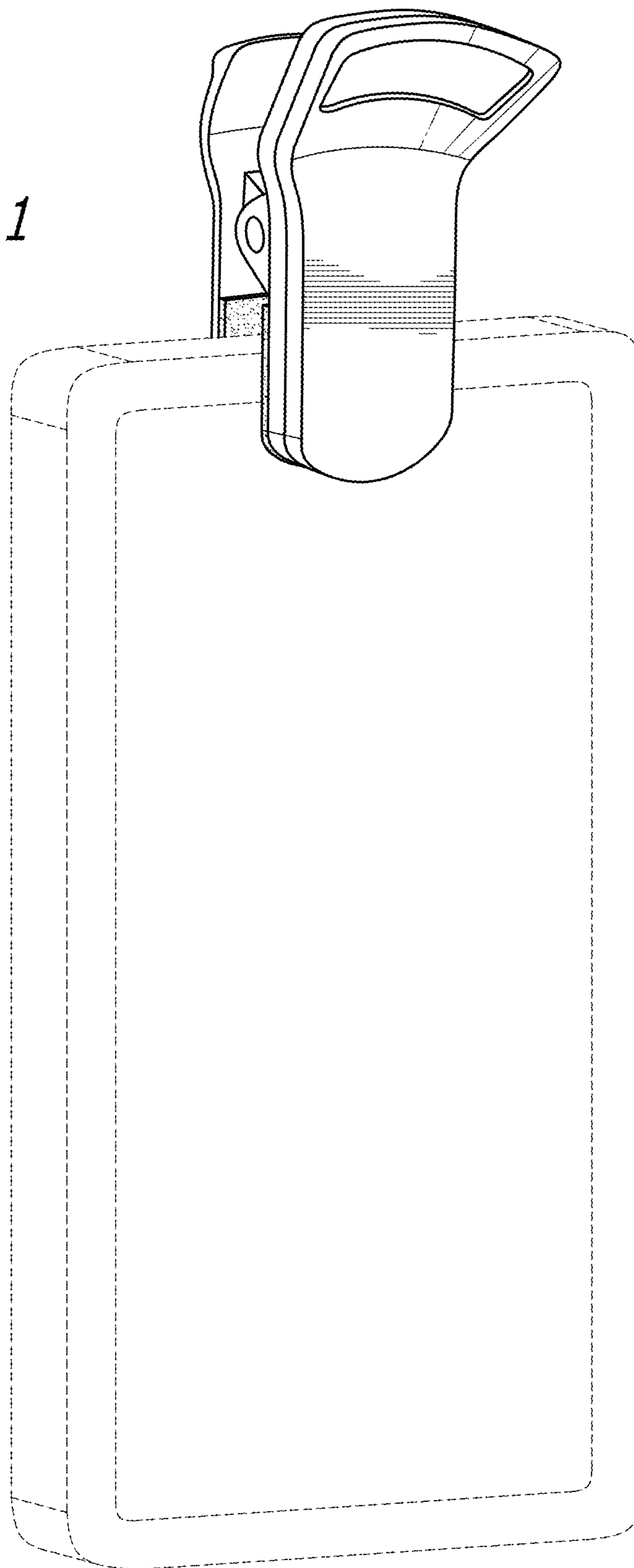


FIG. 1



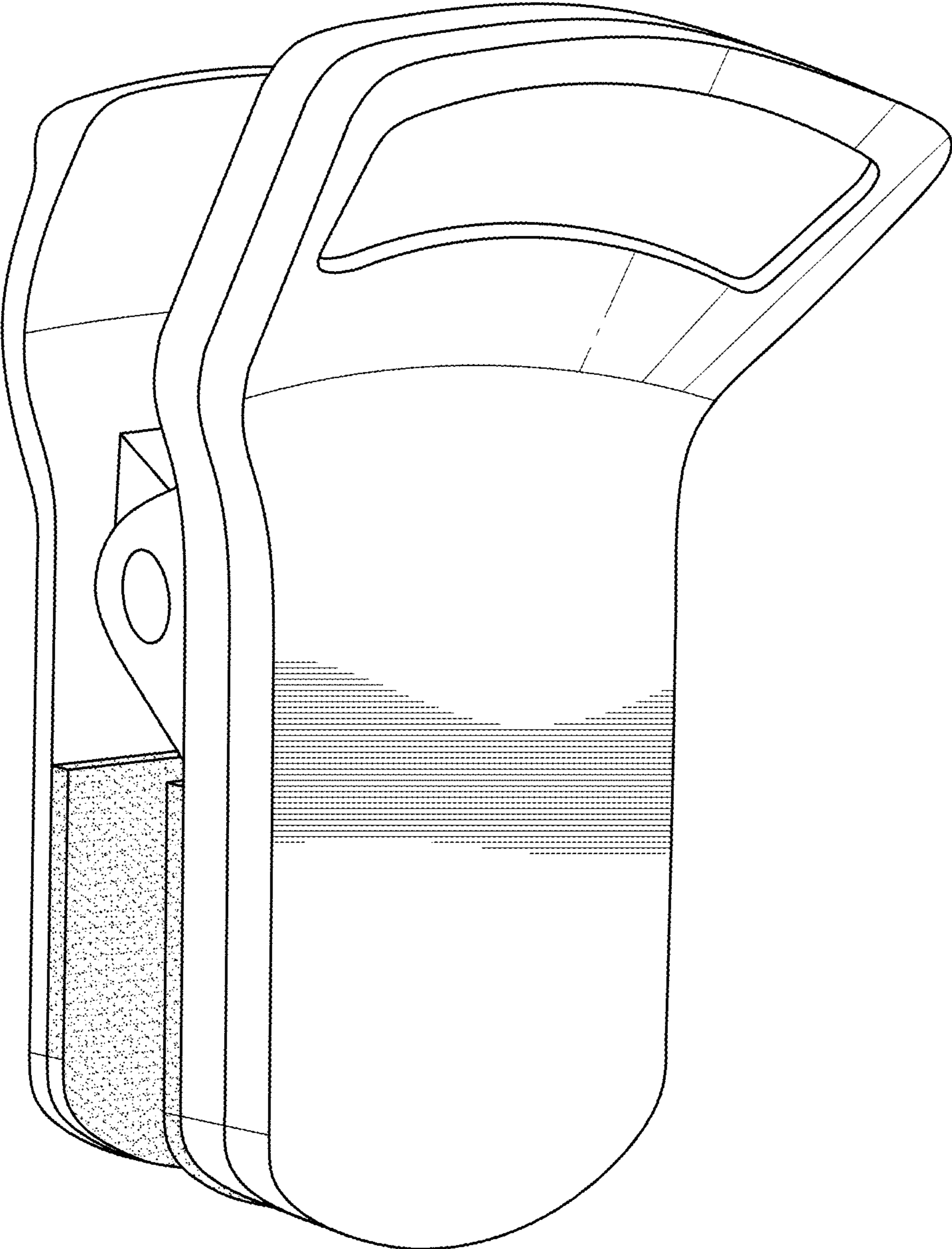
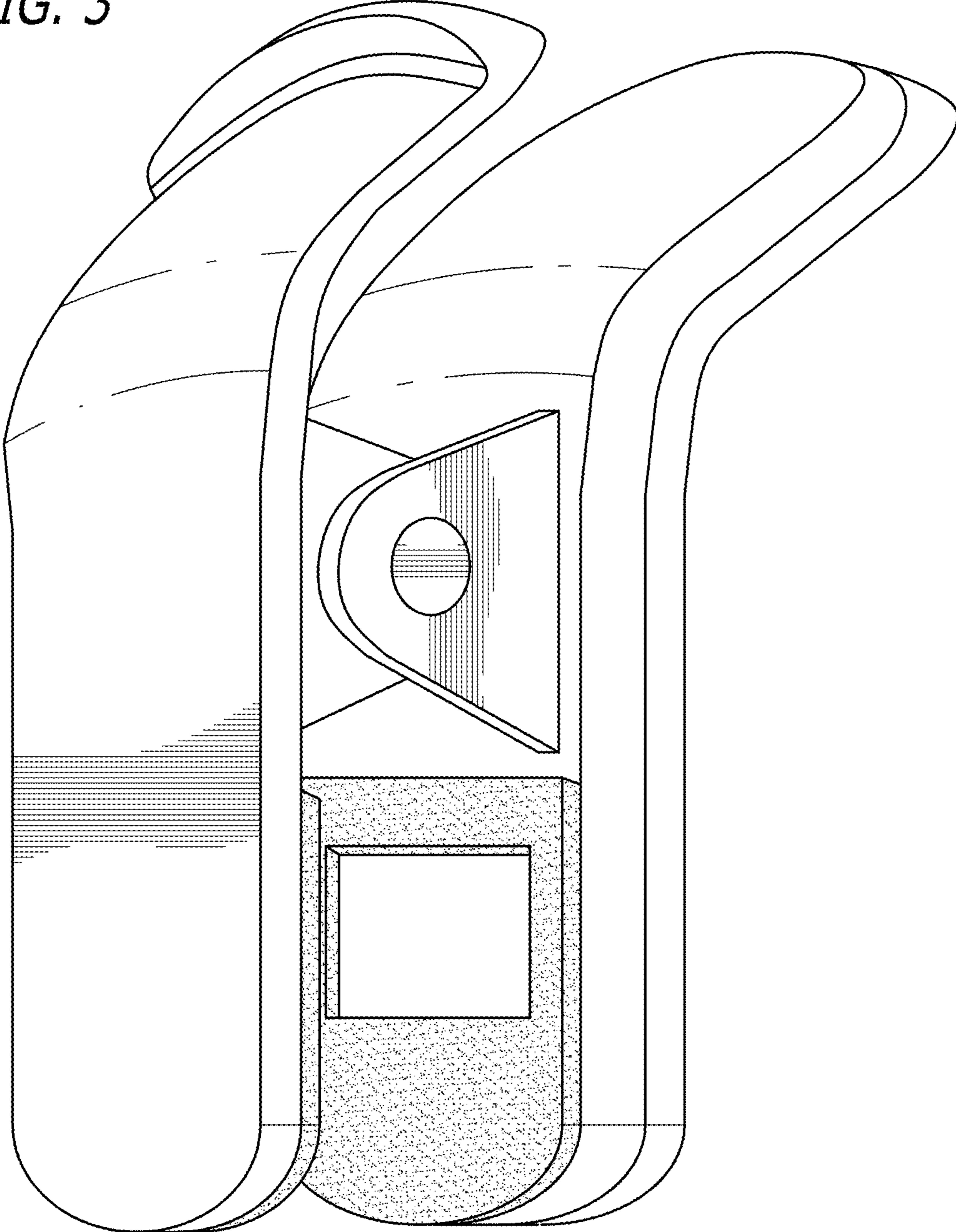


FIG. 2

FIG. 3



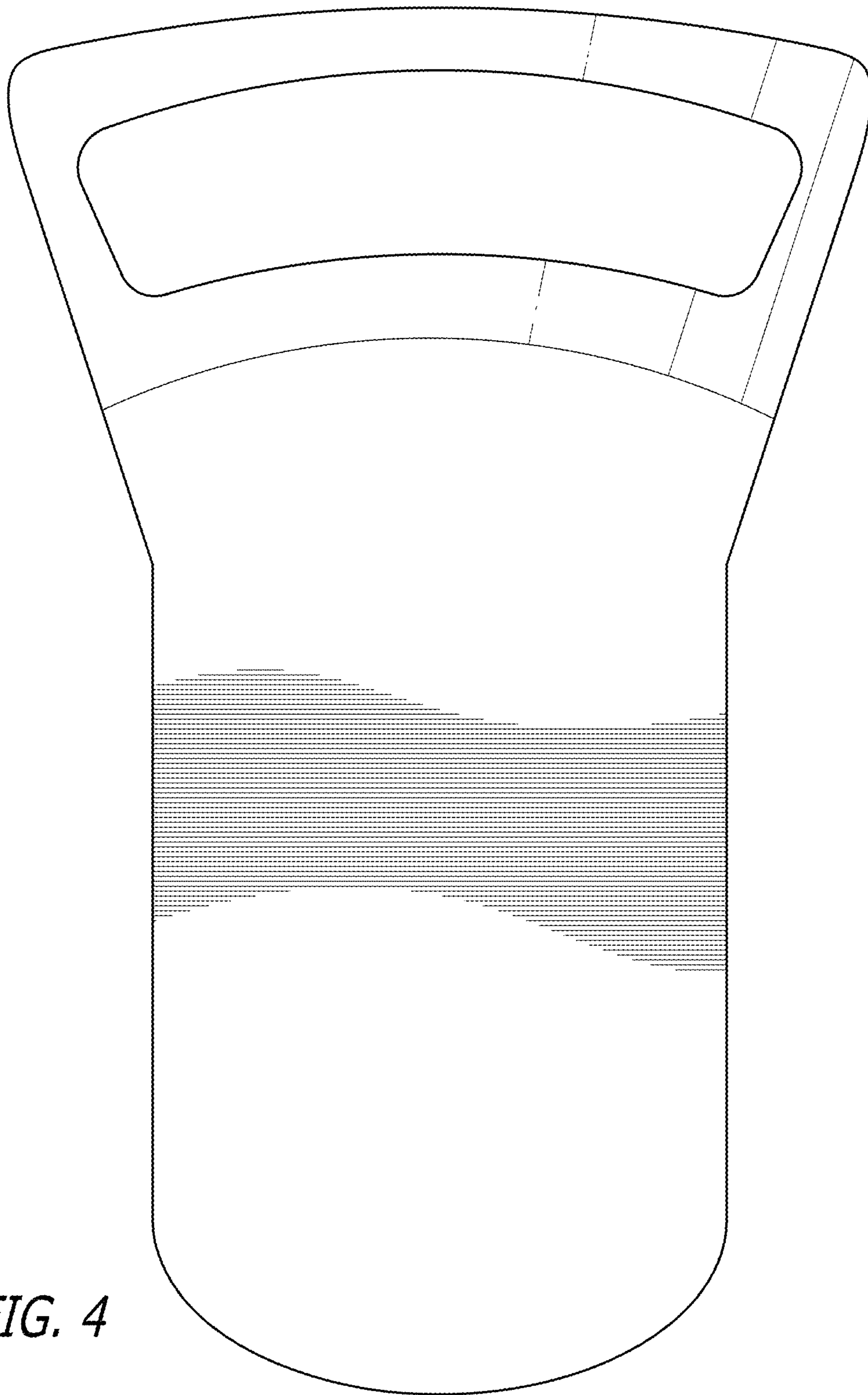


FIG. 4

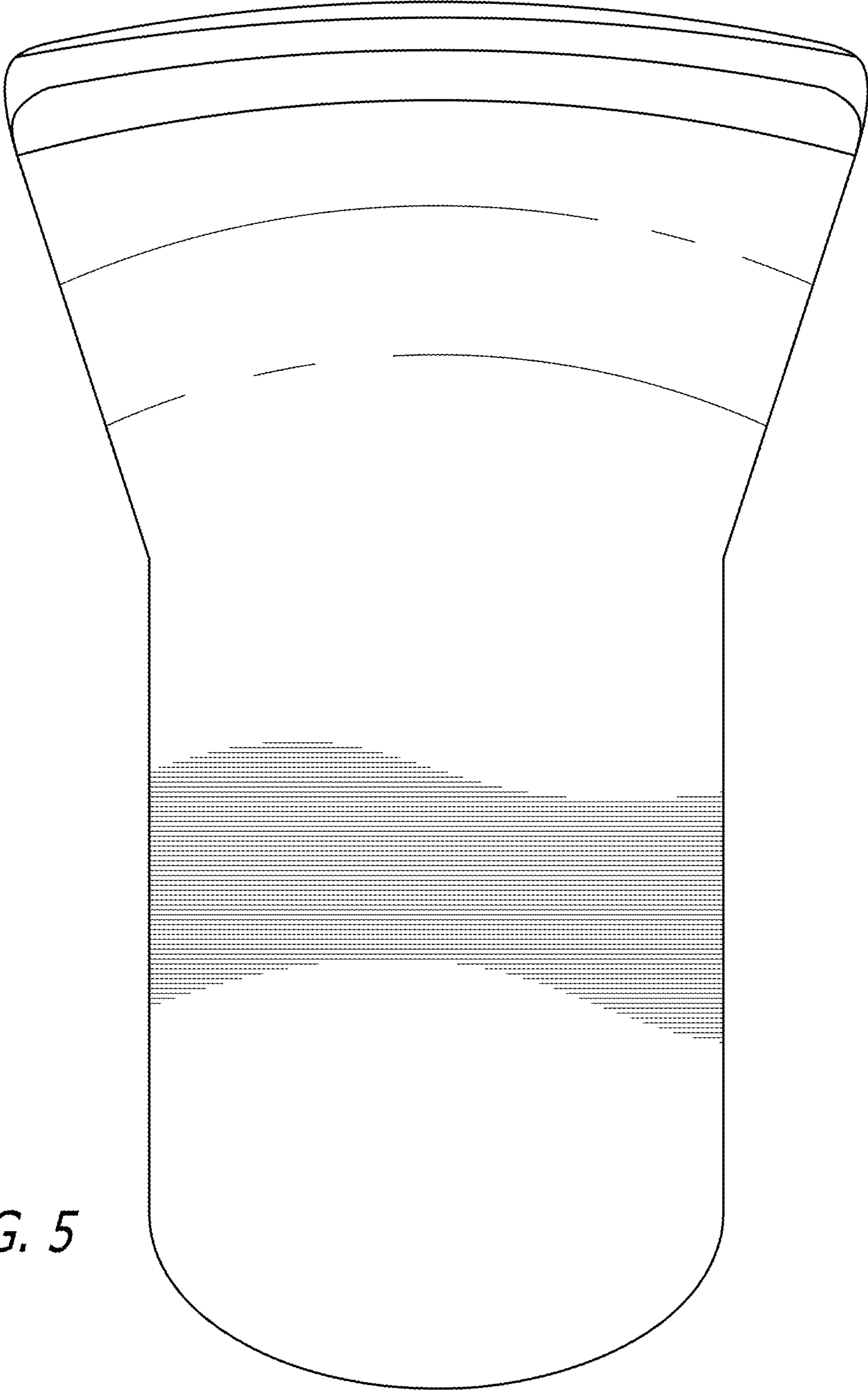


FIG. 5

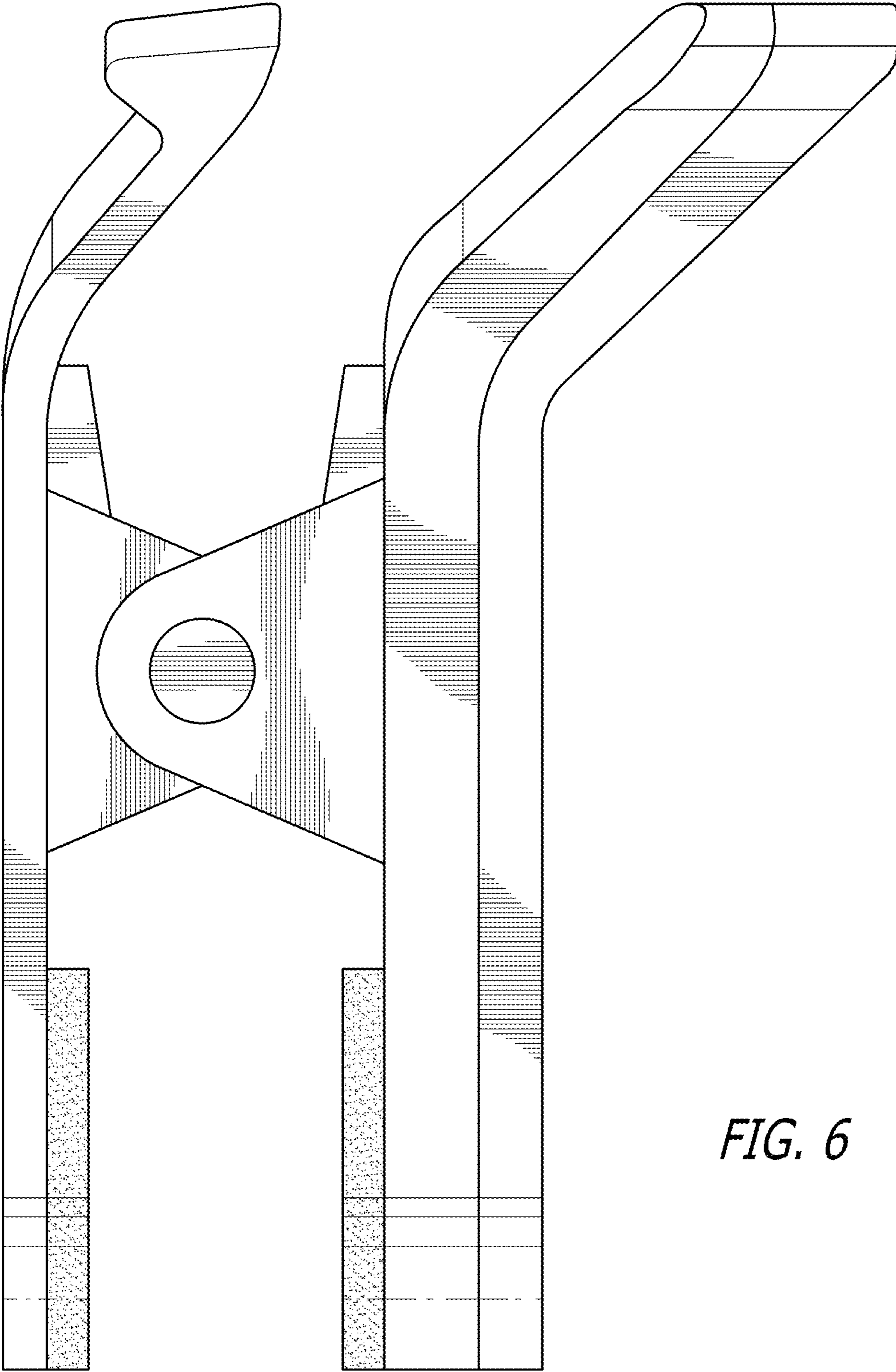


FIG. 6

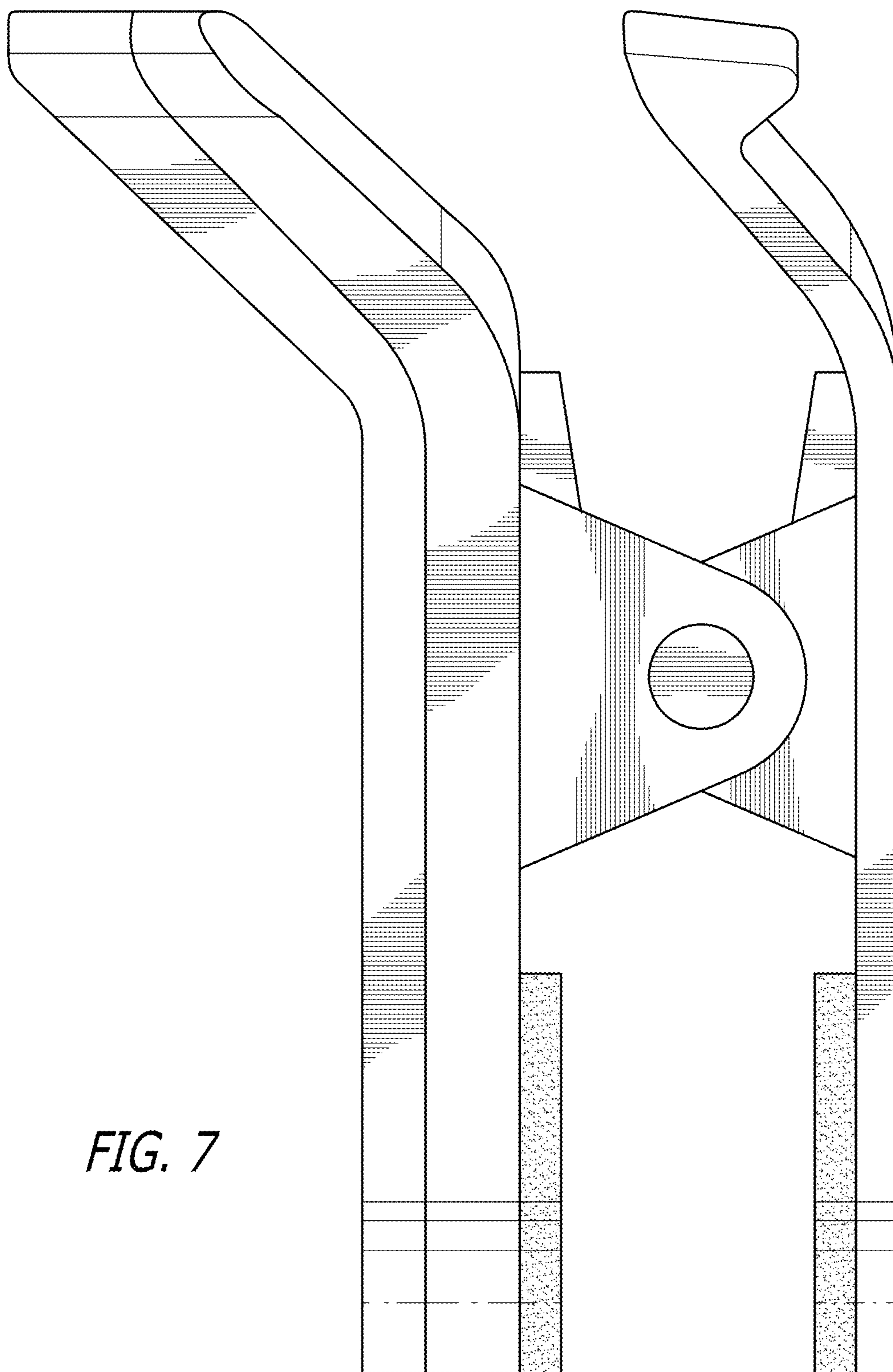


FIG. 7

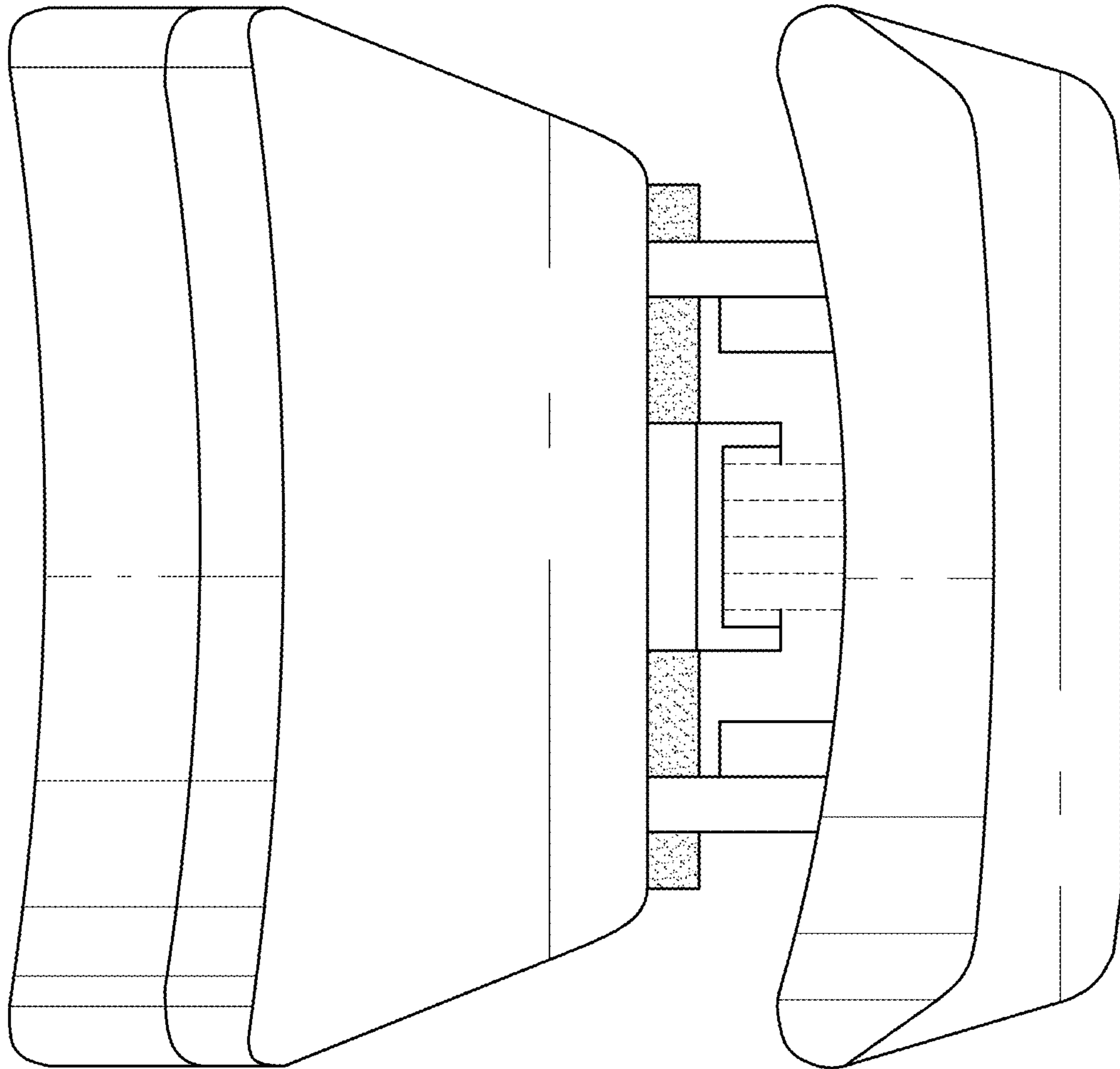


FIG. 8

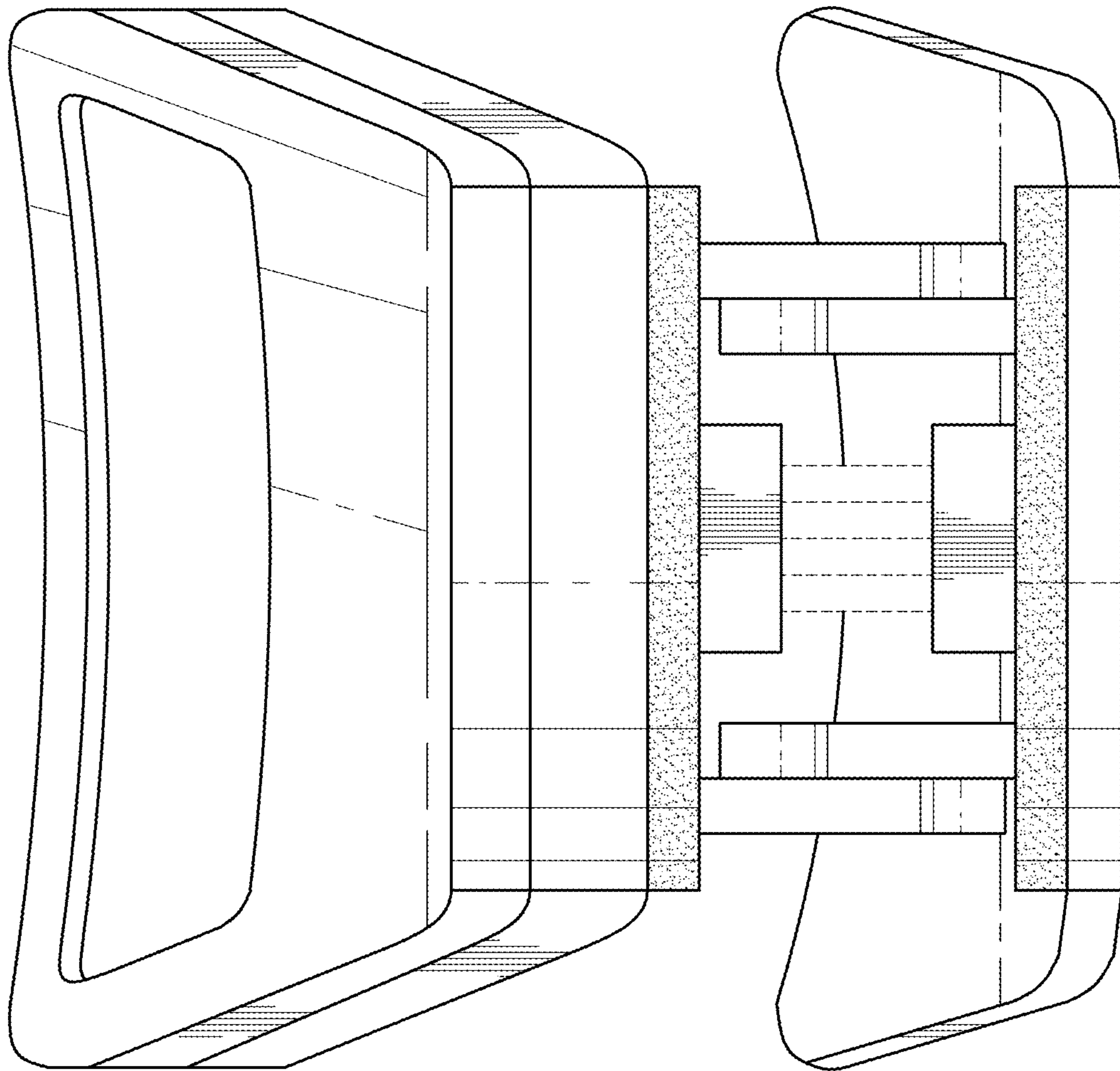


FIG. 9