

US00D938038S

(12) **United States Design Patent** (10) **Patent No.:** **US D938,038 S**
Chen et al. (45) **Date of Patent:** **** Dec. 7, 2021**

(54) **DENTAL IMPLANT WITH SIDE-CUTTING GROOVES**

A61C 8/006; A61C 8/0001; A61C 8/0012; A61C 8/0075; A61C 8/0083
See application file for complete search history.

(71) Applicant: **Chun Leon Chen**, Taipei (TW)
(72) Inventors: **Chun Leon Chen**, Taipei (TW); **Le Chen Chen**, Las Vegas, NV (US); **Sho Chin Chen**, Las Vegas, NV (US); **Hong Yui Chen**, Las Vegas, NV (US); **Yang How Chen**, Las Vegas, NV (US); **Tseu Min Chen**, Las Vegas, NV (US)

(56) **References Cited**

U.S. PATENT DOCUMENTS

D657,874 S *	4/2012	Lussi	D24/156
D659,247 S *	5/2012	Lussi	D24/156
D668,764 S *	10/2012	Lussi	D24/156
D804,669 S *	12/2017	Saltell	D24/156
2011/0014586 A1 *	1/2011	Jorneus	A61C 8/0075 433/173

(73) Assignee: **Chun Leon Chen**, Taipei (TW)

* cited by examiner

(**) Term: **15 Years**

Primary Examiner — Charles D Hanson

(21) Appl. No.: **29/741,512**

(74) *Attorney, Agent, or Firm* — Leong C. Lei

(22) Filed: **Jul. 14, 2020**

(57) **CLAIM**

The ornamental design for a dental implant with side-cutting grooves, as shown and described.

(30) **Foreign Application Priority Data**

DESCRIPTION

Feb. 12, 2020 (TW) 109302278

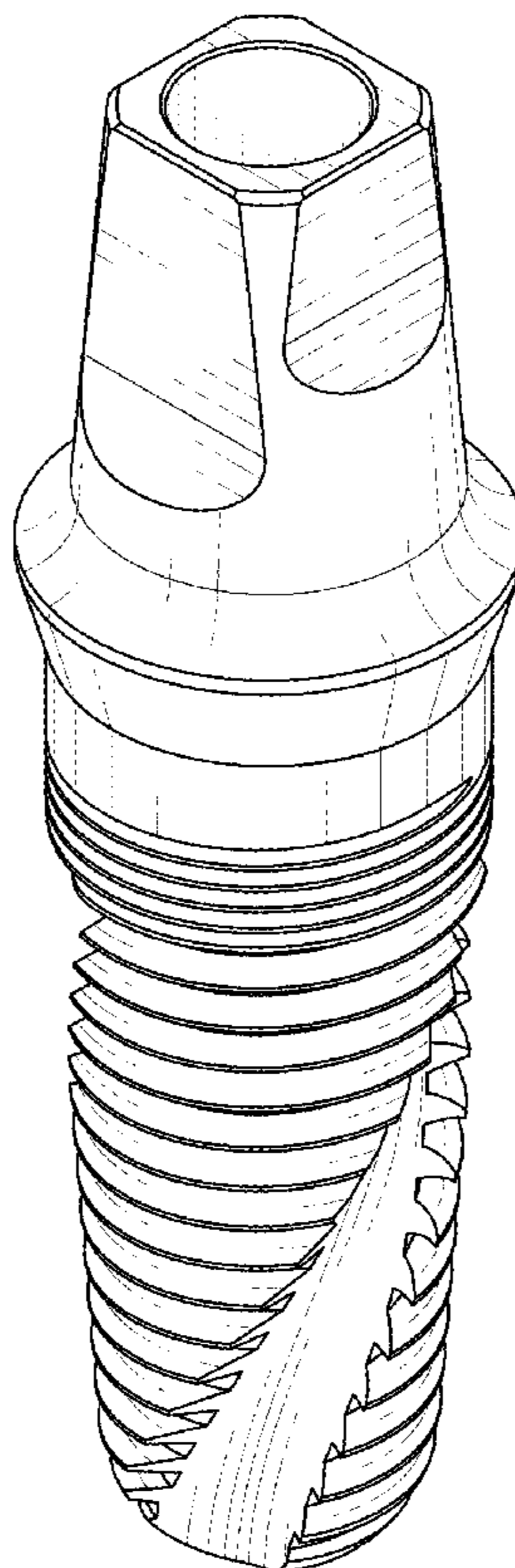
(51) **LOC (13) Cl.** **24-03**

(52) **U.S. Cl.**
USPC **D24/156**

(58) **Field of Classification Search**
USPC D24/156
CPC A61C 13/225; A61C 8/00; A61C 8/0089;
A61C 8/0069; A61C 8/0054; A61C
8/0096; A61C 8/0039; A61C 8/0063;

FIG. 1 is a perspective view of a dental implant with side-cutting grooves showing our new design; FIG. 2 is a front elevational view thereof; FIG. 3 is a rear elevational view thereof; FIG. 4 is a left side elevational view thereof; FIG. 5 is a right side elevational view thereof; FIG. 6 is a top plan view thereof; and, FIG. 7 is a bottom plan view thereof.

1 Claim, 6 Drawing Sheets



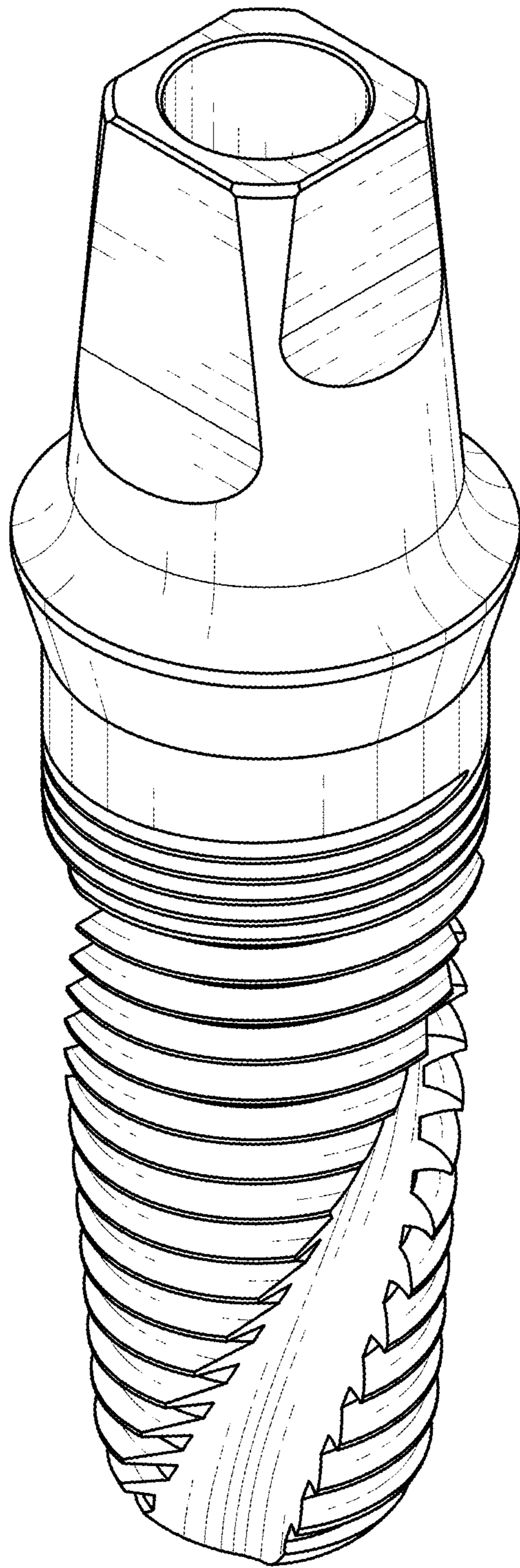


FIG. 1

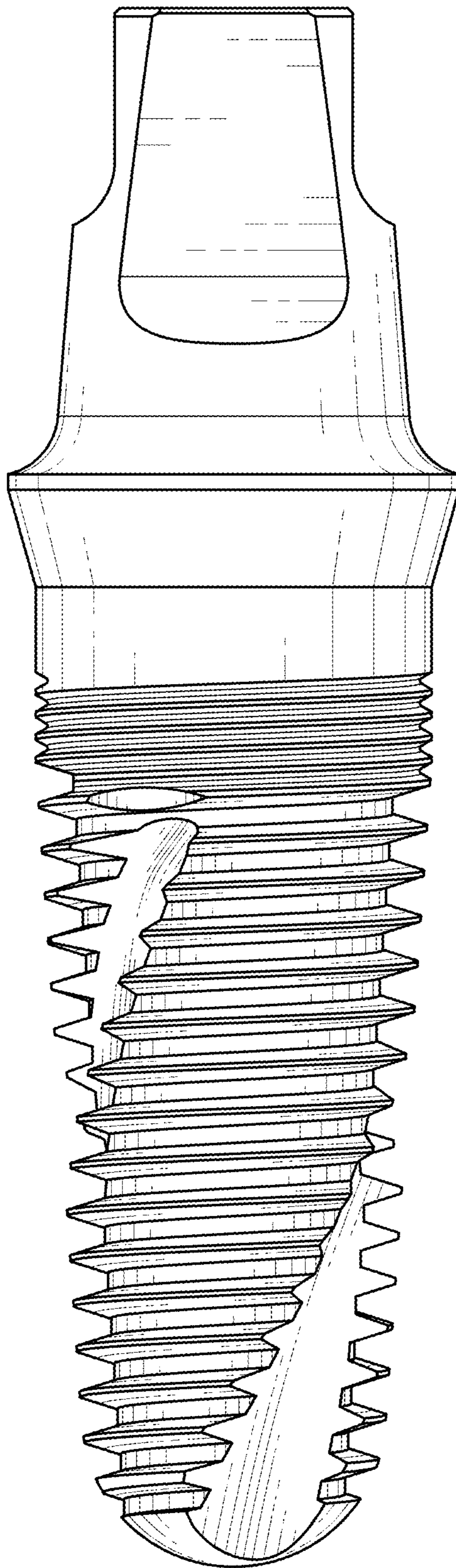


FIG. 2

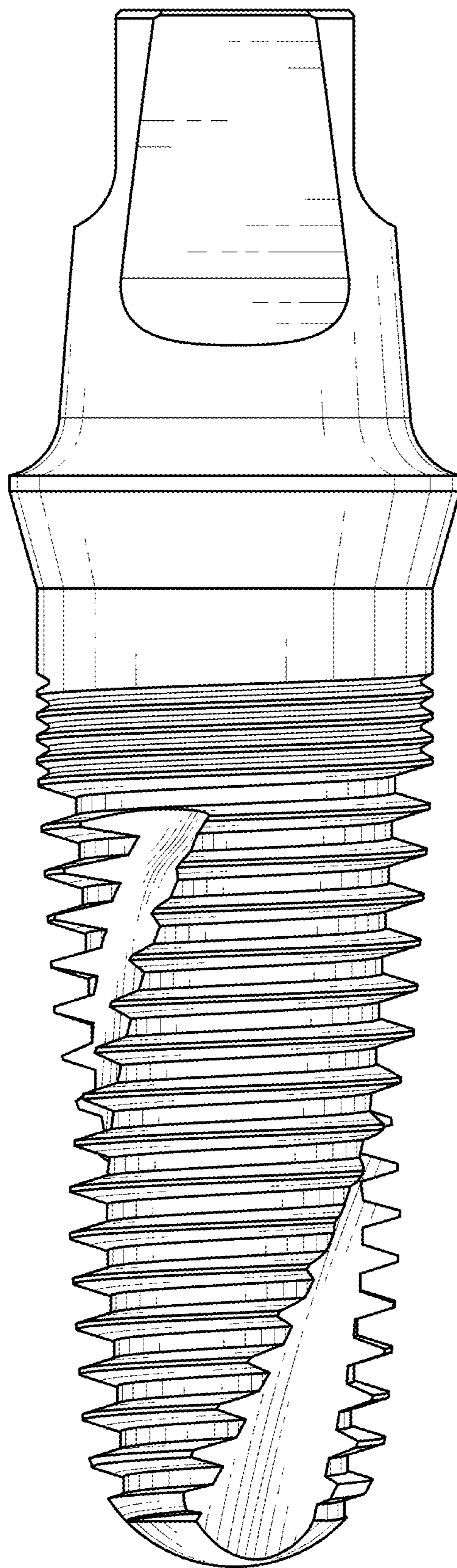


FIG. 3

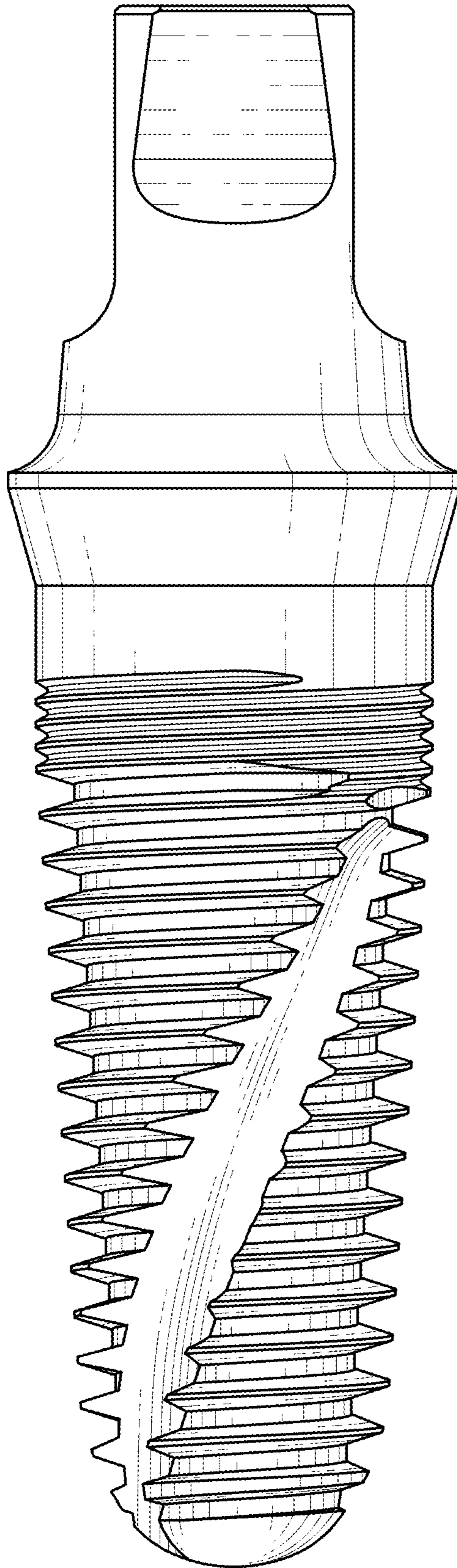


FIG. 4

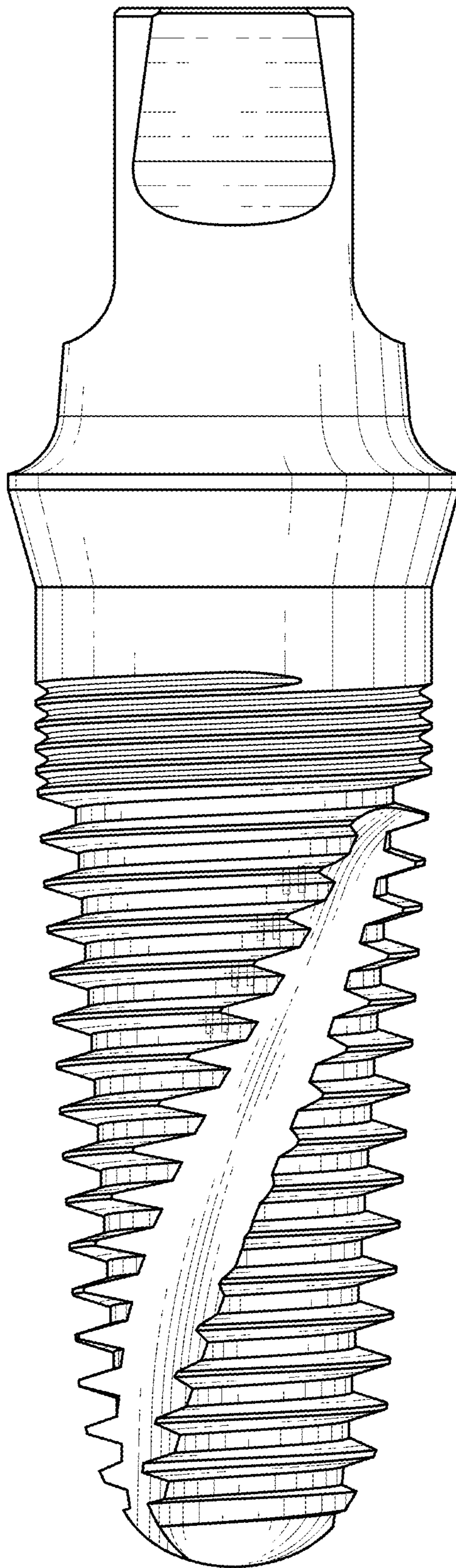


FIG. 5

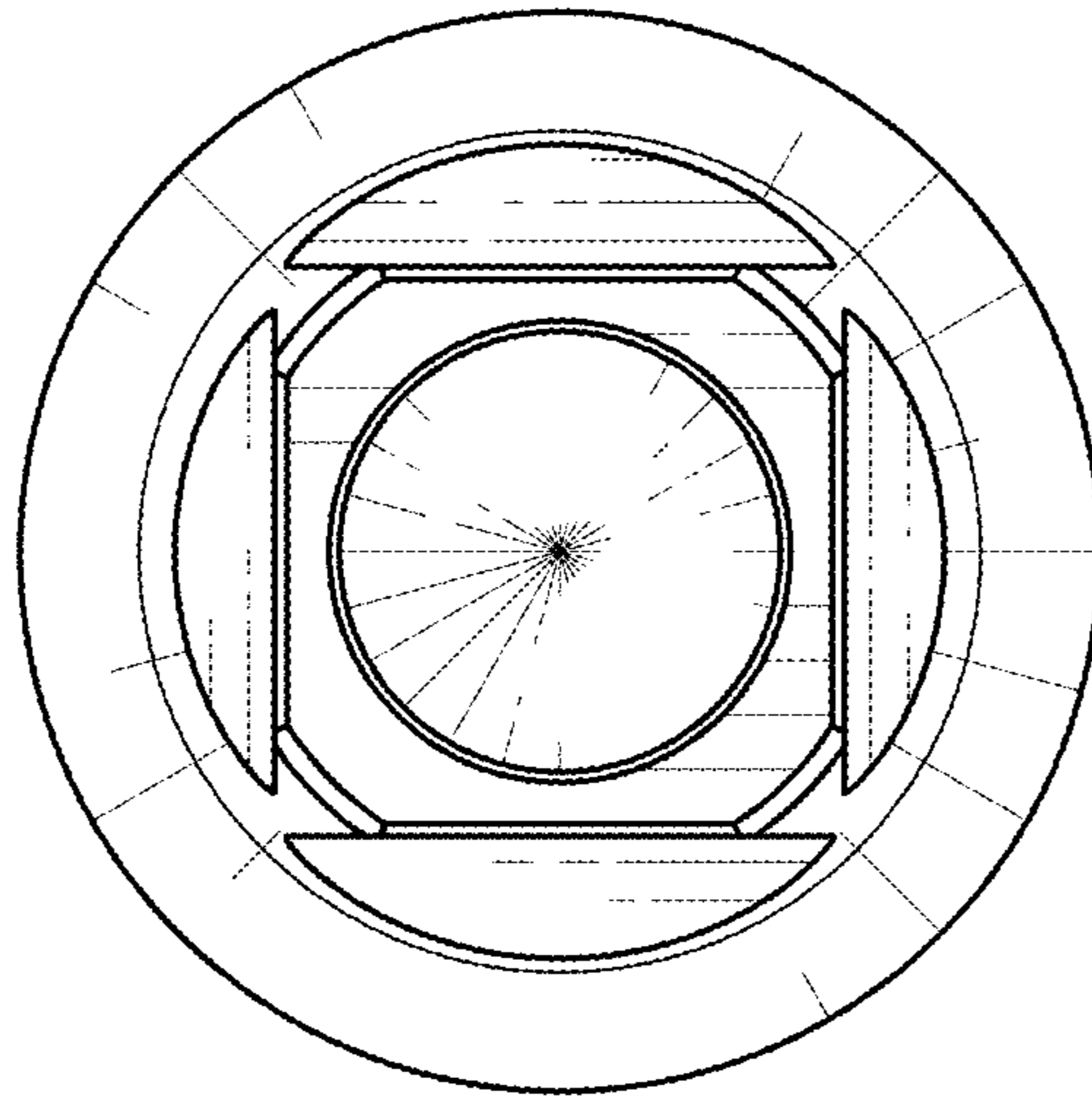


FIG. 6

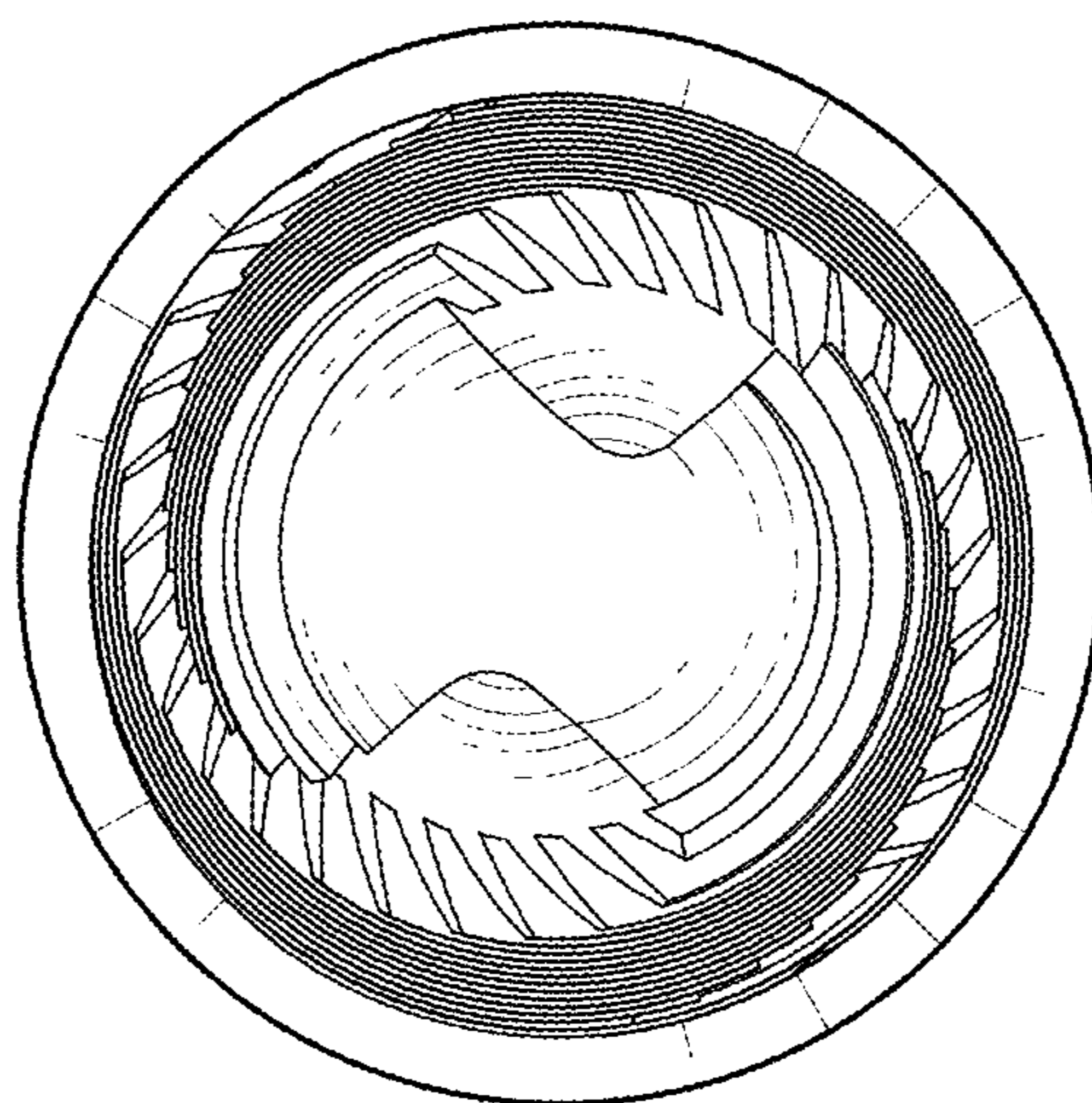


FIG. 7