



US00D938036S

(12) **United States Design Patent** (10) **Patent No.:** **US D938,036 S**
Park (45) **Date of Patent:** **** Dec. 7, 2021**

(54) **DENTAL IMPLANT ABUTMENT** 7,632,095 B2 * 12/2009 Ostman A61C 8/005
433/172
(71) Applicant: **MEGAGEN IMPLANT CO., LTD.,** D646,786 S * 10/2011 Anitua Aldecoa D24/156
Daegu (KR) D752,754 S * 3/2016 Aravena D24/156
(72) Inventor: **Kwang Bum Park,** Daegu (KR) D767,763 S * 9/2016 Bar Shalom D24/156
D865,179 S * 10/2019 Thome D24/156

(73) Assignee: **MEGAGEN IMPLANT CO., LTD.,**
Daegu (KR)

* cited by examiner

(**) Term: **15 Years**

Primary Examiner — Charles D Hanson

(21) Appl. No.: **29/741,449**

(74) *Attorney, Agent, or Firm* — Berenato & White, LLC

(22) Filed: **Jul. 13, 2020**

(51) **LOC (13) Cl.** **24-03**

(57) **CLAIM**

(52) **U.S. Cl.**
USPC **D24/156**

The ornamental design for a dental implant abutment, as shown and described.

(58) **Field of Classification Search**
USPC D24/156
CPC A61C 8/00; A61C 8/0089; A61C 8/0069;
A61C 8/0054; A61C 8/0096; A61C
8/0039; A61C 8/006; A61C 8/0001; A61C
8/0012; A61C 8/0075; A61C 8/0083;
A61C 13/225

DESCRIPTION

See application file for complete search history.

FIG. 1 is a front perspective view of a dental implant abutment;
FIG. 2 is a front view;
FIG. 3 is a rear view;
FIG. 4 is a left side view;
FIG. 5 is a right side view;
FIG. 6 is a top plan view; and,
FIG. 7 is a bottom plan view.

(56) **References Cited**

U.S. PATENT DOCUMENTS

5,195,891 A * 3/1993 Sulc A61C 8/005
433/173
6,030,219 A * 2/2000 Zuest A61C 8/0048
433/172

1 Claim, 7 Drawing Sheets

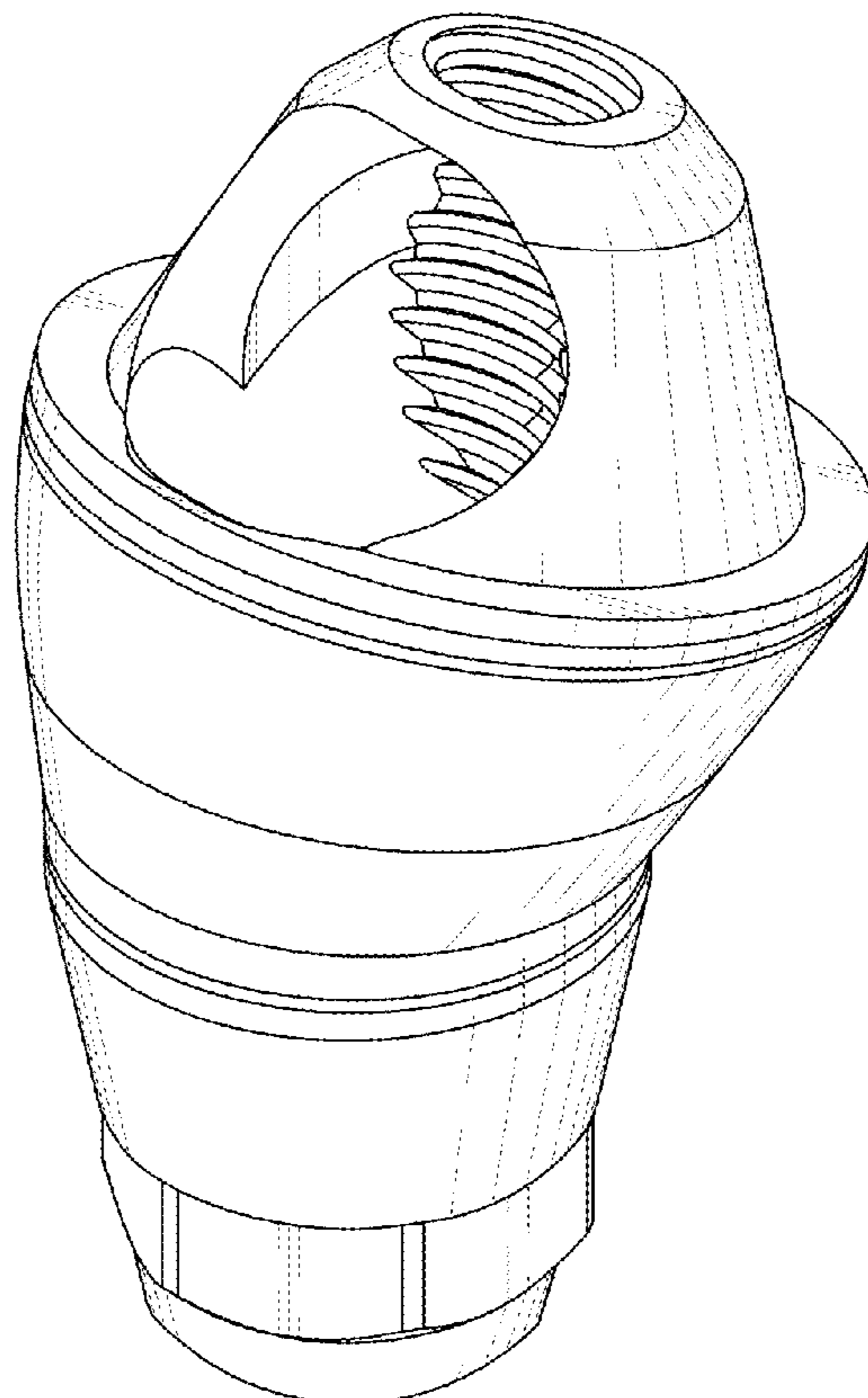


FIG. 1

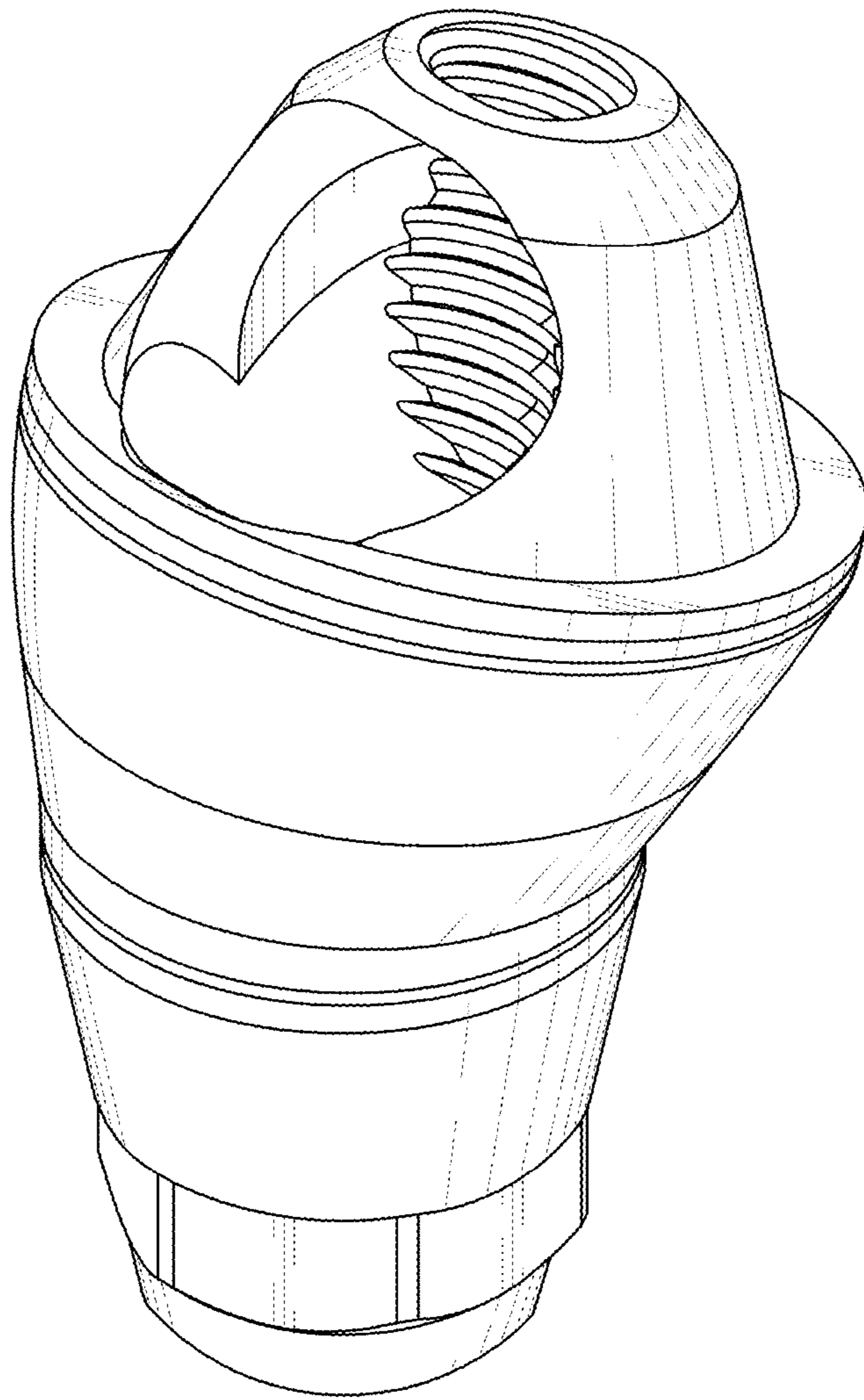


FIG. 2

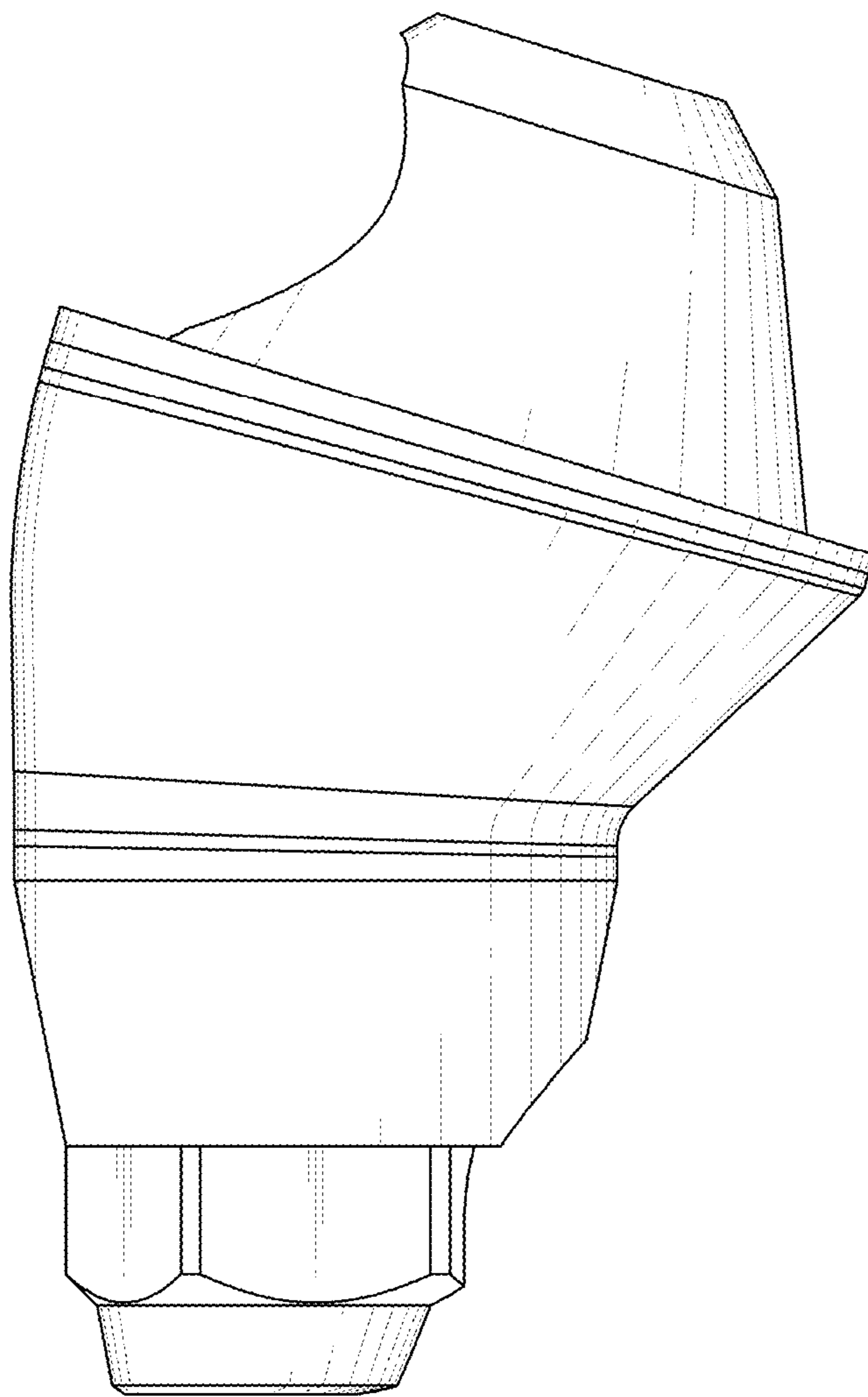


FIG. 3

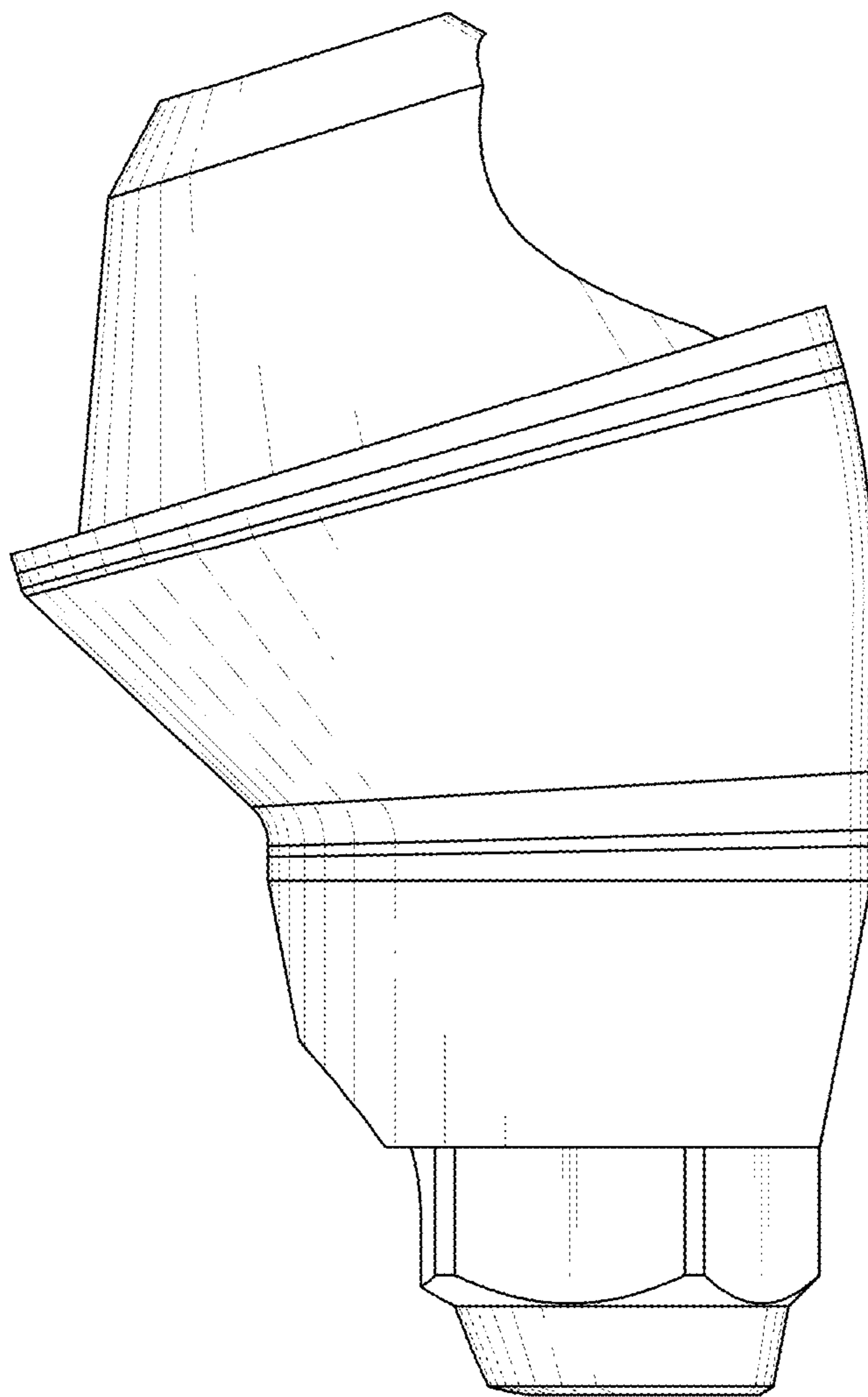


FIG. 4

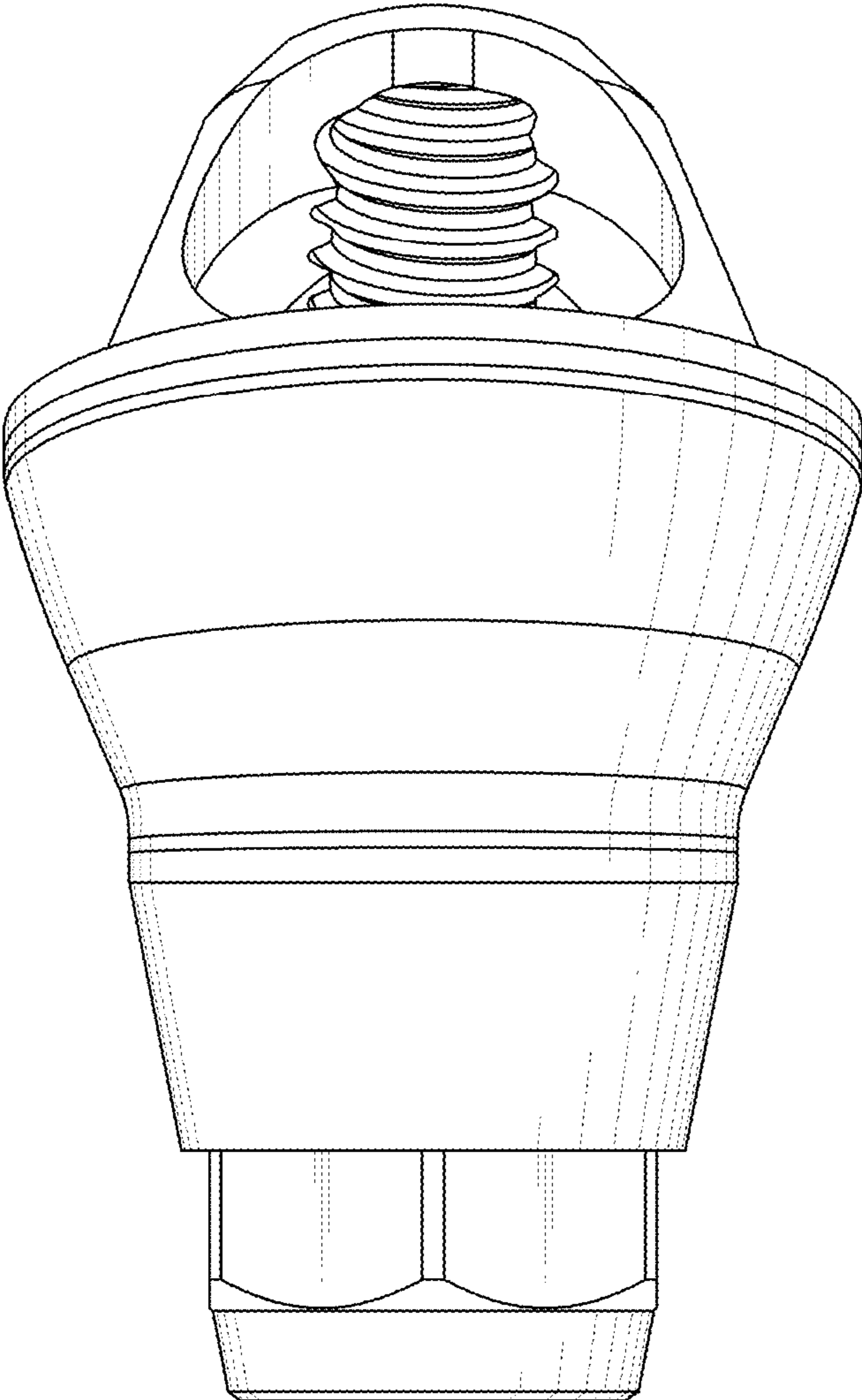


FIG. 5

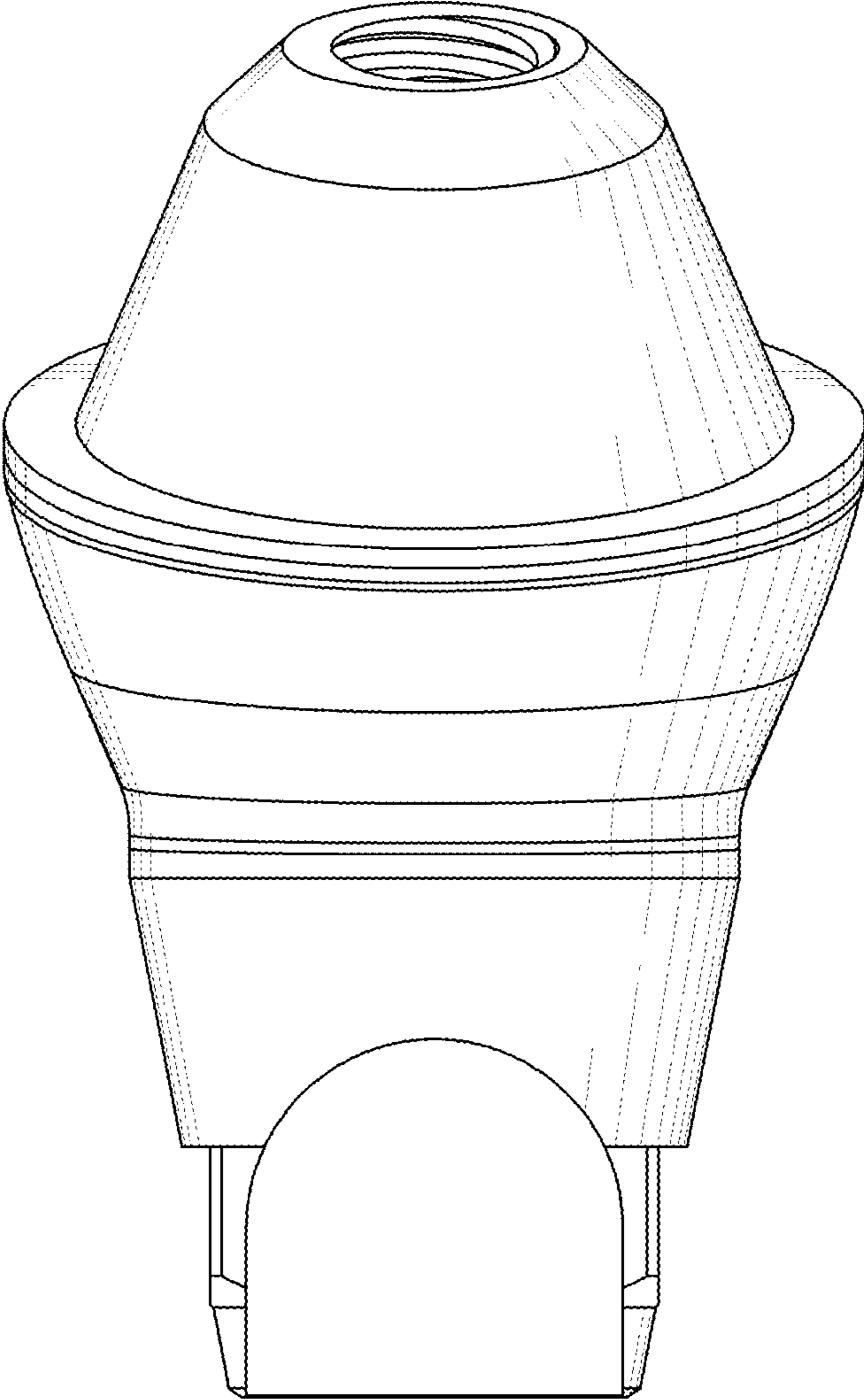


FIG. 6

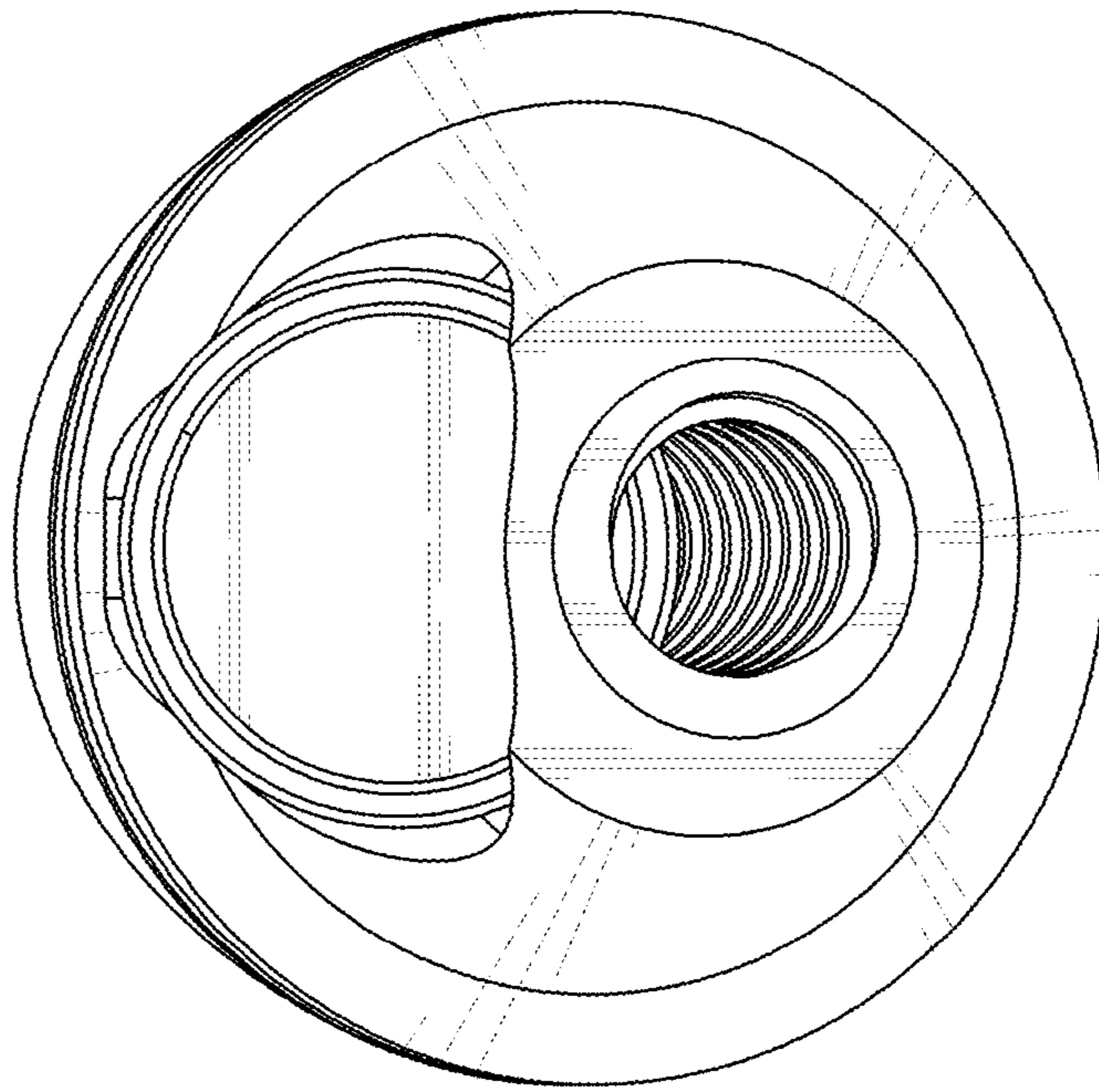


FIG. 7

