



US00D938034S

(12) **United States Design Patent**  
**Knox et al.**

(10) **Patent No.:** **US D938,034 S**  
(45) **Date of Patent:** **\*\* Dec. 7, 2021**

(54) **HUMERAL IMPLANT**

(71) Applicant: **HOWMEDICA OSTEONICS CORP.**,  
Mahwah, NJ (US)

(72) Inventors: **Kevin P. Knox**, Fort Wayne, IN (US);  
**Austin Wyatt Mutchler**, Warsaw, IN (US);  
**Shawn M. Gargac**, Fort Wayne, IN (US);  
**Alexander Paul Wolfe**, Fort Wayne, IN (US);  
**David R. Stump**, Columbia City, IN (US)

(73) Assignee: **HOWMEDICA OSTEONICS CORP.**,  
Mahwah, NJ (US)

(\*\*) Term: **15 Years**

(21) Appl. No.: **29/729,987**

(22) Filed: **Mar. 31, 2020**

(51) **LOC (13) Cl.** ..... **24-03**

(52) **U.S. Cl.**  
USPC ..... **D24/155**

(58) **Field of Classification Search**  
USPC ..... D2/617; D3/201, 203.1, 203.6, 203.7,  
D3/304, 306, 314; D8/382; D14/205,  
(Continued)

(56) **References Cited**

**U.S. PATENT DOCUMENTS**

D433,130 S \* 10/2000 Cude ..... D24/121  
D617,459 S \* 6/2010 Bogue ..... D24/155  
(Continued)

**OTHER PUBLICATIONS**

Med Gadget, "Tornier Announces First Implant in U.S. Trial of Its Simpliciti Stemless Shoulder Joint Replacement System", first available Aug. 5, 2011. (<https://www.medgadget.com/2011/08/tornier-announces-first-implant-in-u-s-trial-of-its-simpliciti-stemless-shoulder-joint-replacement-system.html>) (Year: 2011).\*

(Continued)

*Primary Examiner* — Christian P. McLean

*Assistant Examiner* — Justin A Johnson

(74) *Attorney, Agent, or Firm* — Duane Morris LLP

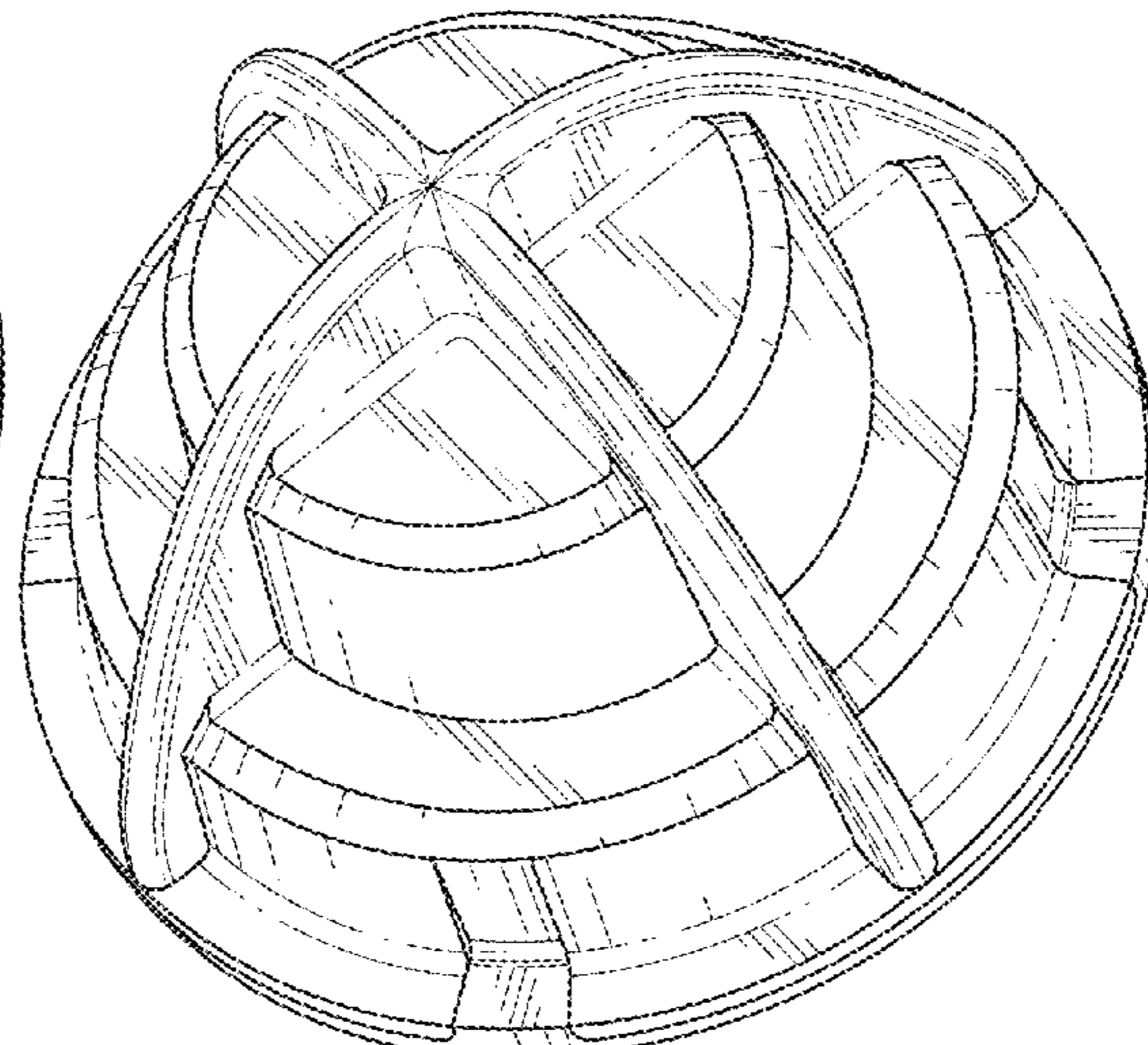
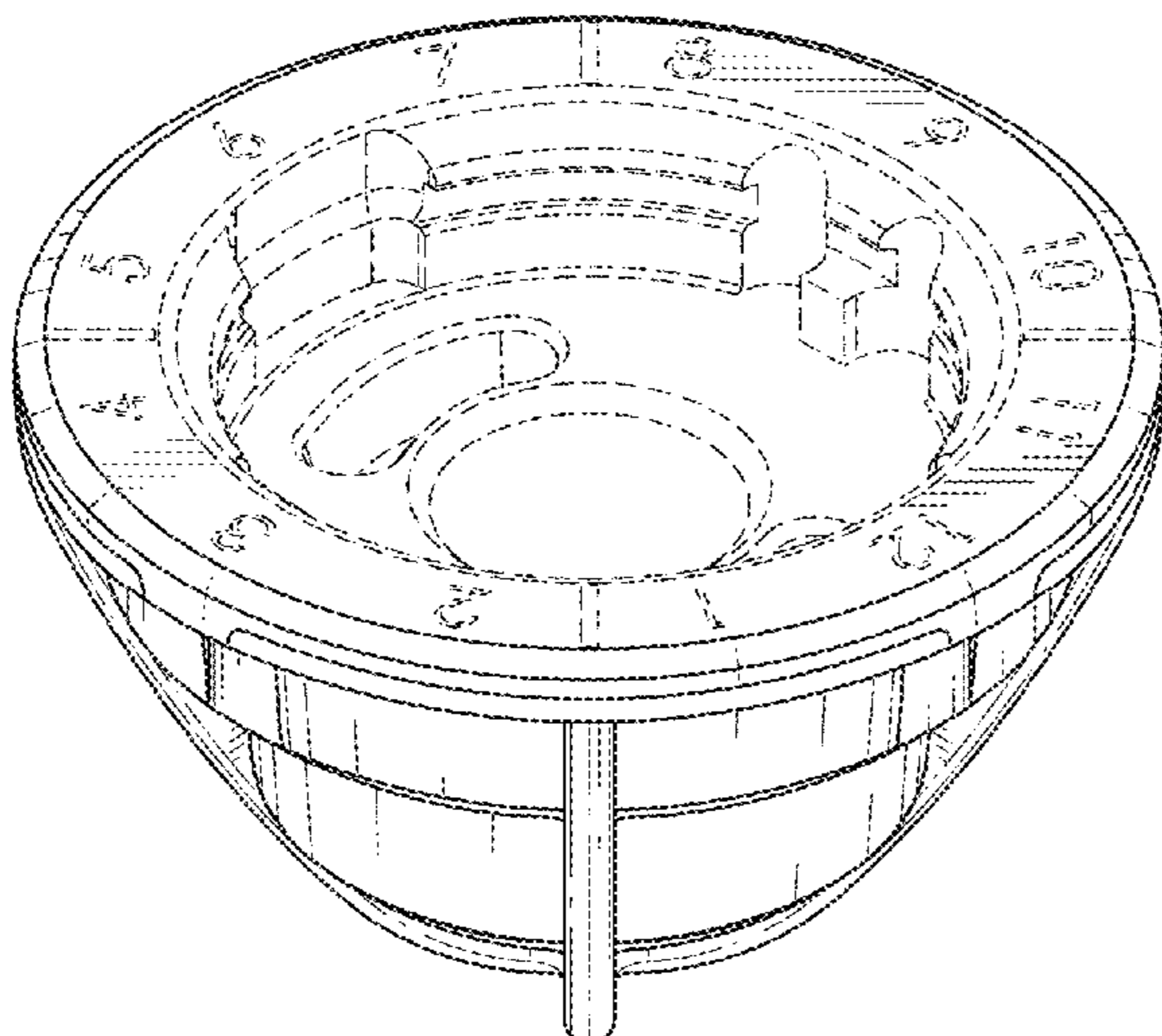
(57) **CLAIM**

The ornamental design for a humeral implant, as shown and described.

**DESCRIPTION**

FIG. 1 is a top perspective view of an embodiment of a humeral implant of our design;  
FIG. 2 is a bottom perspective view thereof;  
FIGS. 3-6 are side views thereof;  
FIG. 7 is a top view thereof; and  
FIG. 8 is a bottom view thereof.  
FIG. 9 is a top perspective view of another embodiment of a humeral implant of our design;  
FIG. 10 is a bottom perspective view of the design of FIG. 9;  
FIGS. 11-14 are side views of the design of FIG. 9;  
FIG. 15 is a top view of the design of FIG. 9; and  
FIG. 16 is a bottom view of the design of FIG. 9.  
FIG. 17 is a top perspective view of another embodiment of a humeral implant of our design;  
FIG. 18 is a bottom perspective view of the design of FIG. 17;  
FIGS. 19-22 are side views of the design of FIG. 17;  
FIG. 23 is a top view of the design of FIG. 17; and  
FIG. 24 is a bottom view of the design of FIG. 17.  
FIG. 25 is a top perspective view of another embodiment of a humeral implant of our design;  
FIG. 26 is a bottom perspective view of the design of FIG. 25;  
FIGS. 27-30 are side views of the design of FIG. 25;  
FIG. 31 is a top view of the design of FIG. 25; and  
FIG. 32 is a bottom view of the design of FIG. 25.  
The broken lines immediately adjacent to the shaded areas depict the bounds of the claimed design, while all other broken lines are directed to environment. The broken lines form no part of the claimed design.

**1 Claim, 20 Drawing Sheets**



**(58) Field of Classification Search**

USPC ..... D14/223; D15/199; D24/101, 102, 104,  
 D24/133, 141, 155, 171, 188, 190, 193,  
 D24/194, 196, 216, 224, 227, 228, 229,  
 D24/231; D29/123  
 CPC .. A41D 19/00; A41D 19/0017; A41D 19/015;  
 A41D 19/0055; A61B 17/80; A61B  
 2017/00292; A61B 2017/00796; A61B  
 2017/00969; A61B 50/30; A61B 50/33;  
 A61F 2/00; A61F 2/02; A61F 2002/046;  
 A61F 2/12; A61F 2/20; A61F 2/203;  
 A61F 2/26; A61F 2/28; A61F 2002/2853;  
 A61F 2/30; A61F 2/50; A61F 2002/5038;  
 A61F 2002/5058; A61F 2002/5064; A61F  
 2/52; A61F 2002/526; A61F 2/54; A61F  
 2/58; A61F 2/583; A61F 2/60; A61F  
 2/604; A61F 2/64; A61F 2/66; A61F  
 2002/6614; A61F 2002/6621; A61F  
 2002/6628; A61F 2/82; A61F 2/86; A61F  
 2/88; A61F 2/885; A61F 2/4014; A61F  
 2002/4018; A61F 2002/4022; A61F  
 2002/4029; A61F 2002/4033; A61F  
 2002/4037; A61F 2002/4044; A61F  
 2002/4051; A61F 2/4059; A61F  
 2002/4062; A61F 2002/4066; A61F  
 2002/407; A61F 2002/4074; A61F  
 2002/4077; A61F 2/4081; A61F  
 2002/4085; A61N 1/05; A61N 1/0551;  
 A61N 1/20; A61M 16/04

See application file for complete search history.

**(56)**

**References Cited**

U.S. PATENT DOCUMENTS

D705,438	S *	5/2014	Wainwright	.....	D24/216
D743,552	S *	11/2015	Bronnimann	.....	D24/155
D765,260	S *	8/2016	Sparr	.....	D24/190
D776,295	S *	1/2017	Wainwright	.....	D24/224
10,722,373	B2 *	7/2020	Hodorek	.....	A61F 2/4014
D896,369	S *	9/2020	Chase	.....	D24/123
D908,874	S *	1/2021	Conklin	.....	D24/140
2013/0245775	A1 *	9/2013	Metcalfe	.....	A61F 2/4684 623/19.12
2014/0236304	A1 *	8/2014	Hodorek	.....	A61B 17/8875 623/19.14
2017/0304063	A1 *	10/2017	Hatzidakis	.....	A61F 2/4003
2020/0214845	A1 *	7/2020	Knox	.....	A61F 2/4612

OTHER PUBLICATIONS

Wright Media, "Tornier Aequalis Reversed FX", first available May 19, 2016. ([https://www.wrightmedia.com/ProductFiles/Files/PDFs/CAW-1146\\_EN\\_LR\\_LE.pdf](https://www.wrightmedia.com/ProductFiles/Files/PDFs/CAW-1146_EN_LR_LE.pdf)) (Year: 2016).\*

Wright Media, "Aequalis Ascend Flex", first available Jul. 30, 2019. ([https://www.wrightmedia.com/ProductFiles/Files/PDFs/AP-010187\\_EN\\_LR\\_LE.pdf](https://www.wrightmedia.com/ProductFiles/Files/PDFs/AP-010187_EN_LR_LE.pdf)) (Year: 2019).\*

Arthrex, "Univers Revers Shoulder System", first available Apr. 24, 2019. ([https://www.arthrex.com/resources/surgical-technique-guide/qkv6M00\\_50qt2QFBx1PKnA/univers-revers-shoulder-system](https://www.arthrex.com/resources/surgical-technique-guide/qkv6M00_50qt2QFBx1PKnA/univers-revers-shoulder-system)) (Year: 2019).\*

\* cited by examiner

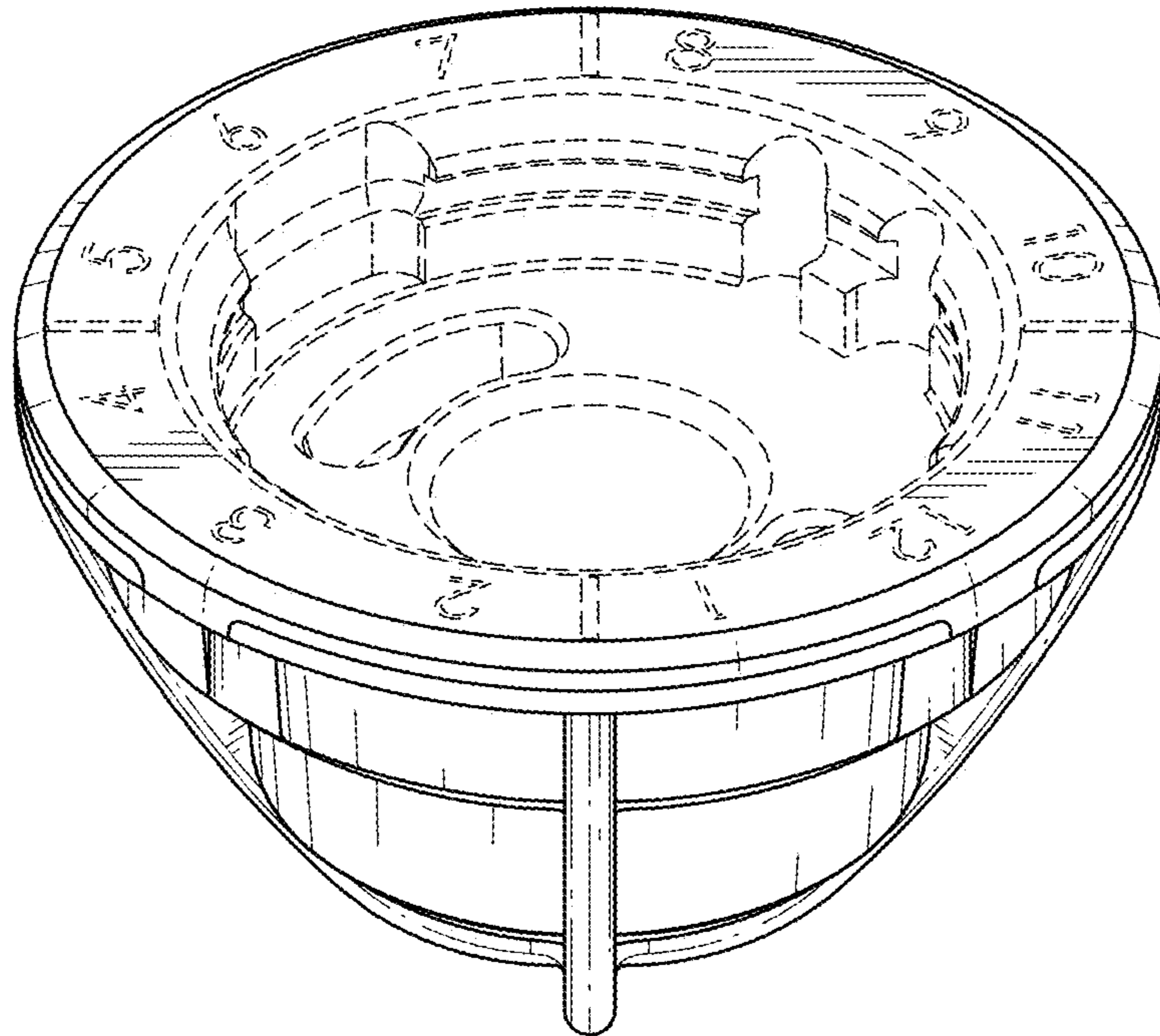


FIG. 1

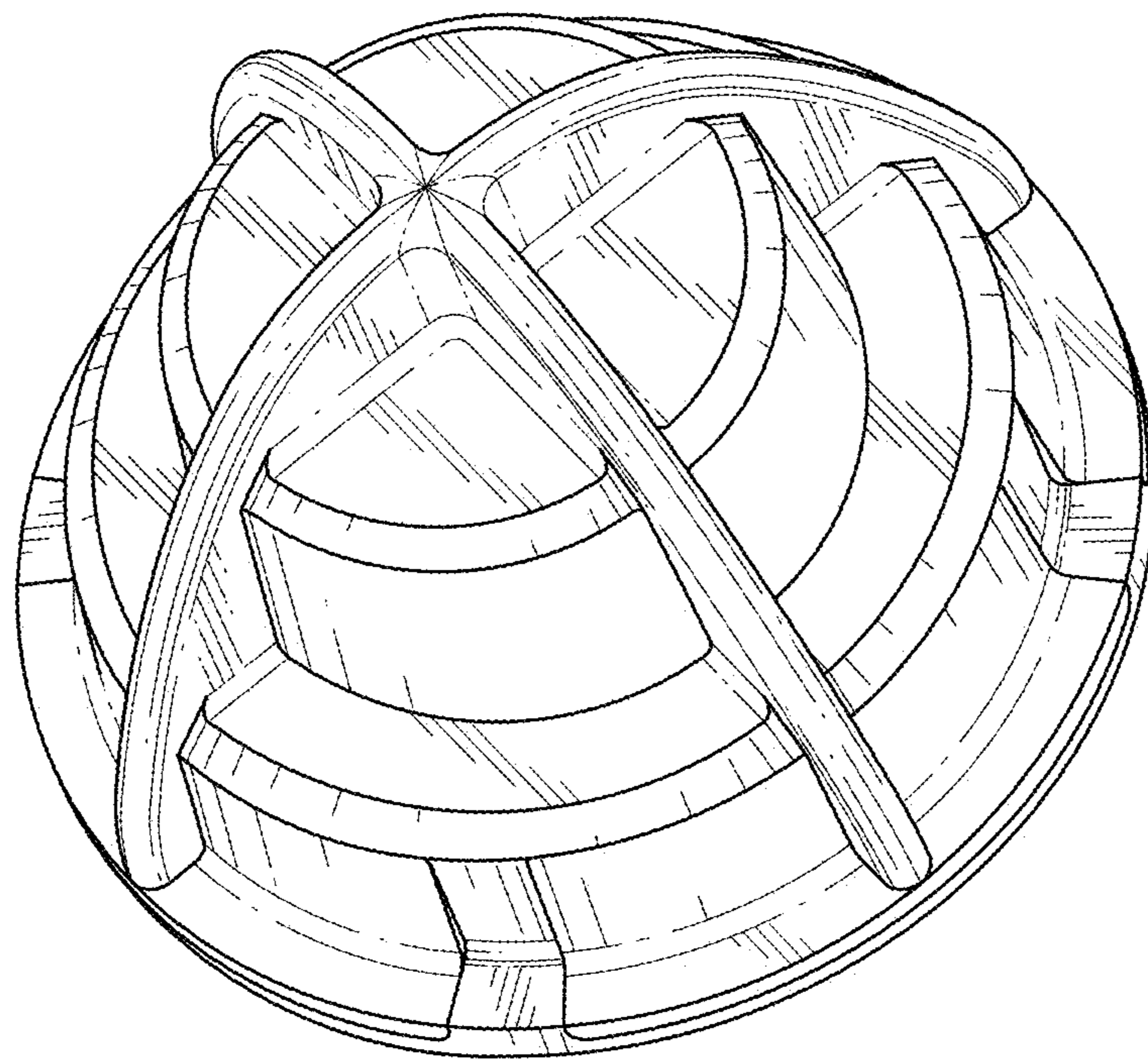


FIG. 2

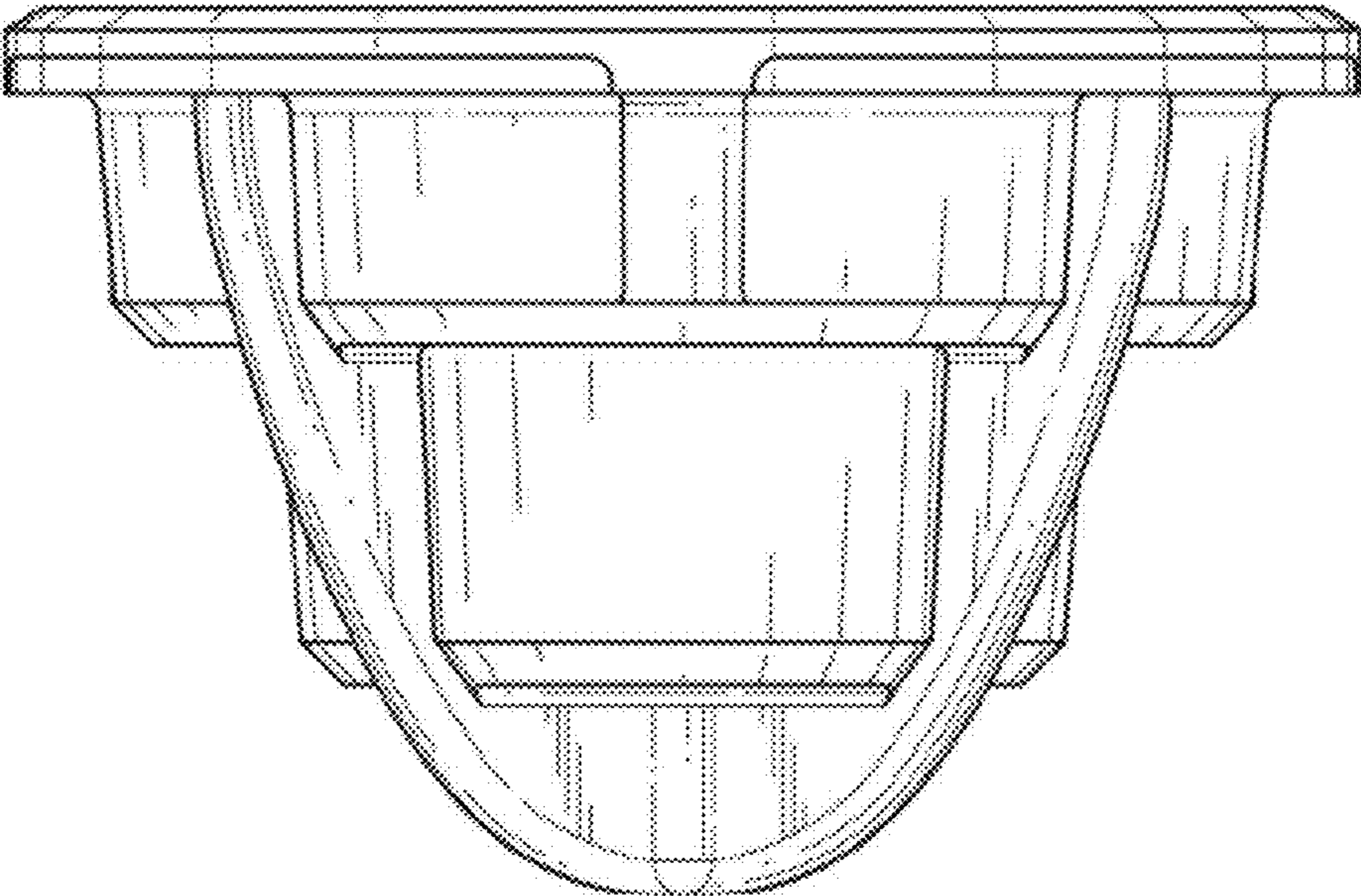


Fig. 3

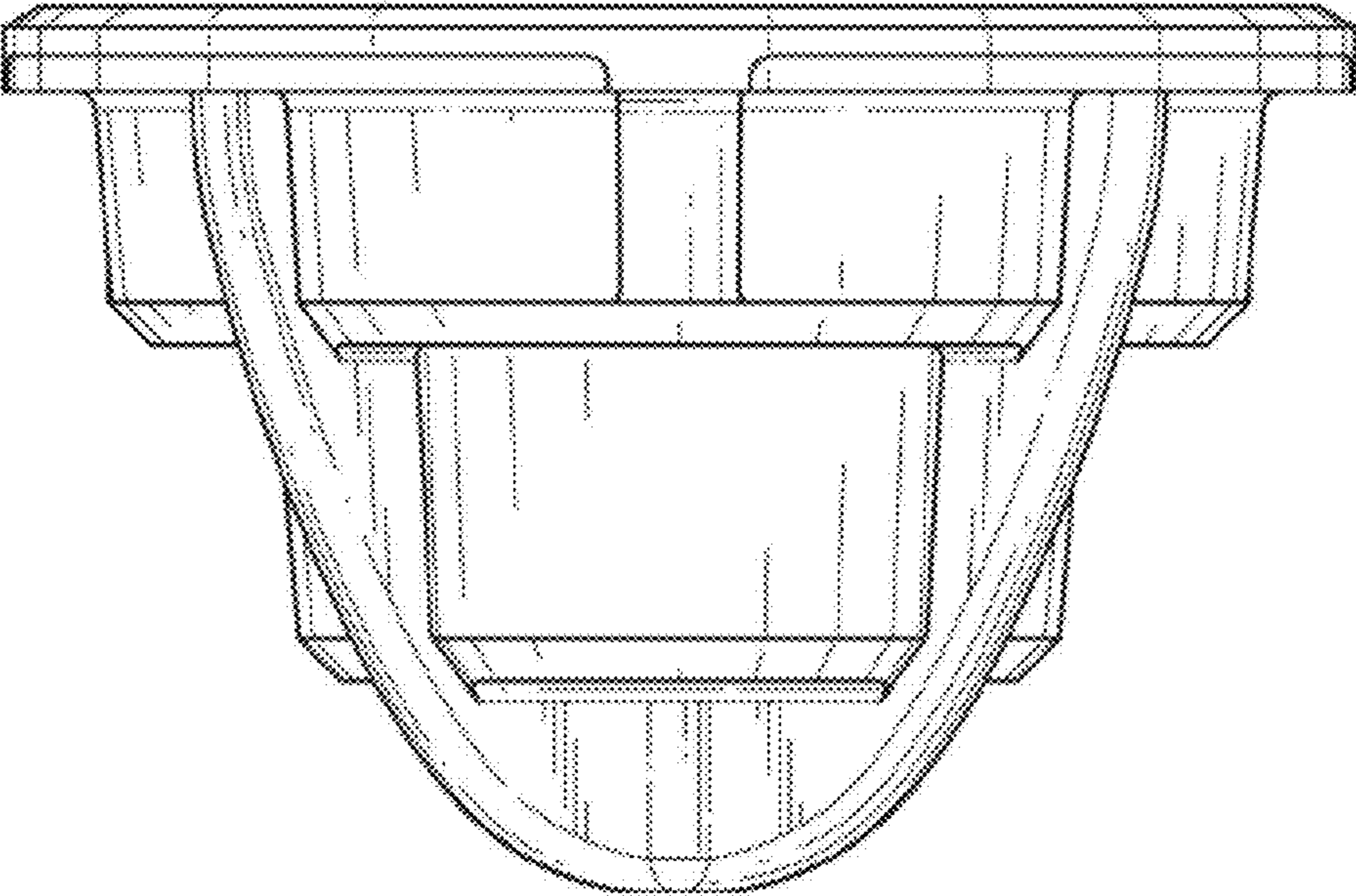


Fig. 4

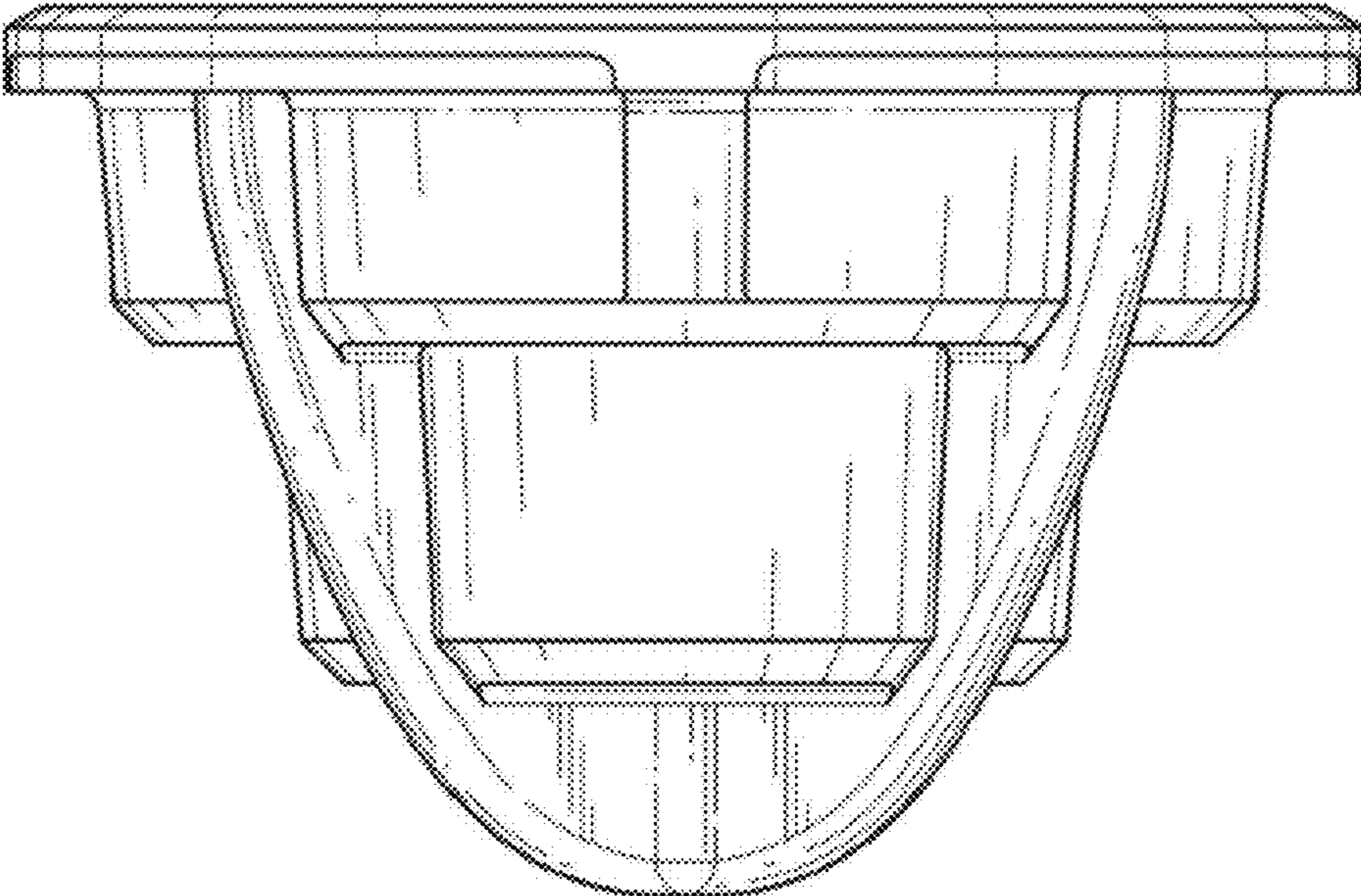


Fig. 5

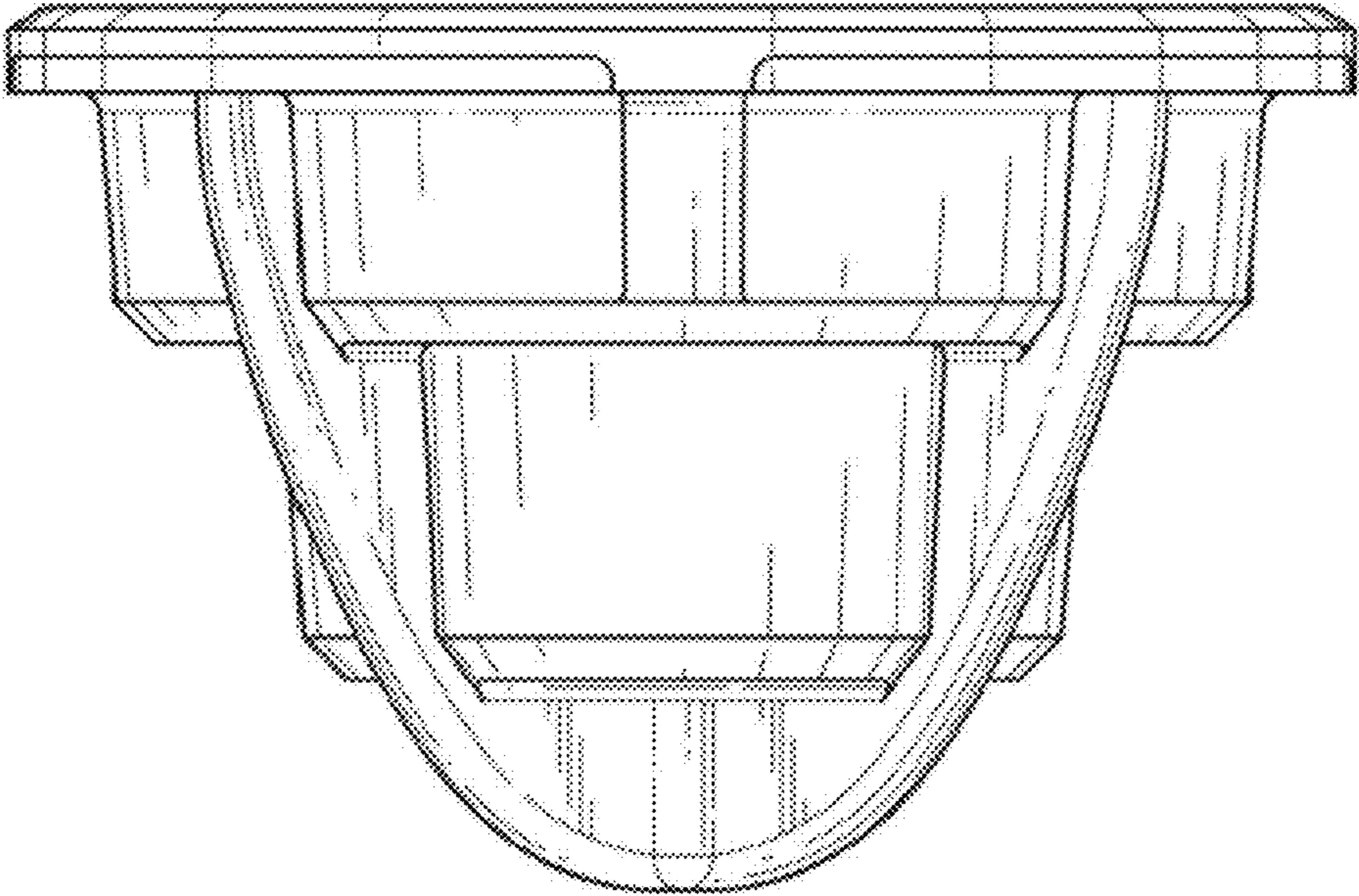


Fig. 6

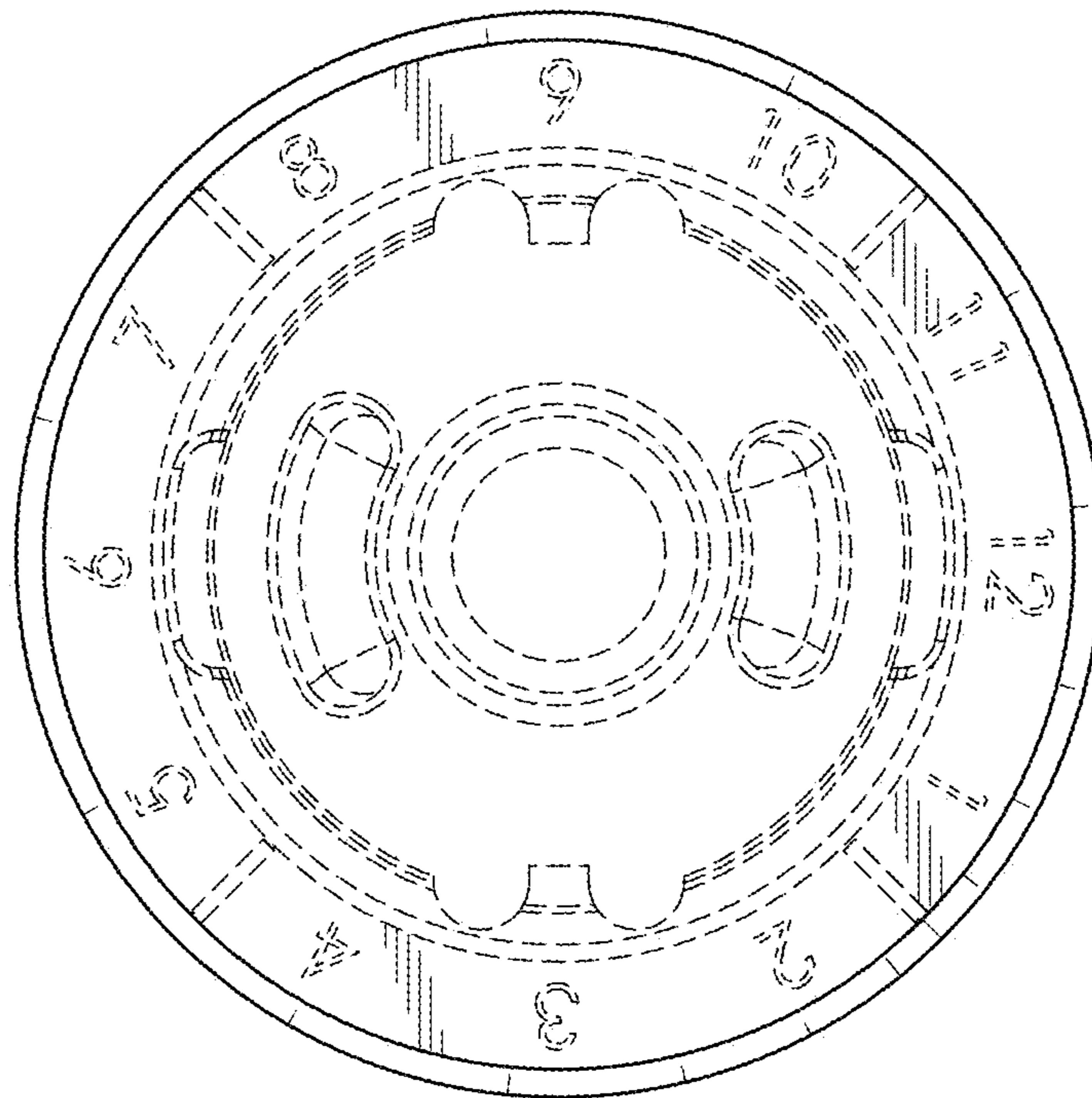
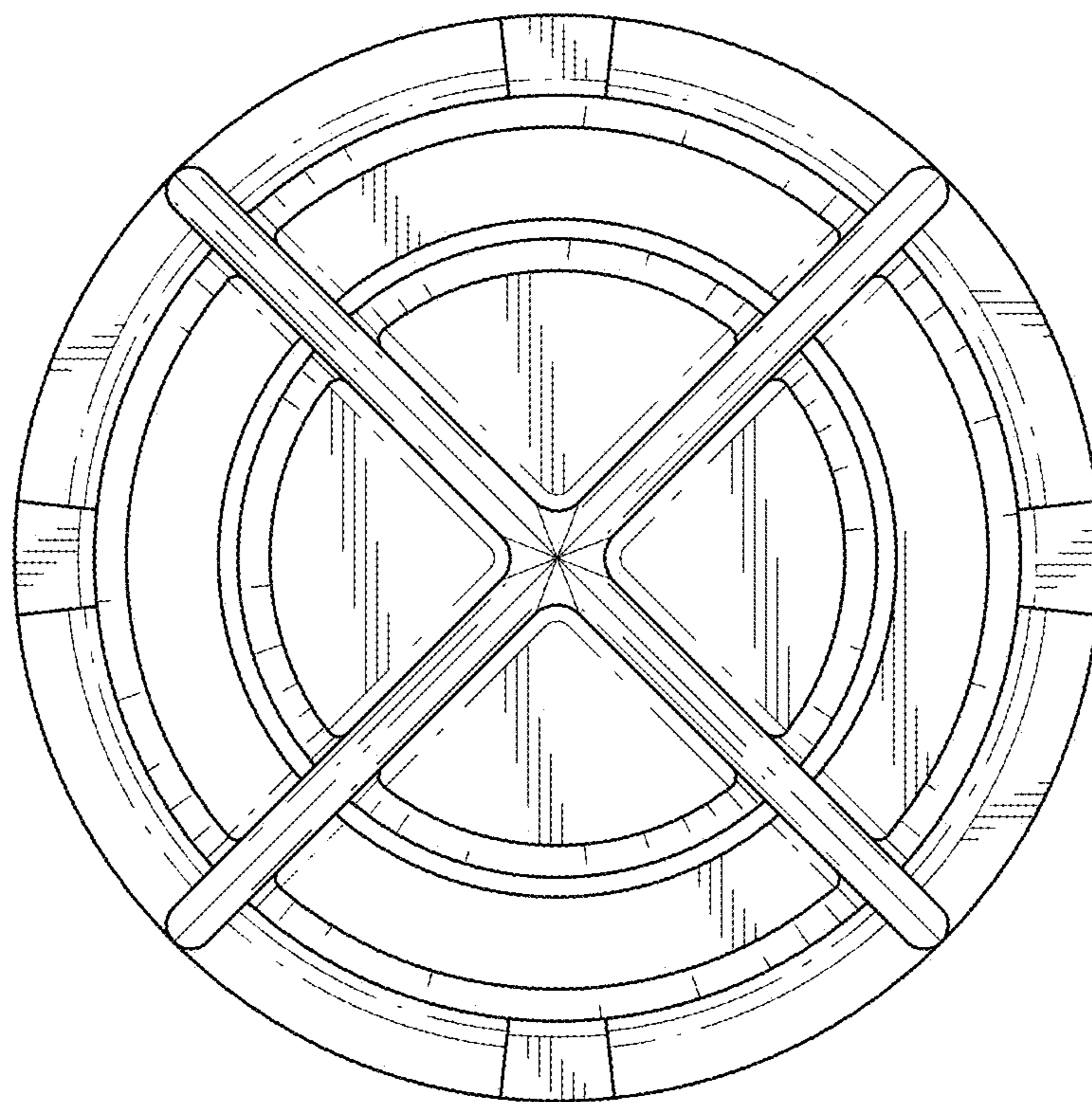


FIG. 7



*FIG. 8*

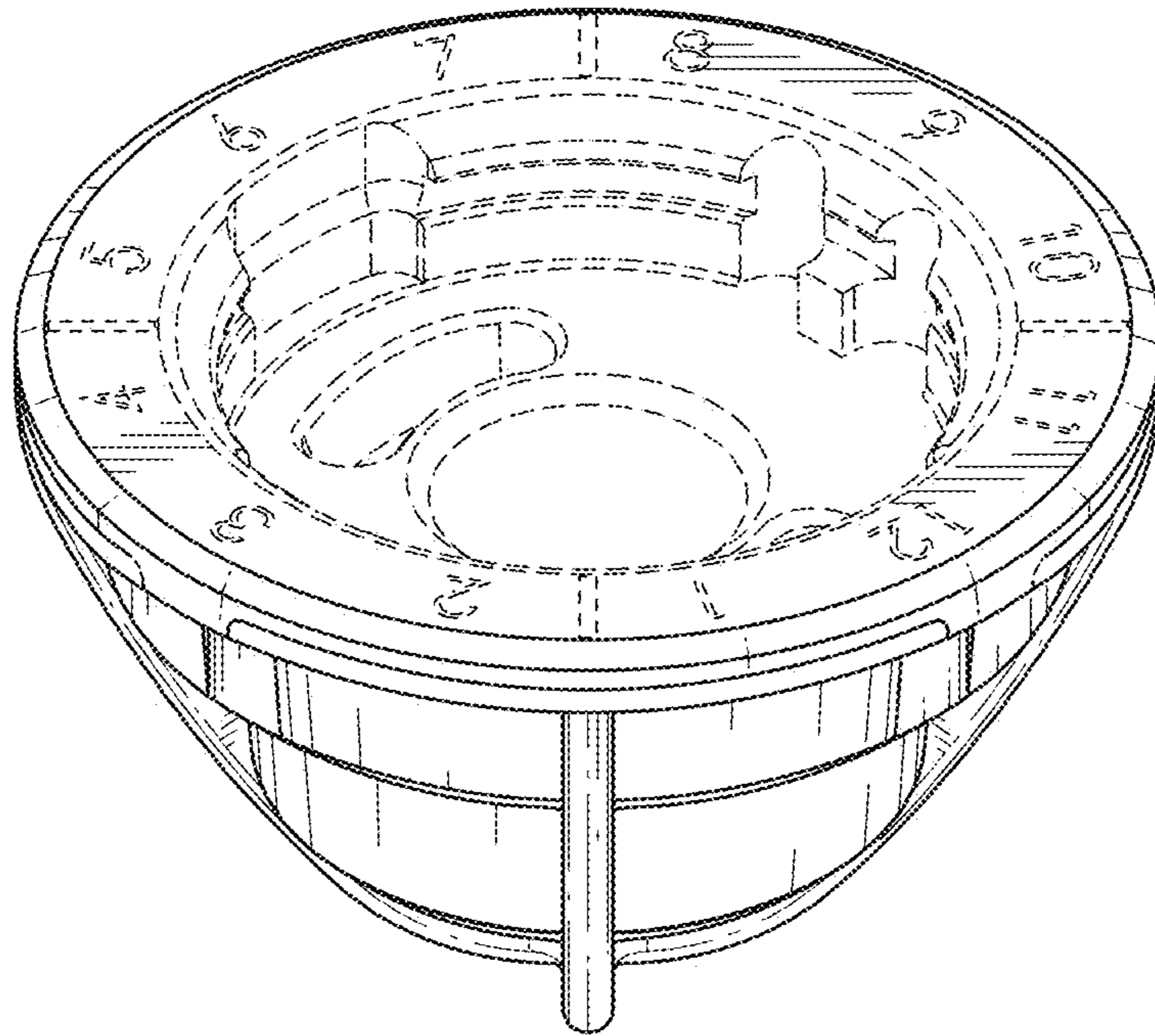


FIG. 9

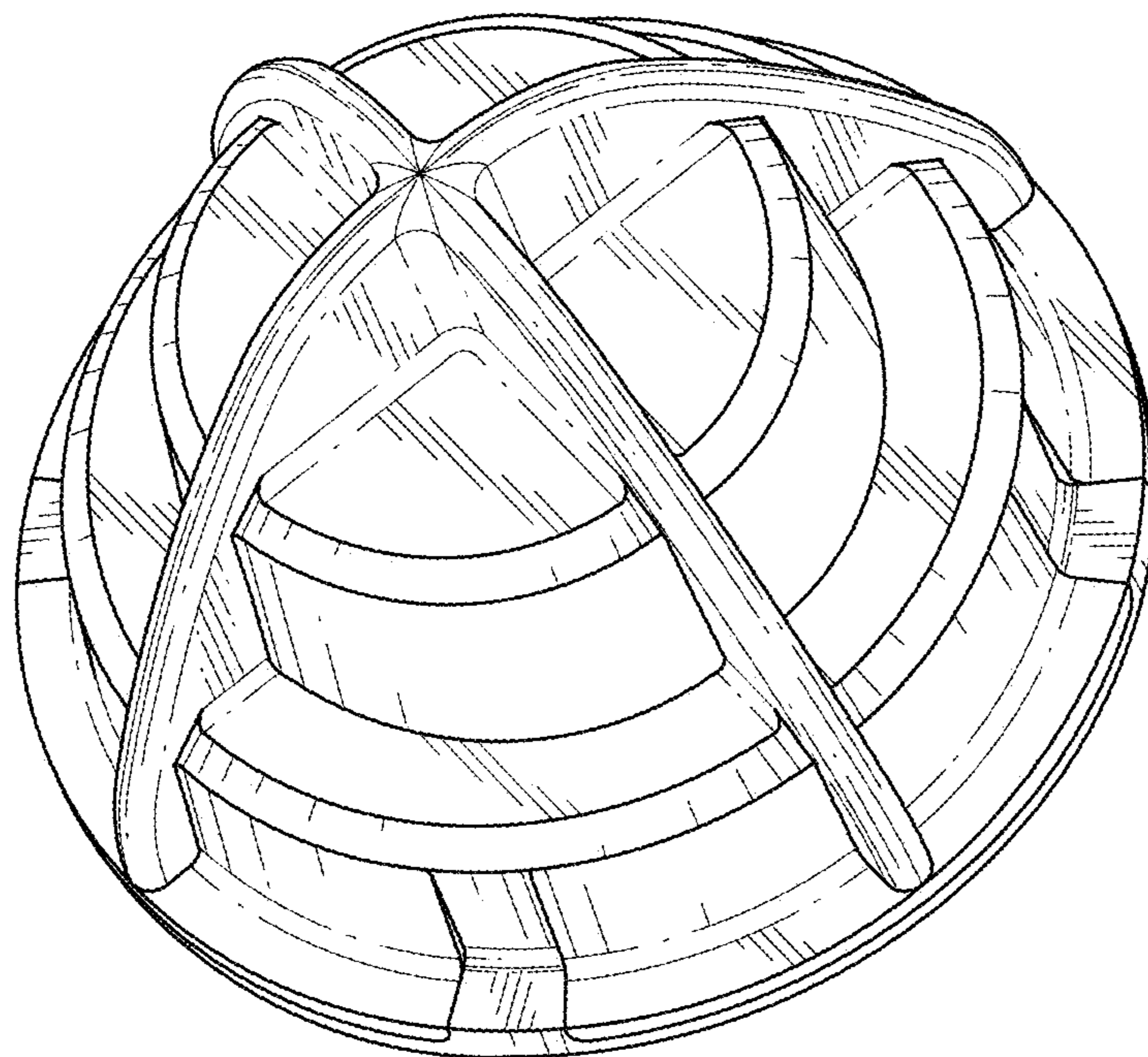
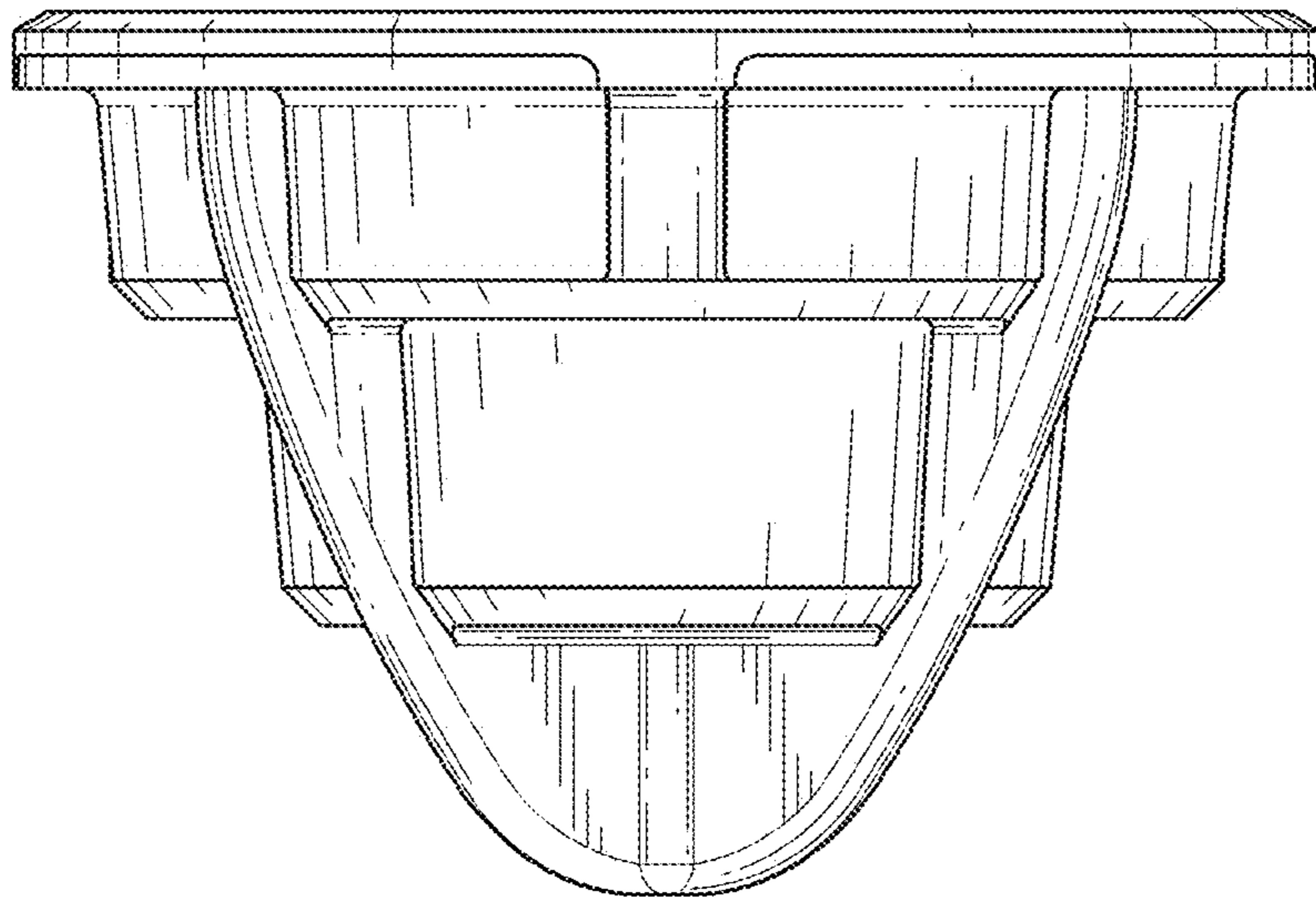
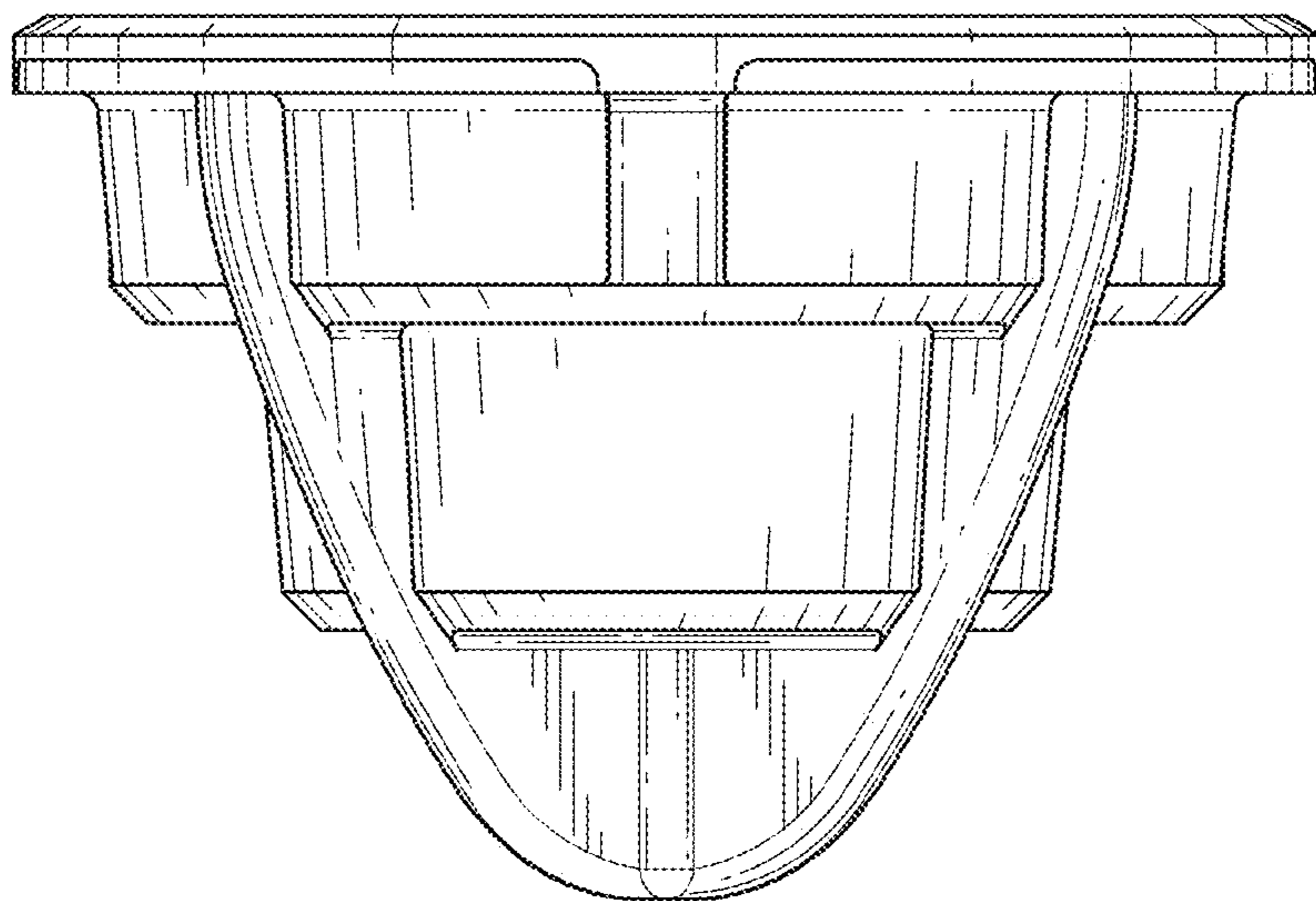


FIG. 10

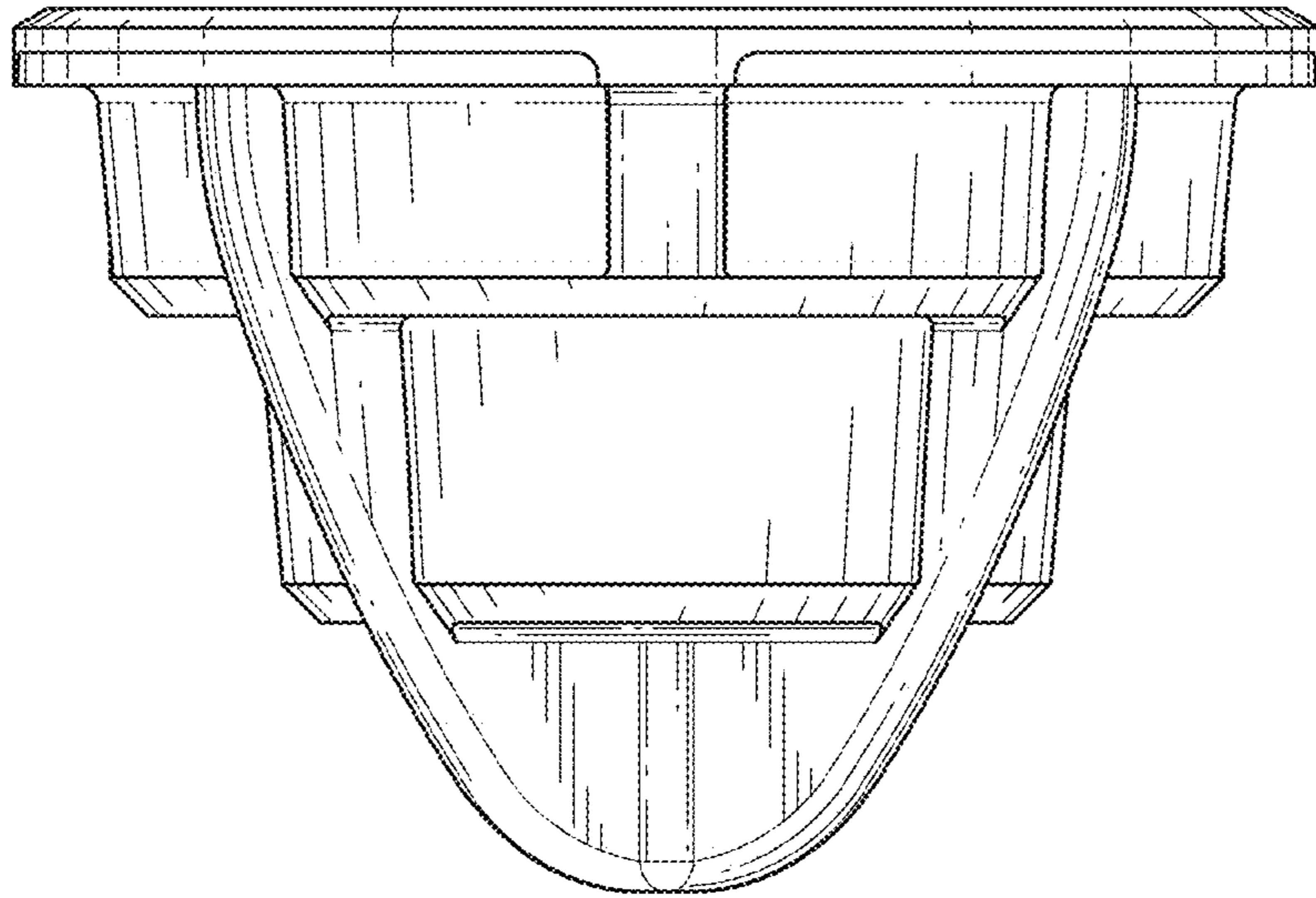




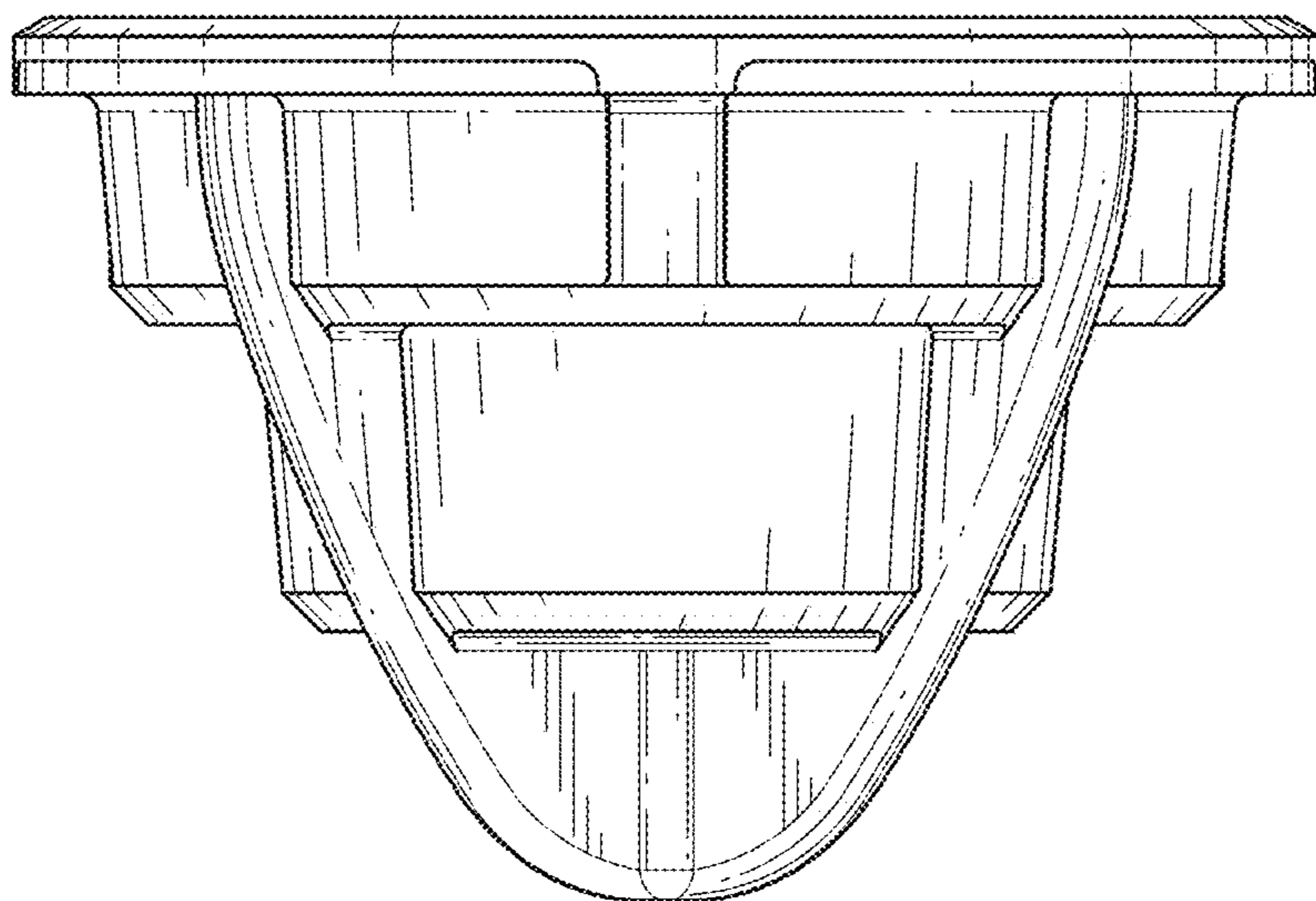
*FIG. 11*



*FIG. 12*



*FIG. 13*



*FIG. 14*

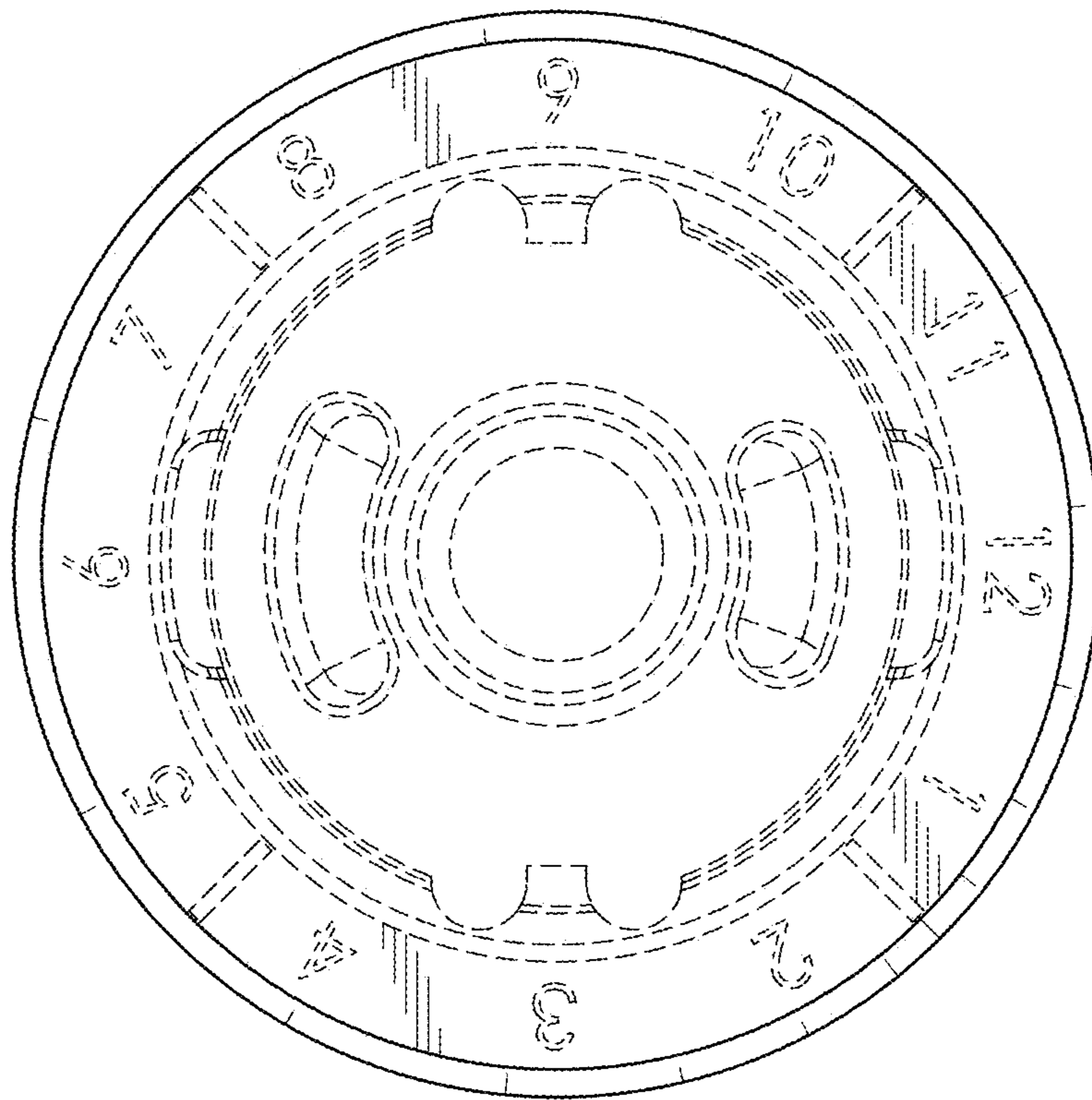
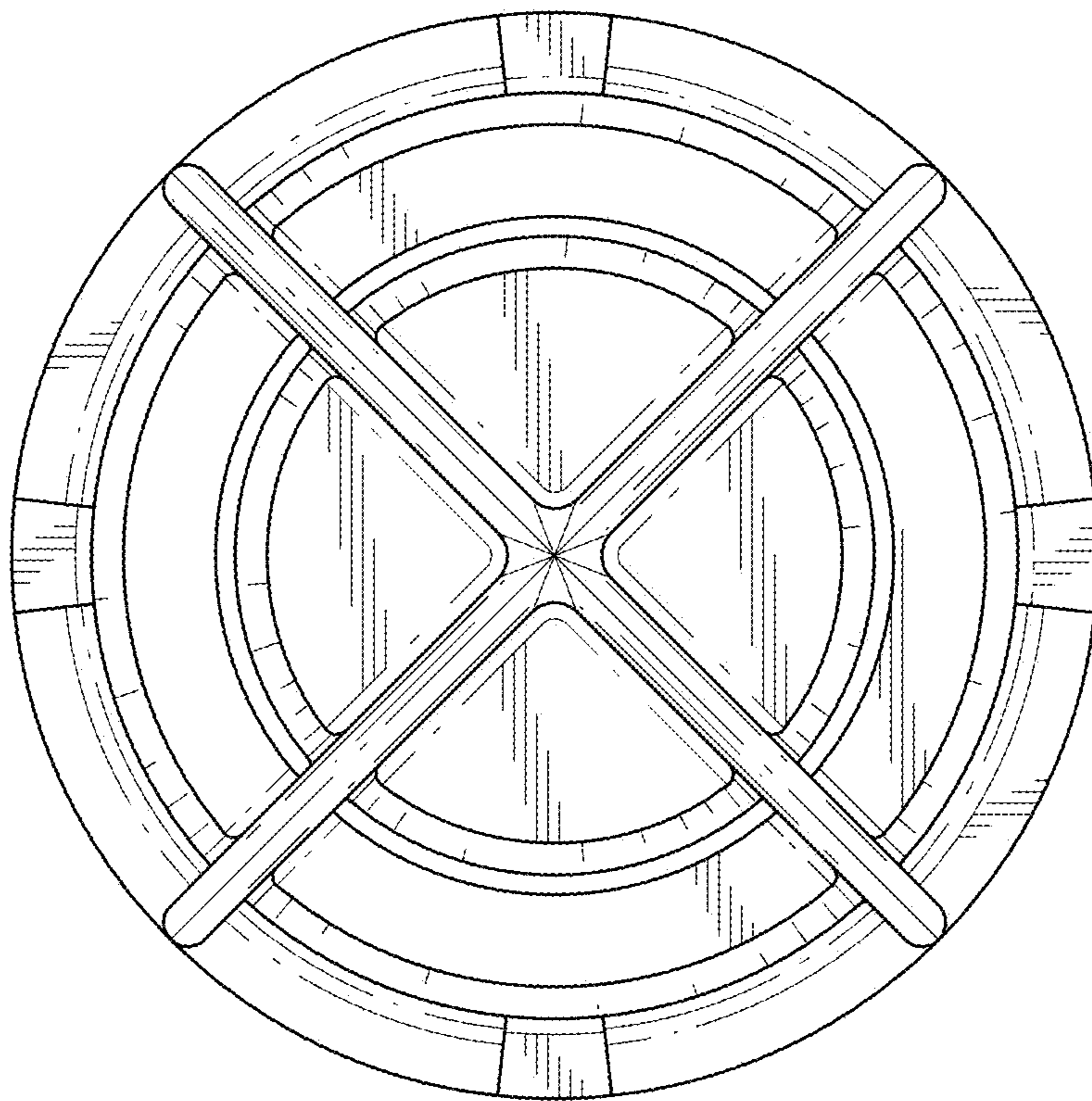


FIG. 15



*FIG. 16*

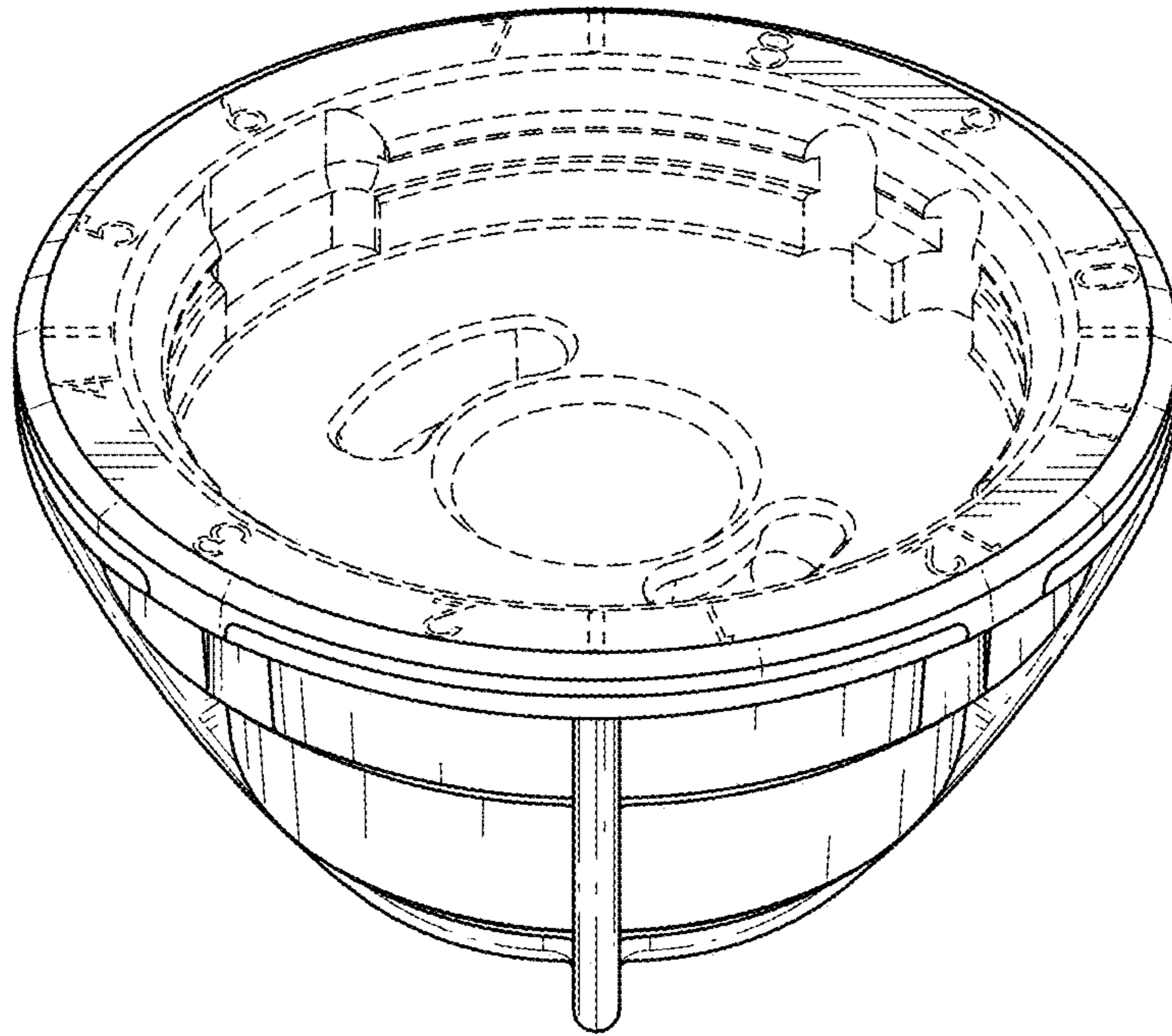


FIG. 17

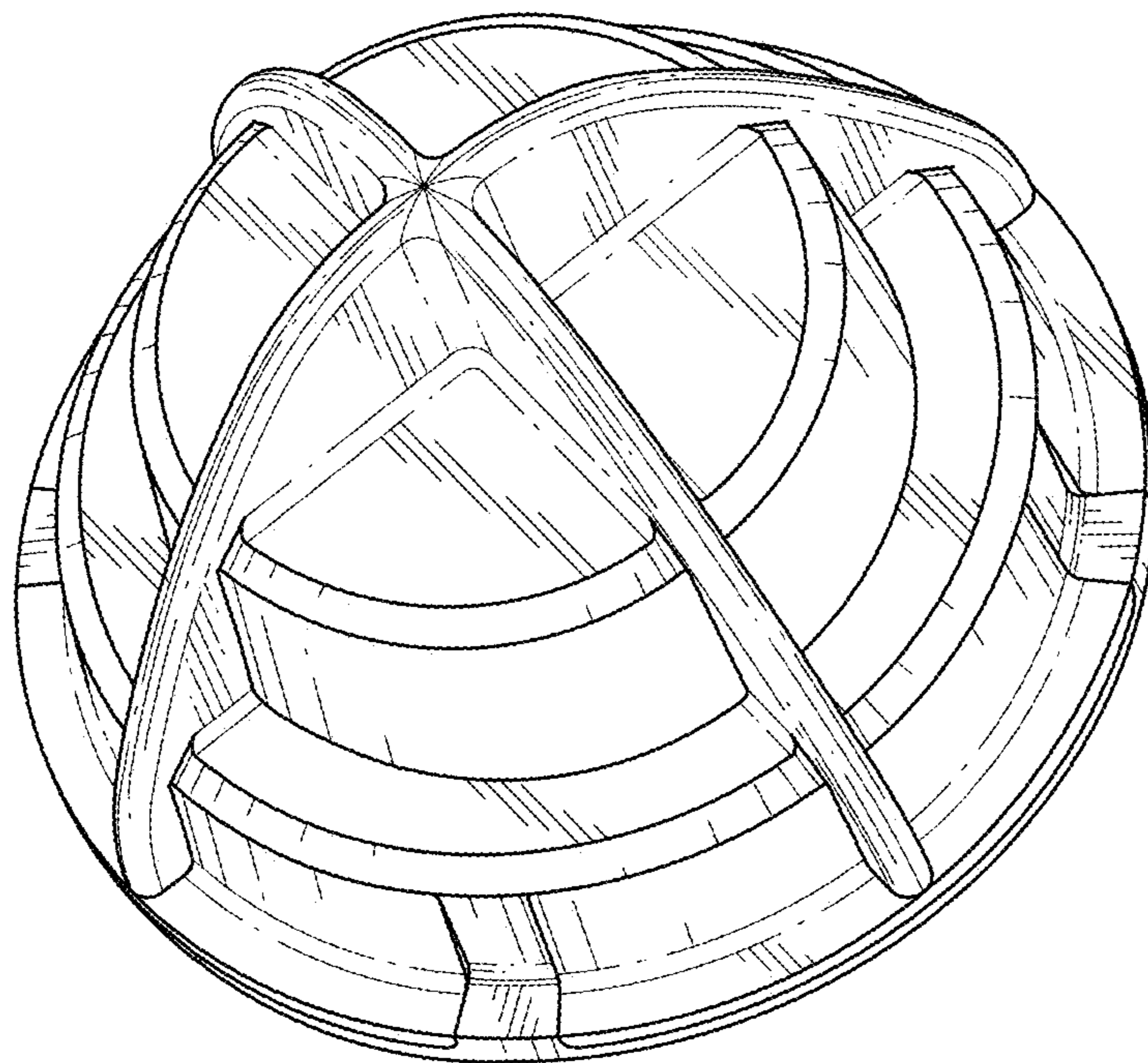
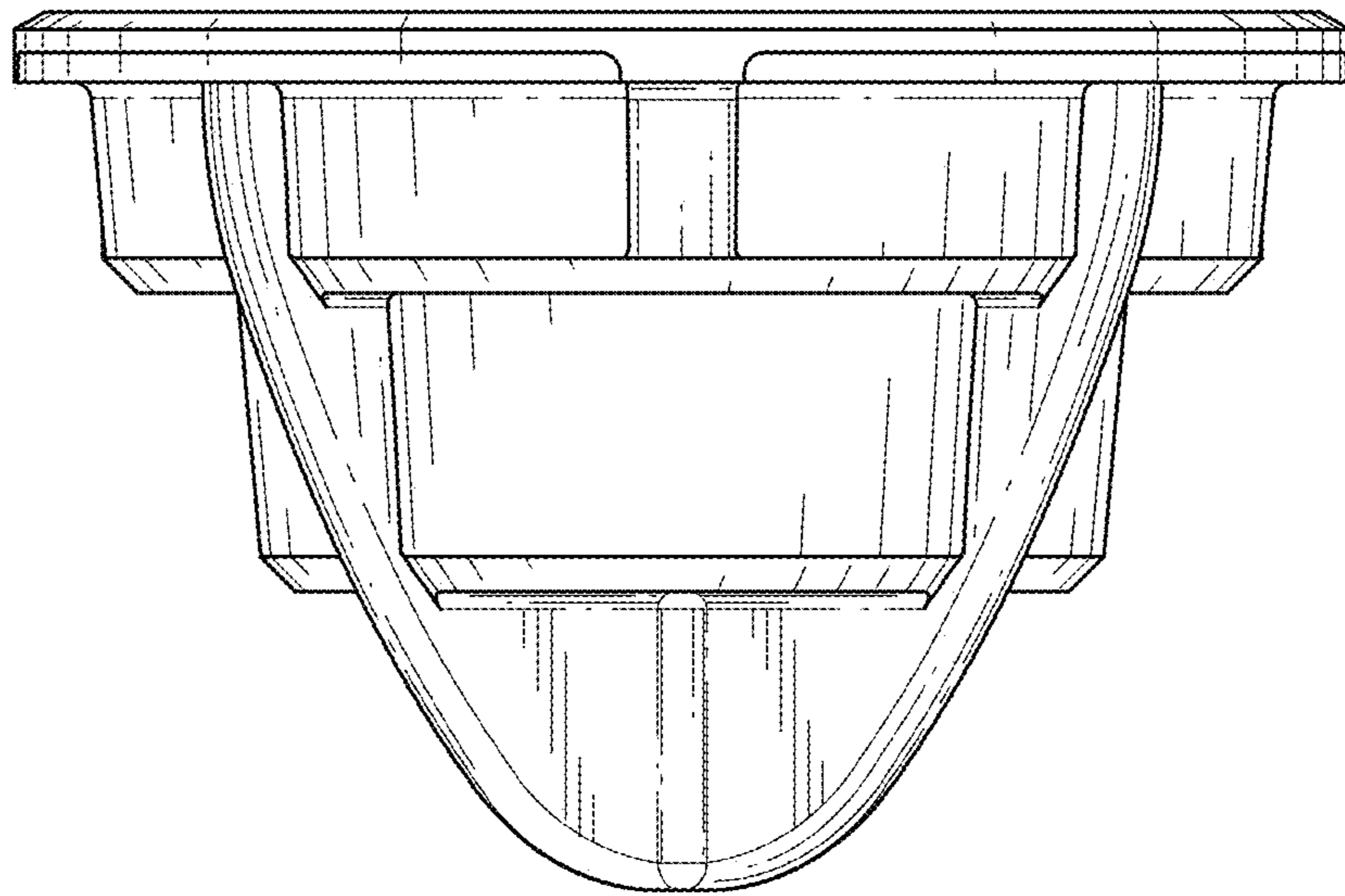
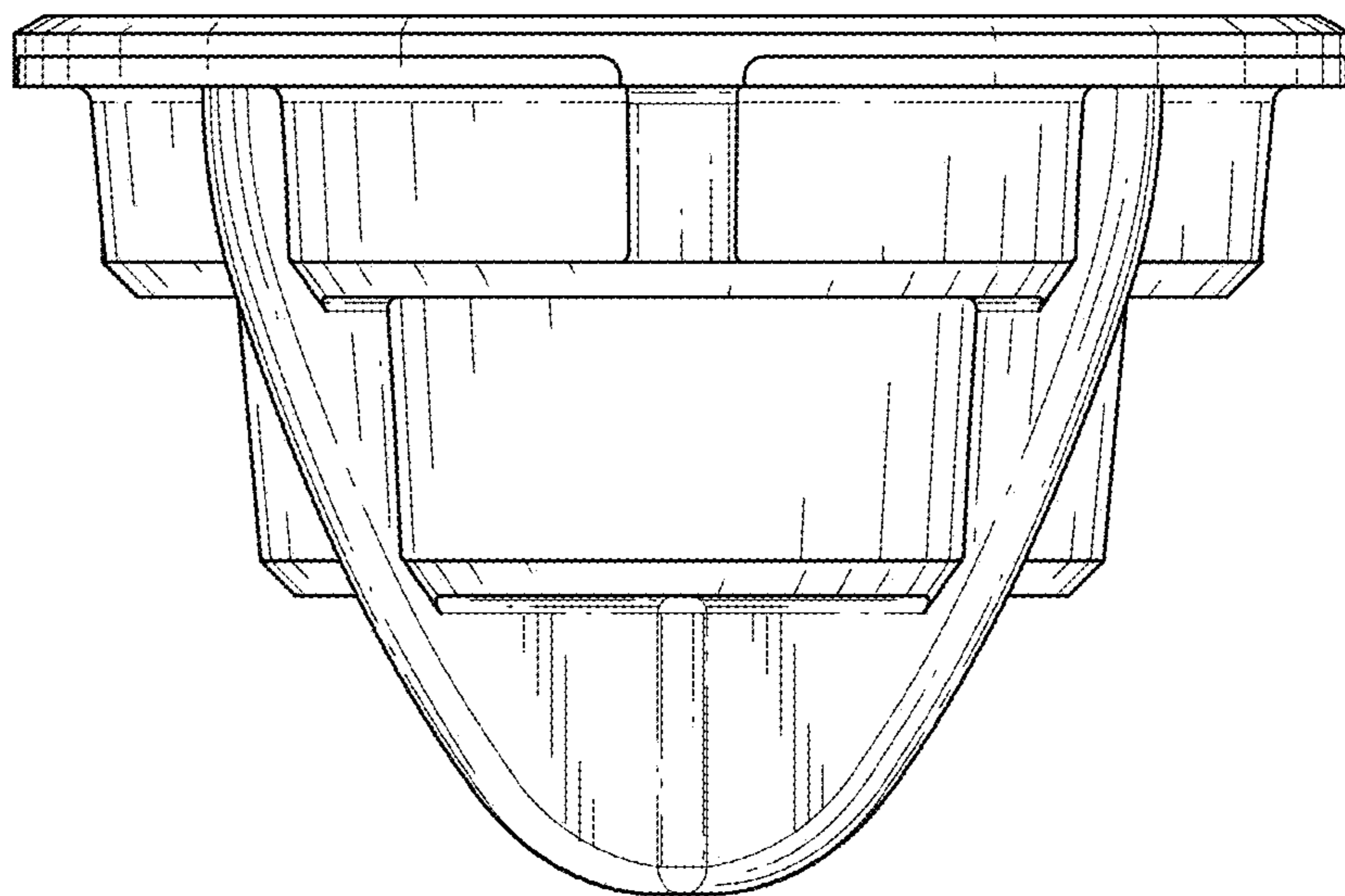


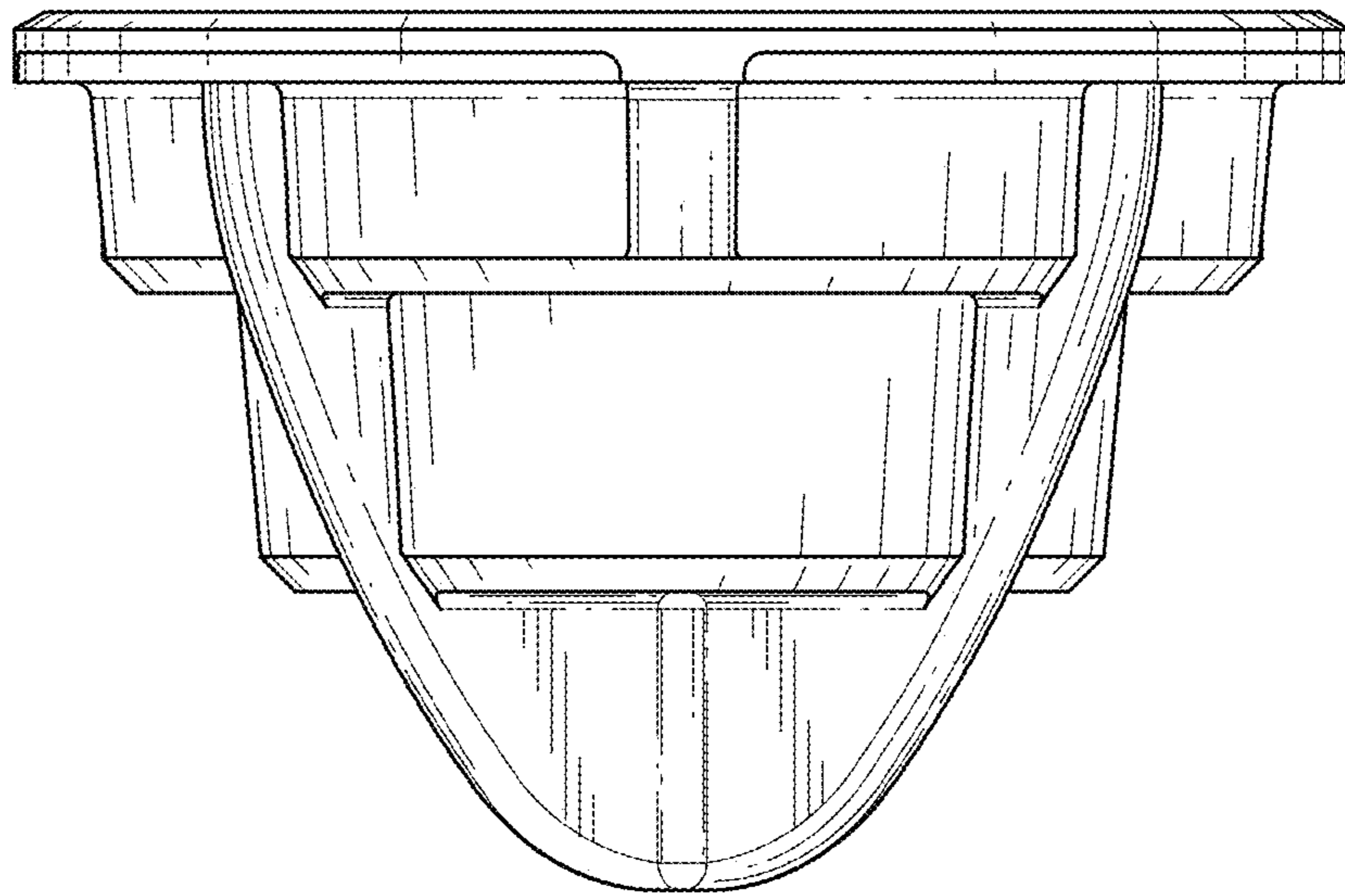
FIG. 18



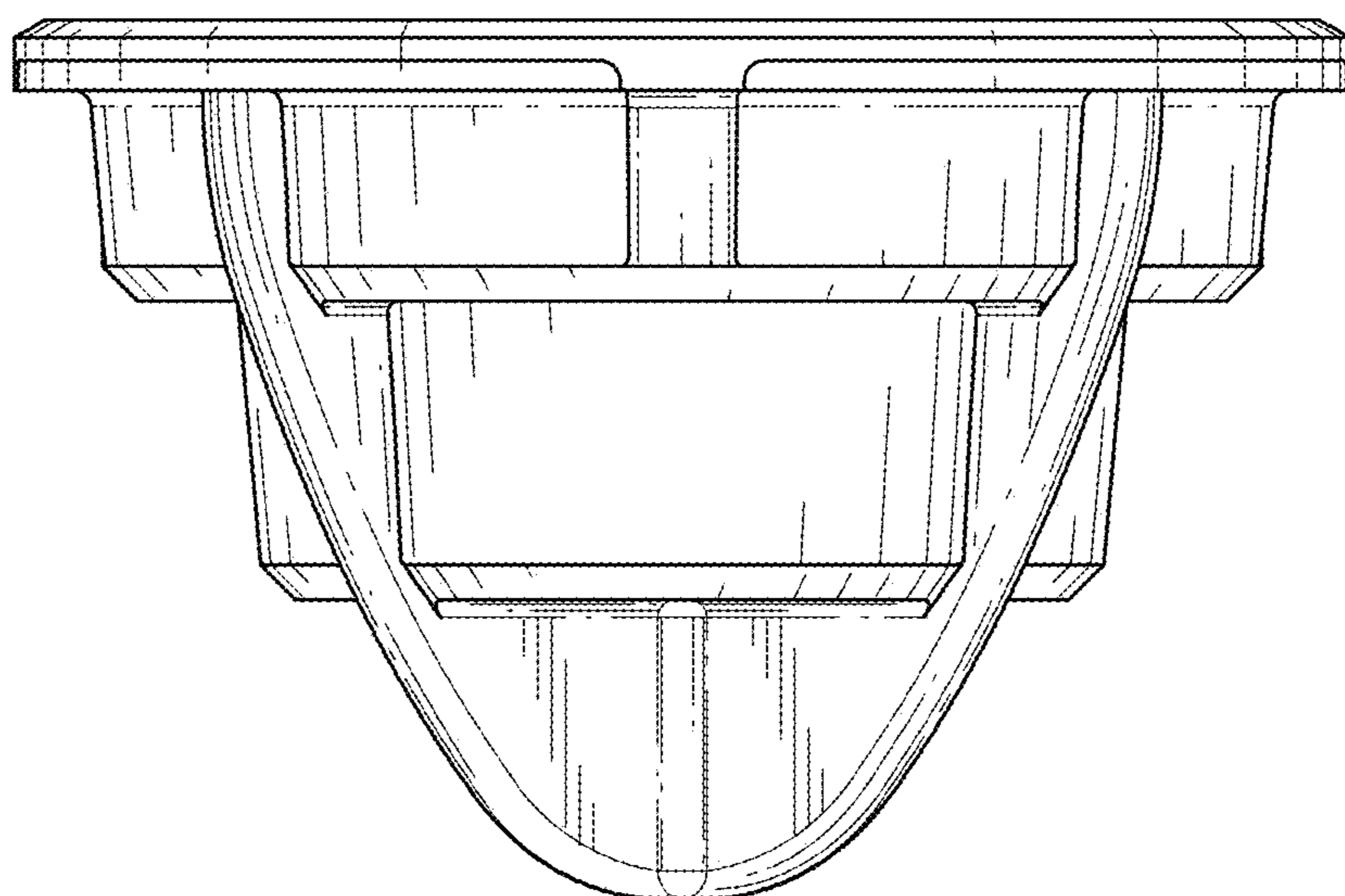
*FIG. 19*



*FIG. 20*



*FIG. 21*



*FIG. 22*

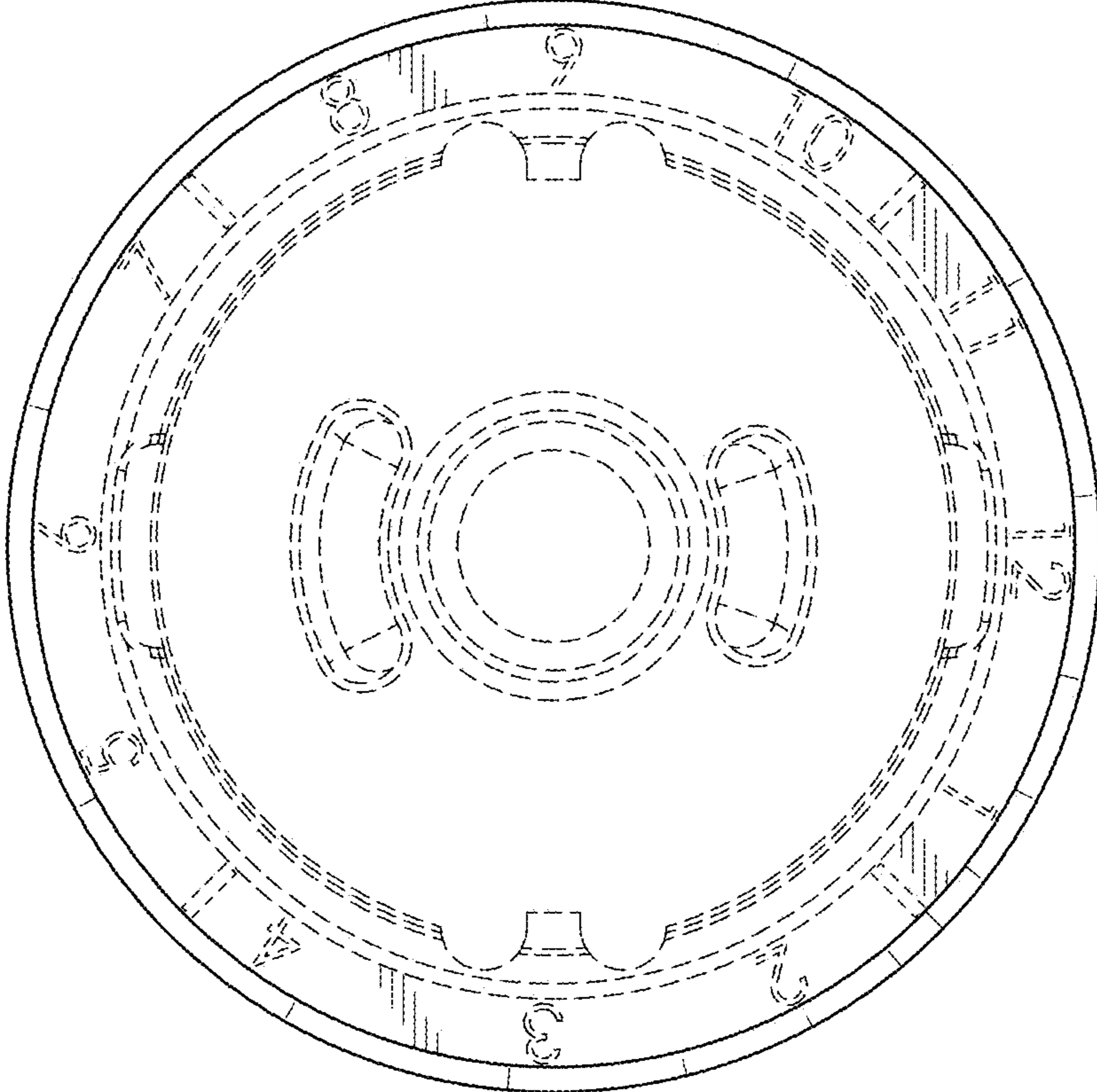


FIG. 23



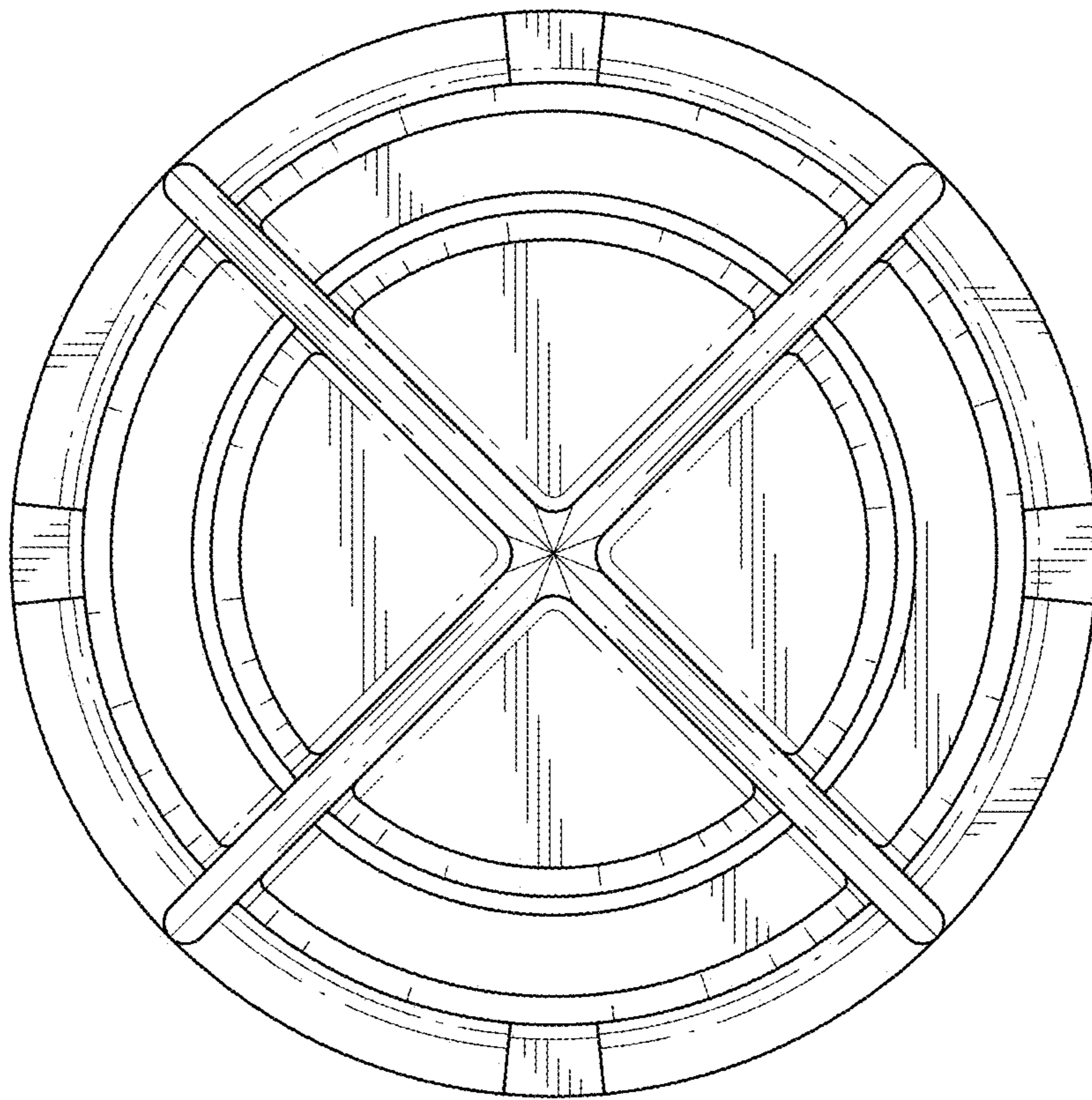


FIG. 24

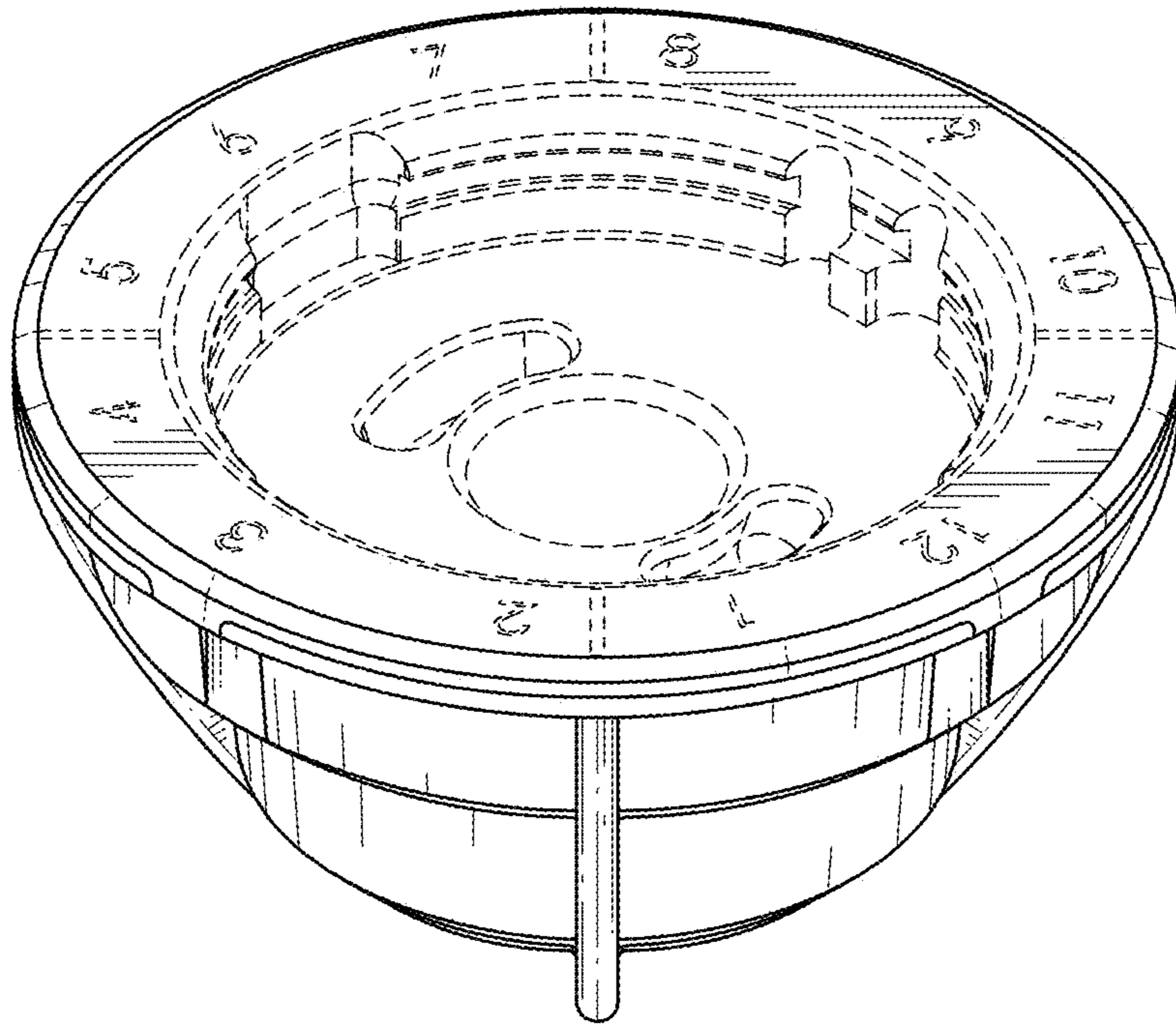


FIG. 25

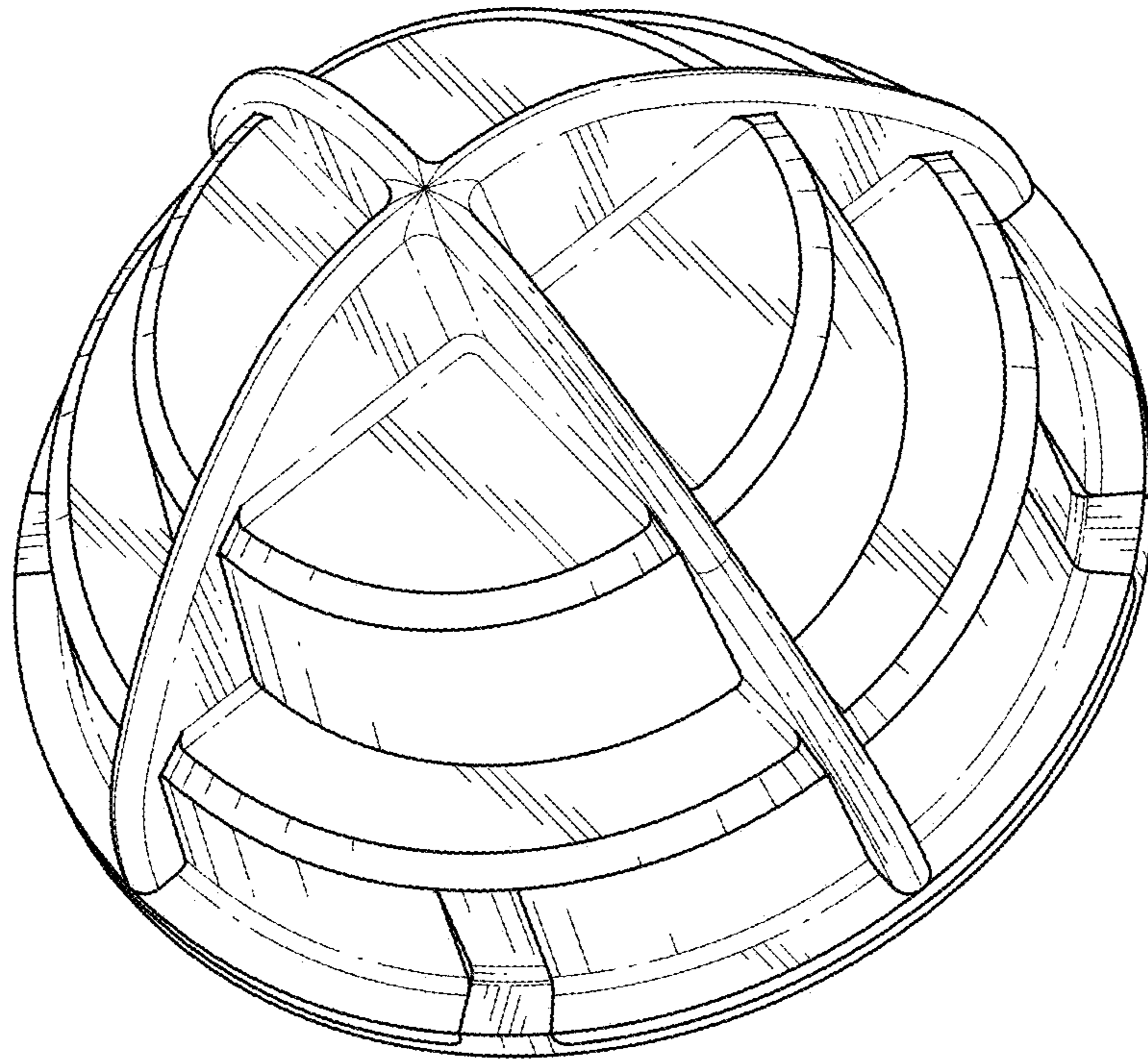
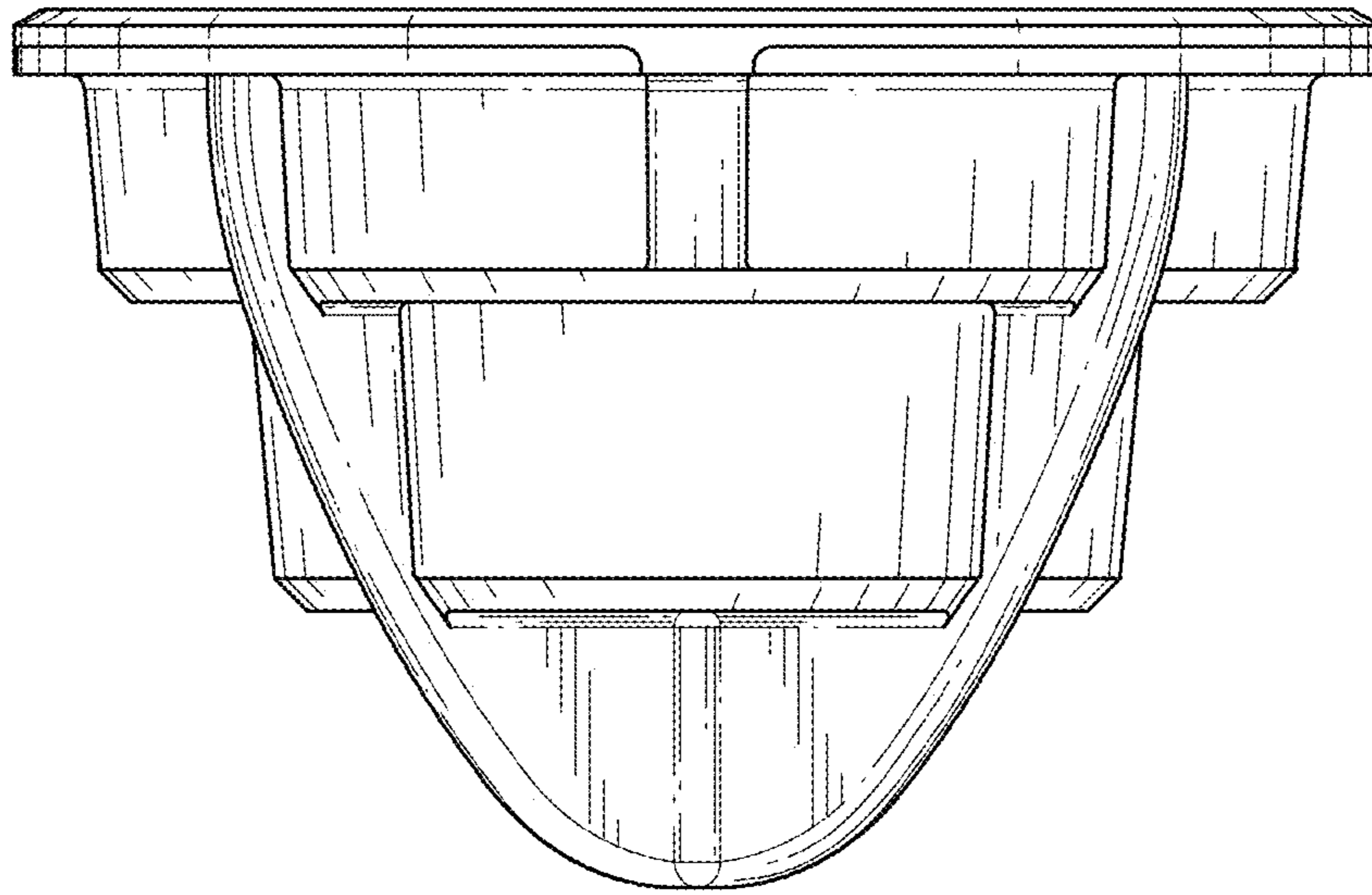
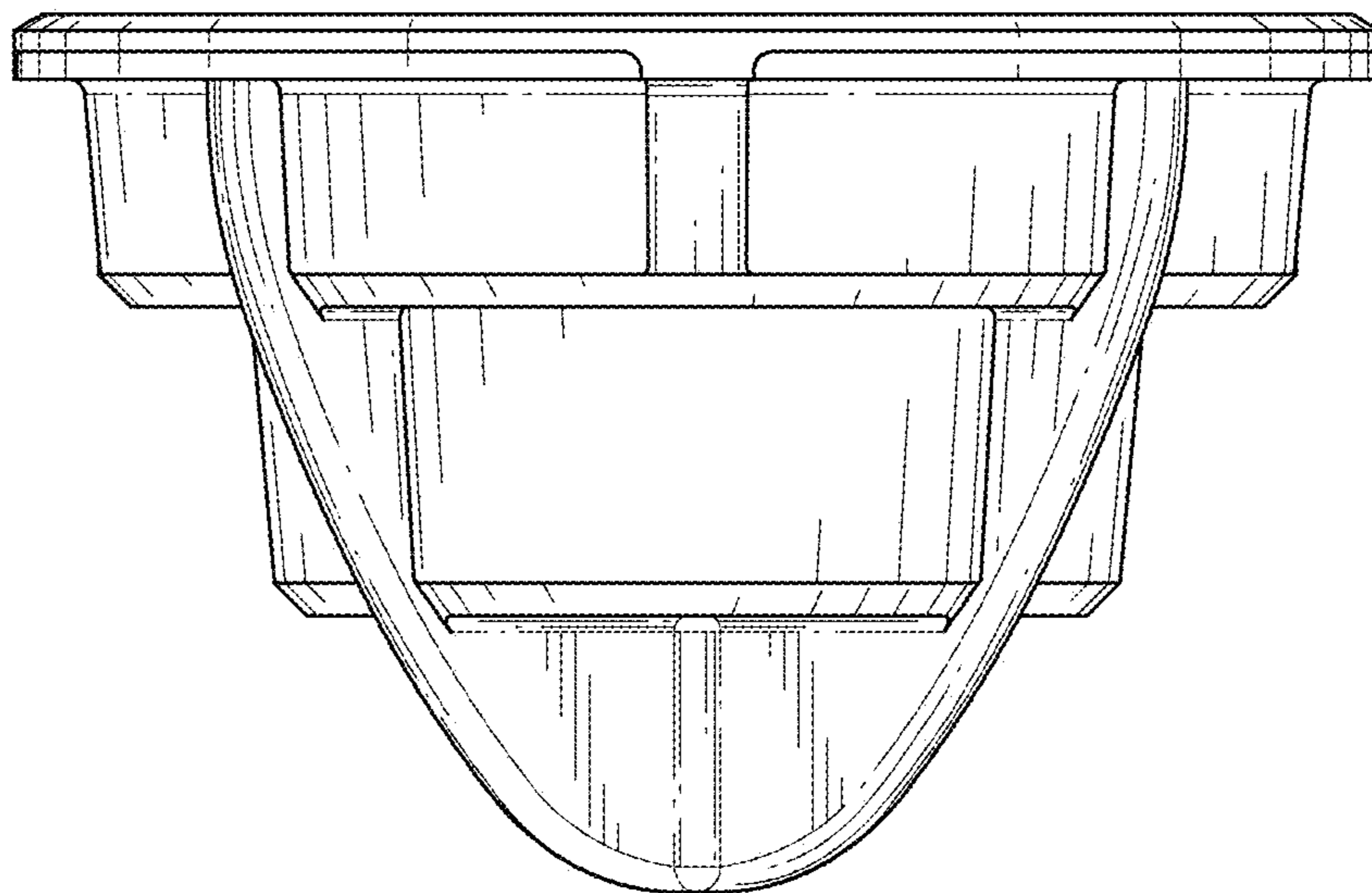


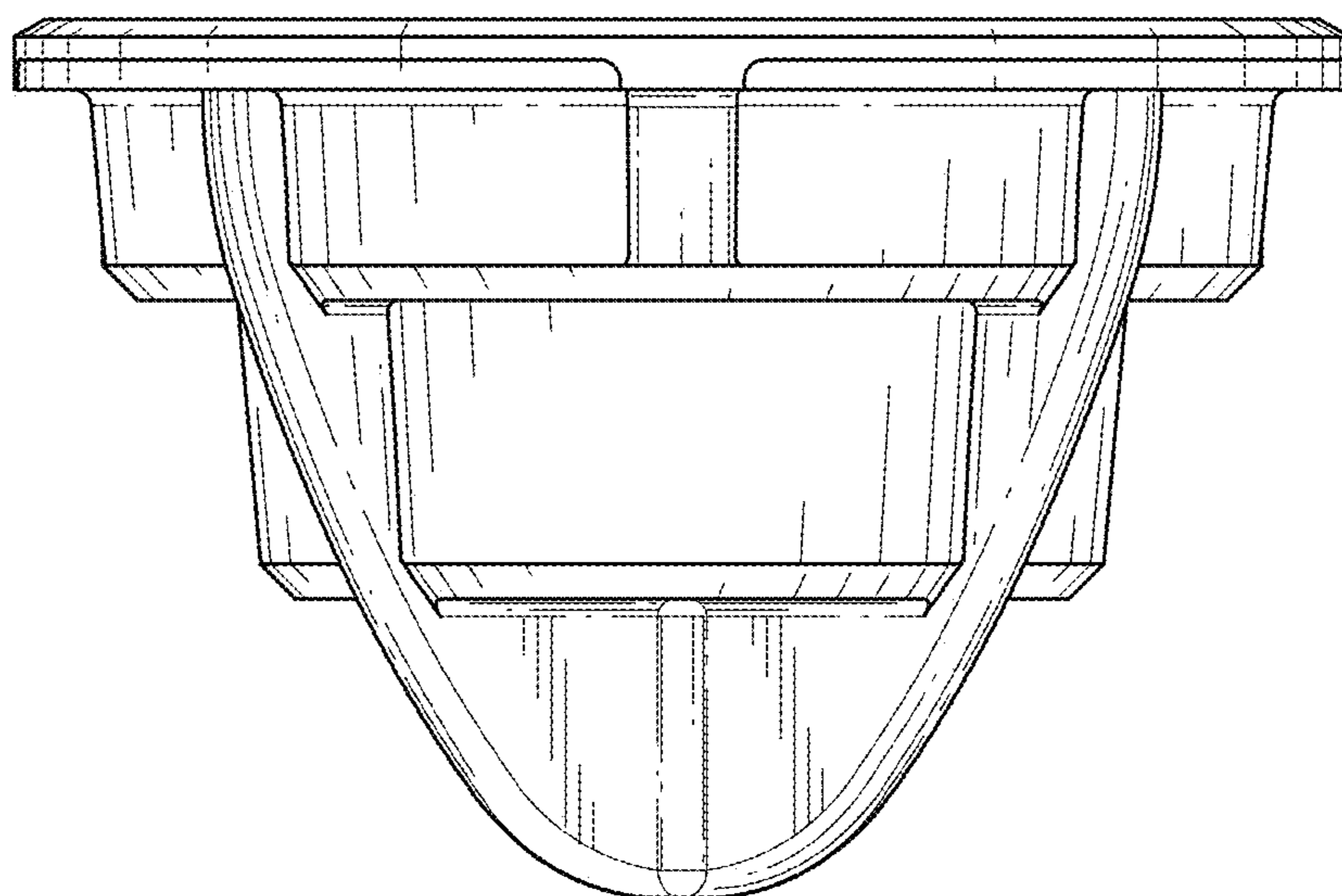
FIG. 26



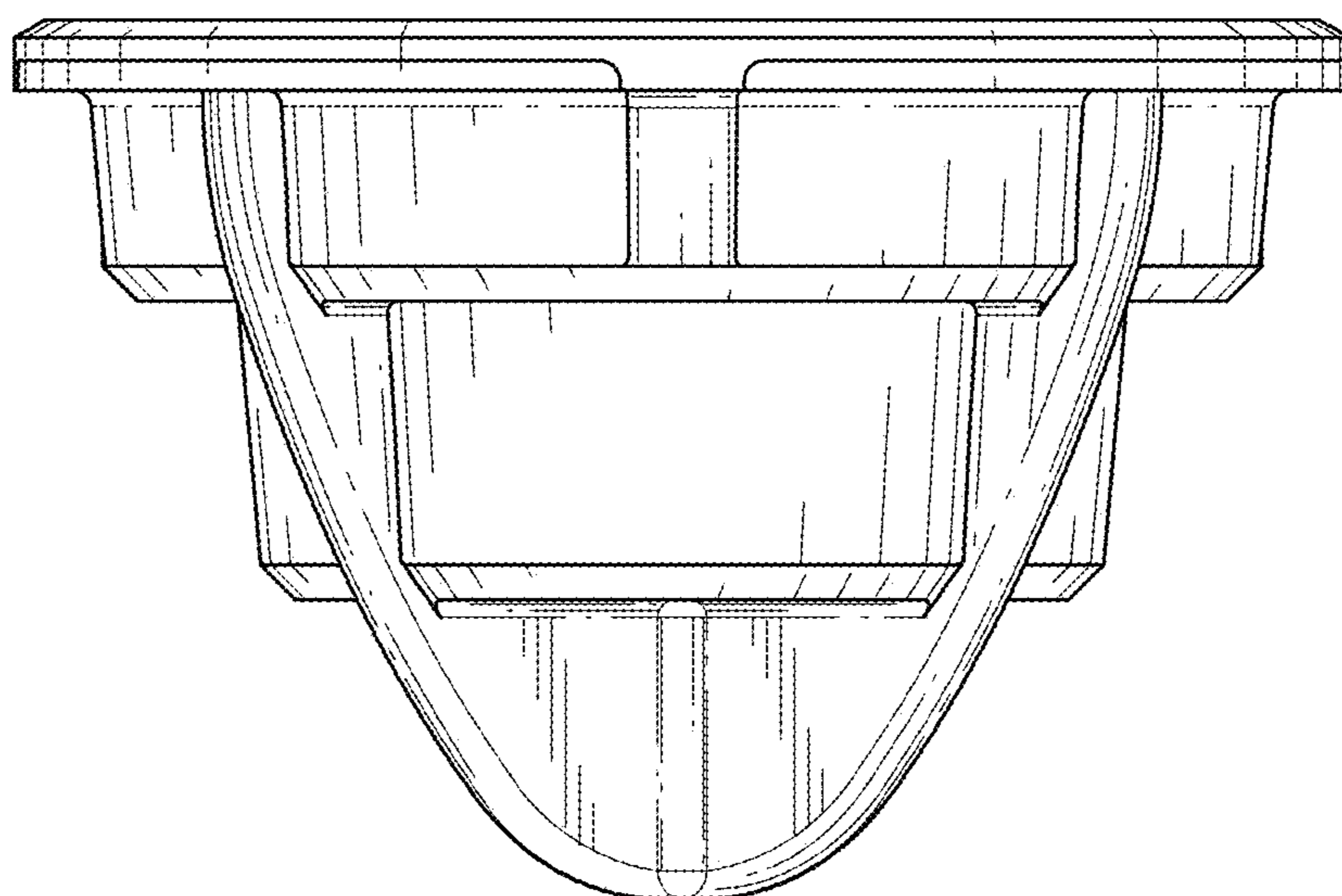
*FIG. 27*



*FIG. 28*



*FIG. 29*



*FIG. 30*

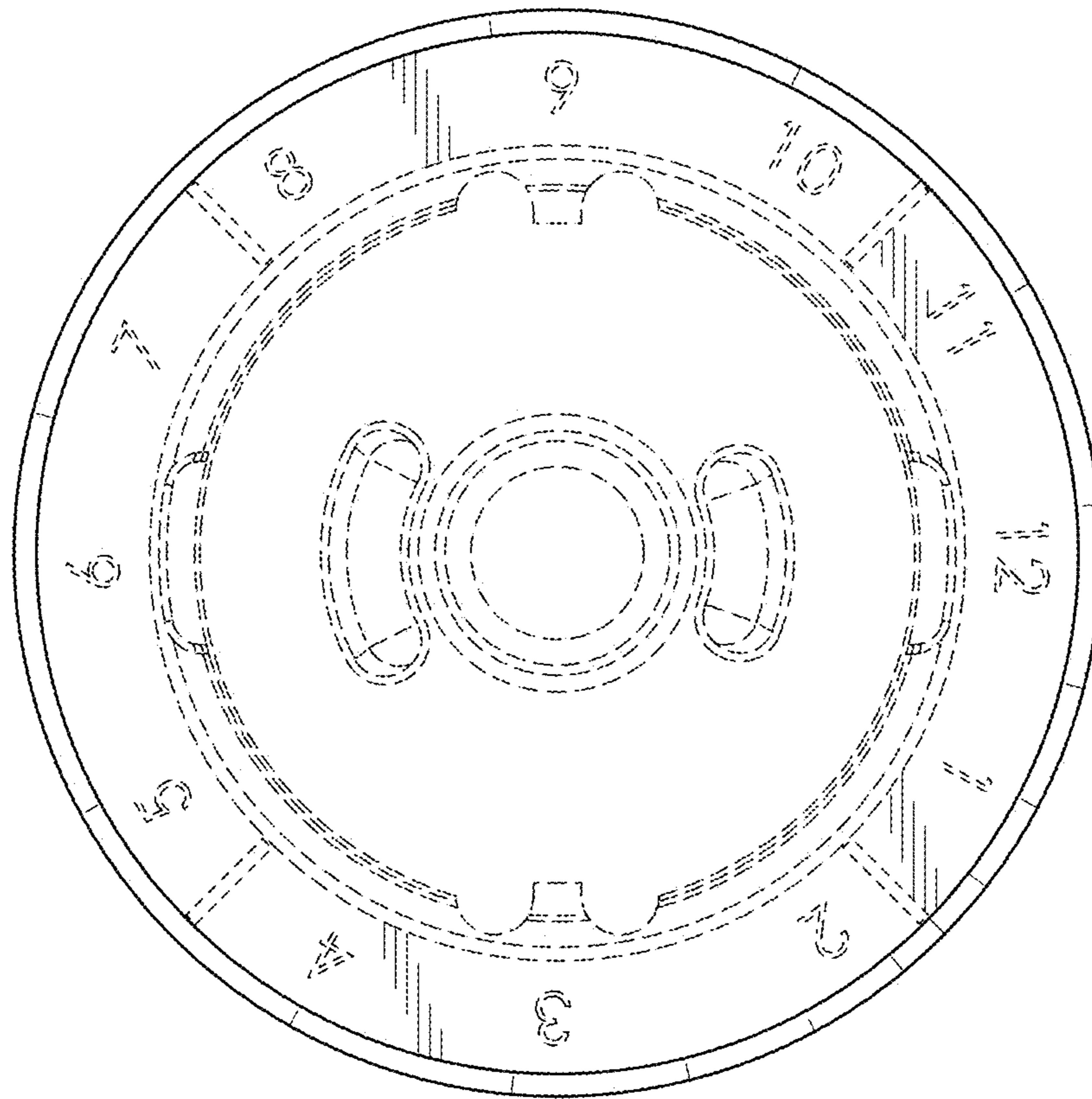
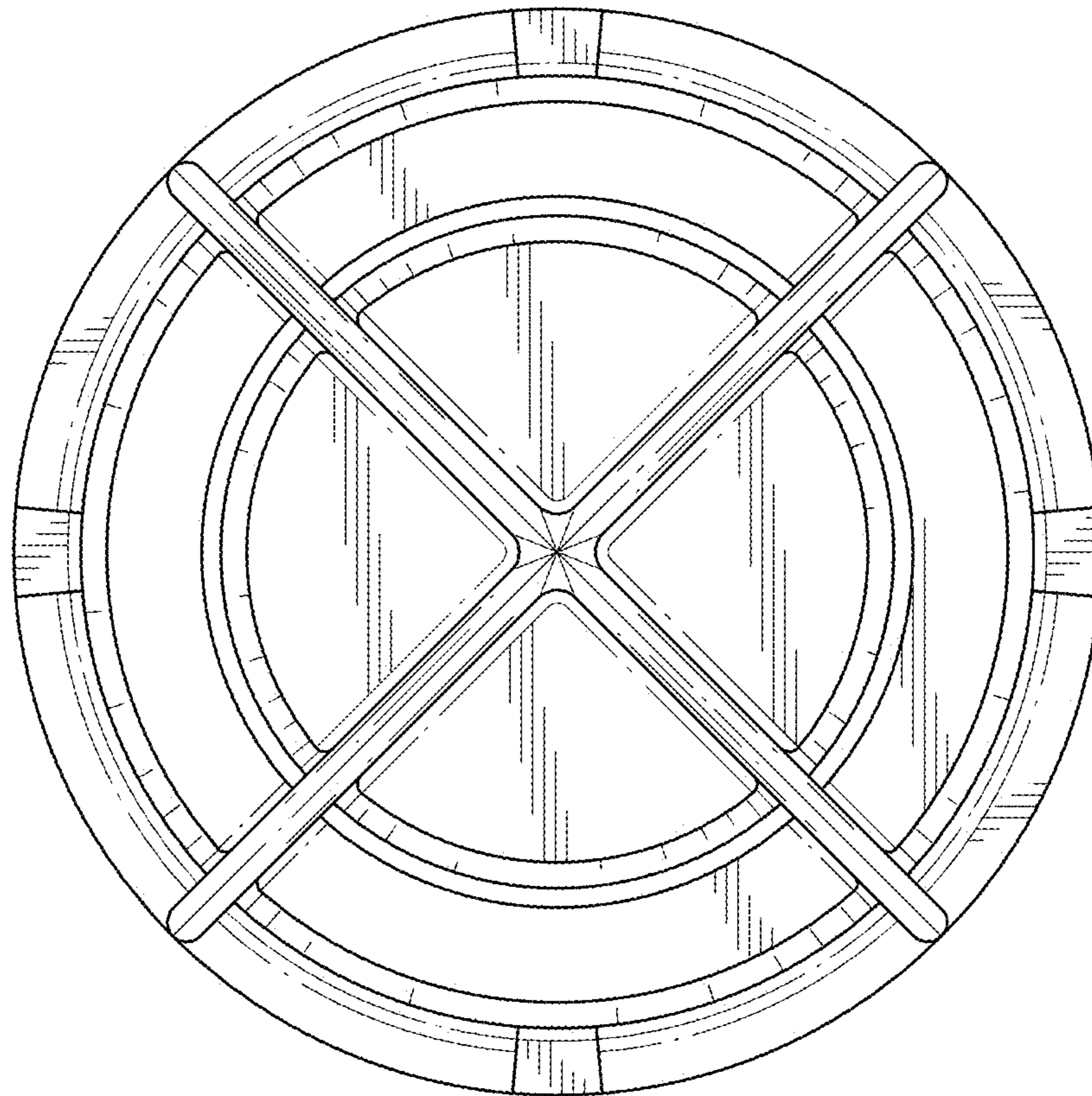


FIG. 31



*FIG. 32*