



US00D938033S

(12) **United States Design Patent**
Dang et al.

(10) **Patent No.:** **US D938,033 S**

(45) **Date of Patent:** **** Dec. 7, 2021**

(54) **ANTERIOR LUMBAR INTERBODY FUSION DEVICE**

(71) Applicant: **PrinterPrezz, Inc.**, Fremont, CA (US)

(72) Inventors: **Alan Dang**, Fremont, CA (US); **Bridget Karkera**, Fremont, CA (US); **Eshaan Gandhi**, Fremont, CA (US); **Sunaina Santhiveeran**, Fremont, CA (US)

(73) Assignee: **PrinterPrezz, Inc.**, Fremont, CA (US)

(**) Term: **15 Years**

(21) Appl. No.: **29/718,463**

(22) Filed: **Dec. 24, 2019**

(51) **LOC (13) Cl.** **24-03**

(52) **U.S. Cl.**
USPC **D24/155**

(58) **Field of Classification Search**
USPC D24/155
CPC A61F 2/447; A61F 2/4455; A61F 2/442;
A61F 2002/30593; A61F 2/4611; A61F
2002/30579; A61F 2002/30904; A61F
2002/4627; A61F 2/4465; A61F
2310/00023

See application file for complete search history.

(56) **References Cited**

U.S. PATENT DOCUMENTS

D620,111 S * 7/2010 Courtney D24/155
D627,466 S * 11/2010 Courtney D24/155

D674,092 S * 1/2013 Lovell D24/155
D675,320 S * 1/2013 Oi D24/155
D696,402 S * 12/2013 Oi D24/155
D708,747 S * 7/2014 Curran D24/155
D721,808 S * 1/2015 Oi D24/155
D759,248 S * 6/2016 Oi D24/155
D781,423 S * 3/2017 Lovell D24/155
D788,307 S * 5/2017 Oi D24/155
D791,949 S * 7/2017 Oi D24/155
D835,788 S * 12/2018 Jones D24/155
D877,907 S * 3/2020 Linder D24/155

* cited by examiner

Primary Examiner — Eliza Z Bennett-Hattan

(74) *Attorney, Agent, or Firm* — John Wood; Wood Patent Law

(57) **CLAIM**

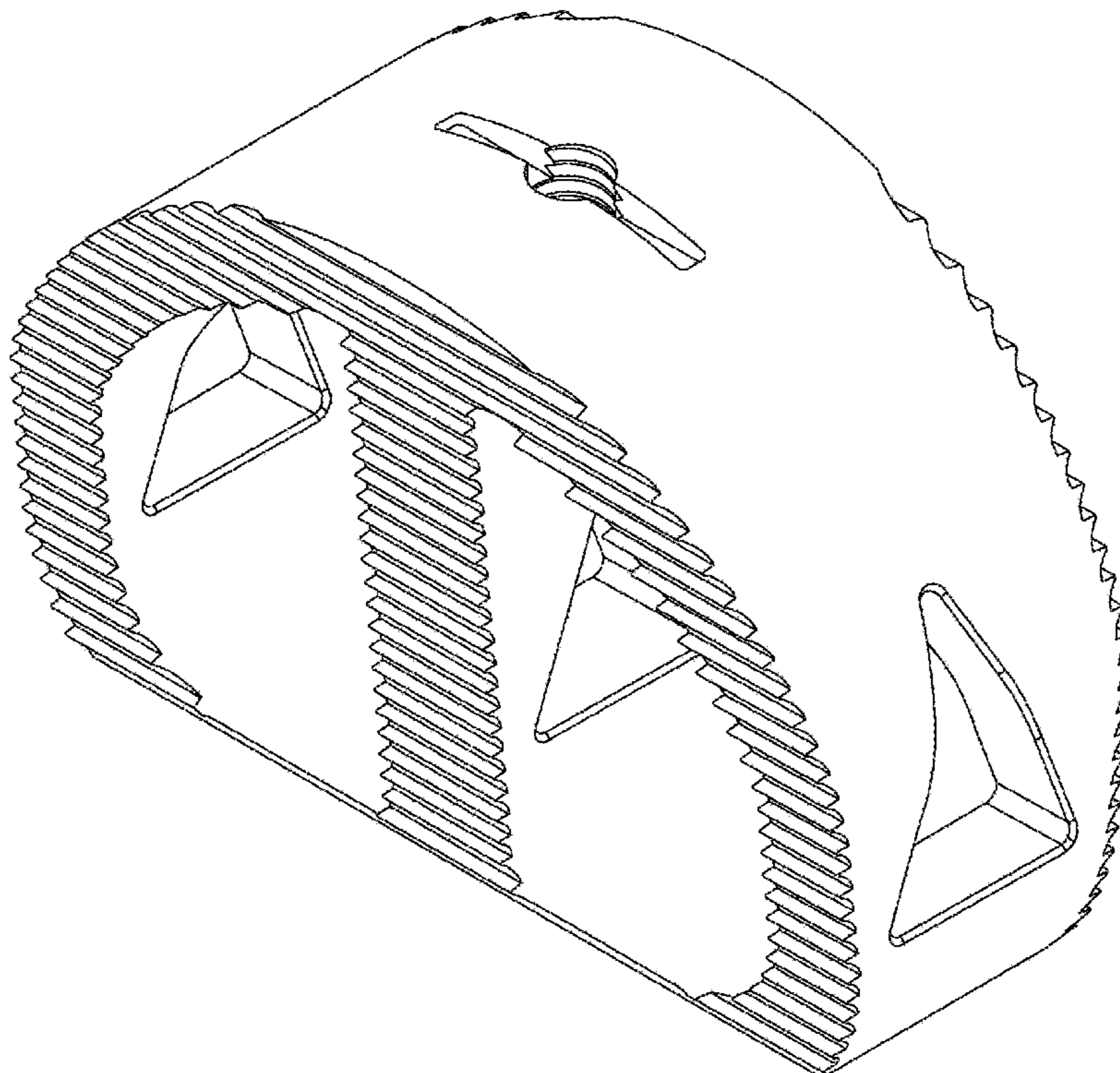
The ornamental design for an anterior lumbar interbody fusion device, as shown and described.

DESCRIPTION

FIG. 1 is a top front perspective view of an anterior lumbar interbody fusion device showing our new design;
FIG. 2 is a left side view thereof and also represents a right side view;
FIG. 3 is a front view thereof and also represents a rear view;
FIG. 4 is a top view thereof;
FIG. 5 is a bottom view thereof; and,
FIG. 6 is an enlarged view of a serrated face portion of FIG. 5.

The broken lines shown represent unclaimed subject matter and form no part of the claimed design.

1 Claim, 5 Drawing Sheets



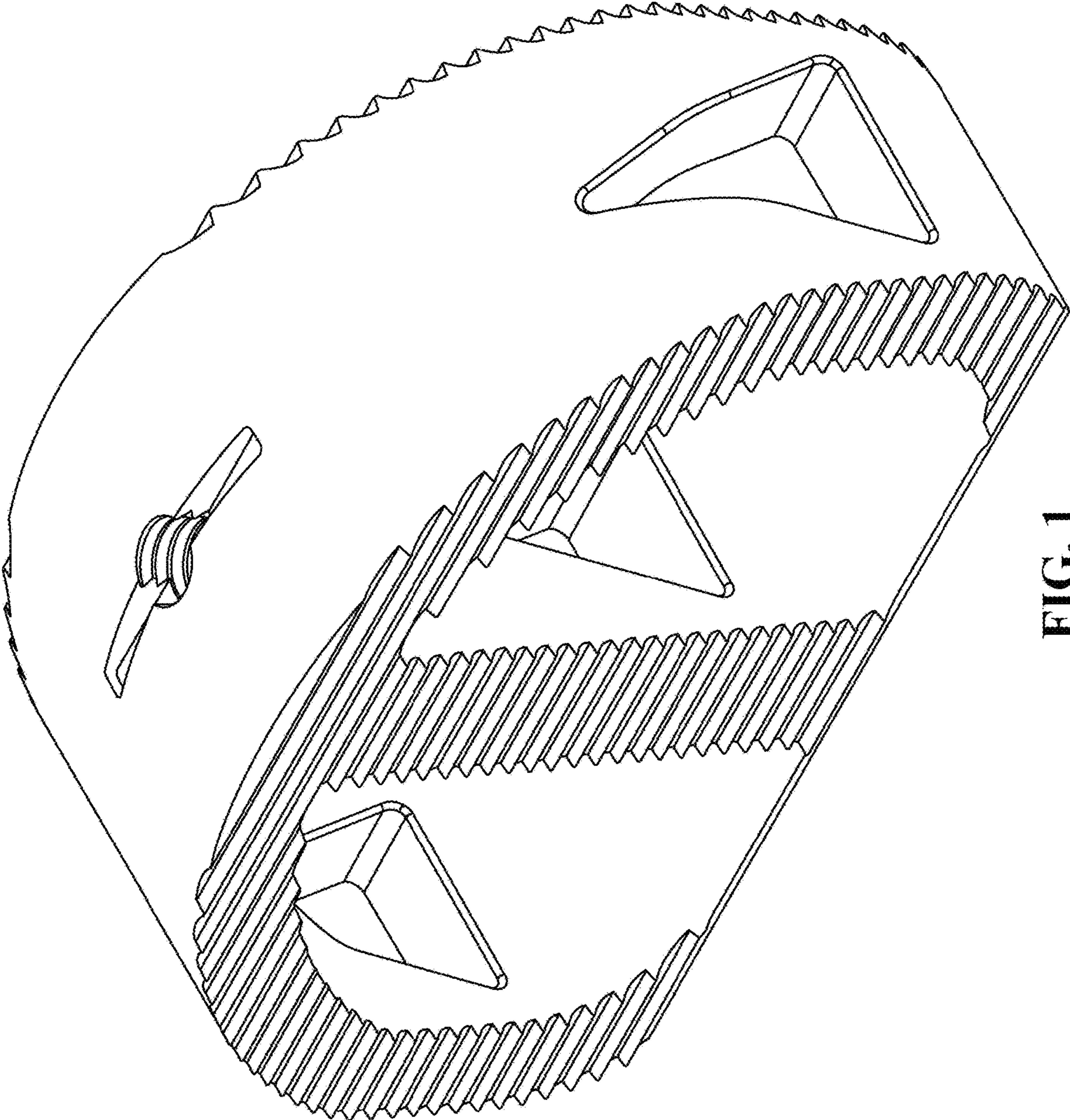


FIG. 1

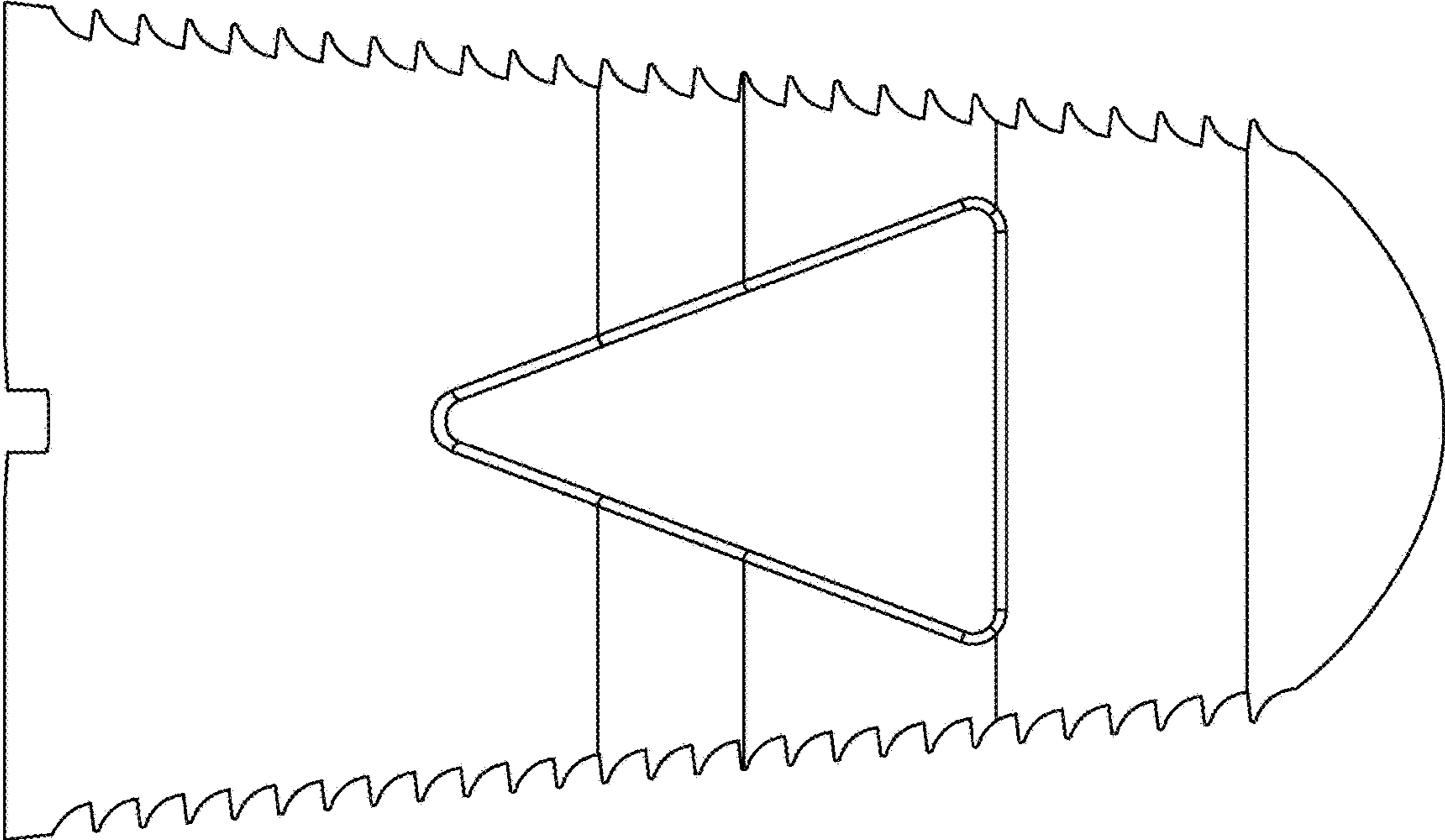


FIG. 2

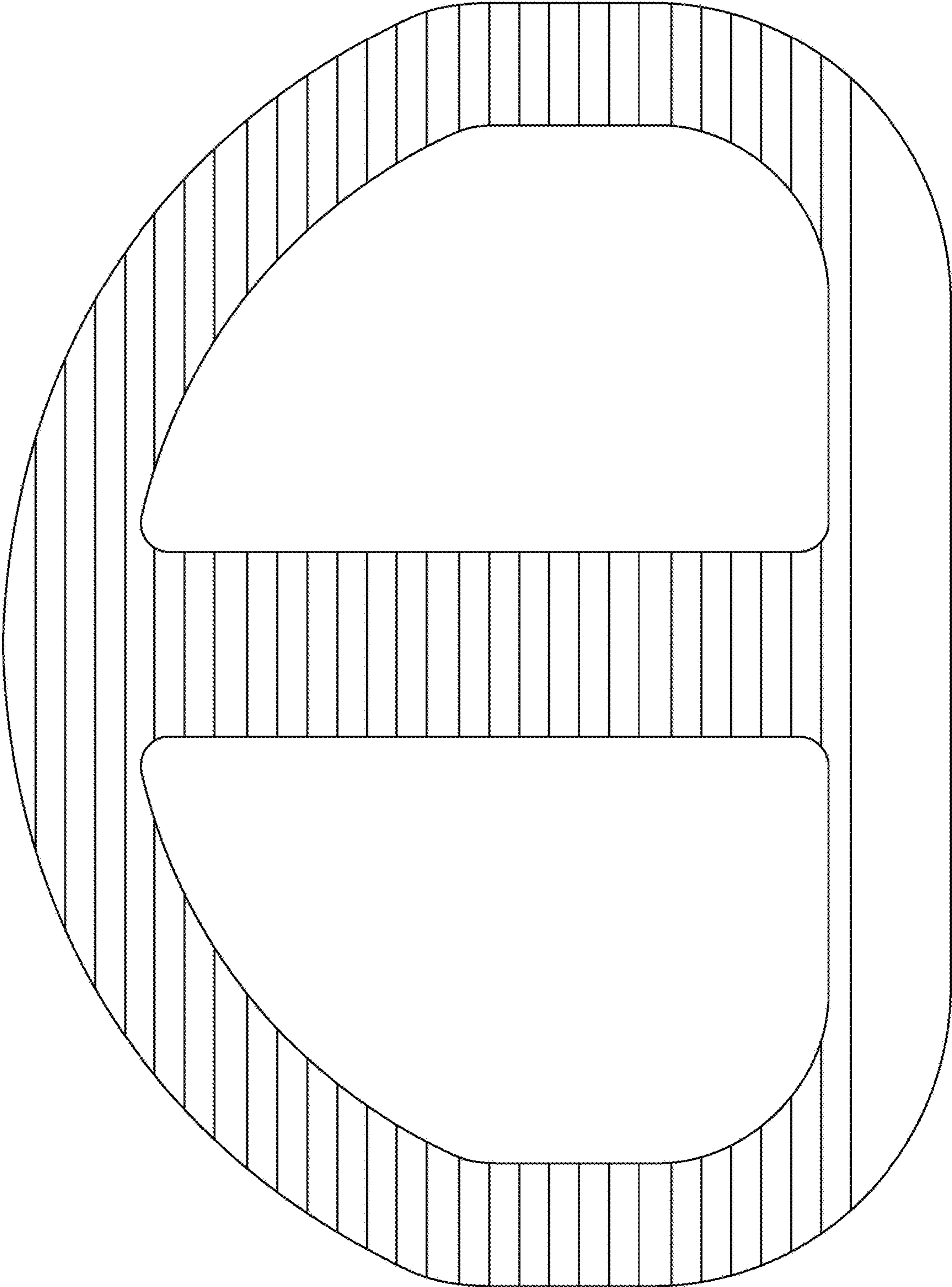


FIG. 3

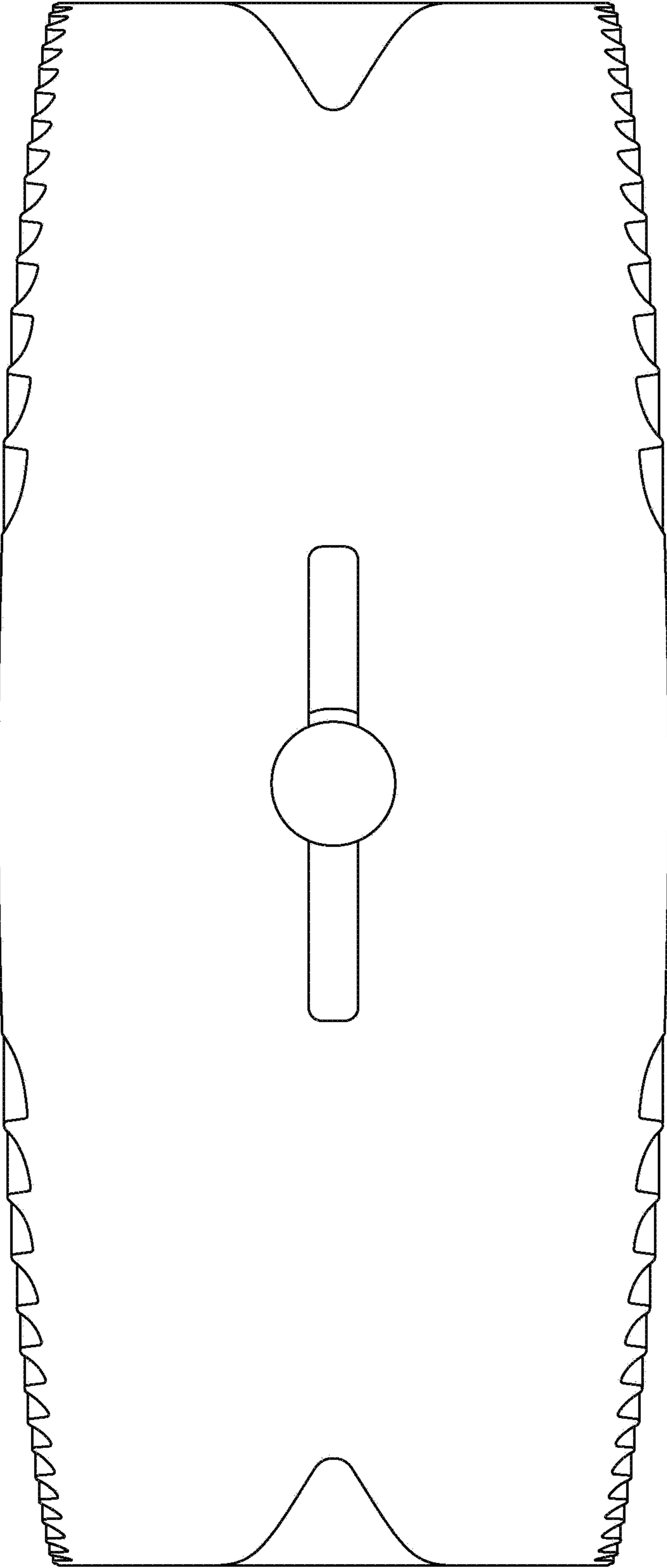


FIG. 4

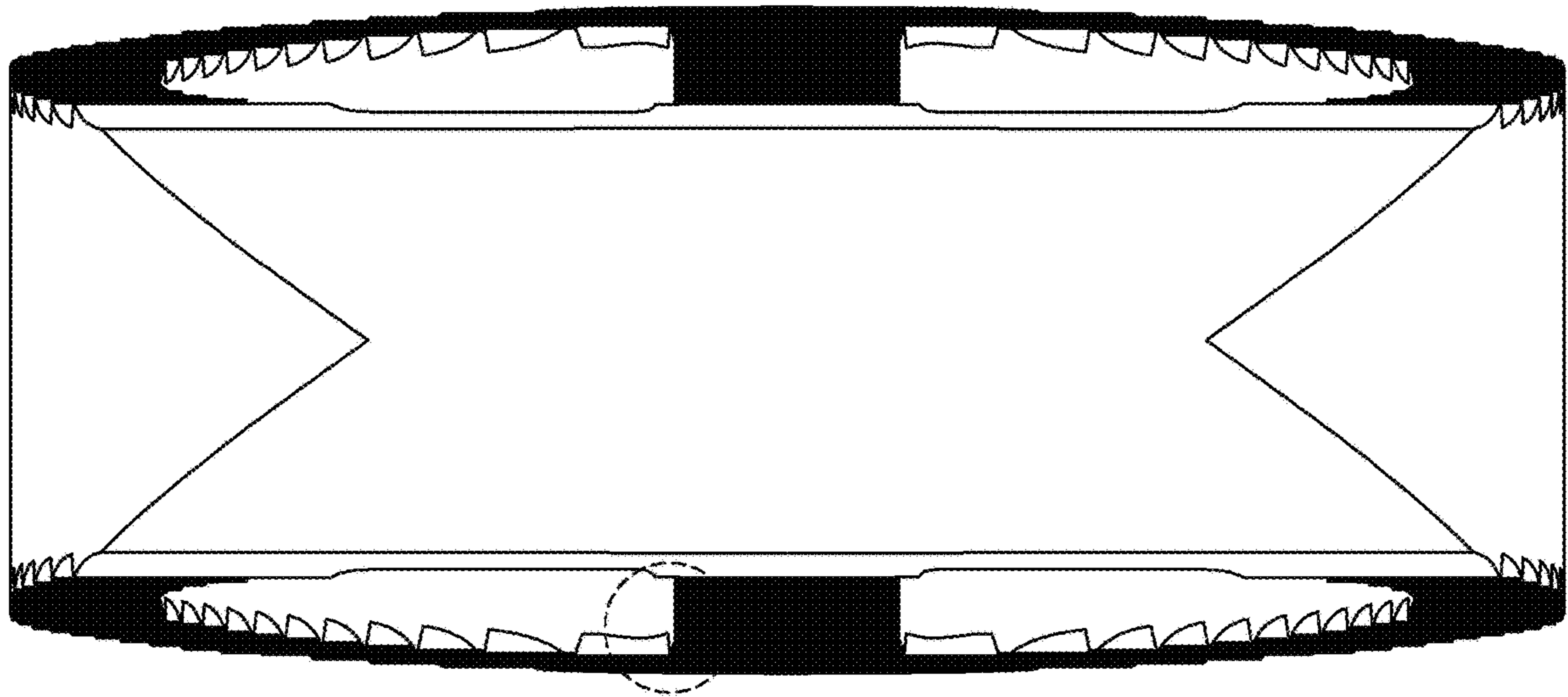


FIG. 5

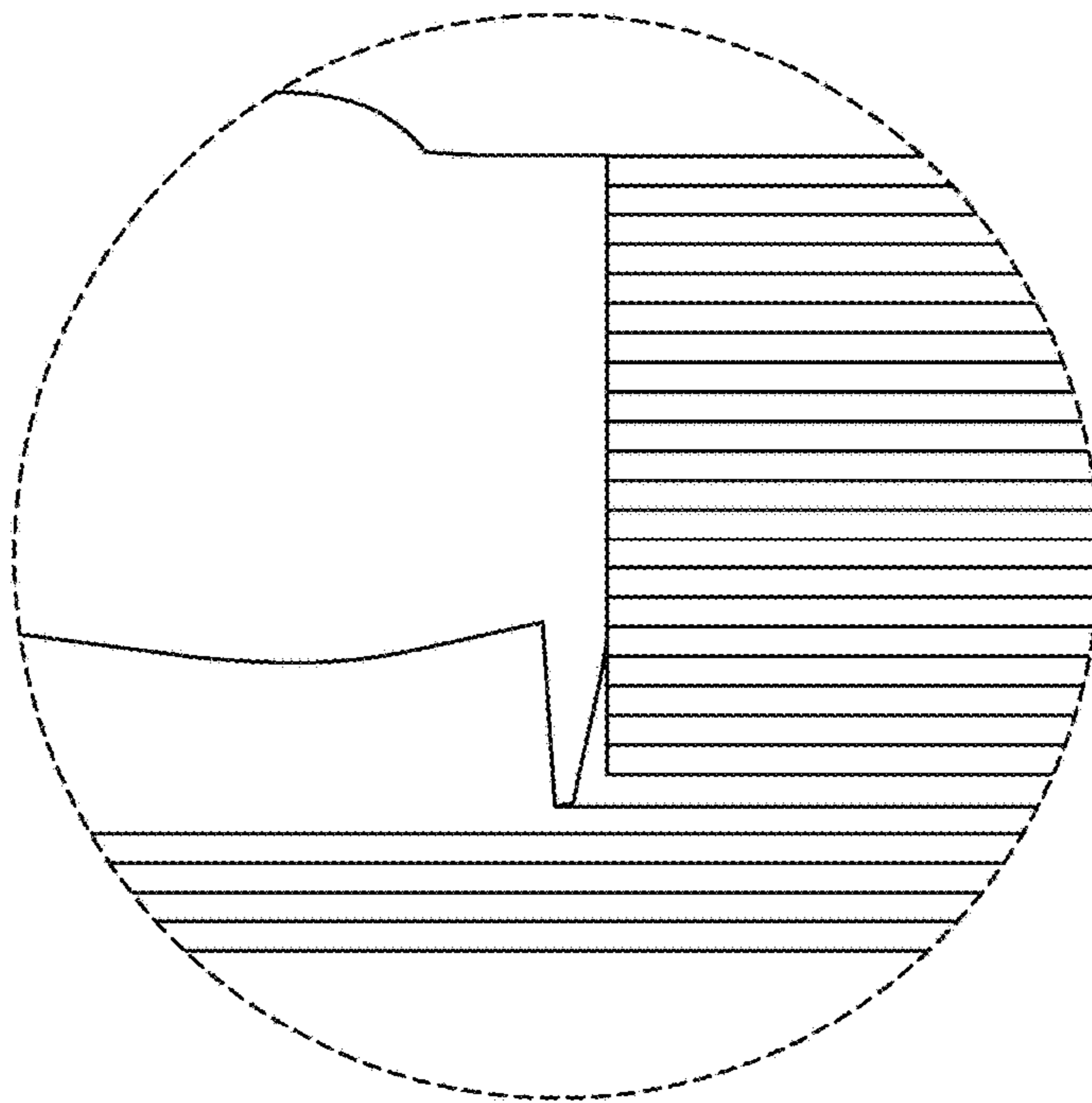


FIG. 6