



US00D938031S

(12) **United States Design Patent**
Sivaraman

(10) **Patent No.:** **US D938,031 S**

(45) **Date of Patent:** **** Dec. 7, 2021**

(54) **UNDRILLED NEEDLE**

(71) Applicant: **Telma Micro Needles Private Limited,**
Bangalore (IN)

(72) Inventor: **Subramanian Sivaraman,** Bangalore
(IN)

(73) Assignee: **Telma Micro Needles Pvt. Ltd.,**
Bangalore (IN)

(**) Term: **15 Years**

(21) Appl. No.: **29/705,788**

(22) Filed: **Sep. 16, 2019**

(30) **Foreign Application Priority Data**

Jul. 14, 2019 (IN) 319633-001

(51) **LOC (13) Cl.** **24-02**

(52) **U.S. Cl.**
USPC **D24/147; D24/146**

(58) **Field of Classification Search**

USPC D24/108, 112, 113, 114, 117, 118, 119,
D24/127, 130, 133, 144, 146, 147, 148,
D24/185, 186, 129, 172, 173, 174, 176,
D24/135, 149, 134, 138, 145; D7/649;
D8/20, 14, 17, 98, 99, 100, 105
CPC A61M 5/20; A61M 5/31; A61M 5/178;
A61M 5/3129; A61M 5/3146; A61M
5/3148; A61M 3/00; A61M 16/0472;
A61B 17/3211; A61B 17/320016; A61B
17/3213;

(Continued)

(56) **References Cited**

U.S. PATENT DOCUMENTS

2,092,929 A * 9/1937 Ovington D05B 85/00
223/102
2,811,157 A * 10/1957 Kurtz A61B 17/06066
606/223

(Continued)

OTHER PUBLICATIONS

Monosof Taper Point Needle Sutures, [site visited Nov. 2, 2020],
Available from Internet. URL: <https://afteractionmedical.com/shop/monosof-taper-point-needle-sutures/> (Year: 2020).*

(Continued)

Primary Examiner — T Chase Nelson

Assistant Examiner — Kelly L Gross

(74) *Attorney, Agent, or Firm* — Grandhi Law Chambers;
Krishna Grandhi

(57) **CLAIM**

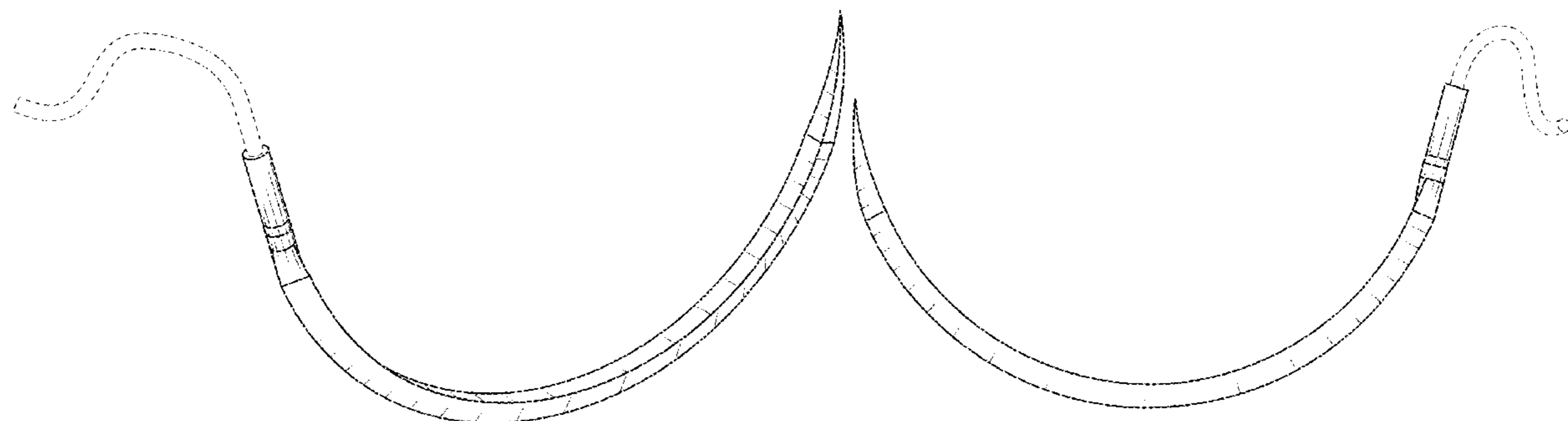
The ornamental design for an undrilled needle, as shown and
described.

DESCRIPTION

FIG. 1 is a perspective view of an undrilled needle of the
new design;
FIG. 2 is a front elevational view of the undrilled needle of
FIG. 1;
FIG. 3 is a rear elevational view of the undrilled needle of
FIG. 1;
FIG. 4 is a left-side elevational view of the undrilled needle
of FIG. 1;
FIG. 5 is a right-side elevational view of the undrilled needle
of FIG. 1;
FIG. 6 is a top plan view of the undrilled needle of FIG. 1;
FIG. 7 is a bottom plan view of the undrilled needle of FIG.
1; and,
FIG. 8 is an exploded view of the undrilled needle of FIG.
1, which is provided to illustrate the several components of
the undrilled needle of FIG. 1 in order to enhance the
description of the other Figures.

The broken lines shown in the drawings are included for
purposes of illustrating portions of the design or environ-
ment and form no part of the claimed design.

1 Claim, 4 Drawing Sheets



(58) **Field of Classification Search**

CPC A61B 17/0218; A61B 2017/32113; A61B 17/032; A61B 2018/1422; A61B 17/2909; A61B 17/0469; A61B 17/0483; A61B 17/0485; A61B 1/313; A61B 1/3132; A61B 1/3135; A61B 1/3137; A61B 1/317; A61B 1/32; A61B 1/314; A61B 1/315; A61B 1/316; A61B 17/06066; A61B 17/06004; A61B 2017/0608; A61B 2017/06028; B23P 15/28; B26B 1/08

See application file for complete search history.

D616,088 S * 5/2010 Brigatti D24/112
 D616,540 S * 5/2010 Brigatti D24/112
 D621,472 S * 8/2010 Falls D23/213
 8,105,354 B2 * 1/2012 Tochimura A61B 17/06066
 606/223
 8,292,920 B2 * 10/2012 Dabir A61B 17/06066
 606/222
 D693,654 S * 11/2013 Borovicka D7/683
 D700,331 S * 2/2014 Lim D24/152
 D718,859 S * 12/2014 Pohlmann D24/152
 9,162,033 B2 * 10/2015 Enk A61M 29/00
 9,265,916 B2 * 2/2016 Conn A61B 17/3403
 D753,302 S * 4/2016 Alley D24/144
 9,332,982 B2 * 5/2016 Maurer A61B 17/06066
 D758,565 S * 6/2016 Efinger A61B 17/06004
 D24/112

(56) **References Cited**

U.S. PATENT DOCUMENTS

2,841,150 A * 7/1958 Riall A61B 17/06004
 606/223
 3,038,475 A * 6/1962 Orcutt B21G 1/08
 606/223
 3,094,123 A * 6/1963 Kurtz A61B 17/06
 606/223
 3,197,997 A * 8/1965 Kurtz A61B 17/06
 72/377
 3,265,070 A * 8/1966 Kurtz A61B 17/06
 606/223
 4,327,655 A * 5/1982 Addy D05B 81/00
 112/222
 4,699,142 A * 10/1987 Seal A61B 17/06004
 606/223
 4,799,483 A * 1/1989 Kraff A61B 17/06066
 606/226
 4,932,961 A * 6/1990 Wong A61B 17/06066
 606/223
 5,030,228 A * 7/1991 Wong A61B 17/06066
 606/223
 5,041,127 A * 8/1991 Troutman A61B 17/06066
 606/223
 5,100,432 A * 3/1992 Matsutani A61B 17/06066
 606/223
 5,263,974 A * 11/1993 Matsutani A61B 17/00
 606/222
 5,330,441 A * 7/1994 Prasad A61B 17/06066
 606/222
 5,411,613 A * 5/1995 Rizk A61B 17/06066
 148/606
 D367,903 S * 3/1996 Hurlbert D21/457
 D372,779 S * 8/1996 Mongeon D24/112
 5,649,961 A * 7/1997 McGregor A61B 17/06066
 606/222
 5,741,299 A * 4/1998 Rudt A61B 17/0493
 606/224
 5,797,961 A * 8/1998 Smith A61B 17/06066
 112/222
 5,807,317 A * 9/1998 Krech, Jr. A61B 17/3415
 604/506
 5,853,423 A * 12/1998 McGregor A61B 17/06066
 606/222
 5,897,572 A * 4/1999 Schulsinger A61B 17/06066
 606/222
 5,935,138 A * 8/1999 McJames, II ... A61B 17/06066
 606/139
 6,214,030 B1 * 4/2001 Matsutani A61B 17/06066
 606/223
 6,322,581 B1 * 11/2001 Fukuda A61B 17/06066
 606/222
 D492,778 S * 7/2004 Narini D24/146
 6,877,352 B1 * 4/2005 Schlereth A61B 17/06004
 29/282
 7,357,773 B2 * 4/2008 Watschke A61B 17/06109
 600/29
 D575,396 S * 8/2008 Wu D24/133
 D578,442 S * 10/2008 Oakley D12/162
 D616,087 S * 5/2010 Brigatti D24/112

9,445,807 B2 * 9/2016 Brecher A61B 17/0469
 D776,274 S * 1/2017 Xue D24/135
 9,561,053 B2 * 2/2017 Bonde A61B 17/3468
 9,579,098 B2 * 2/2017 Alshomer A61B 17/06066
 9,585,587 B2 * 3/2017 Roy B23K 1/0008
 9,604,033 B2 * 3/2017 Lazarus A61M 25/0136
 9,675,339 B2 * 6/2017 Brecher A61B 17/0625
 9,801,652 B2 * 10/2017 Racz A61B 17/3478
 D808,521 S * 1/2018 Bottom D24/127
 D810,932 S * 2/2018 Coffman D24/130
 9,993,264 B2 * 6/2018 Stubber A61B 17/3415
 D835,777 S * 12/2018 Seaver A61B 17/06066
 D24/112
 D845,501 S * 4/2019 Janapol D24/215
 D846,083 S * 4/2019 Garland D23/255
 10,258,374 B2 * 4/2019 Kawaura A61B 17/3468
 D870,247 S * 12/2019 Eads A61B 17/06066
 D23/255
 10,548,591 B2 * 2/2020 Kelner A61B 17/06004
 D884,890 S * 5/2020 Bottom A61B 17/06066
 D24/135
 10,743,863 B2 * 8/2020 Underdown A61B 17/06066
 D895,114 S * 9/2020 Cichocki, Jr. D24/145
 10,786,240 B2 * 9/2020 Motai A61B 17/06066
 D909,578 S * 2/2021 Gupta A61B 17/0469
 D24/145
 D912,251 S * 3/2021 Vailhe D24/145
 D912,819 S * 3/2021 Vailhe D24/145
 10,939,907 B2 * 3/2021 Maurer C23C 2/00
 D919,807 S * 5/2021 Javid D24/152
 D920,512 S * 5/2021 Cichocki, Jr. D24/145
 D921,197 S * 6/2021 Bravman A61B 17/06004
 D24/146
 11,045,186 B2 * 6/2021 Belman A61B 17/0469
 2003/0139651 A1 * 7/2003 Holland A61B 17/00008
 600/245
 2006/0047309 A1 * 3/2006 Cichocki, Jr. A61B 17/06066
 606/222
 2007/0135839 A1 * 6/2007 Cook A61F 2/0805
 606/222
 2007/0219586 A1 * 9/2007 Mahadevan A61B 17/06066
 606/223
 2010/0023053 A1 * 1/2010 Akutsu B23K 26/389
 606/223
 2010/0023054 A1 * 1/2010 Matsutani A61B 17/062
 606/223
 2011/0112575 A1 * 5/2011 Tochimura A61B 17/06066
 606/222
 2012/0158049 A1 * 6/2012 Kato A61B 17/06066
 606/223
 2014/0005719 A1 * 1/2014 Uetake A61B 17/06066
 606/223
 2014/0166225 A1 * 6/2014 Nakayama B21J 5/027
 163/5
 2014/0257377 A1 * 9/2014 Akutsu A61B 17/06066
 606/223
 2016/0022264 A1 * 1/2016 Matsutani A61B 17/06066
 606/225
 2018/0008259 A1 * 1/2018 Monjazez A61B 17/0493
 2019/0059882 A1 * 2/2019 Yoshimi A61B 17/0469
 2020/0268378 A1 * 8/2020 Cichocki, Jr. A61B 17/0469

(56)

References Cited

U.S. PATENT DOCUMENTS

2020/0268379 A1* 8/2020 Cichocki, Jr. B21G 1/006
2020/0268380 A1* 8/2020 Cichocki, Jr. A61B 17/0469
2020/0268382 A1* 8/2020 Vailhe A61B 34/30
2020/0323525 A1* 10/2020 Matsumoto A61B 17/06109
2021/0045741 A1* 2/2021 Vailhe A61B 17/06004
2021/0130978 A1* 5/2021 Ou C25F 3/26
2021/0204936 A1* 7/2021 Meyer A61B 17/06166

OTHER PUBLICATIONS

Reverse Cutting Suture Needle, [site visited Nov. 2, 2020], Available from Internet. URL: <https://www.indiamart.com/proddetail/reverse-cutting-suture-needle-7162444333.html> (Year: 2020).*

Uterine Reverse Cutting Needle, [site visited Nov. 2, 2020], Available from Internet. URL: <https://www.rehabmart.com/product/richardallan-martins-uterine-reverse-cutting-needle-41459.html> (Year: 2020).*

* cited by examiner

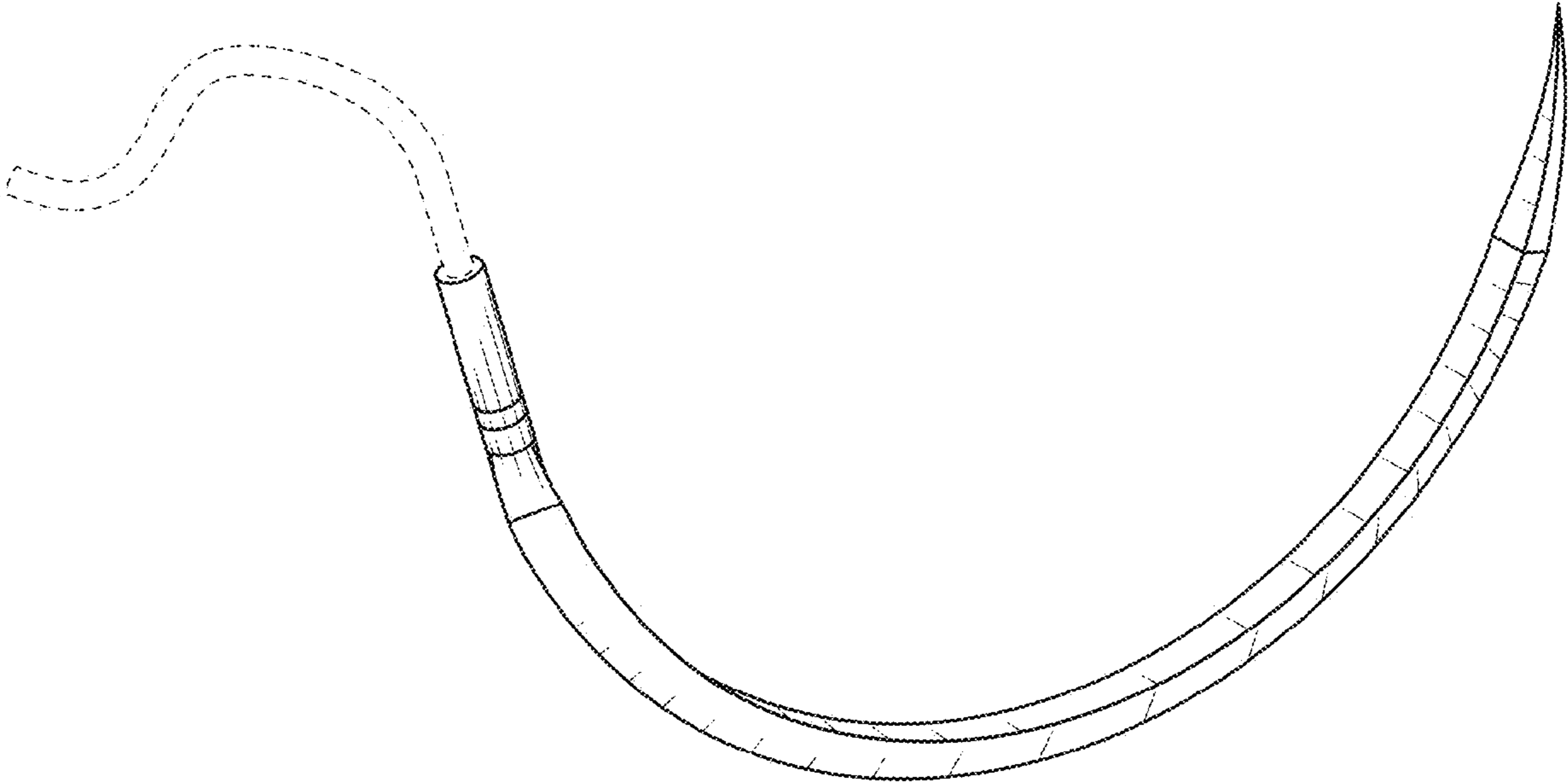


FIG. 1

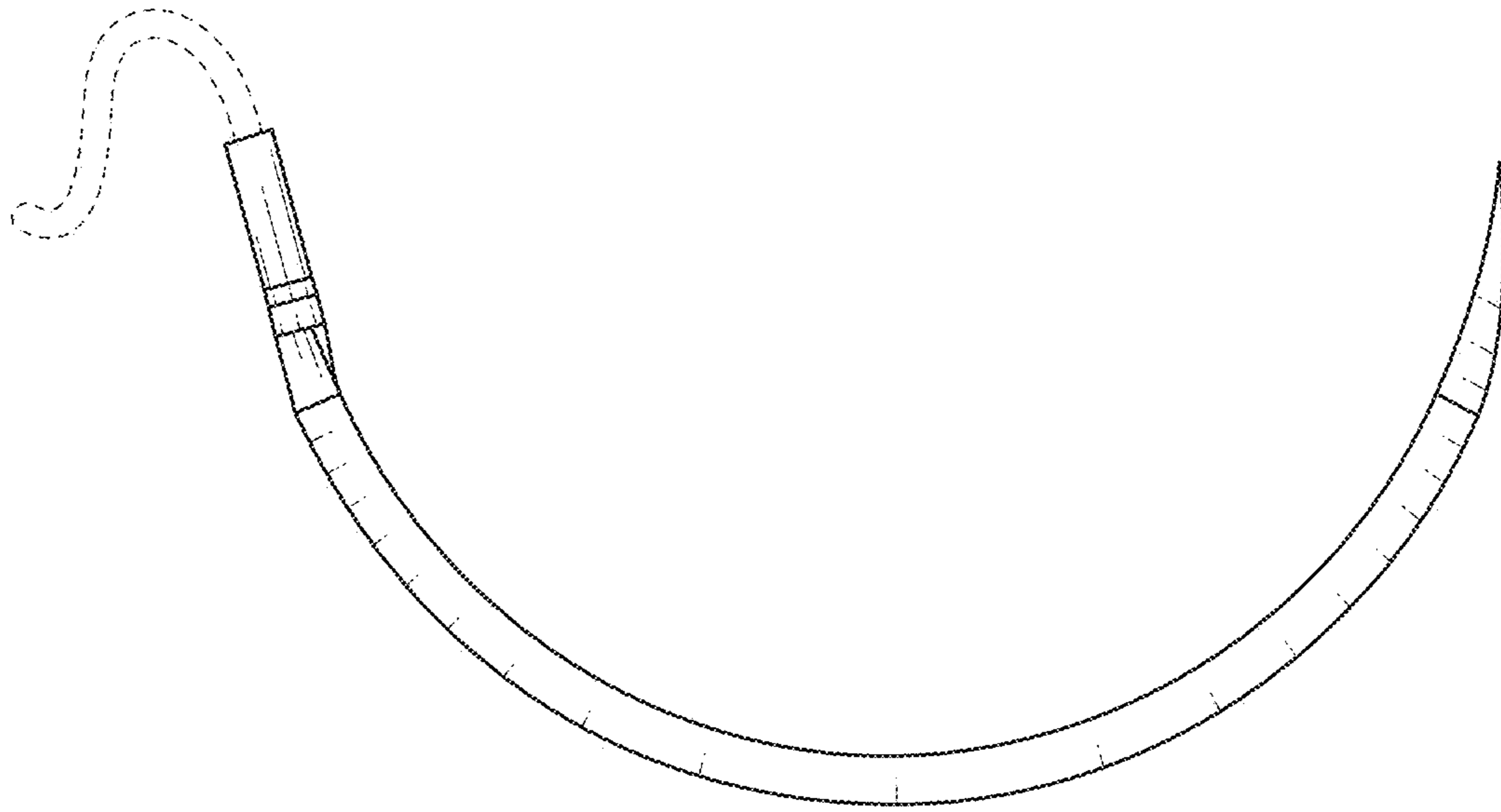


FIG. 2

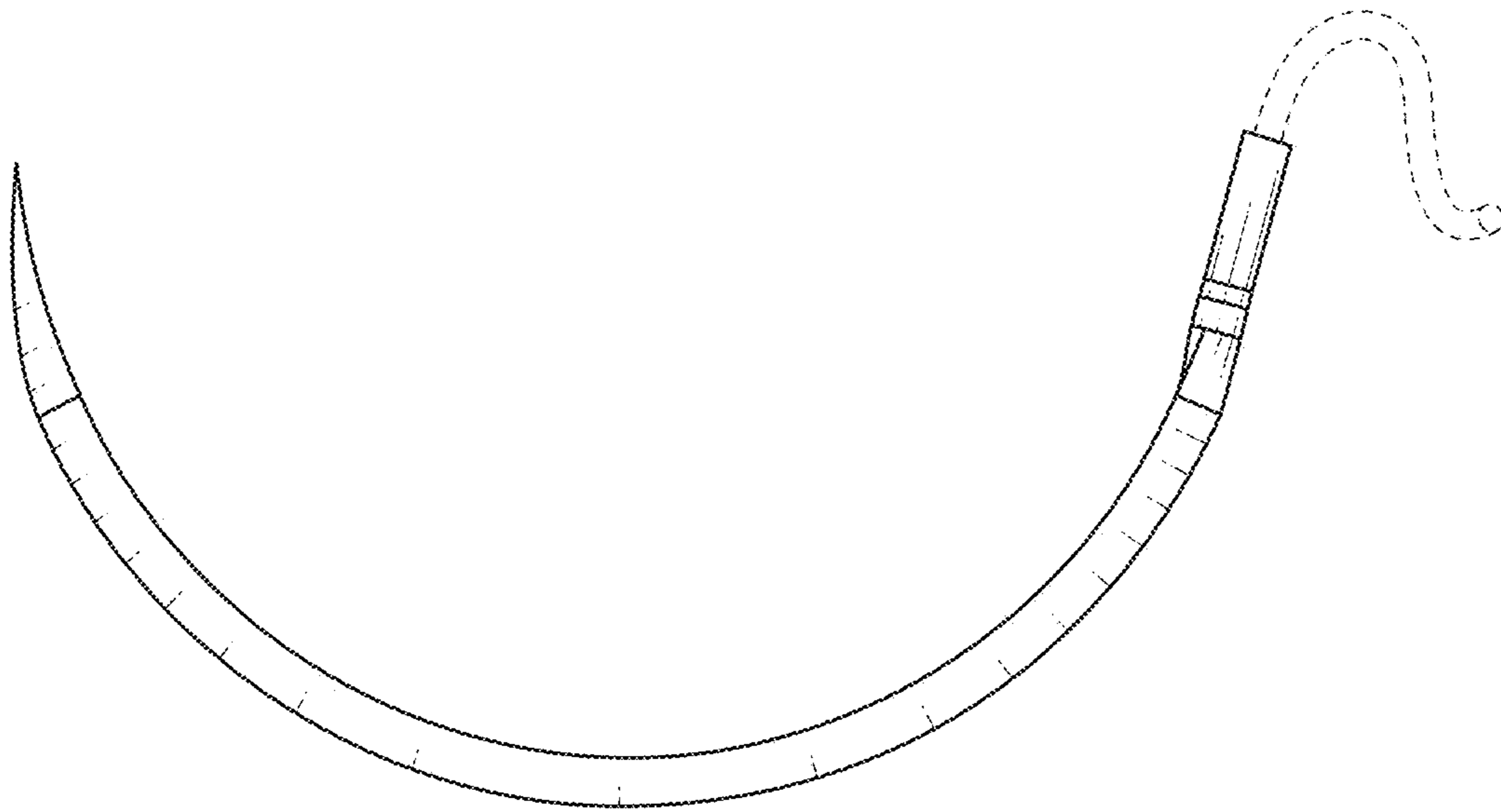


FIG. 3

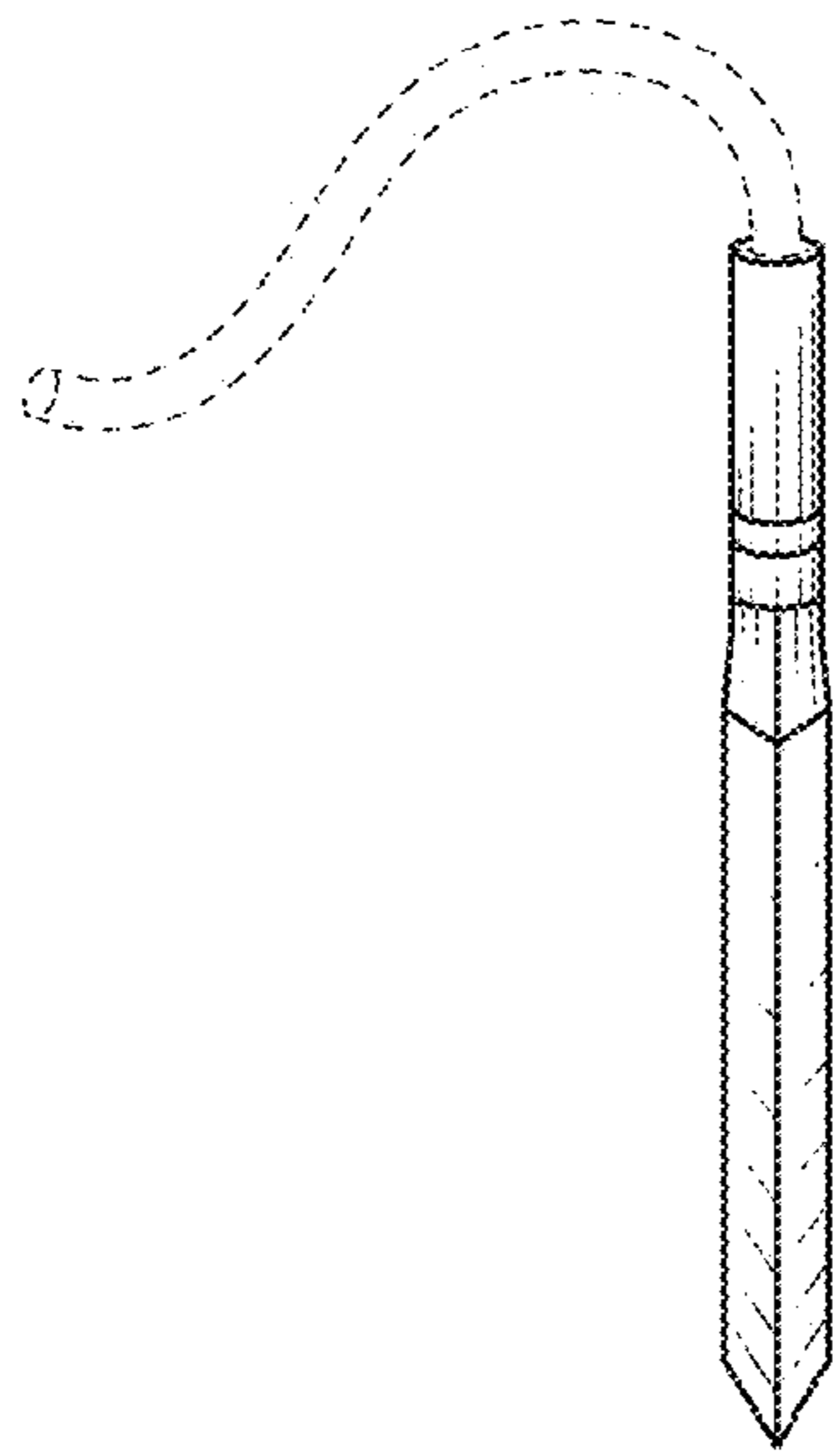


FIG. 4

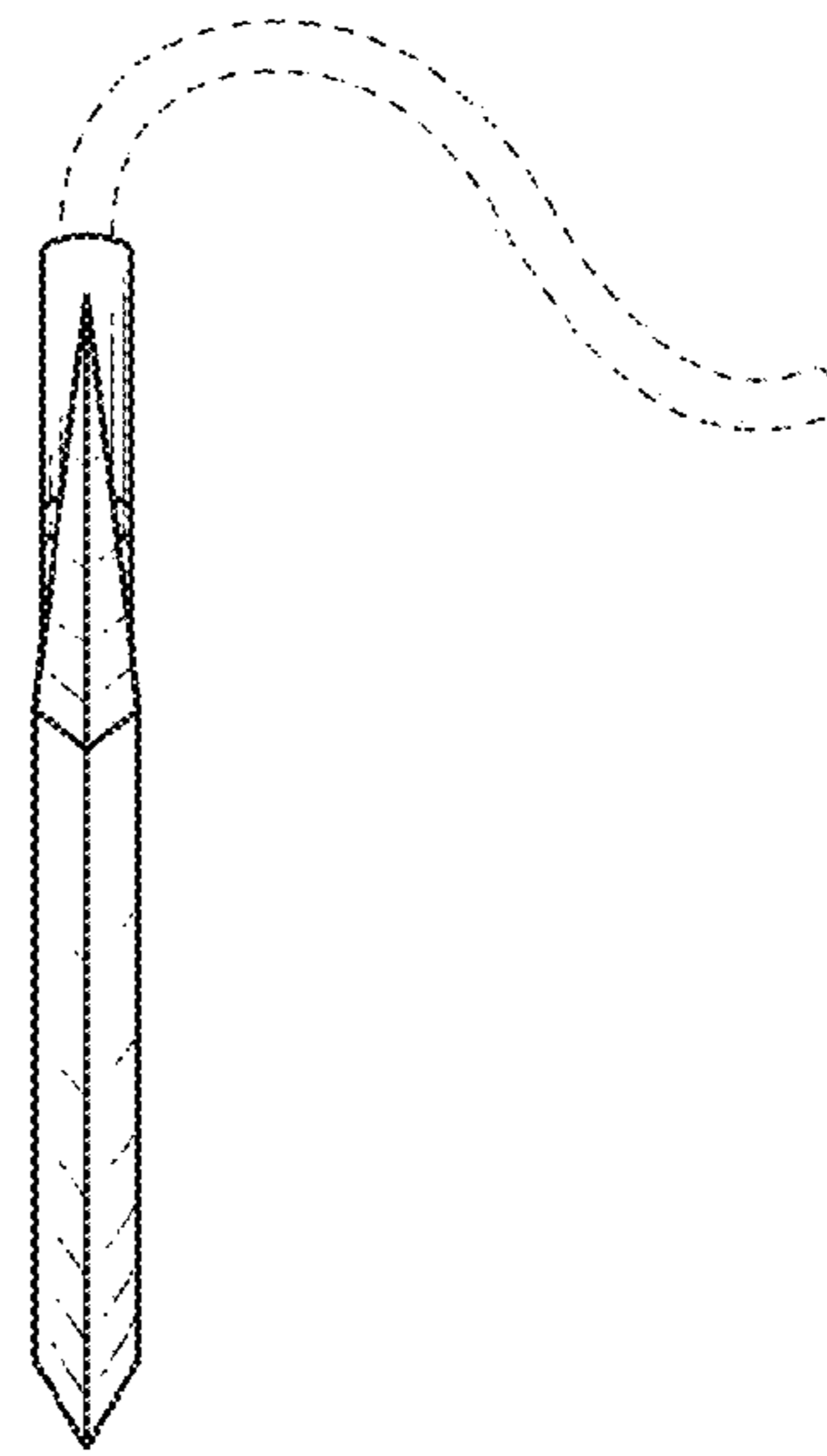


FIG. 5

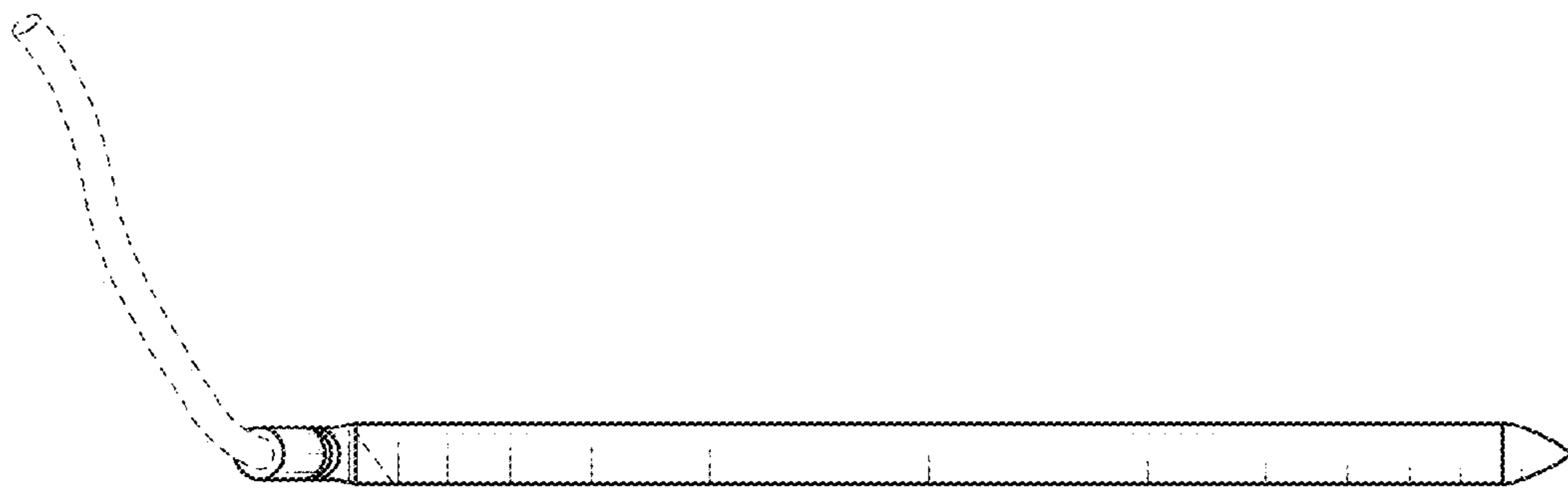


FIG. 6

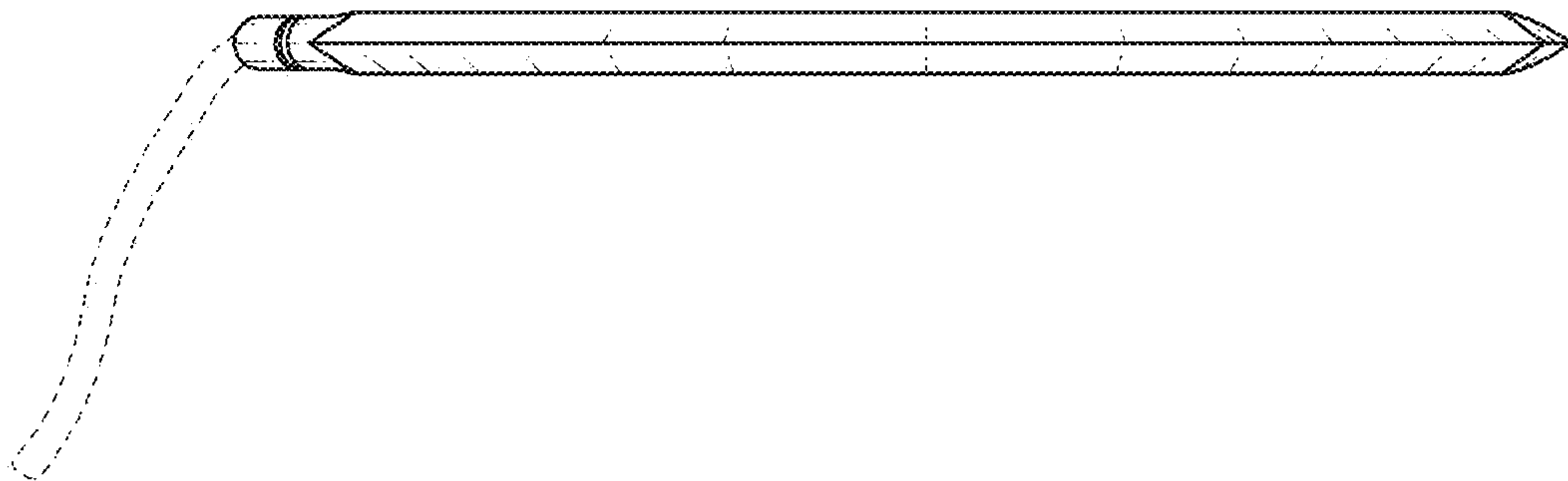


FIG. 7

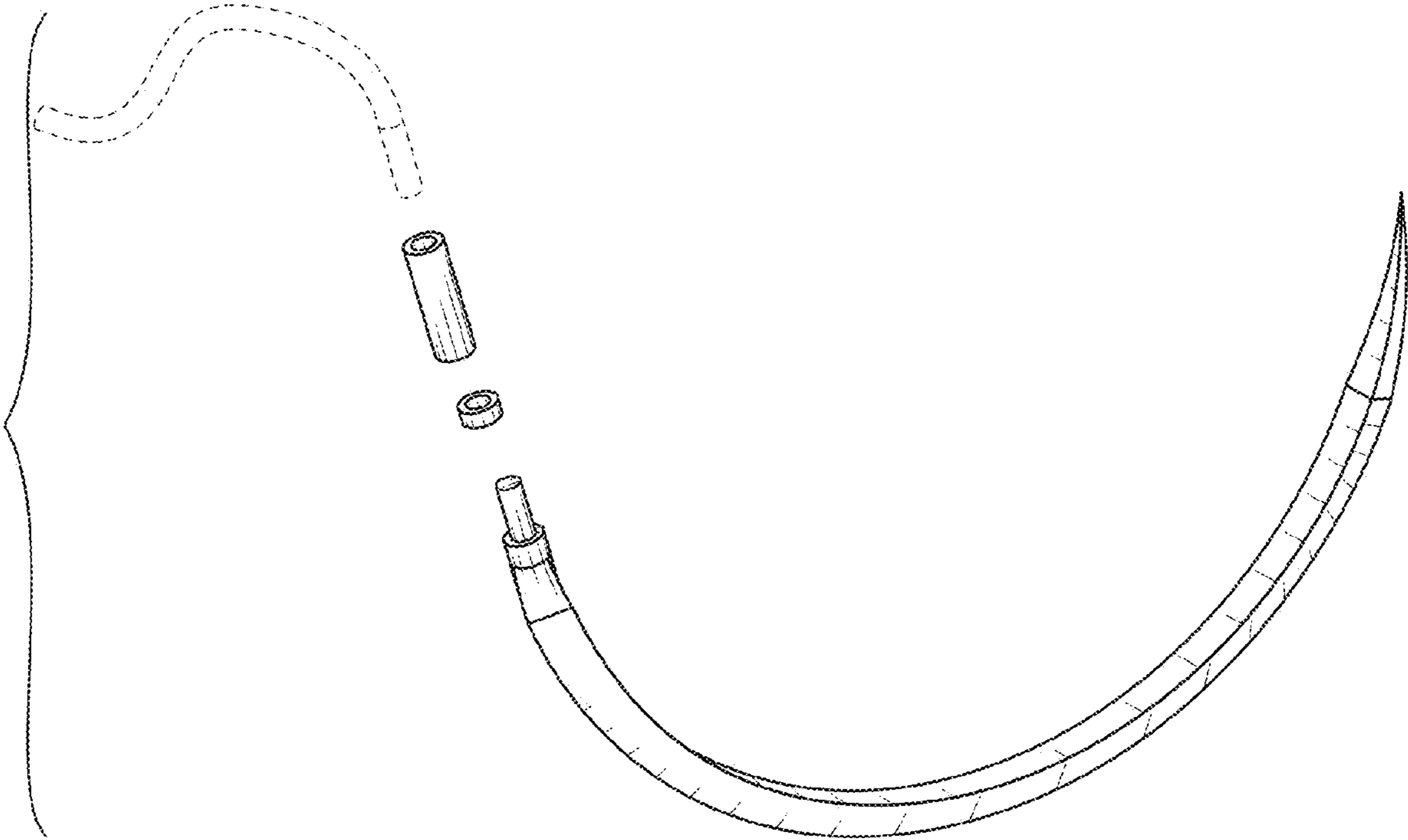


FIG. 8