



US00D938030S

(12) **United States Design Patent** (10) **Patent No.:** **US D938,030 S**
Zeiner et al. (45) **Date of Patent:** **** Dec. 7, 2021**

(54) **APPLICATOR FOR A SURGICAL STAPLER BUTTRESS**

(71) Applicant: **Cilag GmbH International**, Zug (CH)

(72) Inventors: **Mark S. Zeiner**, Mason, OH (US); **Michael J. Vendely**, Lebanon, OH (US); **Pamela M. Ridgley**, Lebanon, OH (US); **Jason L. Harris**, Lebanon, OH (US); **Christopher J. Hess**, Blue Ash, OH (US); **Gregory J. Bakos**, Mason, OH (US); **John V. Hunt**, Cincinnati, OH (US)

(73) Assignee: **Cilag GmbH International**, Zug (CH)

(**) Term: **15 Years**

(21) Appl. No.: **29/758,749**

(22) Filed: **Nov. 18, 2020**

Related U.S. Application Data

(62) Division of application No. 29/675,197, filed on Dec. 28, 2018, now Pat. No. Des. 903,115.

(51) **LOC (13) Cl.** **24-02**

(52) **U.S. Cl.**
USPC **D24/145**

(58) **Field of Classification Search**
USPC D24/145
CPC . A61B 17/0682; A61B 17/068; A61B 17/072;
A61B 17/07292; A61B 17/07207
See application file for complete search history.

(56) **References Cited**

U.S. PATENT DOCUMENTS

10,166,023 B2 * 1/2019 Vendely A61B 17/07292
10,342,532 B2 * 7/2019 Zeiner A61B 17/07292
10,349,940 B2 * 7/2019 Zeiner A61B 17/07292
10,433,839 B2 * 10/2019 Scheib A61B 17/07292

10,905,424 B2 * 2/2021 Bakos A61B 17/07292
11,033,269 B2 * 6/2021 Vendely A61B 17/07292
11,039,832 B2 * 6/2021 Vendely A61B 17/07292
11,045,188 B2 * 6/2021 Vendely A61B 17/07292
11,051,806 B2 * 7/2021 Vendely A61B 17/07292
11,058,419 B2 * 7/2021 Vendely A61B 17/07292
2017/0055980 A1 * 3/2017 Vendely A61B 17/07292
2017/0055981 A1 * 3/2017 Vendely A61B 17/07292
2017/0055982 A1 * 3/2017 Zeiner A61B 17/07292
2017/0056016 A1 * 3/2017 Barton A61B 17/07292
2017/0056017 A1 * 3/2017 Vendely A61B 17/07292
2017/0056018 A1 * 3/2017 Zeiner A61B 17/07292
2017/0119386 A1 * 5/2017 Scheib A61B 17/07292
2019/0150918 A1 * 5/2019 Vendely A61B 17/07292
2019/0167262 A1 * 6/2019 Vendely A61B 17/07292
2019/0167263 A1 * 6/2019 Vendely A61B 17/07292
2019/0298338 A1 * 10/2019 Vendely A61B 17/07292
2020/0205807 A1 * 7/2020 Bakos A61B 17/07292
2020/0205821 A1 * 7/2020 Vendely A61B 17/07292

(Continued)

Primary Examiner — Wan Laymon

(74) *Attorney, Agent, or Firm* — Frost Brown Todd LLC

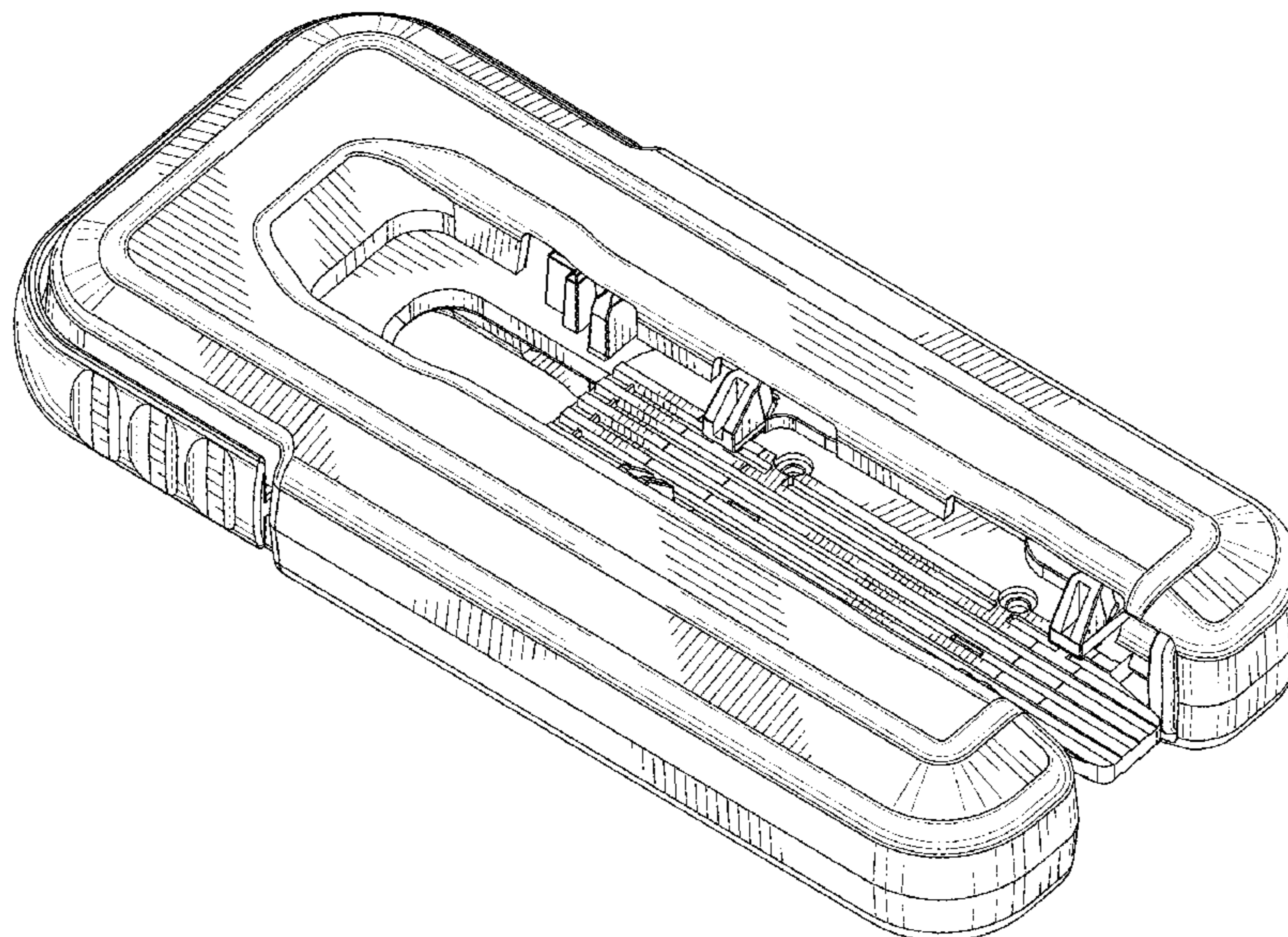
(57) **CLAIM**

The ornamental design for an applicator for a surgical stapler buttress, as shown and described.

DESCRIPTION

FIG. 1 is a perspective view of an applicator for a surgical stapler buttress, showing our new design; FIG. 2 is a front elevational view of the applicator for a surgical stapler buttress of FIG. 1, the opposite rear elevational view being a mirror image thereof; FIG. 3 is a right side elevational view of the applicator for a surgical stapler buttress of FIG. 1; FIG. 4 is a left side elevational view of the applicator for a surgical stapler buttress of FIG. 1; and, FIG. 5 is a top plan view of the applicator for a surgical stapler buttress of FIG. 1, the opposite bottom plan view being a mirror image thereof.

1 Claim, 4 Drawing Sheets



(56)

References Cited

U.S. PATENT DOCUMENTS

2020/0205823 A1* 7/2020 Vendely A61B 17/07292
2020/0205824 A1* 7/2020 Barton A61B 17/07292
2020/0205825 A1* 7/2020 Vendely A61B 17/07207
2020/0205827 A1* 7/2020 Bakos A61B 17/07292

* cited by examiner

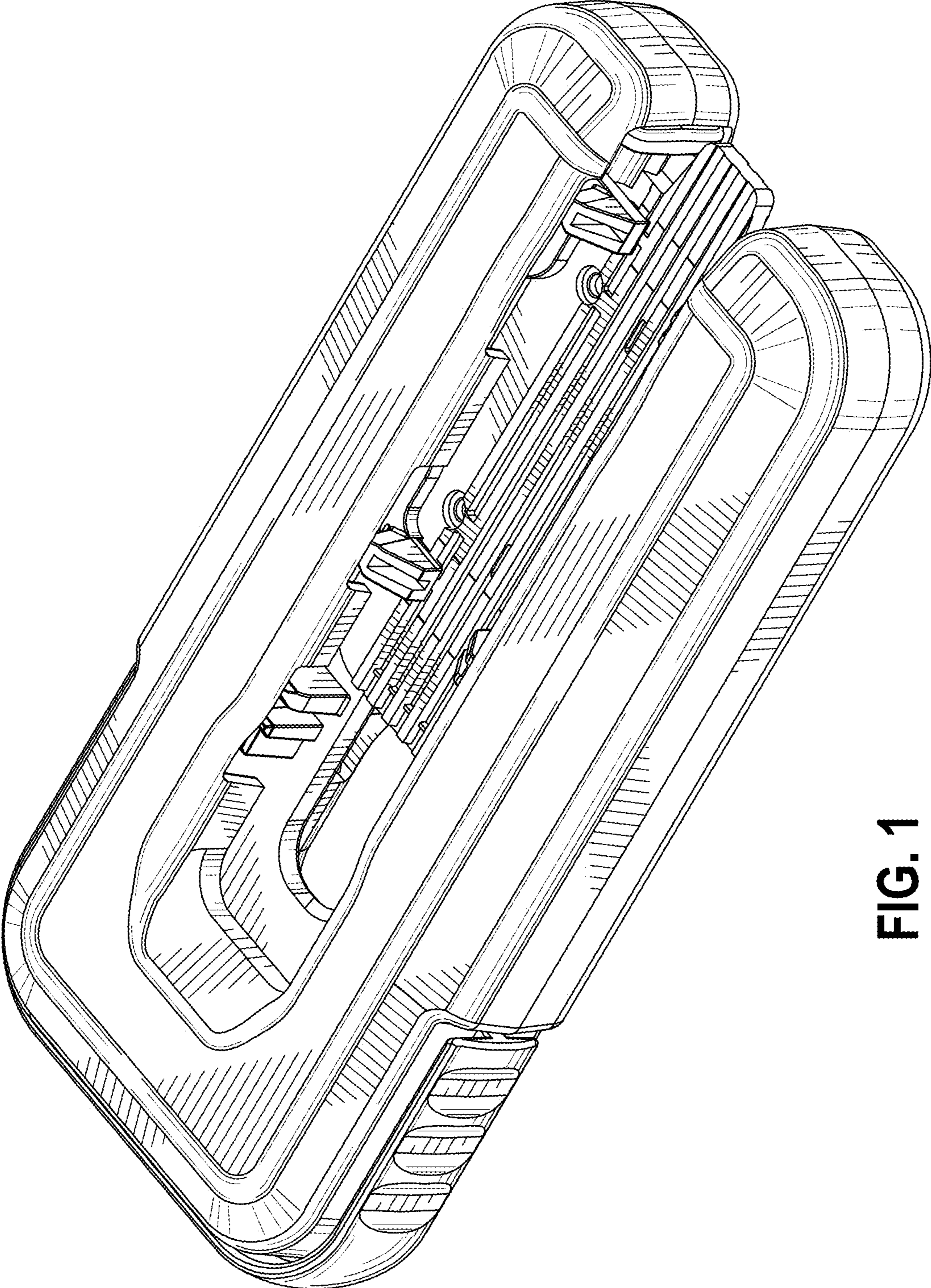


FIG. 1

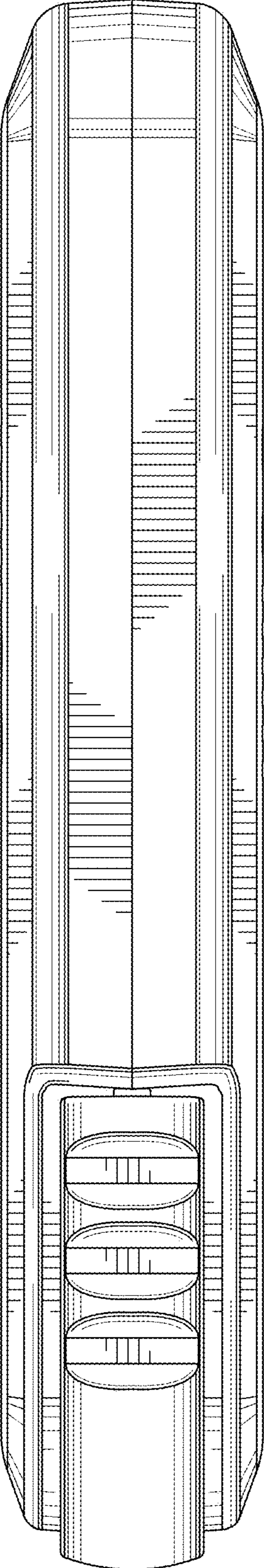


FIG. 2

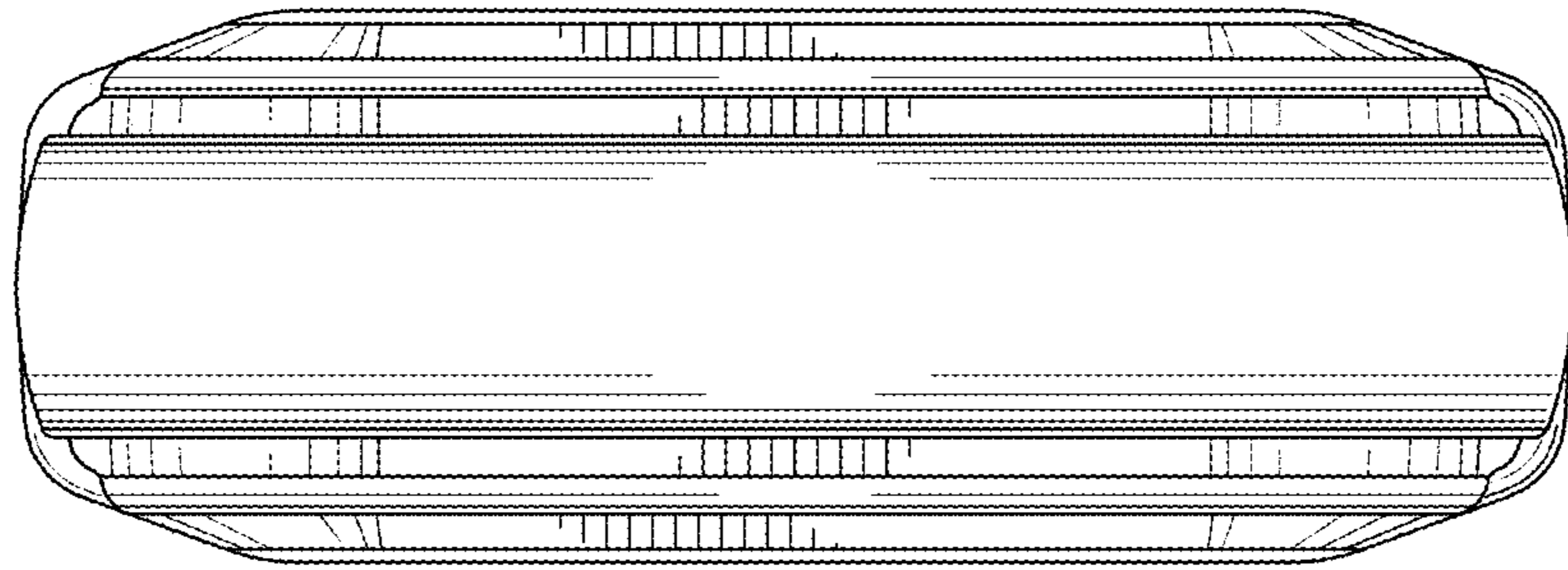


FIG. 3

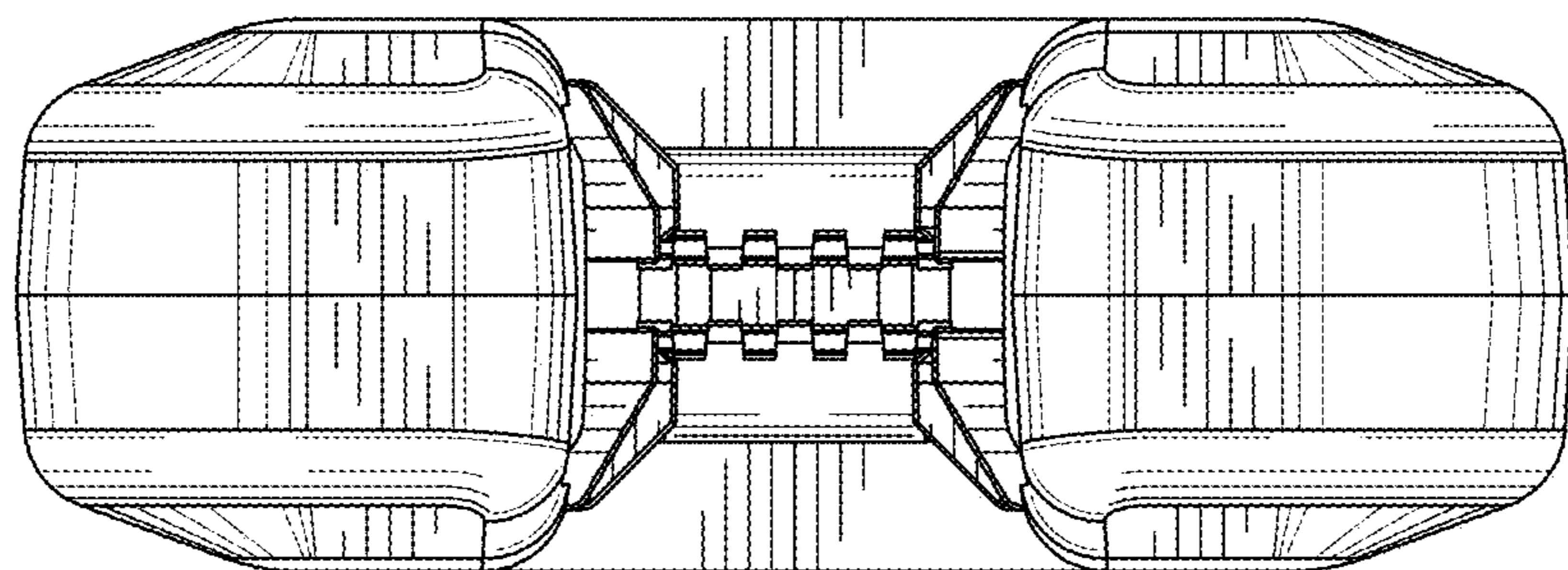


FIG. 4

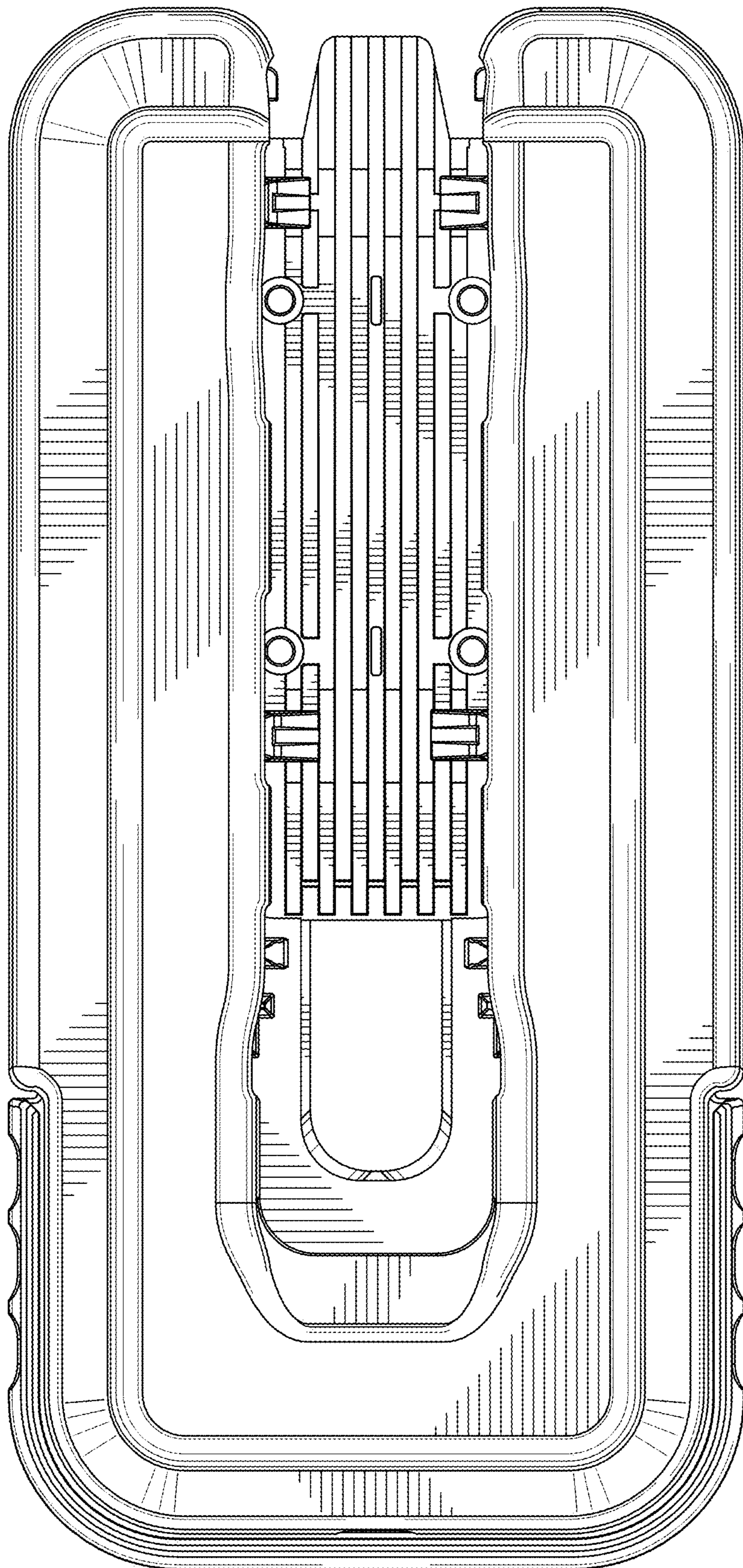


FIG. 5