



US00D938029S

(12) **United States Design Patent**
Campbell et al.

(10) **Patent No.:** **US D938,029 S**
(45) **Date of Patent:** **** Dec. 7, 2021**

(54) **STAPLE RETAINER FOR SURGICAL STAPLER CARTRIDGE**

5,653,373 A 8/1997 Green et al.
5,662,258 A 9/1997 Knodel et al.
5,662,667 A 9/1997 Knodel

(Continued)

(71) Applicant: **Ethicon LLC**, Guaynabo, PR (US)

(72) Inventors: **Macall K. Campbell**, Brentwood, TN (US); **Daniel L. Baber**, West Chester, OH (US)

(73) Assignee: **Cilag GmbH International**, Zug (CH)

(**) Term: **15 Years**

(21) Appl. No.: **29/689,028**

(22) Filed: **Apr. 26, 2019**

(51) **LOC (13) Cl.** **24-02**

(52) **U.S. Cl.**
USPC **D24/145**

(58) **Field of Classification Search**
USPC D24/127, 145
CPC A61B 17/07207; A61B 17/072; A61B 17/064; A61B 17/068; A61B 2017/07214; A61B 2017/07221; A61B 2017/07228; A61B 2017/07271

See application file for complete search history.

(56) **References Cited**

U.S. PATENT DOCUMENTS

4,805,823 A	2/1989	Rothfuss	
5,275,323 A	1/1994	Schulze et al.	
5,307,976 A	5/1994	Olson et al.	
5,415,334 A	5/1995	Williamson, IV et al.	
5,465,895 A	11/1995	Knodel et al.	
5,470,008 A *	11/1995	Rodak	A61B 17/072 227/176.1
5,487,500 A	1/1996	Knodel et al.	
5,597,107 A	1/1997	Knodel et al.	
5,605,272 A	2/1997	Witt et al.	
5,632,432 A	5/1997	Schulze et al.	

FOREIGN PATENT DOCUMENTS

EP 0488768 A1 6/1992
WO WO 2012/142872 A1 10/2012

OTHER PUBLICATIONS

Chinese Office Action, Notification of the First Office Action, dated Feb. 28, 2017 for Application No. 2014800108866, 7 pages.

(Continued)

Primary Examiner — Wan Laymon

(74) *Attorney, Agent, or Firm* — Frost Brown Todd LLC

(57) **CLAIM**

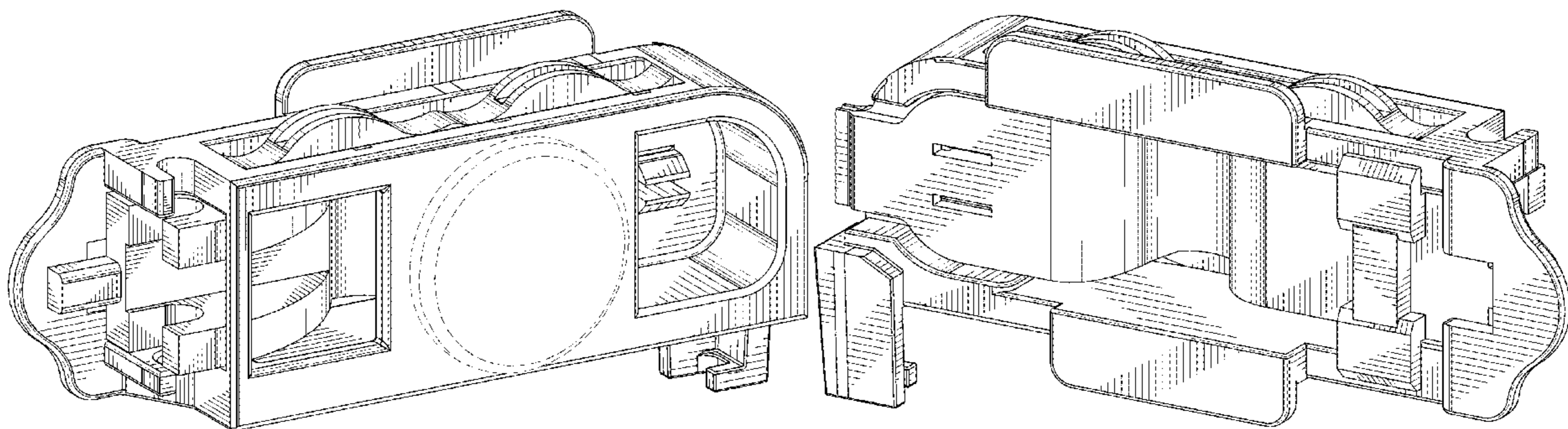
The ornamental design for a staple retainer for surgical stapler cartridge, as shown and described.

DESCRIPTION

FIG. 1 is a front perspective view of a staple retainer for surgical stapler cartridge, showing our new design; FIG. 2 is a rear perspective view of the staple retainer of FIG. 1; FIG. 3 is a front elevational view of the staple retainer of FIG. 1; FIG. 4 is a rear elevational view of the staple retainer of FIG. 1; FIG. 5 is a left side elevational view of the staple retainer of FIG. 1; FIG. 6 is a right side elevational view of the staple retainer of FIG. 1; FIG. 7 is a top plan view of the staple retainer of FIG. 1; and, FIG. 8 is a bottom plan view of the staple retainer of FIG. 1.

The features shown in broken lines are unclaimed environment, and form no part of the claimed design.

1 Claim, 5 Drawing Sheets



(56)

References Cited

U.S. PATENT DOCUMENTS

5,673,840 A 10/1997 Schulze et al.
 5,697,543 A 12/1997 Burdorff
 5,704,534 A 1/1998 Huitema et al.
 5,792,135 A 8/1998 Madhani et al.
 5,814,055 A 9/1998 Knodel et al.
 5,817,084 A 10/1998 Jensen
 5,878,193 A 3/1999 Wang et al.
 5,878,938 A 3/1999 Bittner et al.
 6,231,565 B1 5/2001 Tovey et al.
 6,364,888 B1 4/2002 Niemeyer et al.
 6,783,524 B2 8/2004 Anderson et al.
 6,905,057 B2 6/2005 Swayze et al.
 6,959,852 B2 11/2005 Shelton, IV et al.
 6,978,921 B2 12/2005 Shelton, IV et al.
 6,988,649 B2 1/2006 Shelton, IV et al.
 6,988,650 B2 1/2006 Schwemberger et al.
 7,000,818 B2 2/2006 Shelton, IV et al.
 7,044,352 B2 5/2006 Shelton, IV et al.
 7,083,075 B2 8/2006 Swayze et al.
 7,134,587 B2* 11/2006 Schwemberger A61B 17/072
 227/180.1
 7,143,923 B2 12/2006 Shelton, IV et al.
 7,143,926 B2 12/2006 Shelton, IV et al.
 7,147,139 B2 12/2006 Schwemberger et al.
 7,147,140 B2* 12/2006 Wukusick A61B 17/072
 227/182.1
 7,204,404 B2 4/2007 Nguyen et al.
 7,207,472 B2 4/2007 Wukusick et al.
 7,303,108 B2 12/2007 Shelton, IV et al.
 7,364,061 B2 4/2008 Swayze et al.
 7,367,485 B2 5/2008 Shelton, IV et al.
 7,380,695 B2 6/2008 Doll et al.
 7,380,696 B2 6/2008 Shelton, IV et al.
 7,404,508 B2 7/2008 Smith et al.
 7,419,080 B2 9/2008 Smith et al.
 7,434,715 B2 10/2008 Shelton, IV et al.
 7,455,208 B2 11/2008 Wales et al.
 7,490,749 B2 2/2009 Schall et al.
 7,524,320 B2 4/2009 Tierney et al.
 7,549,564 B2 6/2009 Boudreaux
 7,644,848 B2 1/2010 Swayze et al.
 7,658,311 B2 2/2010 Boudreaux
 7,691,098 B2 4/2010 Wallace et al.
 7,721,930 B2 5/2010 McKenna et al.
 7,753,245 B2 7/2010 Boudreaux et al.
 7,798,386 B2 9/2010 Schall et al.
 7,806,891 B2 10/2010 Nowlin et al.
 7,954,684 B2 6/2011 Boudreaux
 8,210,411 B2 7/2012 Yates et al.
 8,245,898 B2 8/2012 Smith et al.
 8,408,439 B2 4/2013 Huang et al.
 8,453,914 B2 6/2013 Laurent et al.
 8,479,969 B2 7/2013 Shelton, IV
 8,573,461 B2 11/2013 Shelton, IV et al.
 8,573,465 B2 11/2013 Shelton, IV
 8,579,176 B2 11/2013 Smith et al.
 8,602,288 B2 12/2013 Shelton, IV et al.
 8,608,046 B2 12/2013 Laurent et al.

8,616,431 B2 12/2013 Timm et al.
 8,783,541 B2 7/2014 Shelton, IV et al.
 8,800,838 B2 8/2014 Shelton, IV
 9,186,142 B2 11/2015 Fanelli et al.
 9,517,065 B2 12/2016 Simms et al.
 9,717,497 B2 8/2017 Zerkle et al.
 9,795,379 B2 10/2017 Leimbach et al.
 9,808,248 B2 11/2017 Hoffman
 9,839,421 B2 12/2017 Zerkle et al.
 9,867,615 B2 1/2018 Fanelli et al.
 10,045,780 B2 8/2018 Adams et al.
 10,092,292 B2 10/2018 Boudreaux et al.
 2005/0023324 A1 2/2005 Doll et al.
 2005/0143759 A1* 6/2005 Kelly A61B 17/072
 606/139
 2005/0246880 A1* 11/2005 Kelly A61B 17/072
 29/434
 2006/0180634 A1 8/2006 Shelton, IV et al.
 2007/0010838 A1 1/2007 Shelton, IV et al.
 2007/0073341 A1 3/2007 Smith et al.
 2007/0084897 A1 4/2007 Shelton, IV et al.
 2007/0175955 A1 8/2007 Shelton, IV et al.
 2008/0099530 A1 5/2008 Olson et al.
 2010/0193567 A1 8/2010 Scheib et al.
 2011/0084112 A1 4/2011 Kostrzewski
 2011/0163147 A1 7/2011 Laurent et al.
 2011/0290853 A1 12/2011 Shelton, IV et al.
 2012/0138660 A1 6/2012 Shelton, IV et al.
 2012/0181322 A1 7/2012 Whitman et al.
 2012/0199630 A1 8/2012 Shelton, IV et al.
 2012/0199632 A1 8/2012 Spivey et al.
 2012/0203247 A1 8/2012 Shelton, IV et al.
 2013/0012957 A1 1/2013 Shelton, IV et al.
 2020/0337701 A1* 10/2020 Campbell A61B 17/072

OTHER PUBLICATIONS

Extended European Search Report dated May 16, 2014 for U.S. Appl. No. 14/157,358.
 Extended European Search Report and Written Opinion dated Nov. 8, 2016 for Application No. EP 16176672.0, 8 pages.
 International Search Report and Written Opinion dated May 27, 2014 for International Application No. PCT/US2014/016202, 6 pages.
 International Preliminary Report on Patentability dated Sep. 1, 2015 for International Application No. PCT/US2014/016202, 9 pages.
 U.S. Appl. No. 16/234,740, entitled "Surgical Stapler with Sloped Staple Deck for Varying Tissue Compression," filed Dec. 28, 2018.
 U.S. Appl. No. 16/395,357, entitled "Tissue Cutting Washer for Right Angle Surgical Stapler," filed Apr. 26, 2019.
 U.S. Appl. No. 16/395,359, entitled "Cartridge Based Lockout Mechanism for Right Angle Surgical Stapler," filed Apr. 26, 2019.
 U.S. Appl. No. 16/395,364, entitled "Staple Retainer for Surgical Stapler Cartridge," filed Apr. 26, 2019.
 U.S. Appl. No. 16/583,690, entitled "Circular Surgical Stapler," filed Sep. 26, 2019.
 Design U.S. Appl. No. 29/689,028, entitled "Staple Retainer for Surgical Stapler Cartridge," filed Apr. 26, 2019.

* cited by examiner

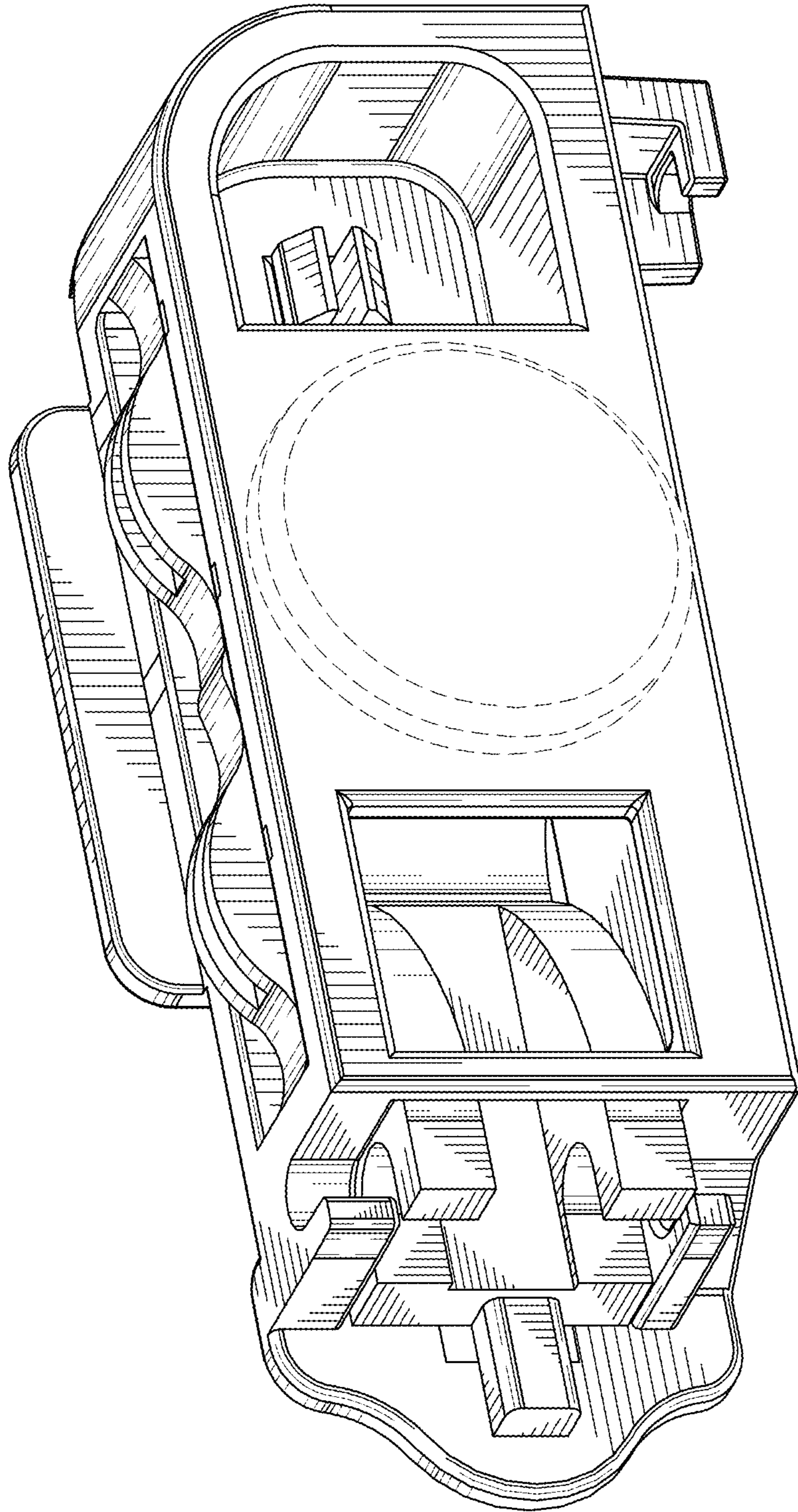


FIG. 1

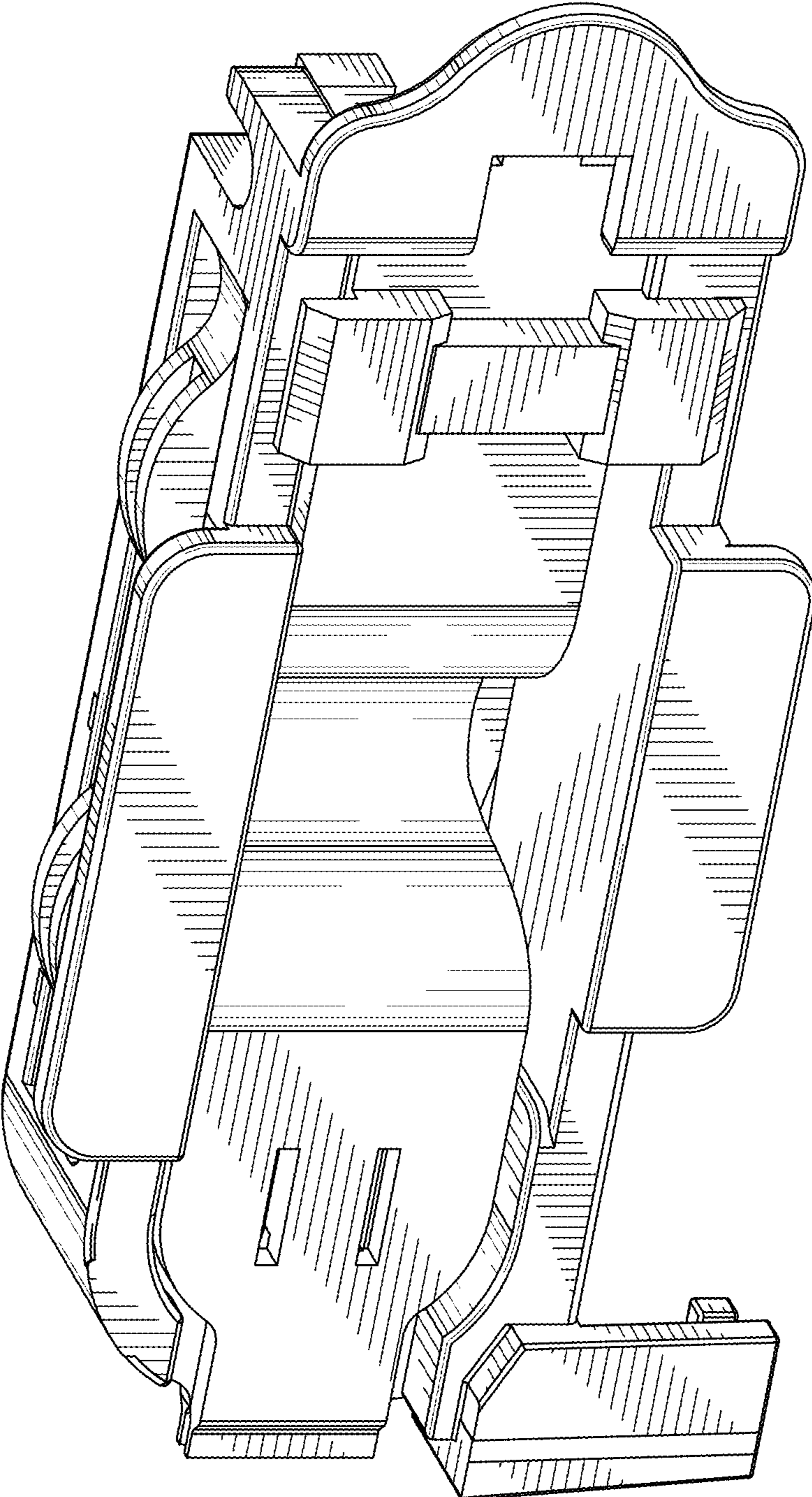


FIG. 2

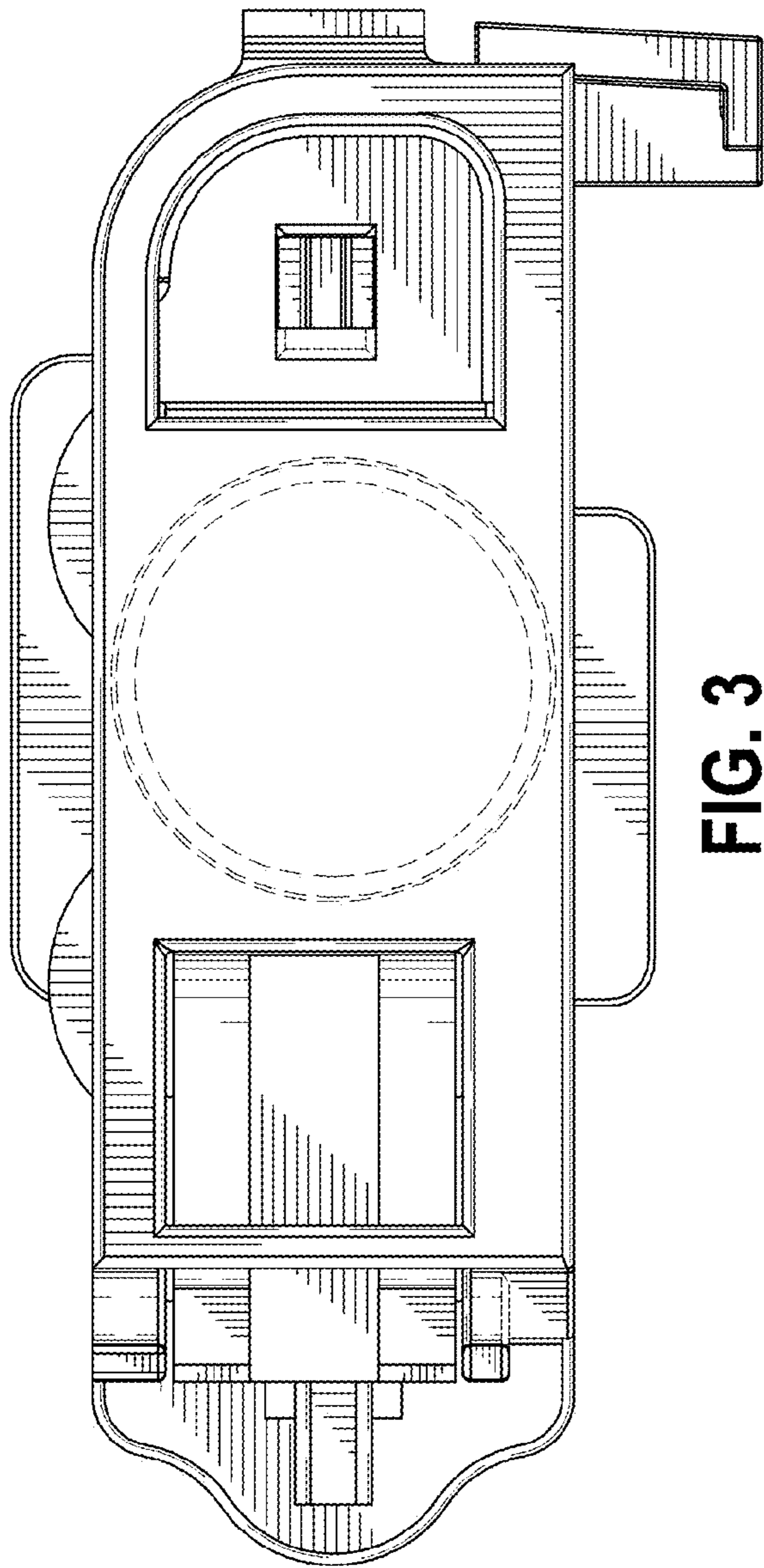


FIG. 3

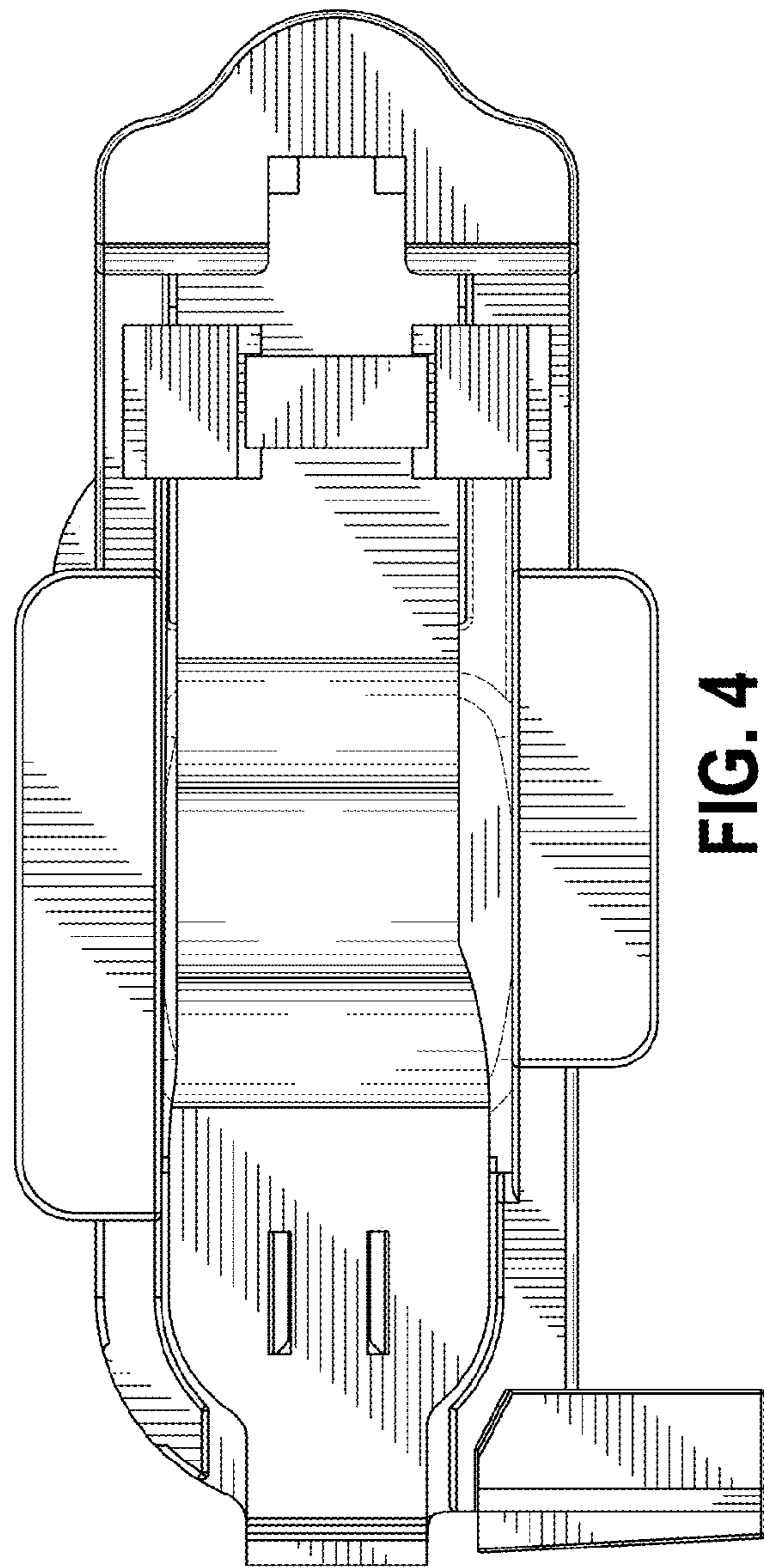


FIG. 4

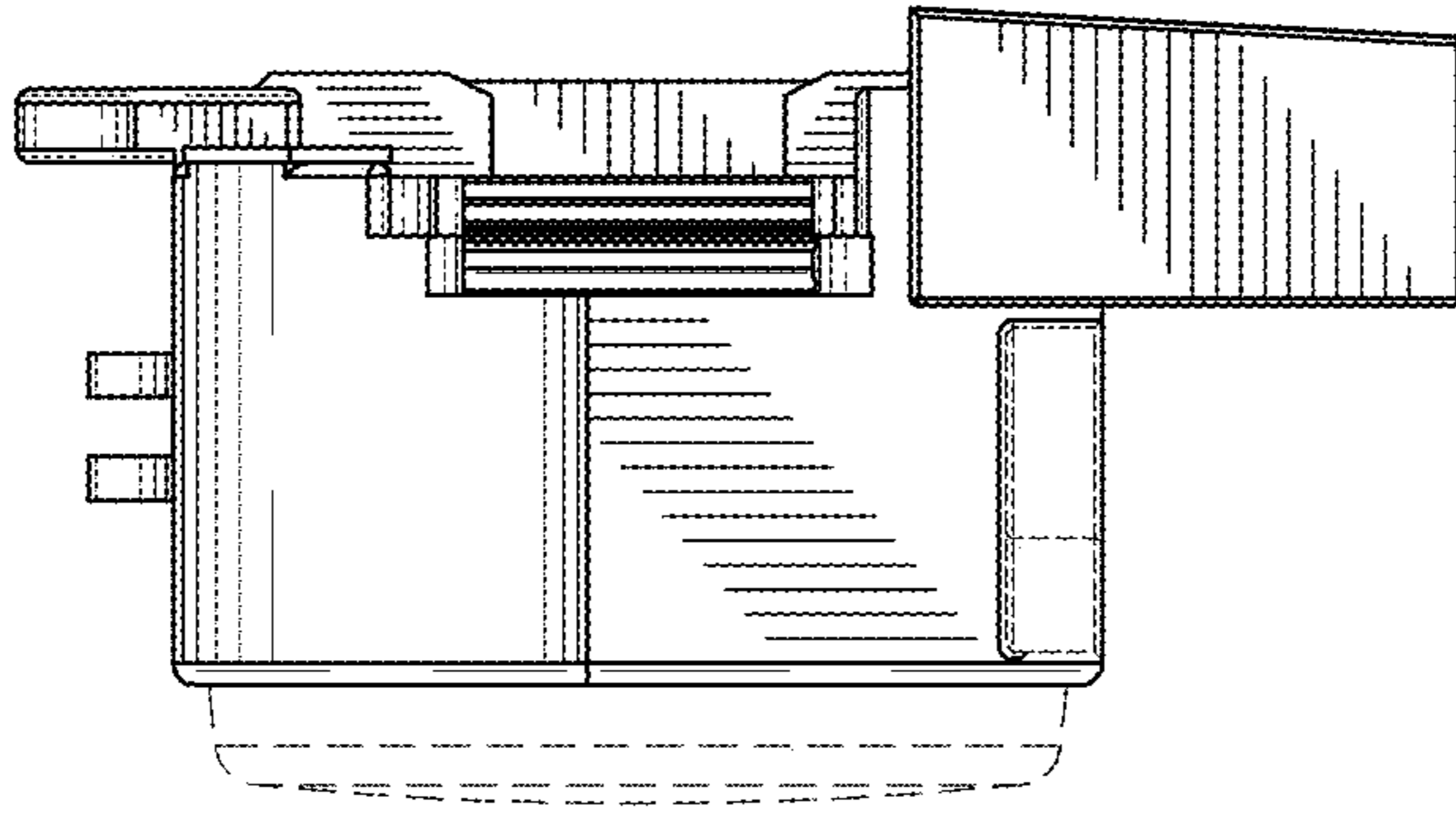


FIG. 6

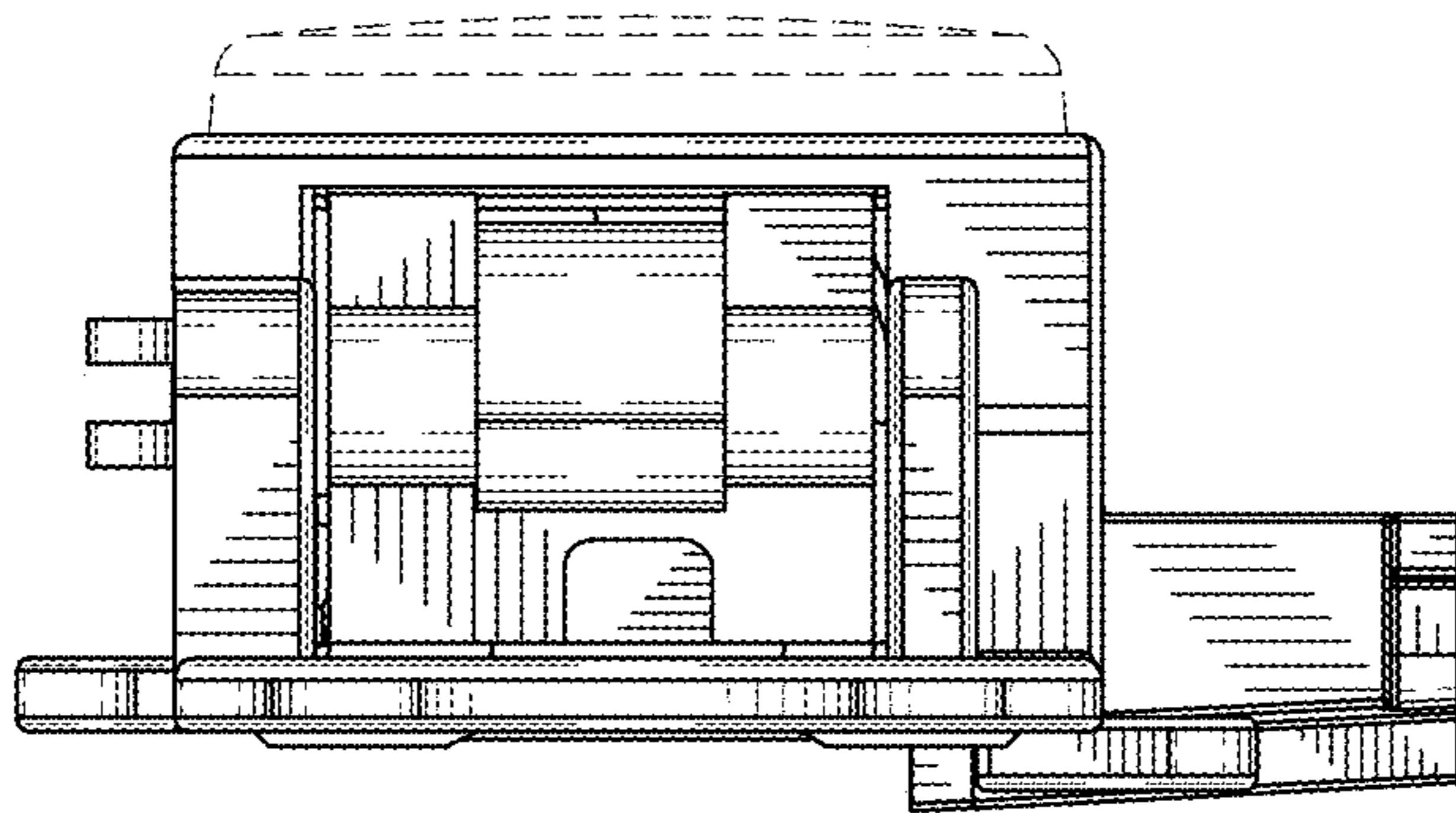


FIG. 5

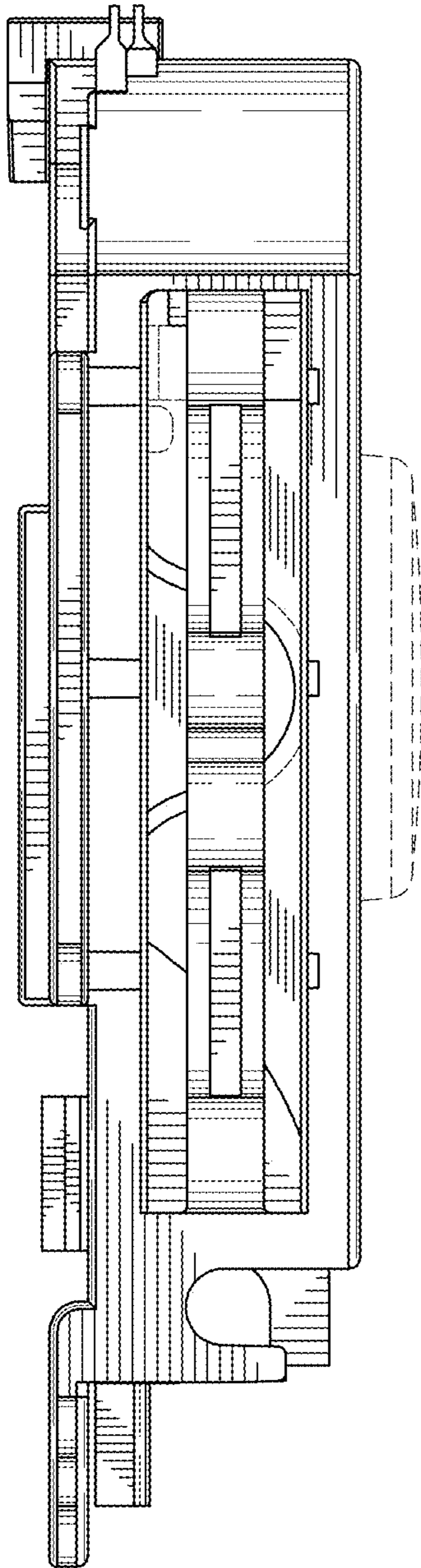


FIG. 7

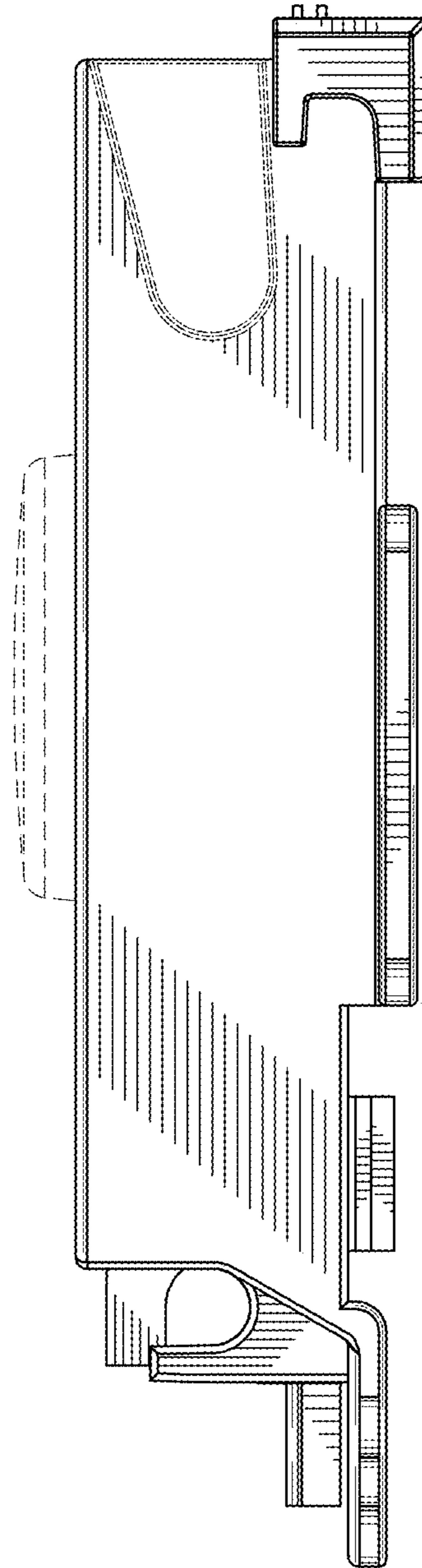


FIG. 8