



US00D938028S

(12) **United States Design Patent** (10) **Patent No.:** **US D938,028 S**
Hauser et al. (45) **Date of Patent:** **** Dec. 7, 2021**

(54) **MEDICAL INSTRUMENT**

(71) Applicant: **Scholly Fiberoptic GmbH**, Denzlingen (DE)

(72) Inventors: **Stephan Hauser**, Breisach (DE);
Simon Kuhn, Freiburg (DE)

(73) Assignee: **Schölly Fiberoptic GmbH**, Denzlingen (DE)

(**) Term: **15 Years**

(21) Appl. No.: **29/645,802**

(22) Filed: **Apr. 30, 2018**

(30) **Foreign Application Priority Data**

Nov. 6, 2017 (EM) 004496255

(51) **LOC (13) Cl.** **24-02**

(52) **U.S. Cl.**
USPC **D24/138**

(58) **Field of Classification Search**
USPC D24/133, 138, 137, 144-146
CPC A61B 1/0052
See application file for complete search history.

(56) **References Cited**

U.S. PATENT DOCUMENTS

D501,864 S * 2/2005 Greise D16/202
D607,032 S * 12/2009 Halleck D16/202

D651,312 S * 12/2011 Halleck D24/138
D673,987 S * 1/2013 Mirrer D16/202
D709,192 S * 7/2014 Czupalla D24/138
D768,854 S * 10/2016 Halleck D24/138
D771,252 S * 11/2016 Osada D24/138
D785,174 S * 4/2017 Osada D24/138
D788,831 S * 6/2017 Pilz D16/130

* cited by examiner

Primary Examiner — Eliza Z Bennett-Hattan
(74) *Attorney, Agent, or Firm* — Volpe Koenig

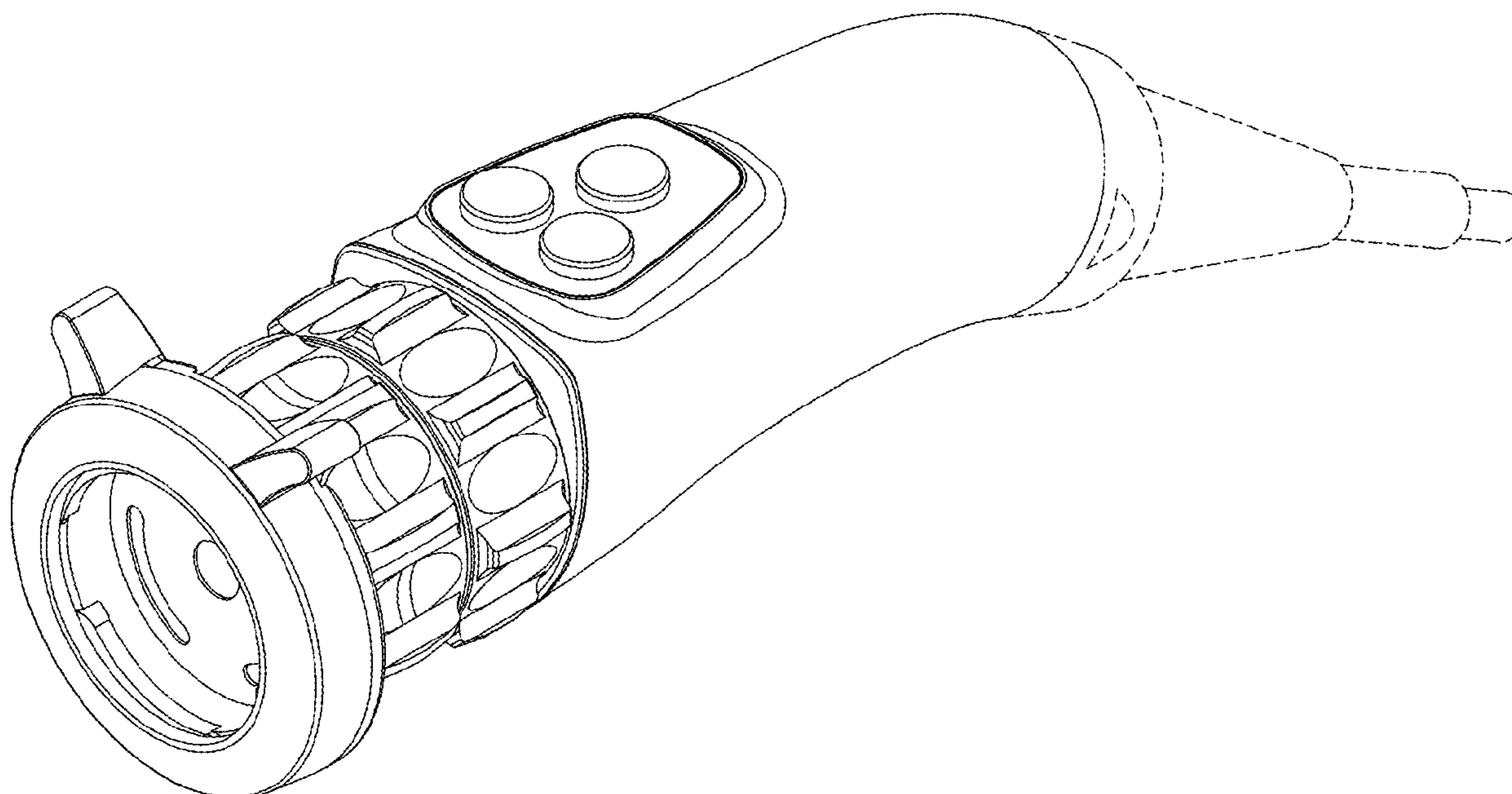
(57) **CLAIM**

The ornamental design for a medical instrument, as shown and described.

DESCRIPTION

FIG. 1 is a top, front, left perspective view of a medical instrument in accordance with our design;
FIG. 2 is a top plan view thereof;
FIG. 3 is bottom plan view thereof;
FIG. 4 is a left side elevational view thereof;
FIG. 5 is a right side elevational view thereof;
FIG. 6 is a front elevational view thereof; and,
FIG. 7 is a rear elevational view thereof.
The broken lines represent portions of the medical instrument that form no part of the claimed design.

1 Claim, 6 Drawing Sheets



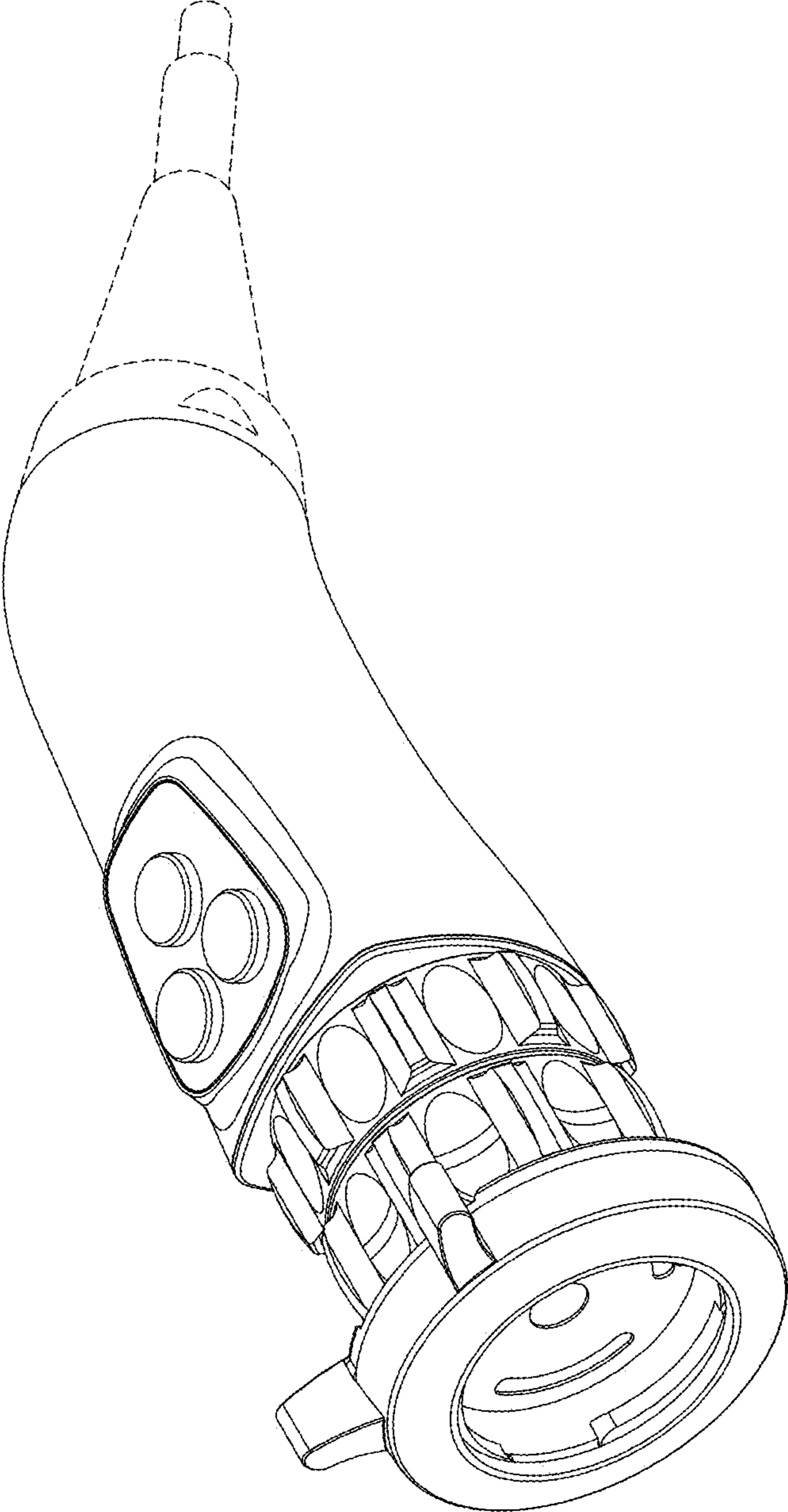


FIG. 1

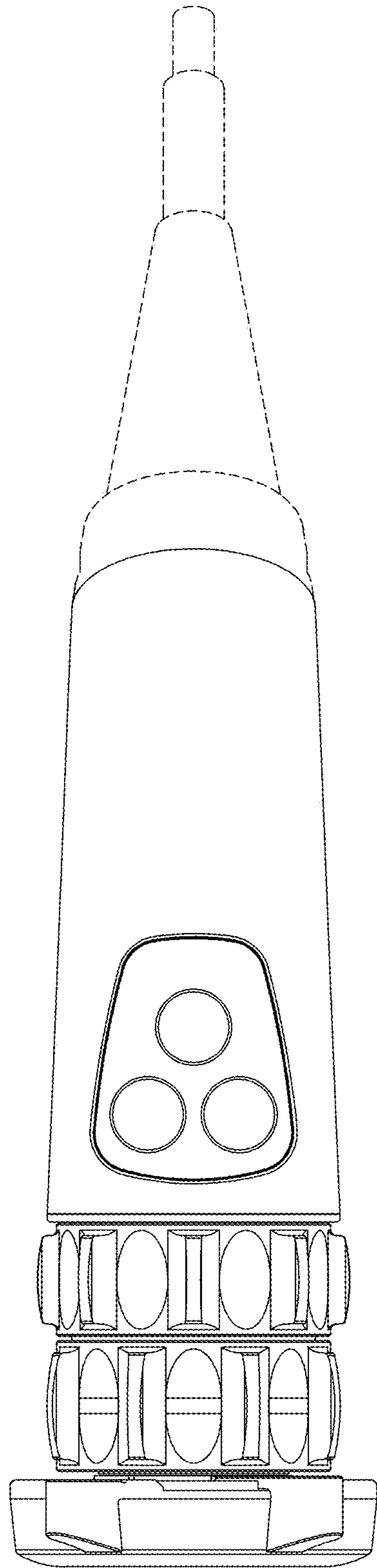


FIG. 2

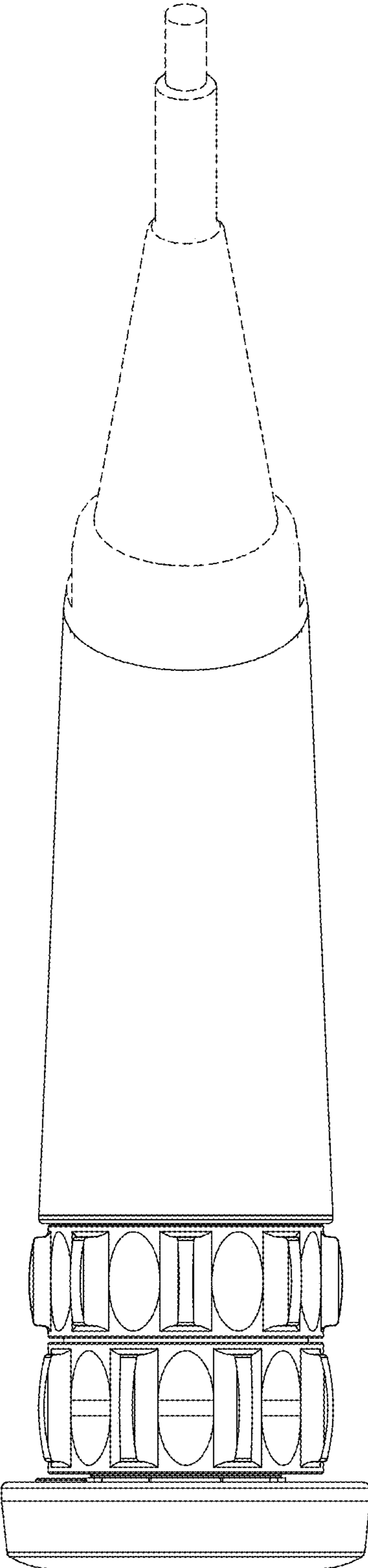


FIG. 3

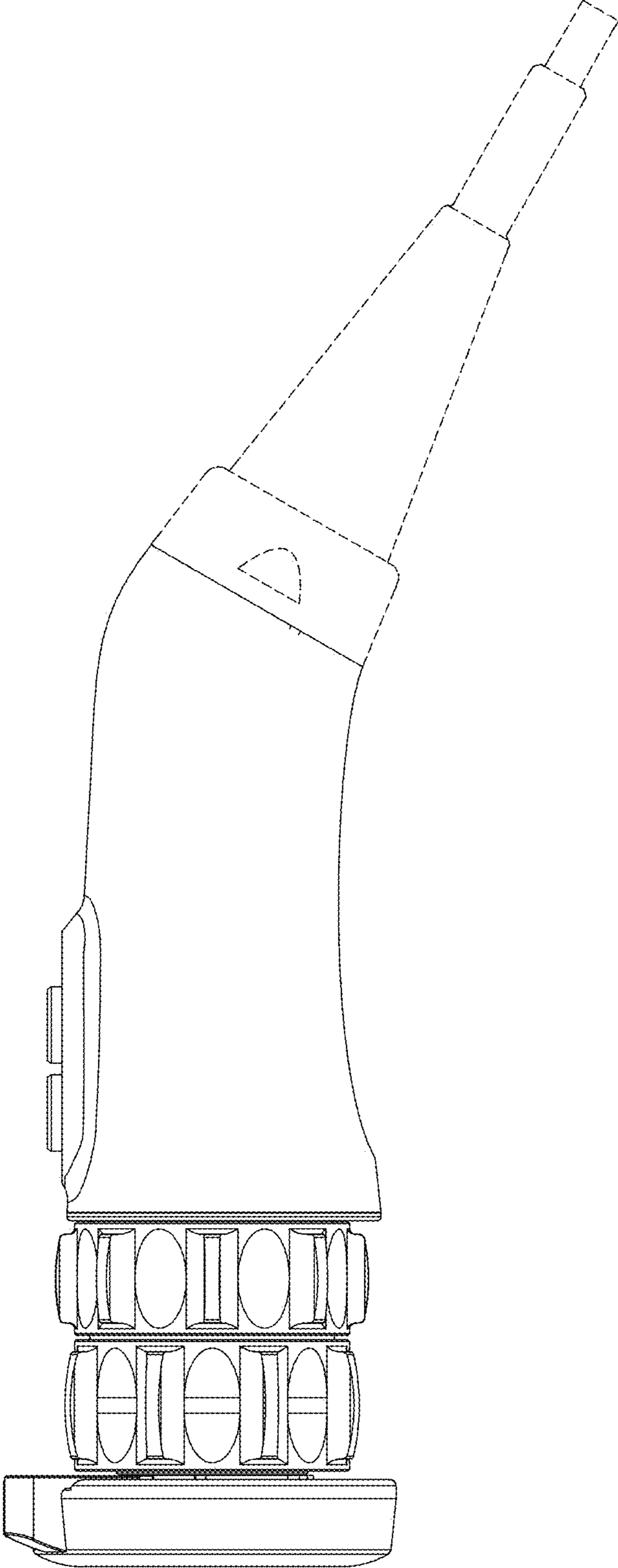


FIG. 4

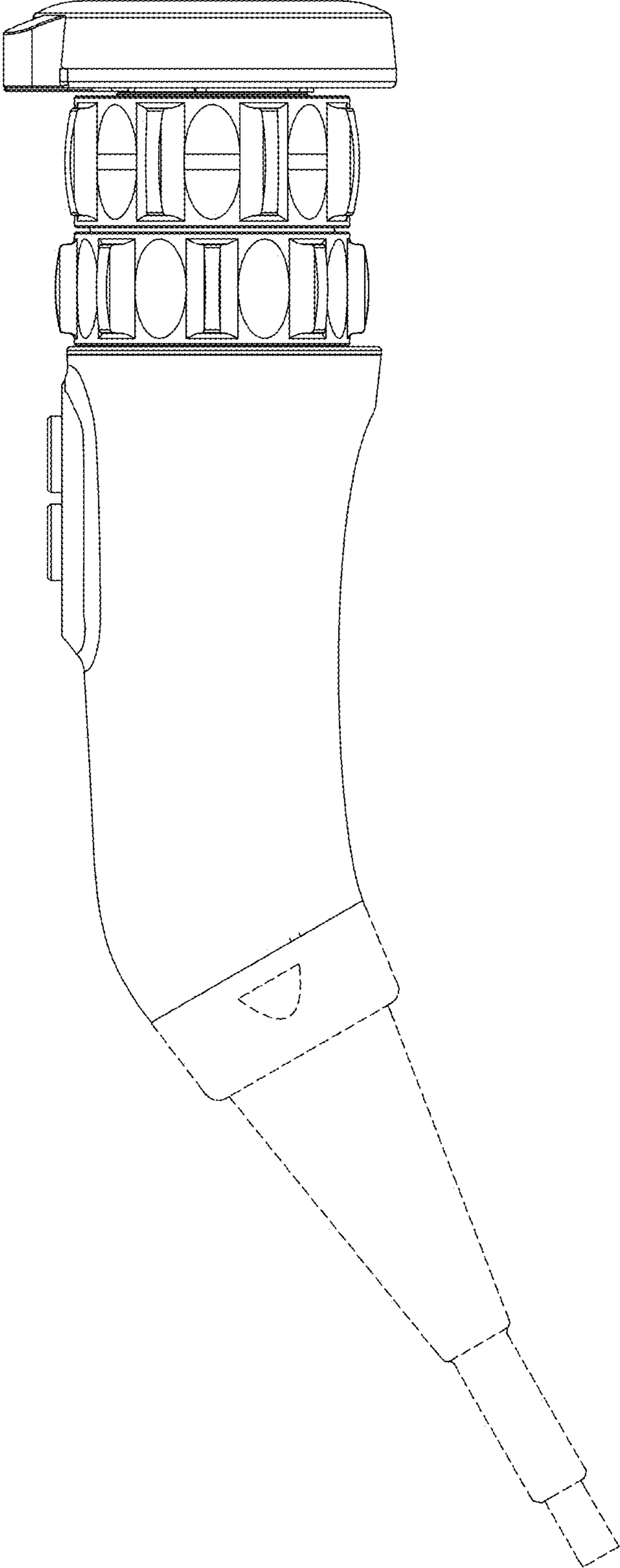


FIG. 5

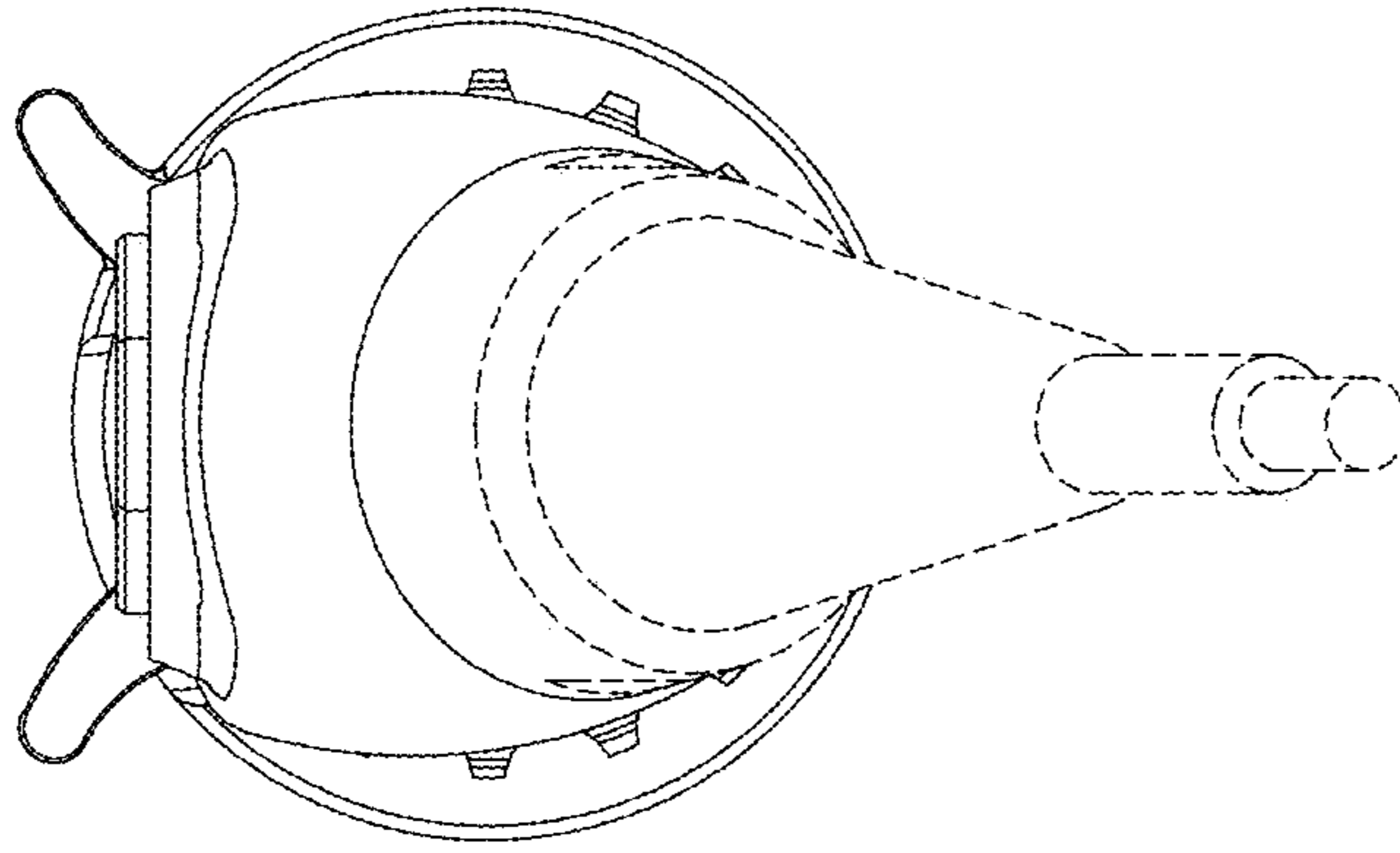


FIG. 7

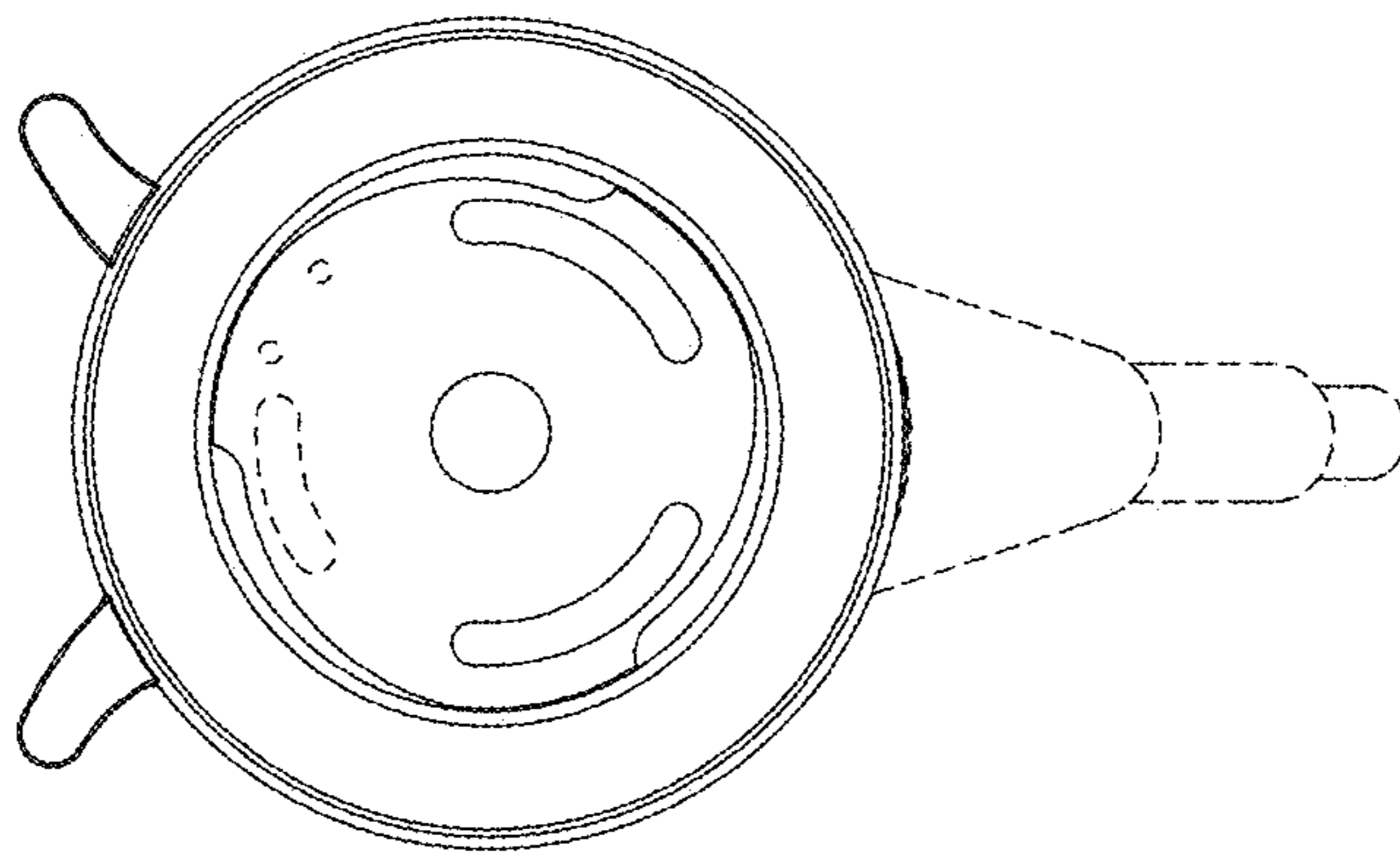


FIG. 6