



US00D938027S

(12) **United States Design Patent**
Zhang et al.

(10) **Patent No.:** **US D938,027 S**

(45) **Date of Patent:** **** Dec. 7, 2021**

- (54) **DISPENSER GUN**
- (71) Applicant: **Adhezion Biomedical, LLC**,
Wyomissing, PA (US)
- (72) Inventors: **Sheng Zhang**, Hickory, NC (US);
Kelsey Moylan, Cary, NC (US); **Roy Melling**,
Borrego Springs, CA (US); **Jeff Bull**, Naperville, IL (US)
- (73) Assignee: **ADHEZION BIOMEDICAL, LLC**,
Wyomissing, PA (US)
- (**) Term: **15 Years**
- (21) Appl. No.: **29/728,144**
- (22) Filed: **Mar. 16, 2020**
- (51) **LOC (13) Cl.** **24-02**
- (52) **U.S. Cl.**
USPC **D24/133**
- (58) **Field of Classification Search**
USPC D8/14, 14.1, 51; D23/223; D7/669;
D24/112, 113, 133
CPC A61B 17/00491; A61B 17/00504; A61B
2017/00513
See application file for complete search history.

- D403,933 S * 1/1999 Strong D8/14.1
- 5,873,499 A * 2/1999 Leschinsky A61M 5/488
222/327
- D463,962 S * 10/2002 Gollaway D8/14.1
- 9,950,855 B1 * 4/2018 Holland A61M 5/31501
- D909,574 S * 2/2021 Chu D24/133
- 2016/0051296 A1 * 2/2016 Weinzweig A61B 17/00491
606/281
- 2016/0376090 A1 * 12/2016 Armes B05B 7/0408
222/23
- 2018/0333742 A1 * 11/2018 Lee, III B05C 17/0123
- 2018/0345311 A1 * 12/2018 Pringle, IV B25J 11/0075
- 2019/0343502 A1 * 11/2019 Parish A61B 17/00491

* cited by examiner

Primary Examiner — Philip S Hyder

(74) *Attorney, Agent, or Firm* — Stradley Ronon Stevens & Young, LLP

(57) **CLAIM**

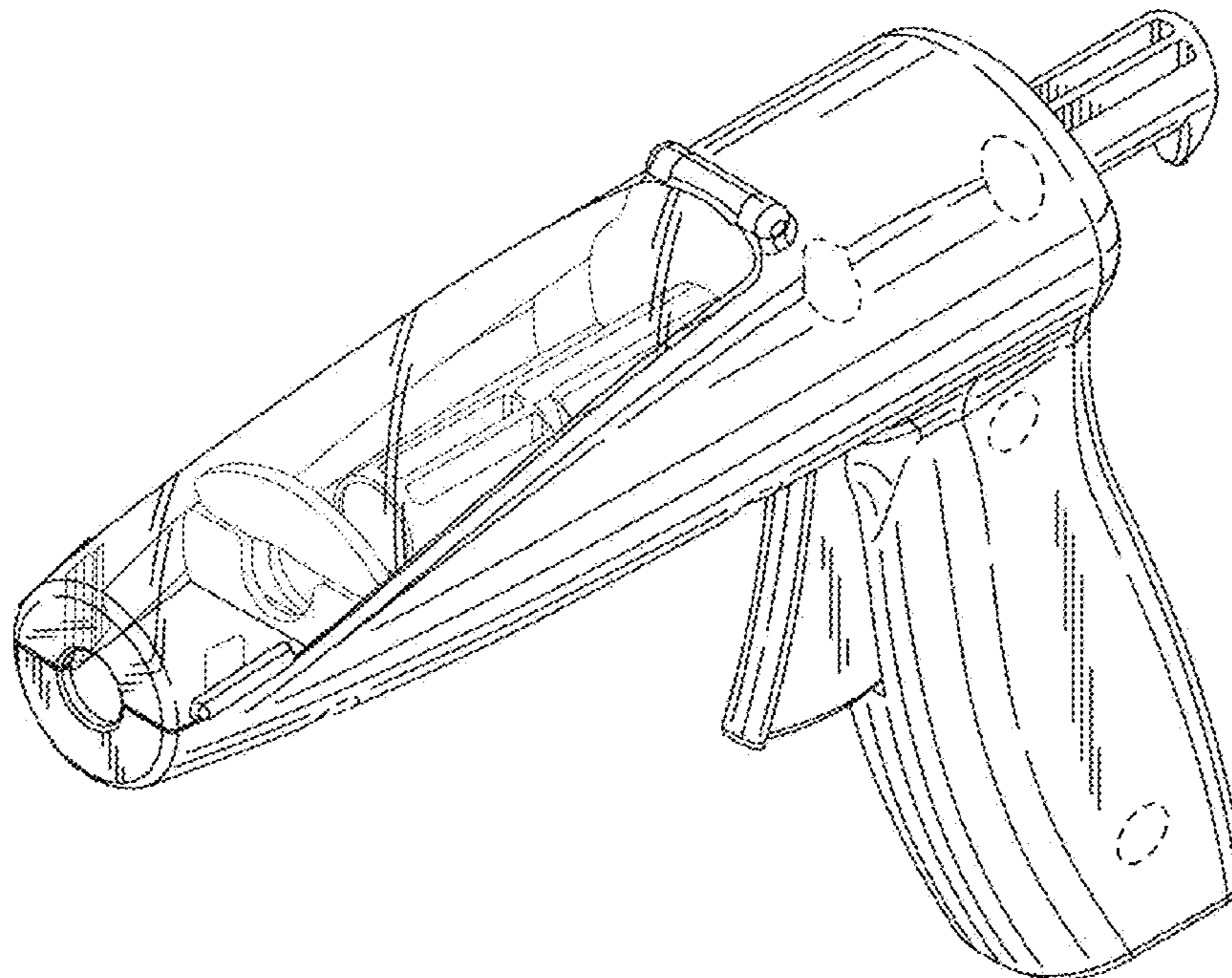
The ornamental design for a dispenser gun, as shown and described.

DESCRIPTION

FIG. 1 is a top left perspective view of the dispenser gun; FIG. 2 is a left elevation view of the dispenser gun; FIG. 3 is a right elevation view of the dispenser gun; FIG. 4 is a bottom plan view of the dispenser gun; FIG. 5 is a top plan view of the dispenser gun; FIG. 6 is a front elevation view of the dispenser gun; and, FIG. 7 is a rear elevation view of the dispenser gun. Shade lines shown in the accompanying drawings of FIGS. 1-7 represent surface contour only and not texture, color shading, or surface ornamentation. The broken lines depict portions of the dispensing gun in which the design is embodied that are not considered part of the claimed design.

1 Claim, 5 Drawing Sheets

- (56) **References Cited**
U.S. PATENT DOCUMENTS
- 5,022,563 A * 6/1991 Marchitto B05C 17/0123
222/327
- D348,811 S * 7/1994 Albers D8/14.1
- D363,405 S * 10/1995 Elliott, Sr. D7/669
- 5,551,603 A * 9/1996 Woodruff B05B 11/007
222/325
- D382,456 S * 8/1997 Granville, Jr. D8/14.1



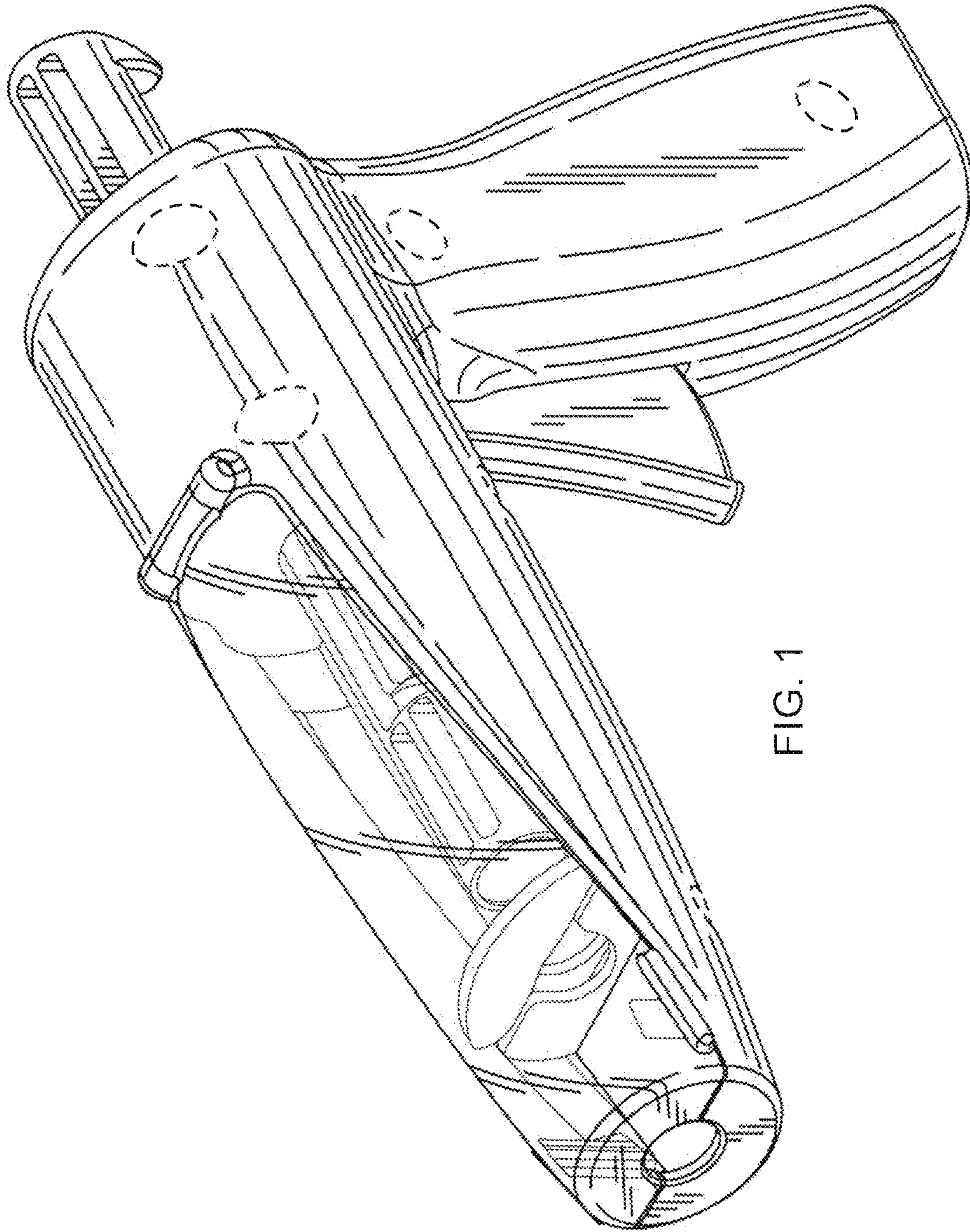


FIG. 1

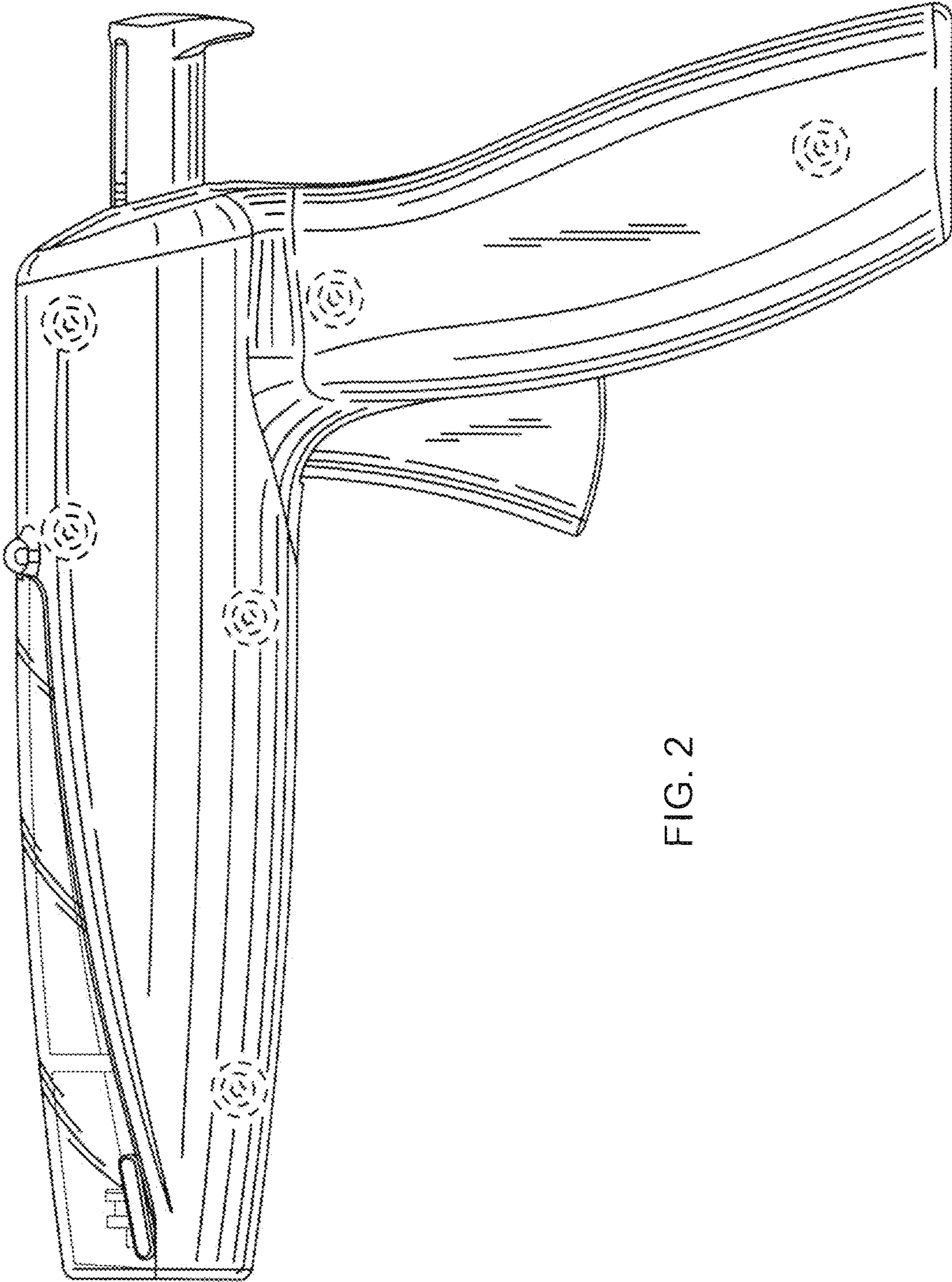


FIG. 2

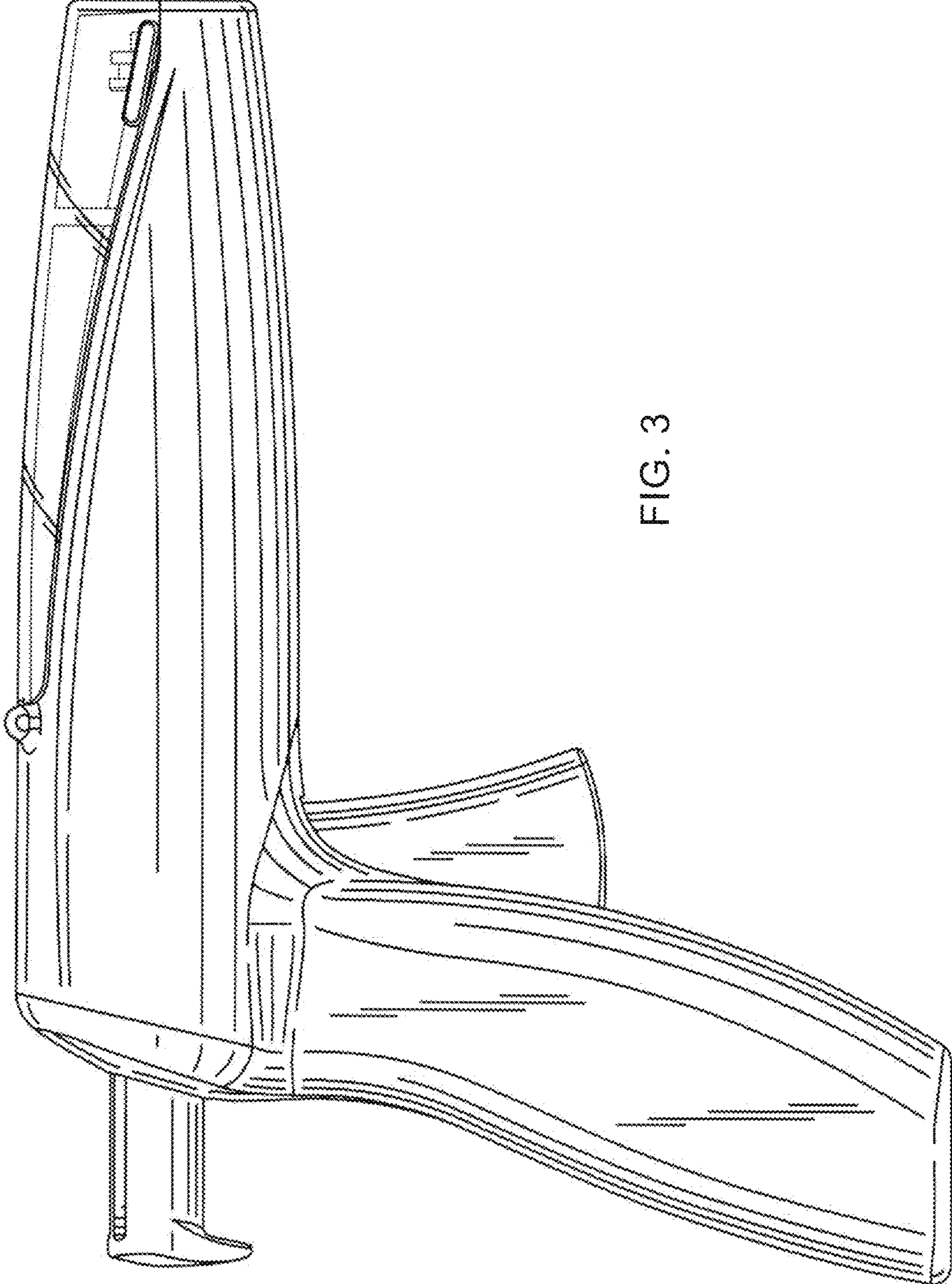


FIG. 3

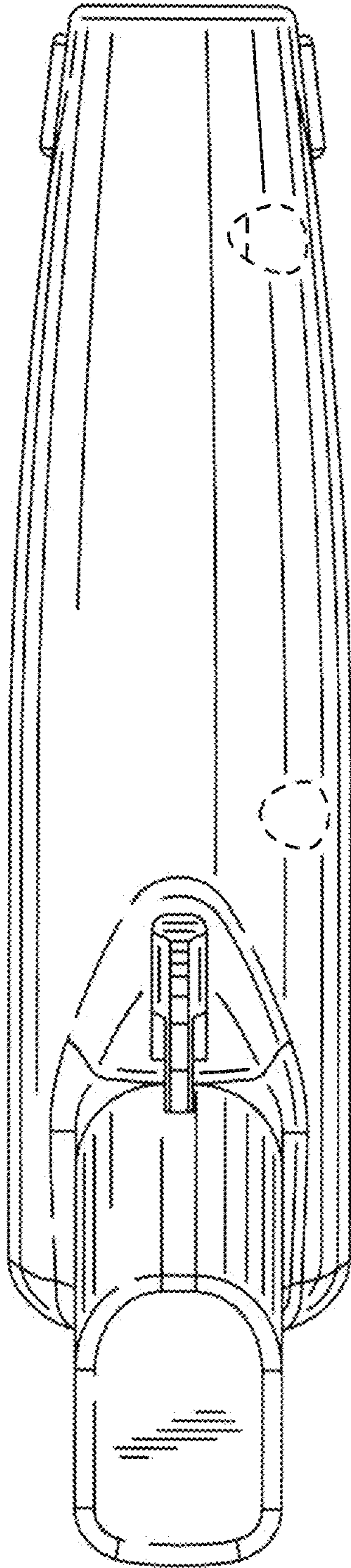


FIG. 4

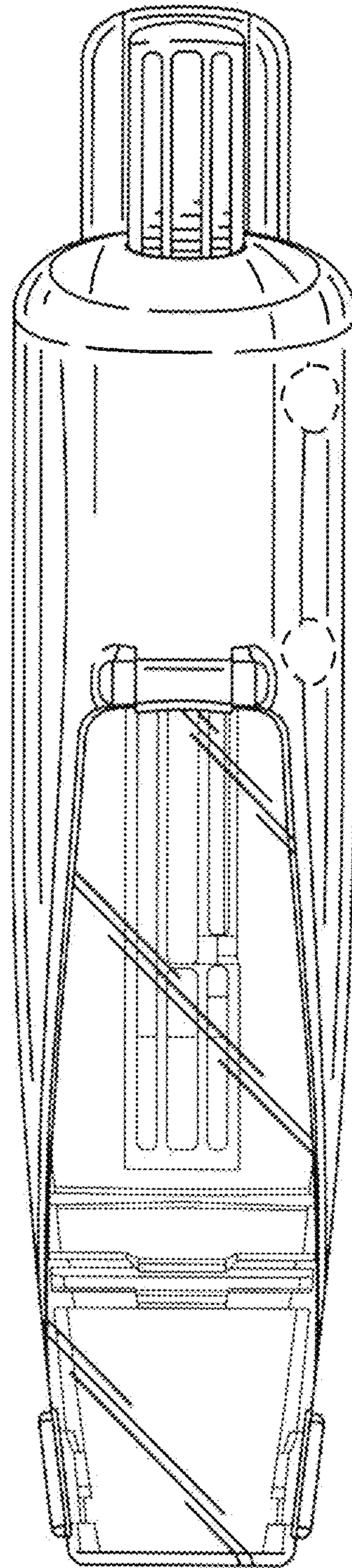


FIG. 5

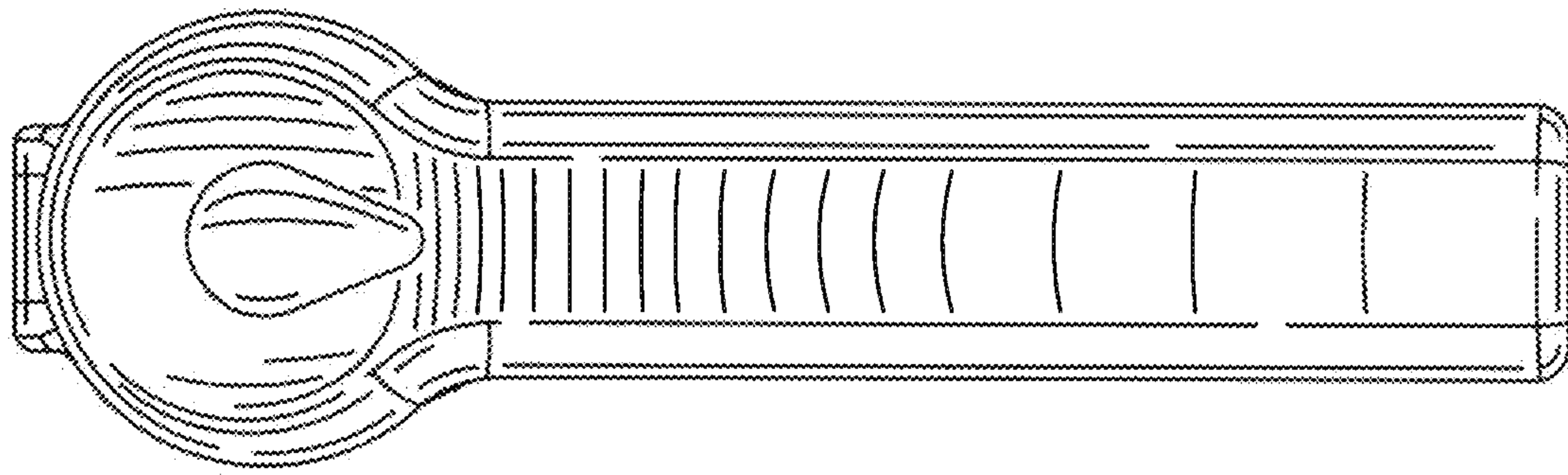


FIG. 7

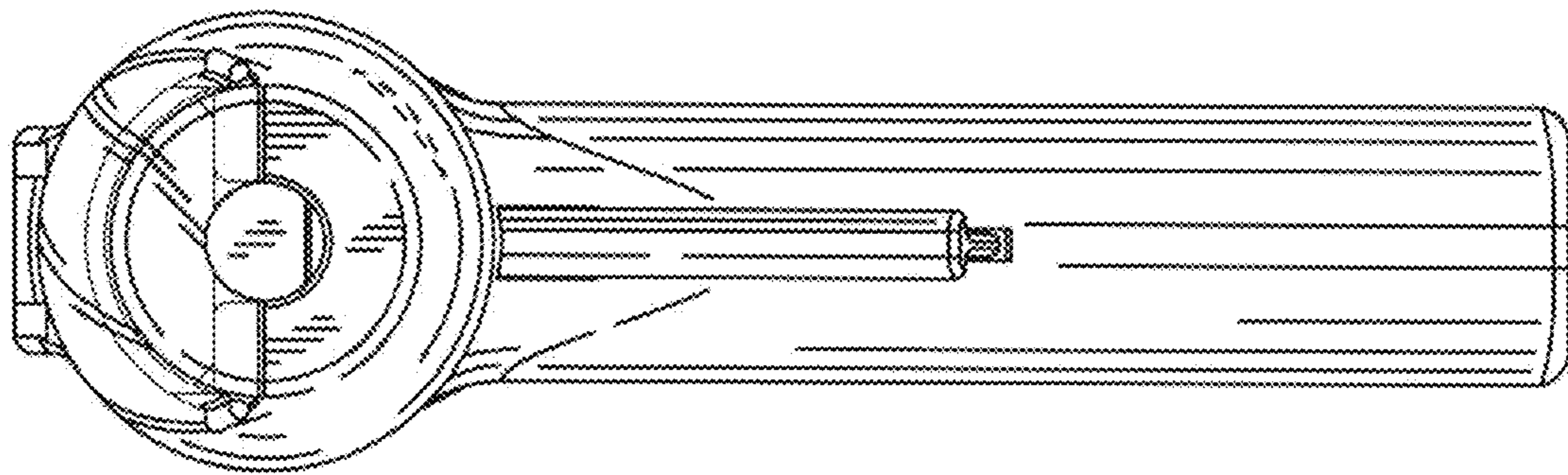


FIG. 6