



US00D938024S

(12) **United States Design Patent**  
**Bainton et al.**

(10) **Patent No.:** **US D938,024 S**  
(45) **Date of Patent:** **\*\* Dec. 7, 2021**

(54) **INJECTOR SHIELD**

(71) Applicant: **Becton Dickinson France, Le**  
**Pont-de-Claix (FR)**

(72) Inventors: **Eleanor Bainton, Kineton (GB);**  
**Daniel Paul Jenkins, St Albans (GB);**  
**Maartje Saskia Pel, Leamington Spa**  
**(GB); Malcolm Stanley Boyd,**  
**Wellesbourne (GB)**

(73) Assignee: **Becton Dickinson France, Le**  
**Pont-de-Claix (FR)**

(\*\*) Term: **15 Years**

(21) Appl. No.: **29/722,910**

(22) Filed: **Feb. 3, 2020**

(51) **LOC (13) Cl.** ..... **24-02**

(52) **U.S. Cl.**  
USPC ..... **D24/130**

(58) **Field of Classification Search**  
USPC ..... D24/112–114, 108, 133, 130, 127, 186;  
606/181, 185; 604/264, 272, 187, 181,  
604/184, 227  
CPC ..... A61M 5/178; A61M 3/00; A61M 5/20;  
A61M 5/31; A61M 5/3146; A61M  
5/3129; A61M 5/3148; A61M 5/315  
See application file for complete search history.

(56) **References Cited**

**U.S. PATENT DOCUMENTS**

D465,846 S \* 11/2002 Hwang ..... D24/130  
9,737,664 B2 \* 8/2017 Gardner ..... A61M 5/347  
10,675,414 B2 \* 6/2020 Kirsh ..... A61M 5/3129

10,857,306 B2 \* 12/2020 Holmqvist ..... A61M 5/31568  
10,857,343 B2 \* 12/2020 Di Ubaldi ..... A61M 5/178  
D907,769 S \* 1/2021 Khalaj ..... D24/130  
10,981,129 B2 \* 4/2021 Kapre ..... A61M 5/34  
11,013,865 B2 \* 5/2021 Maritan ..... A61M 5/347  
11,116,299 B2 \* 9/2021 Chinlund ..... A45C 13/02  
2013/0110050 A1 \* 5/2013 Boyd ..... A61M 5/2448  
604/191  
2014/0094757 A1 \* 4/2014 Mercer ..... A61M 5/2448  
604/191  
2014/0249480 A1 \* 9/2014 Mercer ..... A61M 5/3294  
604/198  
2021/0100957 A1 \* 4/2021 McIntyre ..... A61B 5/15003

\* cited by examiner

*Primary Examiner* — David G Muller

(74) *Attorney, Agent, or Firm* — The Webb Law Firm

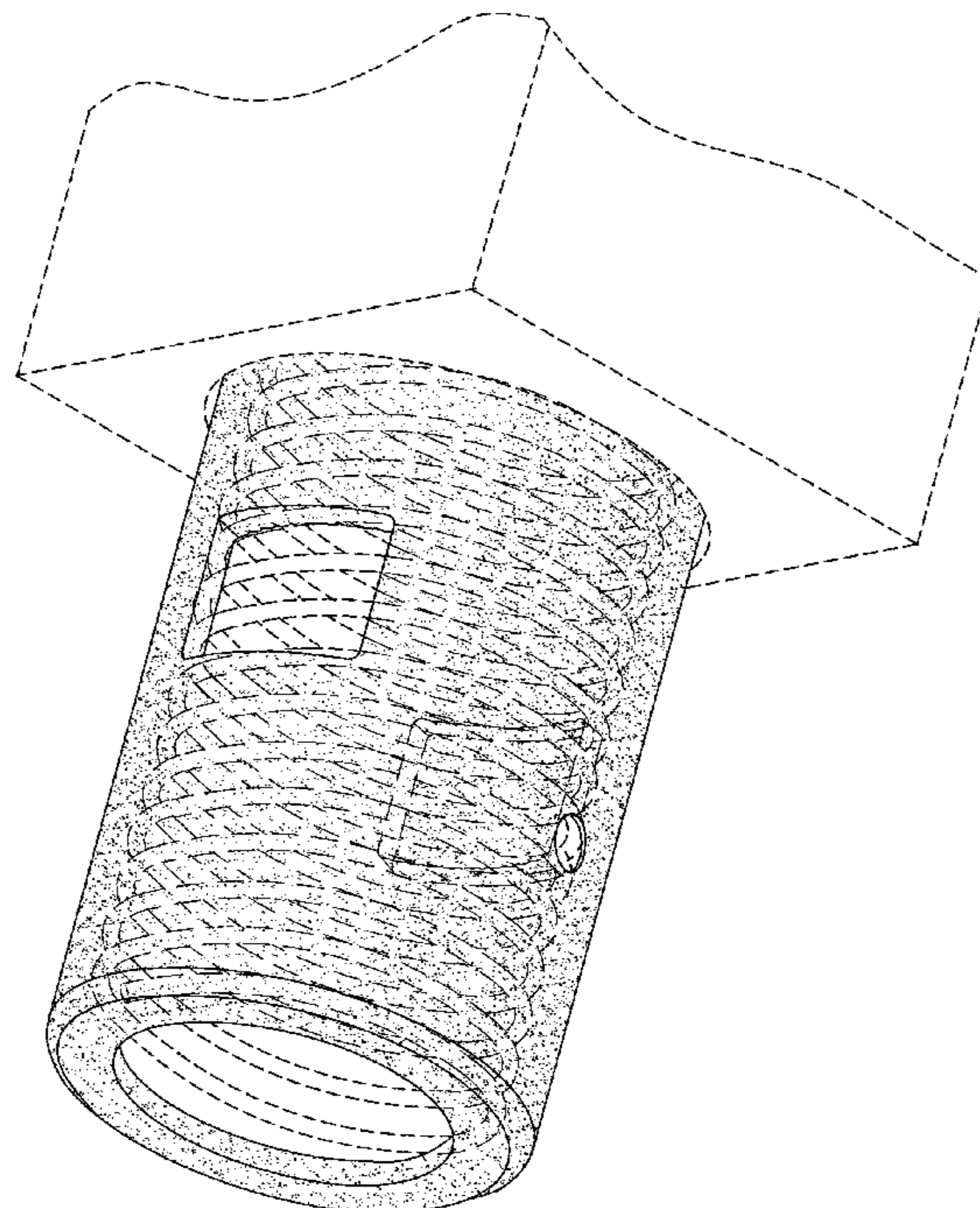
(57) **CLAIM**

The ornamental design for an injector shield, as shown and described.

**DESCRIPTION**

FIG. 1 is a perspective view of an injector shield, showing our new design;  
FIG. 2 is a side view thereof;  
FIG. 3 is a front view thereof;  
FIG. 4 is a rear view thereof;  
FIG. 5 is side view thereof;  
FIG. 6 is a bottom view thereof; and,  
FIG. 7 is a perspective view thereof.  
The broken lines in FIGS. 1-7 are for the purpose of illustrating environmental structure and form no part of the claimed design.  
Stippling is used in FIGS. 1-7 to indicate a frosted, translucent appearance.

**1 Claim, 7 Drawing Sheets**



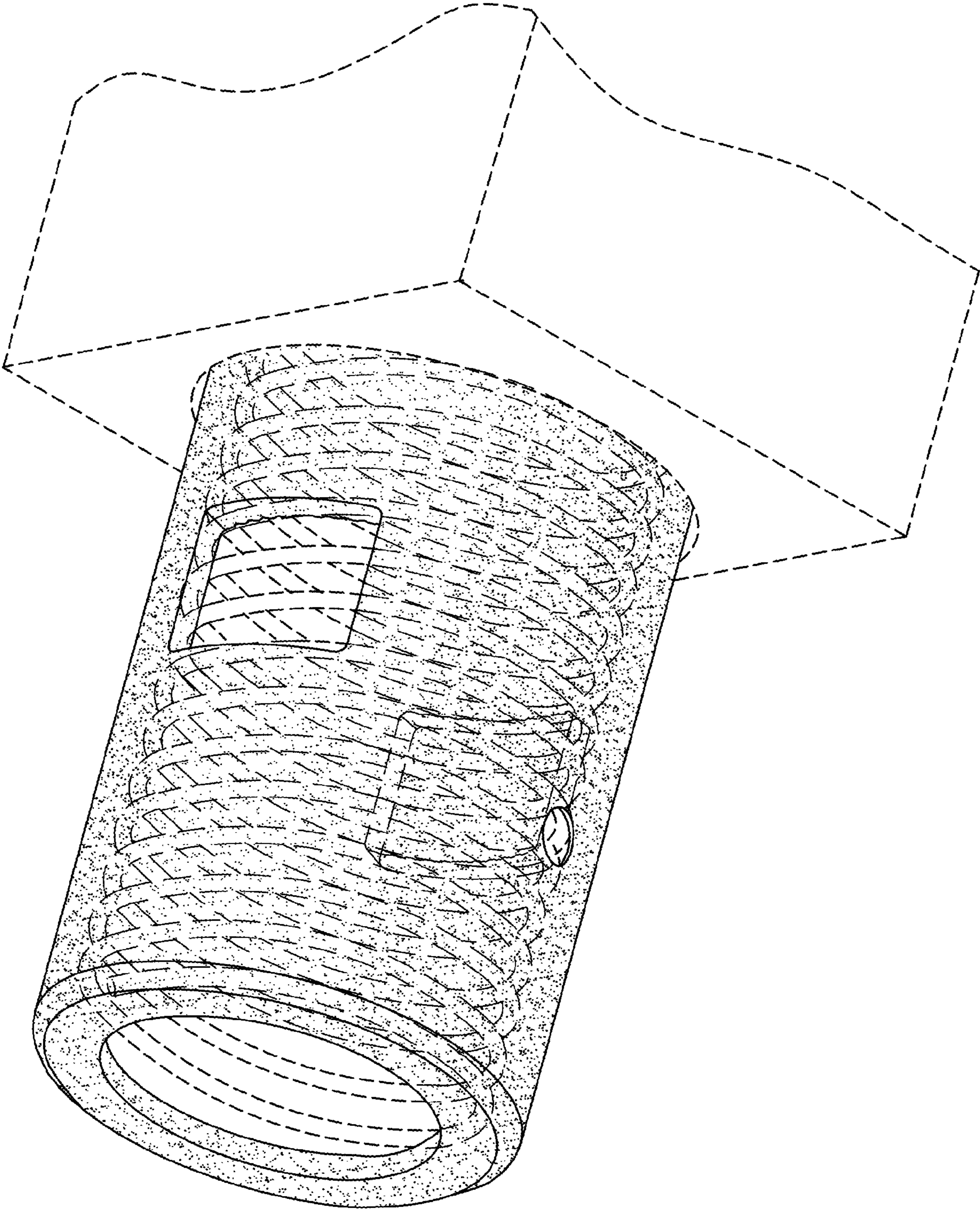


FIG. 1

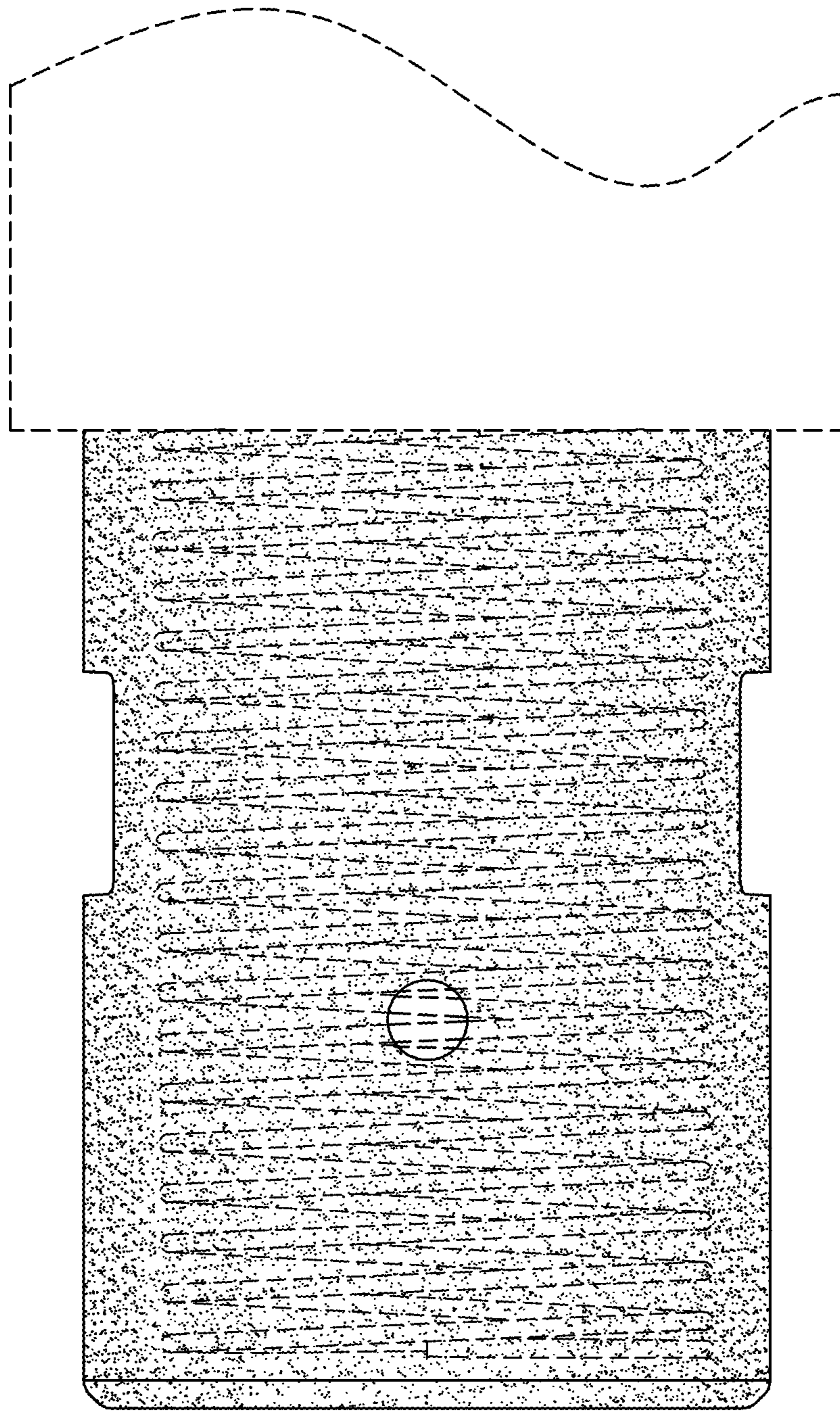


FIG. 2

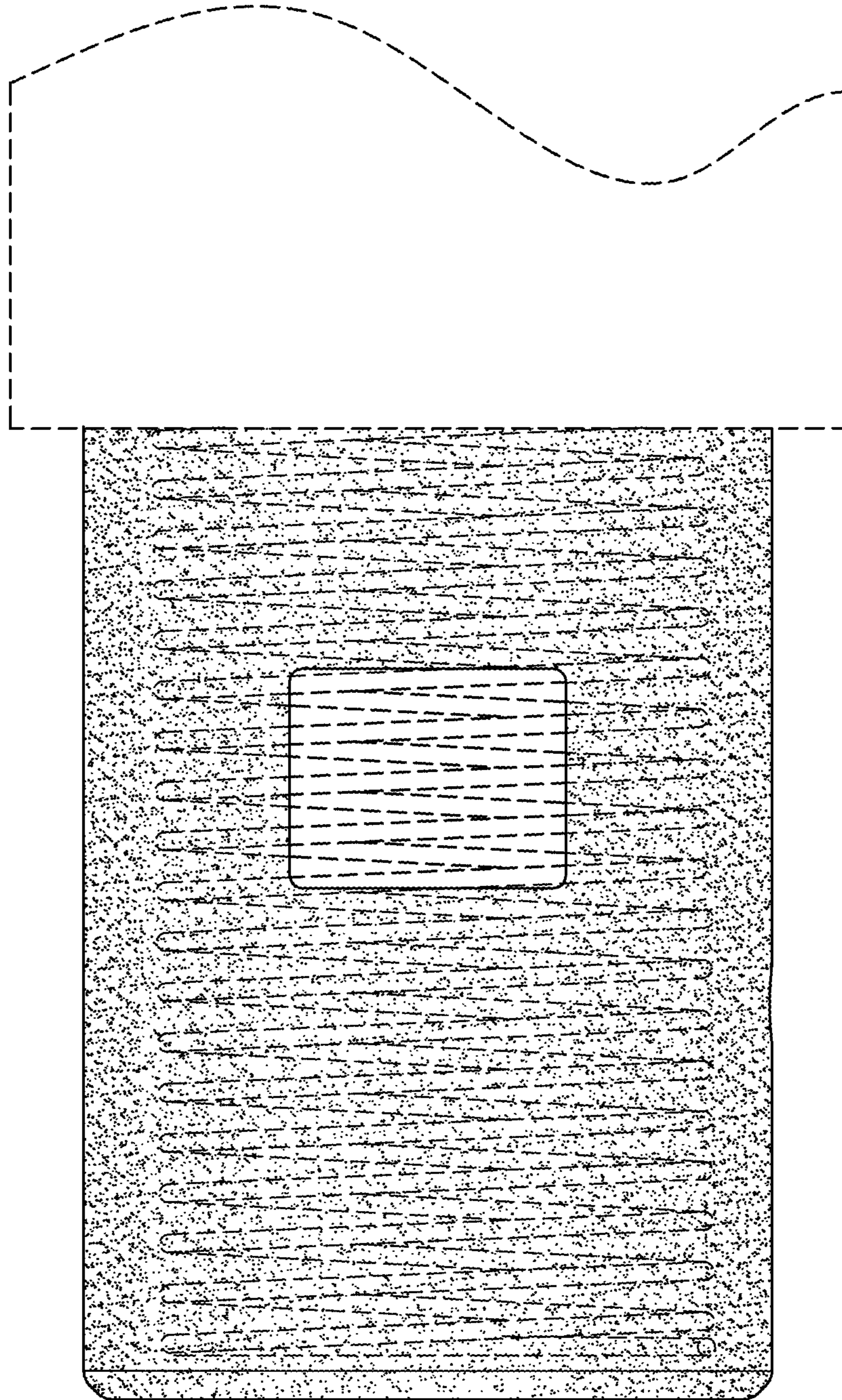


FIG.3

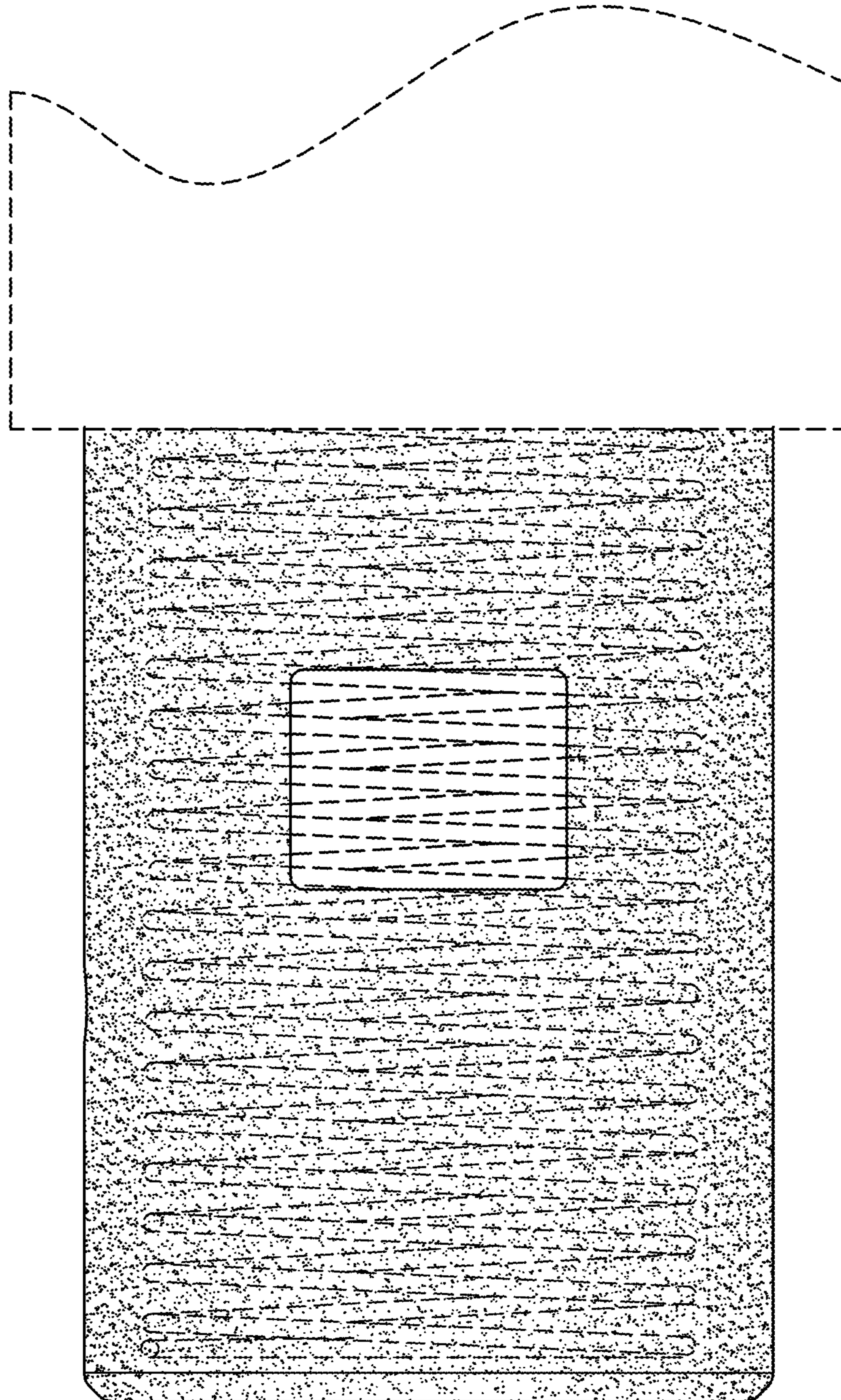


FIG. 4

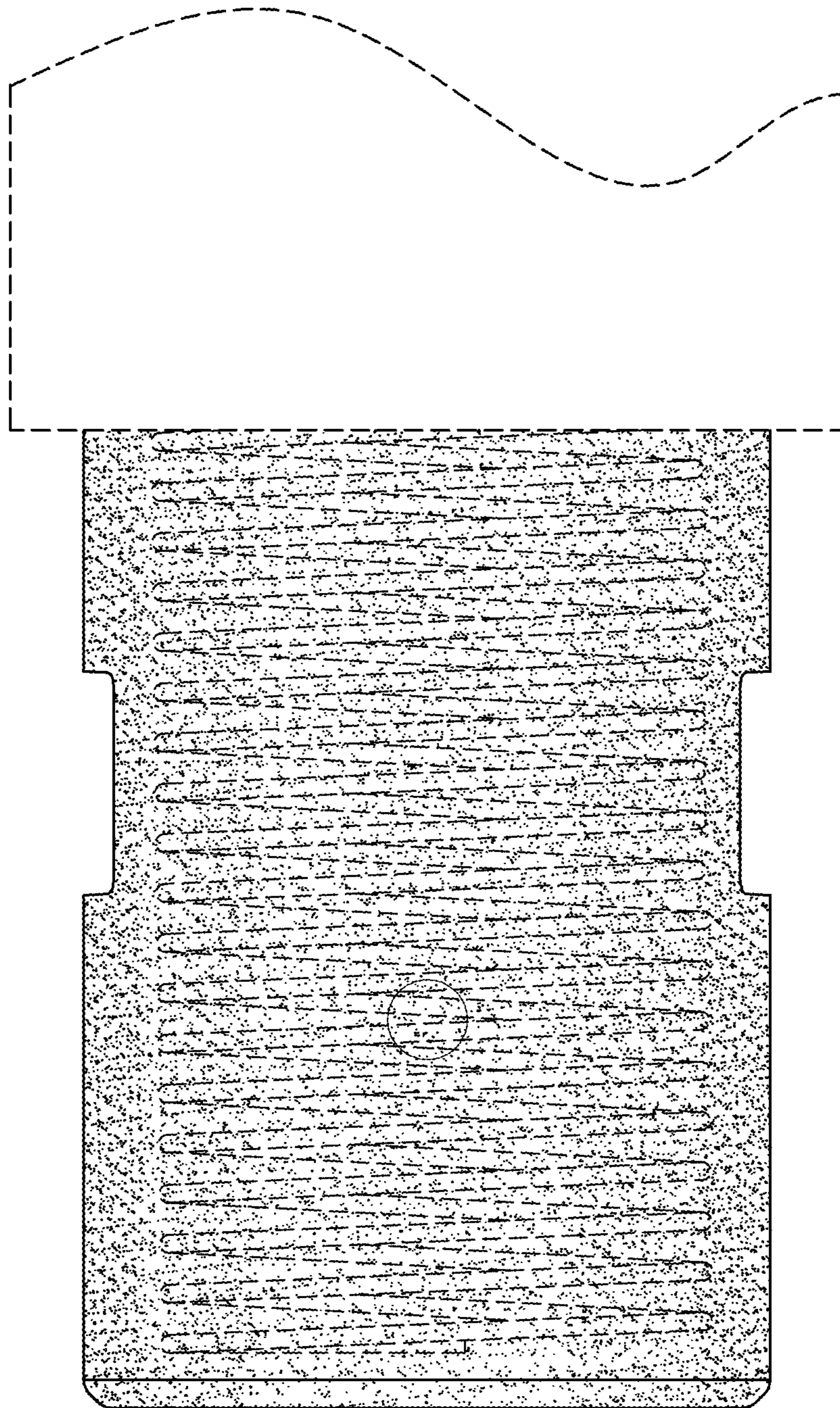


FIG. 5

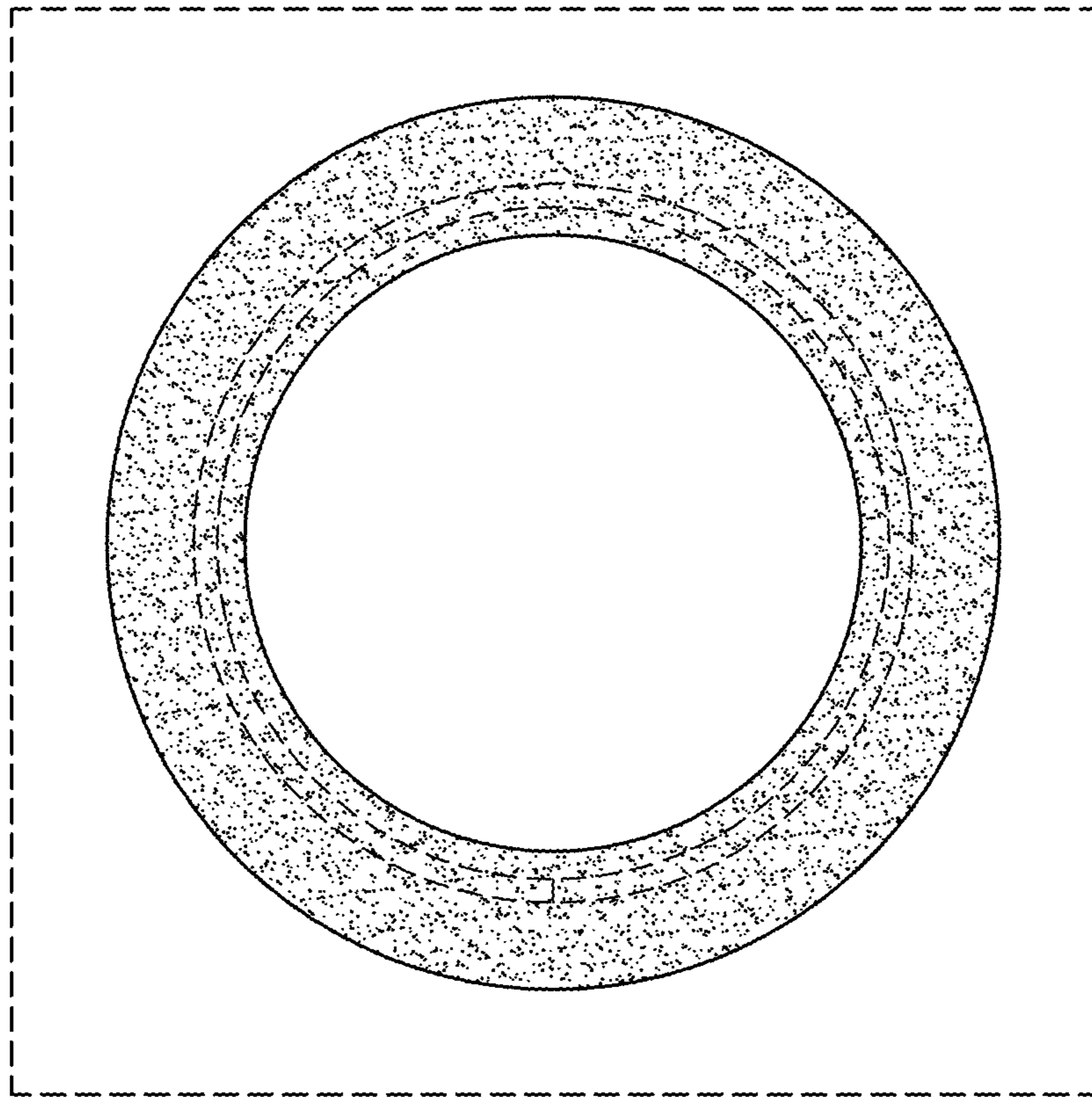


FIG.6

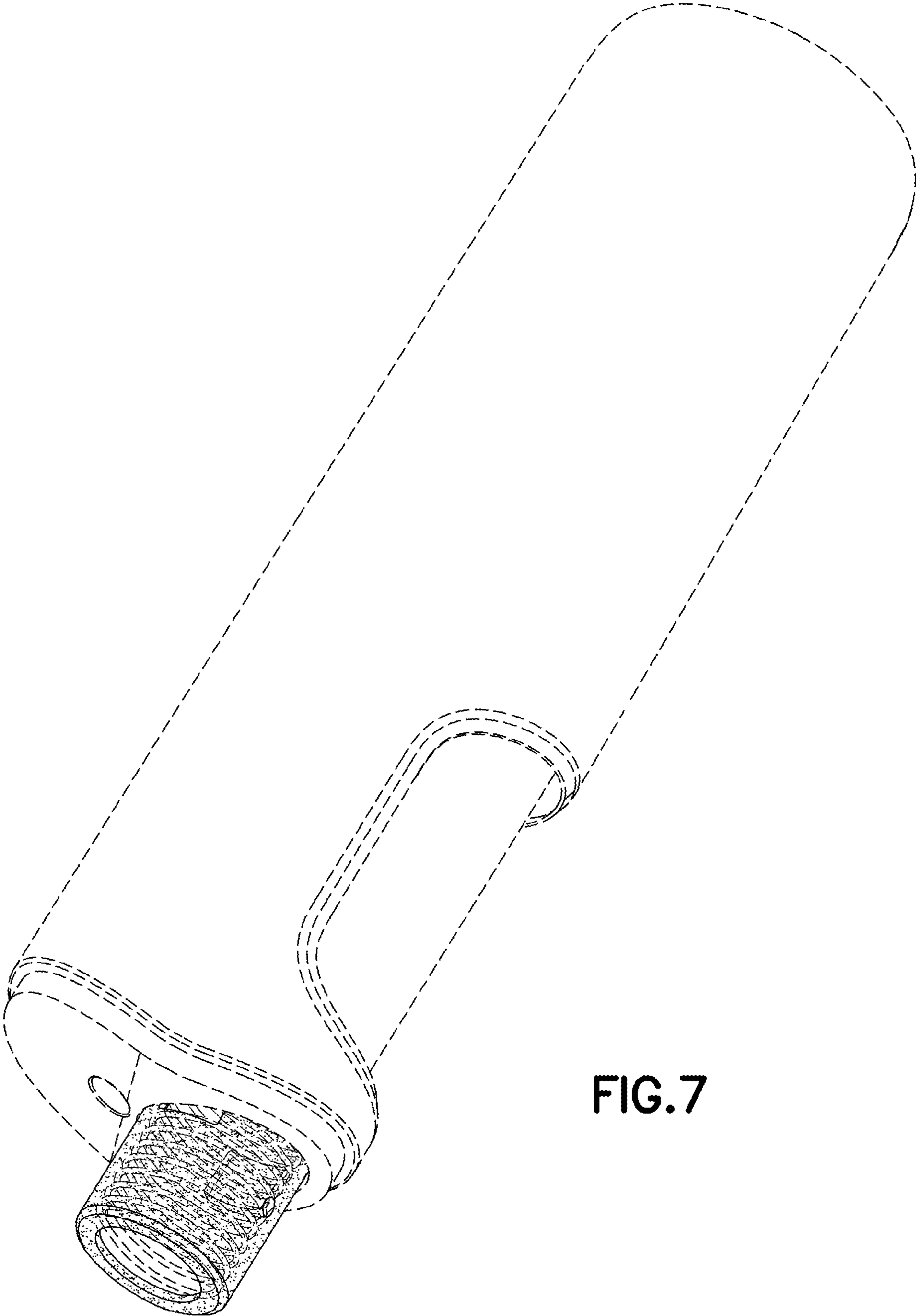


FIG. 7